

## Single-use bioreactors

# HyPerforma 5:1 500 L Single-Use Bioreactor

### Introduction

The Thermo Scientific™ HyPerforma™ Single-Use Bioreactor (S.U.B.) provides state-of-the-art functionality, ease of use, and efficiency. A complete HyPerforma S.U.B. system consists of a bioreactor tank and a HyPerforma S.U.B. BioProcess Container (BPC), which is available in 50, 100, 250, 500, 1,000, and 2,000 L sizes. The redesigned HyPerforma S.U.B. maintains traditional stirred-tank bioreactor design principles, including specific height-to-diameter ratios and an optimized mixer location, that deliver optimum performance, scalability, and cell viability from process development through production. Design is optimized for the 500 L bioreactor tank, which allows for mixing at a 5:1 turndown ratio. Advantages of the 5:1 system include:

- Streamlining bioprocesses by reducing seed vessel requirements and maximizing process vessel usage
- Seeding vessels at 20% volume, then feeding up to full volume
- Reducing cell transfers and associated adaptation
- Reducing the number of single-use BPCs used

This data sheet provides information on the HyPerforma 5:1 500 L S.U.B. system, which includes the tank and standard S.U.B. BPC. The BPC utilizes dual-sparger design for cultures at nominal volume and a cross-flow sparger strategically positioned just above the 20% liquid volume for seed cultures. Both sparge designs have been rigorously tested to provide high  $k_L a$  values and optimal CO<sub>2</sub> stripping for improved pH control and decreased foaming.

### The HyPerforma S.U.B. system consists of the following components:

- S.U.B. hardware unit—available in turnkey format
- Complete mixing system with water jacket
- Drive shaft—inserts into the S.U.B. BPC through the mixing drive motor and locks into the BPC agitator assembly



- S.U.B. BPC (gamma-irradiated and ready to use)—available in Thermo Scientific™ CX5-14 and Aegis™ 5-14 film options
- Agitator assembly—a single-use (polyethylene) impeller with a bearing and seal assembly linked to an external mixer drive
- Dual gas spargers—available with cross-flow and drilled-hole designs
- Vent filter outlet for system exhaust
- Integrally sealed ports in the S.U.B. BPC—allow for additional sensor probes and line sets

### System options (adaptable to your needs)

- Optional electrical box (E-Box) for remote agitation control
  - HyPerforma 5:1 S.U.B.s require a separate external temperature control unit
- Exhaust gas vent filter heaters
- Load cells
- Tubing and cable management tree
- Process control system

See the ordering information for auxiliary components for S.U.B. control management. Choose an open architecture approach or a turnkey “ready-to-use” HyPerforma S.U.B. system.

Additional options are listed in Tables 3–7.

### Standard HyPerforma 5:1 S.U.B. hardware units

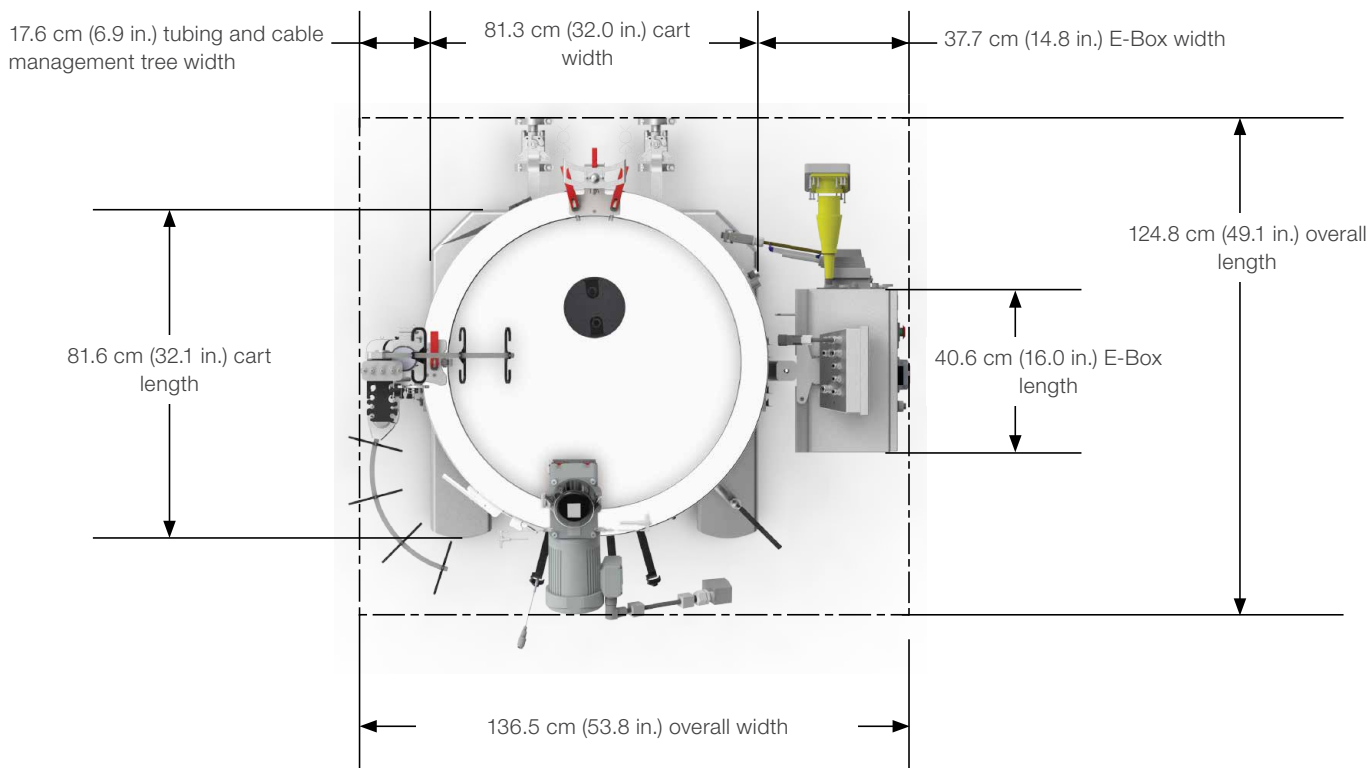
The 500 L standard 5:1 S.U.B. hardware units are available in the configurations below.

- 500 L jacketed S.U.B. with a 5:1 turndown ratio, AC motor, no E-box, and load cells without display
- 500 L jacketed S.U.B. with a 5:1 turndown ratio, AC motor, 240 VAC, E-box, and analog load cells

**Table 1. 500 L standard 5:1 S.U.B. hardware unit with casters (leveling feet).**

Description	Cat. No.
500 L jacketed S.U.B. with a 5:1 turndown ratio, AC motor, 120 VAC, no E-box, and analog load cells	SUB0250.8300
500 L jacketed S.U.B. with a 5:1 turndown ratio, AC motor, 240 VAC, E-box, and analog load cells	SUB0250.8302

### Hardware dimensions



**Figure 1. 500 L S.U.B. dimensions (top view).**

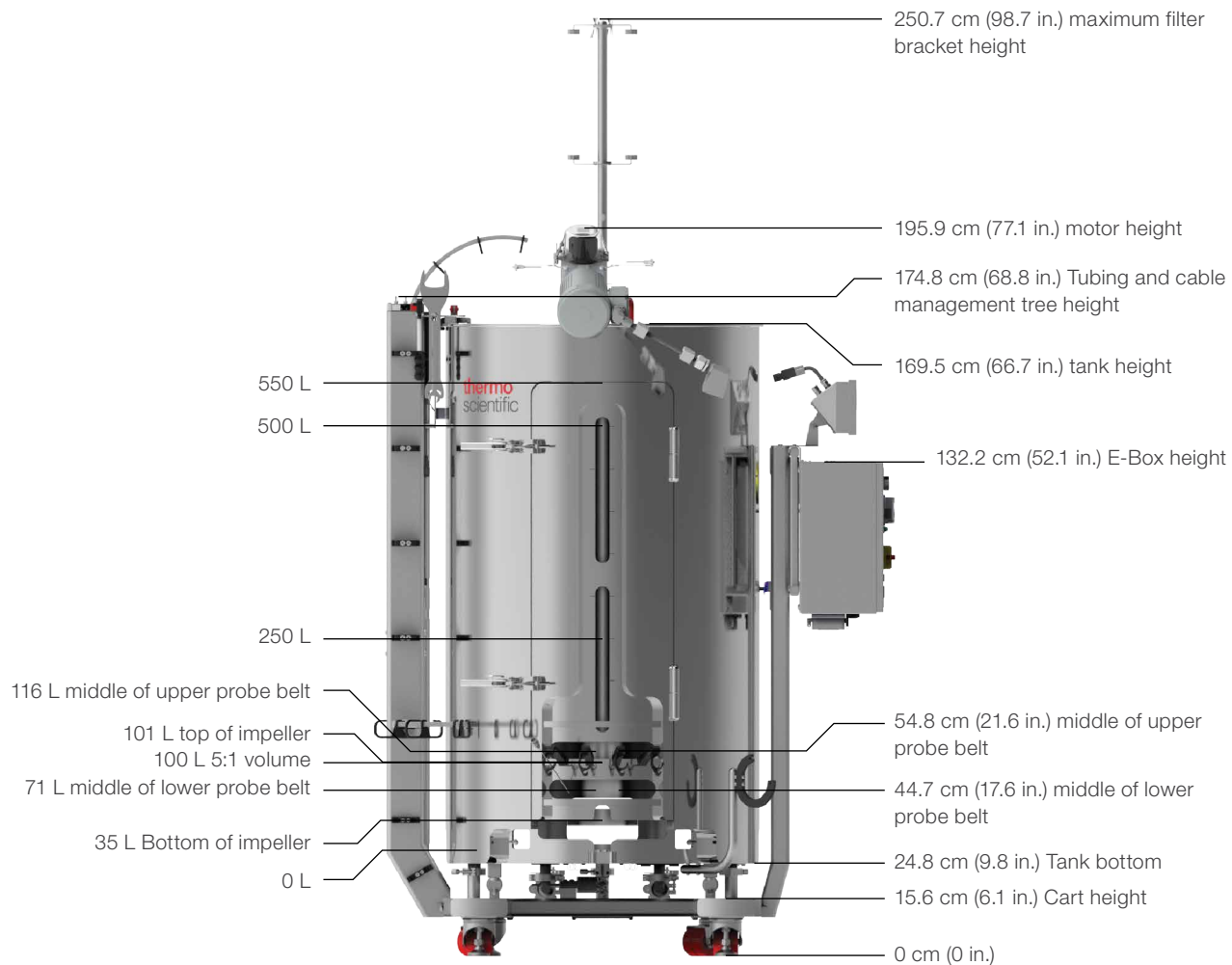
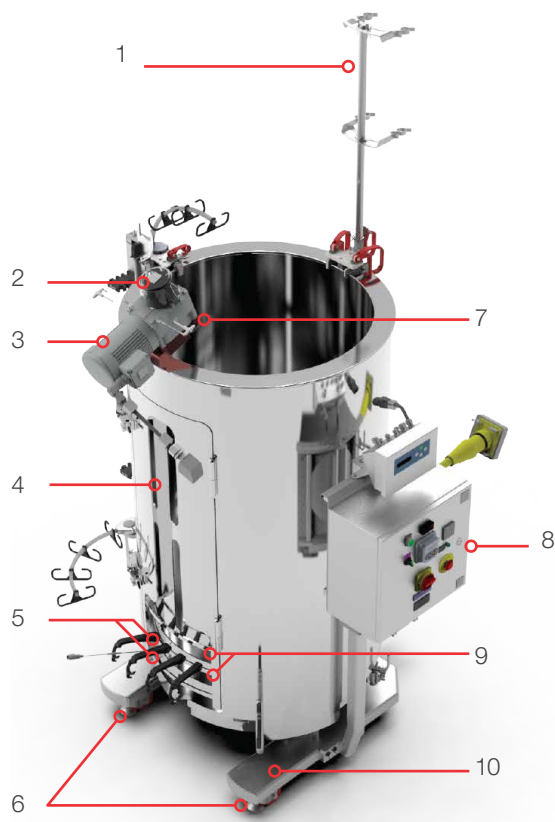


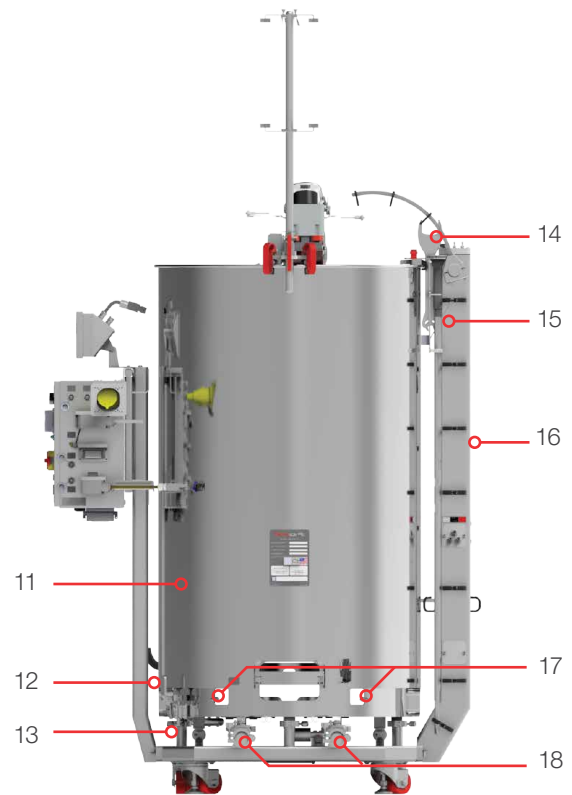
Figure 2. 500 L S.U.B. dimensions (front view).

## Design features

1. Exhaust vent filter holder
2. Mixing assembly with shield
3. Mixer motor
4. BPC loading door (500 L and larger only) and liquid sight windows
5. Probe hanger bracket
6. Leveling casters
7. Bearing port receiver with clamp
8. Electrical control panel (E-Box), optional
9. Probe access windows
10. Cart assembly
11. 304 Stainless steel outer support container with 0.95 cm (3/8 in.) dimpled jacket
12. Bleed valve
13. Load cells (3)
14. Standard tool set: 10 mm (3/8 in.) x 16.9 N-m (150 in.-lb) square torque wrench, load cell and motor cap lockout wrench
15. Drive shaft, stored (2-piece)
16. Tubing and cable management tree
17. Bottom cutouts/pins for BPC attachment/alignment
18. Tri-clamp water inlet/outlet ports



Front view



Back view

Figure 3. 1,000 L 5:1 S.U.B. hardware unit.

**Table 2. Standard 500 L S.U.B. system specifications.**

		AC motor	DC motor
<b>Bioreactor geometry</b>	Rated liquid working volume	500 L	
	Minimum liquid working volume	100 L	
	Total reactor volume (liquid and gas)	660 L	
	BPC chamber diameter	75.56 cm (29.75 in.)	
	BPC chamber shoulder height	152.4 cm (60 in.)	
	Liquid height at rated working volume	113.36 cm (44.63 in.)	
	Fluid geometry at working volume (height:diameter ratio)	1.5:1	
	Overall reactor geometry (height:diameter ratio)	1.9:1	
	Tank baffles	No	
<b>General</b>	Ceiling height required for drive shaft loading	282.19 cm (111.1 in.)	
	Electrical power supply requirement (voltage, phase, current)	120/240 VAC, single, 20/10 A	Dependent on controller
	pH and dissolved oxygen (DO) probe, autoclavable type	12 mm diameter x 215-235 mm insertion length x 13.5 PG (pipe) thread	
	Noise level	<70 dB at 1.5 m	
<b>Impeller</b>	Impeller (quantity x blade count)	1 x 3	
	Impeller scaling (impeller diameter/tank diameter)	1/3	
	Impeller blade pitch (angle)	45°	
	Impeller diameter	25.01 cm (9.85 in.)	
	Impeller, calculated power number (N)	2.1	
<b>Agitation</b>	Maximum mixing rate	150 rpm	
	Nominal agitation rating, power/volume ratio	20 W/m <sup>3</sup>	
	Nominal agitation, 20% working volume	59 rpm	
	Nominal agitation, 50% working volume	80 rpm	
	Nominal agitation, 100% working volume	101 rpm	
	Nominal tip speed	137.2 cm/s (270 ft/min)	
	Counterclockwise mixing flow direction	Down-pumping	
	Agitation shaft resolved angle	16.5°	
	Agitation shaft centerline offset	5.08 cm (2 in.)	
	Overall drive shaft length	155.7 cm (61.3 in.)	
	Drive shaft diameter	1.91 cm (0.75 in.)	
	Drive shaft poly-sheath outside diameter	2.54 cm (1 in.)	
Impeller clearance from tank bottom	7.62 cm (3 in.)		

**Table 2. Standard 500 L S.U.B. system specifications (continued).**

		AC motor	DC motor
<b>Motor</b>	Agitation motor drive (type, voltage, phase), AC motor only	Induction, 208 VAC, 3-phase	Brushless, 48 VDC, 3-Phase
	Motor power rating	372.8 W (0.5 hp)	400 W (0.268 hp)
	Motor torque rating	9.5 N-m (82 in.-lb)	22.48 N-m (199 in.-lb)
	Gear reduction	10:1	20:1
	Programmable VFD, remote panel interface, power fault auto restart	Standard	–
	Motor communication methods (for external controller)	0–10 V, 4–20 mA, Modbus	–
<b>Temperature control</b>	Jacket area: full/half volume	1.9 m <sup>2</sup> (21.4 ft <sup>2</sup> )/0.8 m <sup>2</sup> (8.4 ft <sup>2</sup> )	
	Jacket volume	15.2 L	
	Jacket flow rate at 3.4 bar (50 psi)	136 L/min	
	Process connection	1.5 in. sanitary tri-clamp	
	Nominal heating/cooling load	5,000 W	
	Approximate liquid heat-up time (5–37°C), 20% volume	1.1 hr	
	Approximate liquid heat-up time (5–37°C), 100% volume	2.2 hr	
Resistance temperature detector (RTD) or thermocouple, 3.18 mm (1/8 in.) OD	RTD: Pt-100 (standard)		
<b>Support container</b>	Overall width	136.5 cm (53.8 in.) with E-Box 98.8 cm (38.9 in.) without E-Box	
	Overall length	124.8 cm (479.1 in.)	
	Overall height	251.1 cm (98.9 in.)	
	Dry skid weight	354 kg (780 lb.)	
	Wet skid weight at rated working volume	853.8 kg (1882.3 lb.)	
<b>Recommended operating parameters</b>	Operating temperature range	Ambient to 40 ± 0.5°C (104 ± 0.9°F)	
	Motor speed	30–150 rpm	
	Volume range	100–500 L	
	Maximum bag pressure	0.03 bar (0.5 psi)	
	Continuous operating time	21 days mixing time at nominal volume only	

## System options

- **Bioreactor probe assembly** (Figure 4)—required for each sterile electrochemical probe insertion. New CPC AseptiQuik™ connector is used on probe assembly (Cat. No. SH30720.02) and mating probe belt on S.U.B. BPC for connection
- **Sparge line support** (Figure 5)—keeps gas lines in an upright position for optimal gas transfer
- **Heavy-duty tubing clamp** (Figure 6)—used for each probe port not in use, eliminating process fluid holdup
- **Autoclave tray for probe kits** (Figure 7)—aids in holding the probe assembly during the autoclave process
  - Additional information on autoclave tray:
    - Fabricated from stainless steel
    - Plastic carry handle for easy transport right out of the autoclave
    - Positions probes on 15% incline for greater probe/membrane longevity
    - Will restrain probe bellows from collapsing during sterilization
    - Probe holder accommodates two probes



Figure 4. Bioreactor probe assembly.



Figure 5. Sparge line support.



Figure 6. Heavy-duty tubing clamp.

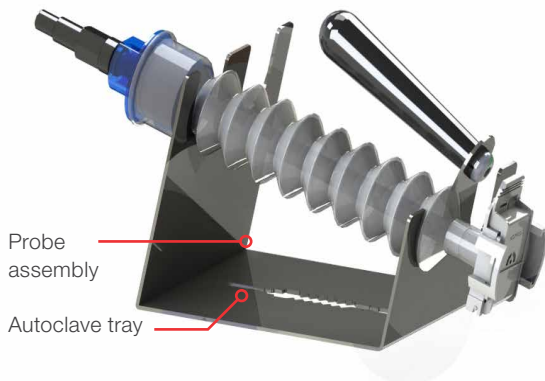


Figure 7. Autoclave tray for probe kits.

- **S.U.B. temperature sample port** (Figure 8)—provides *in situ* temperature monitoring during culture process
- **Load cells** (Figure 9)—Mettler Toledo™ Flexmount™ load cells allow for batch liquid-weight reading; three load cells are mounted with summing box on the S.U.B. hardware unit
- **Tubing and cable management tree** (Figure 10)—allows organization of the S.U.B. BPC tubing lines for operator ease of use
- **Sterile sampling manifolds**—available in 50 and 100 mL sizes for offline sample retention



Figure 8. S.U.B. temperature sample port.



Figure 9. Load cells.



Figure 10. Tubing and cable management tree.

Table 3. 500 L S.U.B. system options.

Description	Cat. No.
Tubing and cable management tree	SV50992.03
Load cell with summation box, without display	SV50988.03
Autoclave tray	SV50177.01
Bioreactor probe assembly with CPC AseptiQuik connector (nonsterile for use in autoclave)	SH30720.02
Sparge line support	SV50177B.19
Heavy-duty tubing clamp (1)	SV20664.01
Heavy-duty tubing clamp (10-pack)	SV20664.04
Sterile sampling manifold with luer lock (1)	SH30845.01
Sterile sampling manifold with luer lock (10-pack)	SH30845.02
S.U.B. temperature/sample port	SV20750.01
PendoTECH™ pressure sensor	SH31134.01
Hamilton™ pressure sensor	SH31134.02



## Vent heaters

Vent heaters aid in reducing moisture buildup in exhaust filters from system off-gassing. Vent heaters are factory-preset at 50°C, allowing for condensation to return to the vessel. Recommended gassing strategies of the S.U.B. system are in the S.U.B. Validation Guide (DOC0023). Table 4 lists available vent heaters.

**Table 4. Vent heater required for each exhaust filter on S.U.B. BPC.**

Description	Cat. No.
120 VAC, 99.6 W, Meissner™ 10 in. series 46 vent filter heater, preset temperature bulb, IEC 320 C14	SV50191.33
240 VAC, 99.6 W, Meissner 10 in. series 46 vent filter heater, preset temperature bulb, IEC 320 C14	SV50191.34
120 VAC, 99.6 W, Meissner 10 in. series 46 vent filter heater, integrated, M12–4 pin connector*	SV50191.47
240 VAC, 99.6 W, Meissner 10 in. series 46 vent filter heater, integrated, M12–4 pin connector*	SV50191.48
120 VAC, 23.8 W, Pall™ Kleenpak™ KA3 series 46 vent filter heater, preset temperature bulb, IEC 320 C14	SV50191.31
240 VAC, 30.3 W, Pall Kleenpak KA3 series 46 vent filter heater, preset temperature bulb, IEC 320 C14	SV50191.32
120 VAC, 23.8 W, Pall Kleenpak KA3 series 46 vent filter heater, integrated, M12–4 pin connector*	SV50191.45
240 VAC, 30.3 W, Pall Kleenpak KA3 series 46 vent filter heater, integrated, M12–4 pin connector*	SV50191.46

\* Requires integration to a third party controller, which allows vent heater control through system HMI.

## Harsh mount load cell display

Required for remote weight readout from a Mettler Toledo summing box; various signal output options are provided for external control monitoring (Table 5). More information can be found in the Load Cell Data Sheet.



**Figure 11. Harsh mount load cell display.**

**Table 5. Harsh mount load cell display options.**

Description	Cat. No.
Mettler Toledo IND331 display, with analog interface (STD), 120 VAC U.S. line cord/plug	SV50177.306
Mettler Toledo IND331 display, with Allen- Bradley™ RIO interface, 120 VAC U.S. line cord/plug	SV50177.307
Mettler Toledo IND331 display, with DeviceNet interface, 120 VAC U.S. line cord/plug	SV50177.308
Mettler Toledo IND331 display, with ethernet/IP and Modbus TCP interface, 120 VAC U.S. line cord/plug	SV50177.309
Mettler Toledo IND331 display, with Profibus interface, 120 VAC U.S. line cord/plug	SV50177.310

## Spare parts

Table 6 lists the available spare parts of the 500 L S.U.B. systems. Spare parts are for standard reference only; configured S.U.B. tank drawings will be provided with a spare parts list specific to the S.U.B. tank ordered.

**Table 6. Available spare parts.**

Description	Cat. No.
DC motor	SV50237.22
AC motor	SV50237.18
Drive shaft	SV50959.12
RTD 304.8 cm (120 in.) with Bulgin connector	SV50177.363
Standard probe holders	SV50177.23
Improved, adjustable probe holders	SV51274.01
Autoclave tray for probe kit (Stainless steel with plastic carry handle)	SV50177.01
Adjustable filter bracket	SV50177.313

## 500 L standard 5:1 S.U.B. BPC systems

Table 7 shows the available standard 500 L S.U.B. BPC system options with drilled-hole, cross-flow, and overlay spargers. Standard S.U.B. BPC packaging is shown in Table 8.

**Table 7. 500 L standard 5:1 S.U.B. BPCs.**

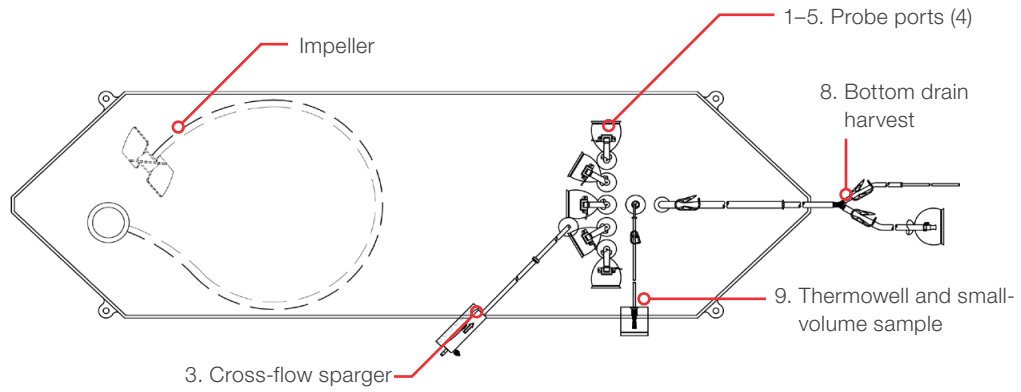
Film	Cat. No.
CX5-14 film	SH31076.01
Aegis5-14 film	SH31077.01

**Table 8. 500 L standard 5:1 S.U.B. BPC packaging.**

	Description
<b>Outer packaging</b>	Supplied flat-packed Two polyethylene outer layers
<b>Label</b>	Description Product code Lot number Expiration date on outer packaging and shipping container
<b>Sterilization</b>	Irradiation (25–40 kGy) inside outer packaging
<b>Shipping container</b>	Durable cardboard carton
<b>Documentation</b>	Certificate of Analysis provided with each lot for delivery

## BPC features

### Front face



### Back face

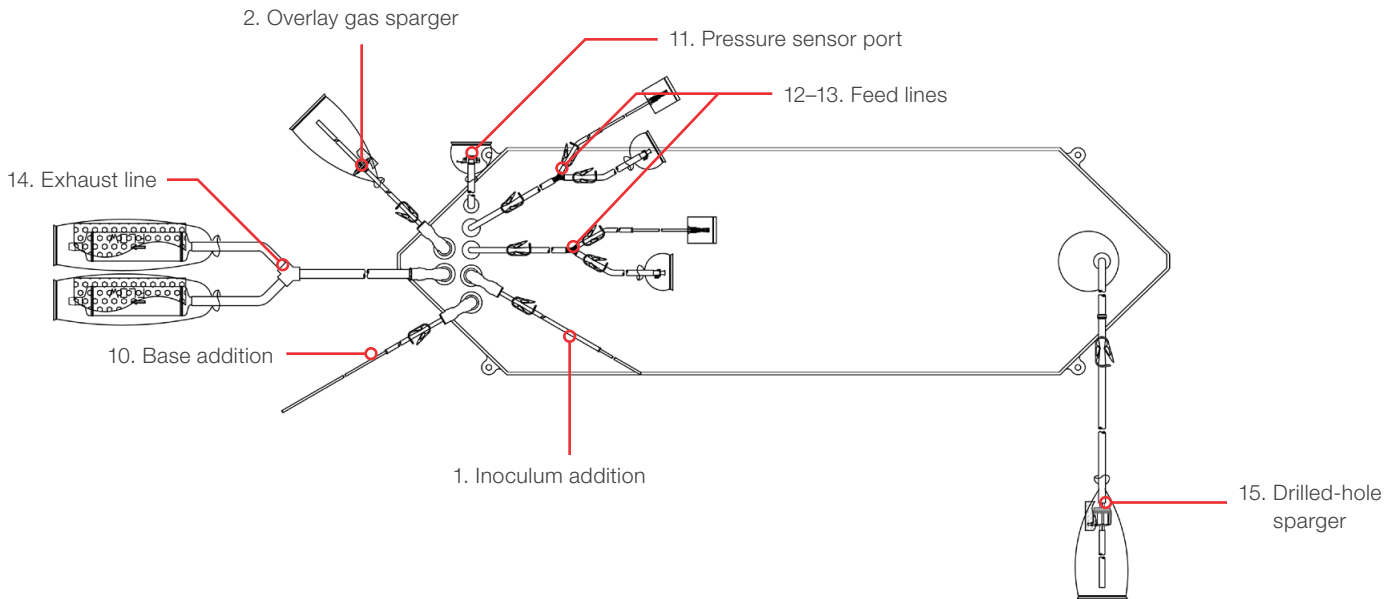


Figure 12. Standard 500 L 5:1 S.U.B. BPC.

**Table 9. 500 L standard 5:1 S.U.B. BPC specifications.**

Item	Description	Tubing set (inner diameter x outer diameter x length)	End treatment
1–5.	Probe ports (4)	12.7 mm (1/2 in.) tube ports	CPC AseptiQuik aseptic connectors
6.	Bottom drain harvest	12.7 mm x 19.1 mm x 152 cm (1/2 in. x 3/4 in. x 60 in.) C-Flex tubing reduced to 9.5 mm x 15.9 mm x 30 cm (3/8 in. x 5/8 in. 12 in.) C-Flex tubing; splits to 6.4 mm x 11.1 mm x 30 cm (1/4 in. x 7/16 in. x 12 in.) C-Flex tubing reduced to 3.2 mm x 6.4 mm x 30 cm (1/8 in. x 1/4 in. x 12 in.) C-Flex tubing and 9.5 mm x 15.9 mm x 30 cm (3/8 in. x 5/8 in. x 12 in.) C-Flex tubing	Plugged 9.5 mm (3/8 in.) MPC insert
7.	Cross-flow sparger	6.4 mm x 11.1 mm x 8 cm (1/4 in. x 7/16 in. x 3 in.) C-Flex tubing connected to check valve and 6.4 mm x 11.1 mm x 183 cm (1/4 in. x 7/16 in. x 72 in.) C-Flex tubing	Meissner Steridyne™ 50 mm filter
8.	Thermowell and small-volume sample	Thermowell adapter for 6.4 mm (1/4 in.) diameter 3.2 mm x 6.4 mm x 46 cm (1/8 in. x 1/4 in. x 18 in.) C-Flex tubing	SterilEnz™ pouch with injection site assembly
9.	Exhaust line	19.1 mm x 25.4 mm x 30 cm (3/4 in. x 1 in. x 12 in.) C-Flex tubing splits to 19.1 mm x 25.4 mm x 15 cm (3/4 in. x 1 in. x 6 in.) and 19.1 mm x 25.4 mm x 15 cm (3/4 in. x 1 in. x 6 in.) C-Flex tubing	Meissner Ultra Cap 0.2 µm exhaust filters
10.	Overlay gas sparger	6.4 mm x 11.1 mm x 15 cm (1/4 in. x 7/16 in. x 6 in.) C-Flex tubing	Hydrophobic vent filter with Emflon™ II membrane, connected to 15 cm (6 in.) C-Flex tubing
11.	Pressure sensor port	12.7 mm x 19.1 mm x 8 cm (1/2 in. x 3/4 in. x 3 in.) C-Flex tubing	CPC AseptiQuik aseptic connector
12–13.	Feed lines	9.5 mm x 15.9 mm x 213 cm (3/8 in. x 5/8 in. x 84 in.) C-Flex tubing; splits to 6.4 mm x 11.1 mm x 30 cm (1/4 in. x 7/16 in. x 12 in.) C-Flex tubing reduced to 3.2 mm x 6.4 mm x 30 cm (1/8 in. x 1/4 in. x 12 in.) C-Flex tubing and 9.5 mm x 15.9 mm x 30 cm (3/8 in. x 5/8 in. x 12 in.) C-Flex tubing	SterilEnz pouch with injection site assembly and 9.5 mm (3/8 in.) MPC body
14.	Base addition	6.4 mm x 11.1 mm x 213 cm (1/4 in. x 7/16 in. x 84 in.) C-Flex tubing reduced to 3.2 mm x 6.4 mm x 30 cm (1/8 in. x 1/4 in. x 12 in.) C-Flex tubing	Plugged
15.	Inoculum addition	6.4 mm x 11.1 mm x 15 cm (1/4 in. x 7/16 in. x 6 in.) C-Flex tubing reduced to 3.2 mm x 6.4 mm x 213 cm (1/8 in. x 1/4 in. x 84 in.) C-Flex tubing	Plugged
16.	Drilled-hole sparger, 8.9 cm (3.5 in.) disk with 360 x 0.178 mm (0.007 in.) holes	6.4 mm x 11.1 mm x 8 cm (1/4 in. x 7/16 in. x 3 in.) C-Flex tubing connected to check valve and 6.4 mm x 11.1 mm x 97 cm (1/4 in. x 7/16 in. x 38 in.) C-Flex tubing	Kleenpak™ with Emflon™ II membrane 0.2 µm hydrophobic filter connected to 15 cm (6 in.) C-Flex tubing

## BPC options

Table 10 lists available custom 500 L S.U.B. BPC system options. Not all options are available for all ports. For additional information, please see the selection guides in the S.U.B. BPC catalog.

**Table 10. Custom 500 L S.U.B. BPC options.**

Category	Options/capability	Notes
<b>Tubing type</b>	Thermoplastic elastomers: C-Flex™, PharMed™, PharmaPure™ platinum-cured silicone PVC	More information is available in the component selection guide
<b>Tubing size</b>	Ranging from 0.318–2.54 cm (1/8–1 in.) ID, in customer-specified lengths	More information is available in the component selection guide
<b>Connectors</b>	Luers, quick connects, SIP connectors, tri-clamp, aseptic connectors, sterile connectors, steam-to, steam-through, sample ports, plugs, etc.	More information is available in the component selection guide
<b>Probe ports</b>	Additional ports: second row of four	The reusable probe port connection uses a Kleenpak connector only
<b>Disposable sensors</b>	Pressure sensor: PendoTECH™ DO and pH: Hamilton™ and PreSens™ pH: Mettler Toledo™	Choice of qualified sensors available
<b>Additional probe ports</b>	Limited engineer-to-order customization only	Qualified location on second row of probe ports only
<b>Port sizes</b>	Limited engineer-to-order customization only	Dependent on location in BPC and fit with hardware (e.g., 2.54 cm (1 in.) port on harvest line)
<b>Rearrangement of lines on existing ports</b>	Limited customization possible, e.g., moving sample/thermowell port to a probe tube port, or swapping overlay inlet line with supplement line	Dependent on location in BPC and fit with hardware
<b>Sparger</b>	Drilled-hole, cross-flow, and overlay spargers standard	Sparger locations are fixed
<b>Diptube lines</b>	Limited customization possible	Length cannot interfere with impeller and shaft
<b>Overlay and sparger line filters</b>	Filter options available from standard component library	Choice of qualified filters available
<b>Vent filters</b>	Standard is Pall or Meissner 0.2 µm exhaust vent filter	Filters must be compatible with available vent filter heater configurations
<b>Vent filter tubing length</b>	Extended filter height above the S.U.B. BPC is made-to-order	Must be compatible with a vent filter bracket option
<b>Filters on media and supplement inlets</b>	Limited engineer-to-order customization only; choice of filters used to sterilize incoming media or supplements is available	Choice of qualified filters available

## External controller options

The HyPerforma S.U.B. offers an open architecture or turnkey system. An open architecture system allows you to use any control system of your choice. The capital investment can be reduced by using a control system already utilized in your facility. A turnkey system is a ready-to-use, out-of-the-box system with a choice of dedicated controls from Thermo Fisher Scientific or Applikon. These systems work on DeltaV™, Allen Bradley™, or Siemens™ formats. Contact your local sales representative for more information.

## Ordering information

Product	Quantity	Cat. No
S.U.B. hardware unit	1 unit	SUB0500.8400
S.U.B. BPC CX5-14 film	1 unit	SH31076.01
S.U.B. BPC Aegis5-14 film	1 unit	SH31077.01
Bioreactor probe assembly with CPC AseptiQuik connector (nonsterile for use in autoclave)	12 units	SH30720.02
Heavy-duty tubing clamp	12 units	SV20664.01
Autoclave tray for autoclaving probe accessories	1 unit	SV50177.01

### Auxiliary components supporting the HyPerforma S.U.B. (supplied by end user or requested turnkey)

Product	Quantity	Purpose
Bioreactor control system	1	Necessary for feed strategies, gas flow, DO, and pH control
DO probe	*	Autoclavable probe (13 mm x 13.5 PG thread with 195–235 mm insertion length)
pH probe	*	Autoclavable probe (13 mm x 13.5 PG thread with 195–235 mm insertion length)
Sterile/aseptic connection	*	Tubing welder, steam-in-place, sterilizer, or laminar flow hood
Stand-alone peristaltic pump	*	Used for fluid transfer between line sets on the containers
Temperature control unit (TCU)	*	Necessary for temperature controls (not provided)

\* Quantity based on needs.

Learn more at [thermofisher.com/sub](https://thermofisher.com/sub)

thermo scientific

**For Research Use or Further Manufacturing. Not for diagnostic use or direct administration into humans or animals.**

© 2022 Thermo Fisher Scientific Inc. All rights reserved. All trademarks are the property of Thermo Fisher Scientific and its subsidiaries unless otherwise specified. Allen-Bradley is a trademark of Rockwell Automation, Inc. AseptiQuick is a trademark of Colder Products Company Corporation. C-Flex and PharMed are trademarks of Saint-Gobain. Hamilton is a trademark of Hamilton Company. Mettler Toledo is a trademark of Mettler-Toledo AG. PendoTECH is a trademark of PendoTECH. PharmaPure is a trademark of PharmaPure Tubing. Pall, Kleenpak, and Emflon are trademarks of Pall Corporation. SterilEnz is a trademark of PAW Bioscience Products, Inc. Steridyne is a trademark of Meissner Filtration Products, Inc. Specifications, terms, and pricing are subject to change. Not all products are available in all countries. Please consult your local sales representative for details. **EXT2081 0122**