



# iSeries Gas Analyzer Spare Parts Catalog

**iSeries Gas Analyzer Spare Parts Catalog**

October 2020



# Table of Contents

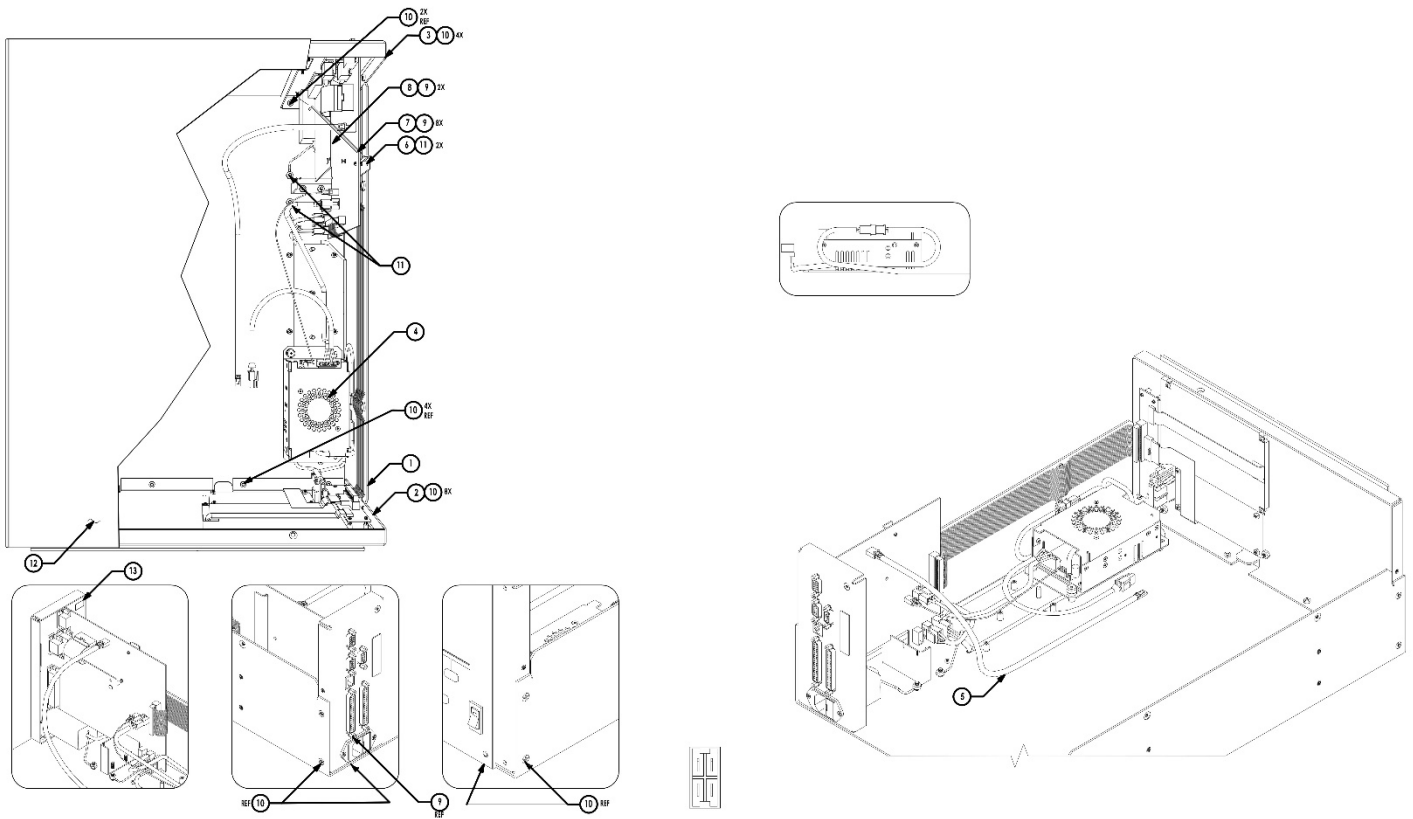
I-Series Common Electronics.....	
I-Series Common Front Panel.....	
I-Series Common Rear Panel.....	
42i Measurement Case.....	
42i Cooler/Reaction Chamber.....	
42i Reaction Chamber.....	
42i Converters.....	
42i Ozonator.....	
42i Permeation Oven Option.....	
42i Permeation Oven.....	
42i High Voltage Power Supply.....	
42i Flow Sensor.....	
42i Solenoid Valve.....	
42i Plumbing.....	
43i Optical Bench.....	
43i Hydrocarbon Kicker.....	
43i High Voltage Power Supply.....	
43i Solenoid Valves.....	
43i Plumbing – Standard Unit.....	
43i Plumbing – Zero/Span.....	
43i Plumbing – Permeation Oven.....	
48i Measurement Case.....	
48i Optical Bench.....	
48i Motor Assy.....	

# Table of Contents Continued

48i Zero Air Scrubber.....	.....
48i Plumbing – Zero Air Scrubber.....	.....
48i Plumbing – Oxygen Sensor.....	.....
49i Measurement Case.....	.....
49i Photometer Assy.....	.....
49i Ozonator Assy.....	.....
410i Measurement Case.....	.....
410i Optical Bench Assy.....	.....
410i Optical Block Assy.....	.....
410i Motor Assy.....	.....
410i Plumbing – Zero/Span.....	.....

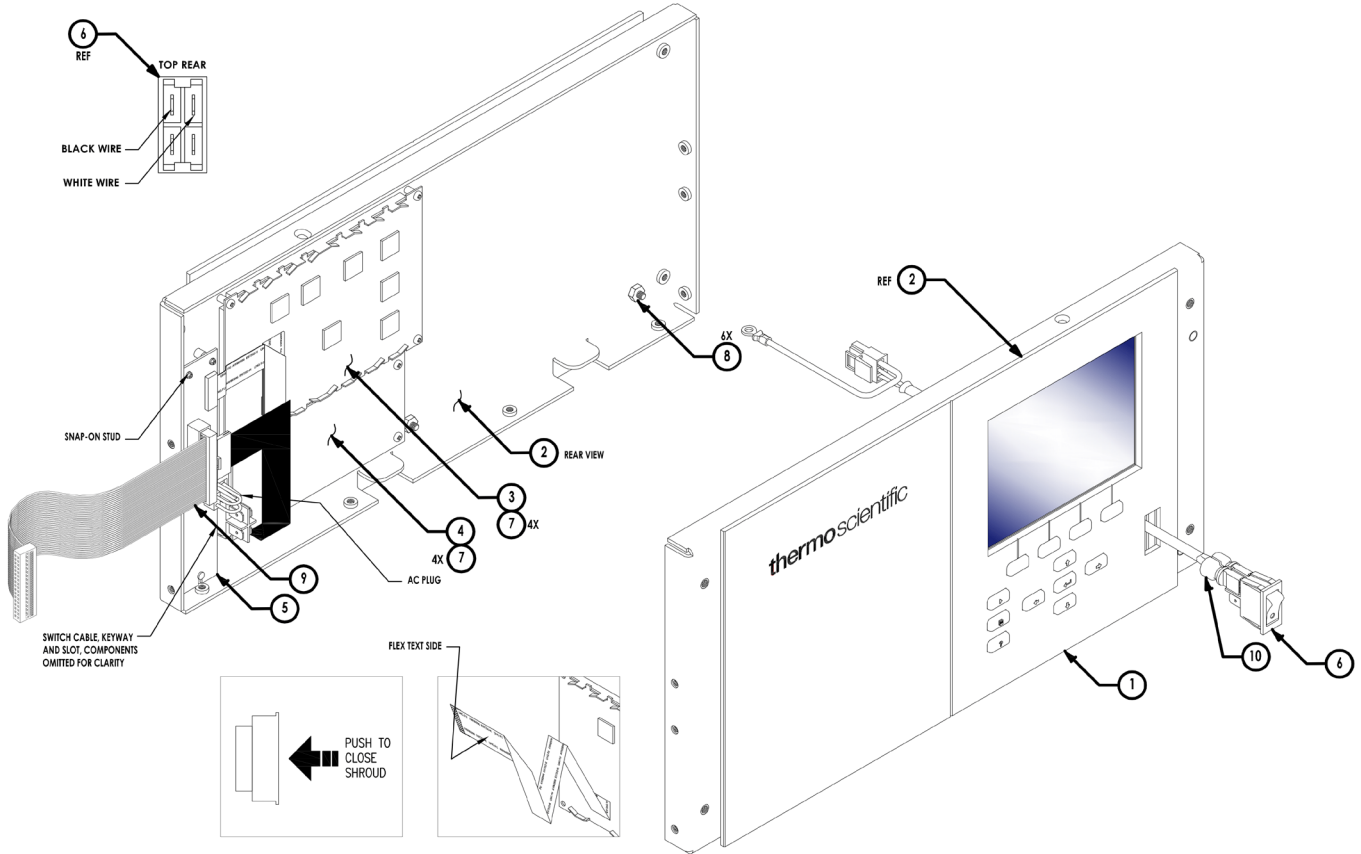


# I-Series Common Electronics



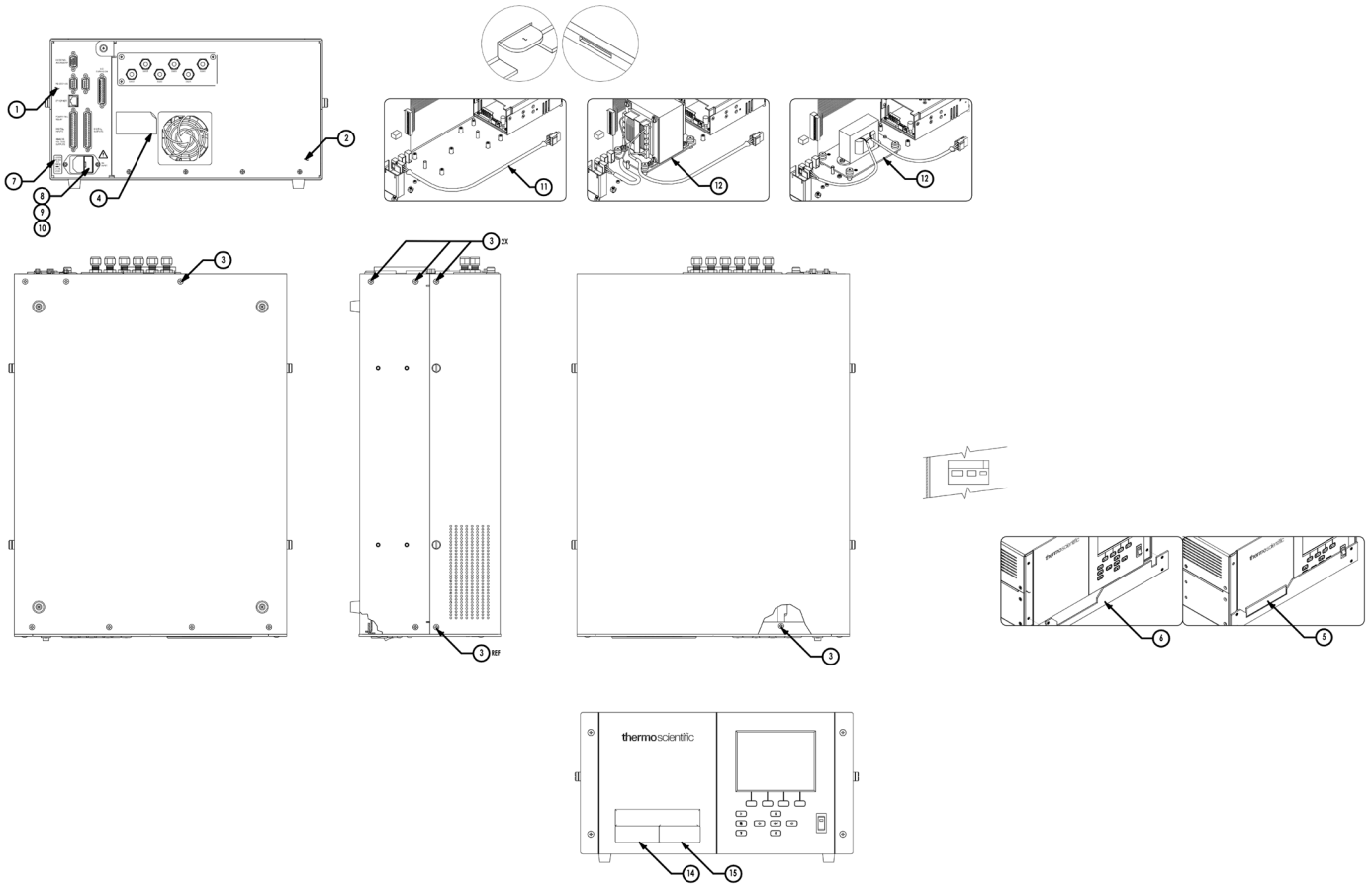
ITEM	DESCRIPTION	PART NO.	QTY	Component
1	Case Base	100460-00	1	Not Sellable
2	Assembly, Front Panel	101057-00	1	Spare Part
3	Assembly, Rear Panel	101056-00	1	Not Sellable
4	Assembly, Power Supply	101058-00	1	Not Sellable
5	Assembly, Cable Mother To Interface Board RS-485	101048-00	1	Spare Part
6	PCB Support	100487-00	1	Spare Part
7	Mother Board	109141-00	1	Spare Part
8	Digital Board	100539-00	1	Spare Part
9	Standoff, Lock Washer (2 Per Kit, Discard Washer, Nut)	40583201	5	Not Sellable
10	Screw, 8-32 x .25 LG, Flathead Phillips	101073-00	12	Not Sellable
11	Nut, Keps 8-32	8469	4	Not Sellable
12	Cover, Instrument	100463-00	1	Spare Part
13	CE Serial Label	111361-00	1	Not Sellable
14	Tie, Wraps	5385	3	Not Sellable

# I-Series Common Front Panel



ITEM	DESCRIPTION	PART NO.	QTY	Component
1	Front Panel	100464-00	1	Not Sellable
2	PANEL, FRONT SUPPORT FRAME	100469-00	1	Not Sellable
3	DISPLAY, LCD	102496-00	1	Spare Part
4	ASSY, KEYPAD MEMBRANE	100480-00	1	Spare Part
5	Connector Board	102340-00	1	Spare Part
6	Power Switch	12118	1	Spare Part
7	Screw, SEMS 4-40 x .1875 Long, Pan HD SS	101071-00	8	Not Sellable
8	Nut Keps 8-32	8469	6	Not Sellable
9	Assembly, Ribbon Cable	101054-00	1	Spare Part
10	Assembly, AC Switch To Mother Board Cable	101038-00	1	Spare Part

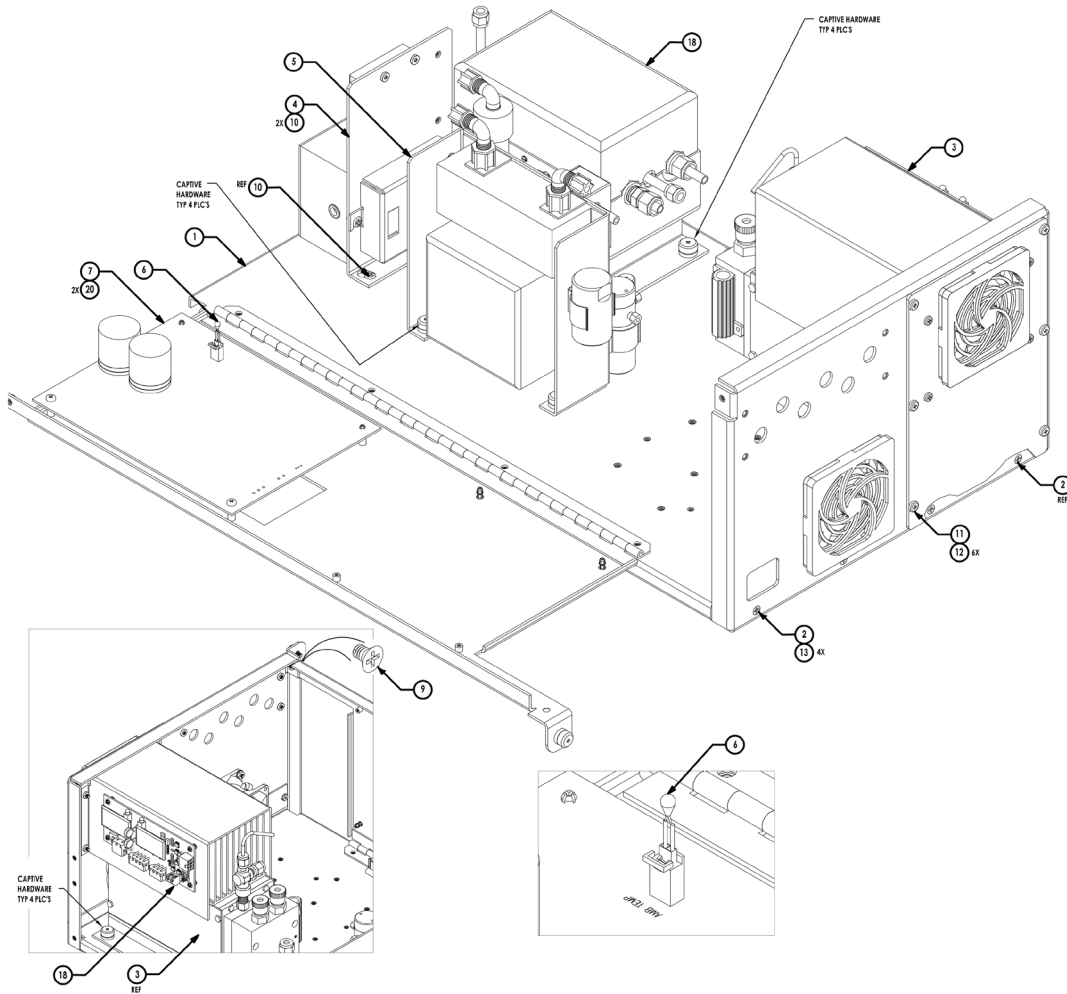
# I-Series Common Rear Panel



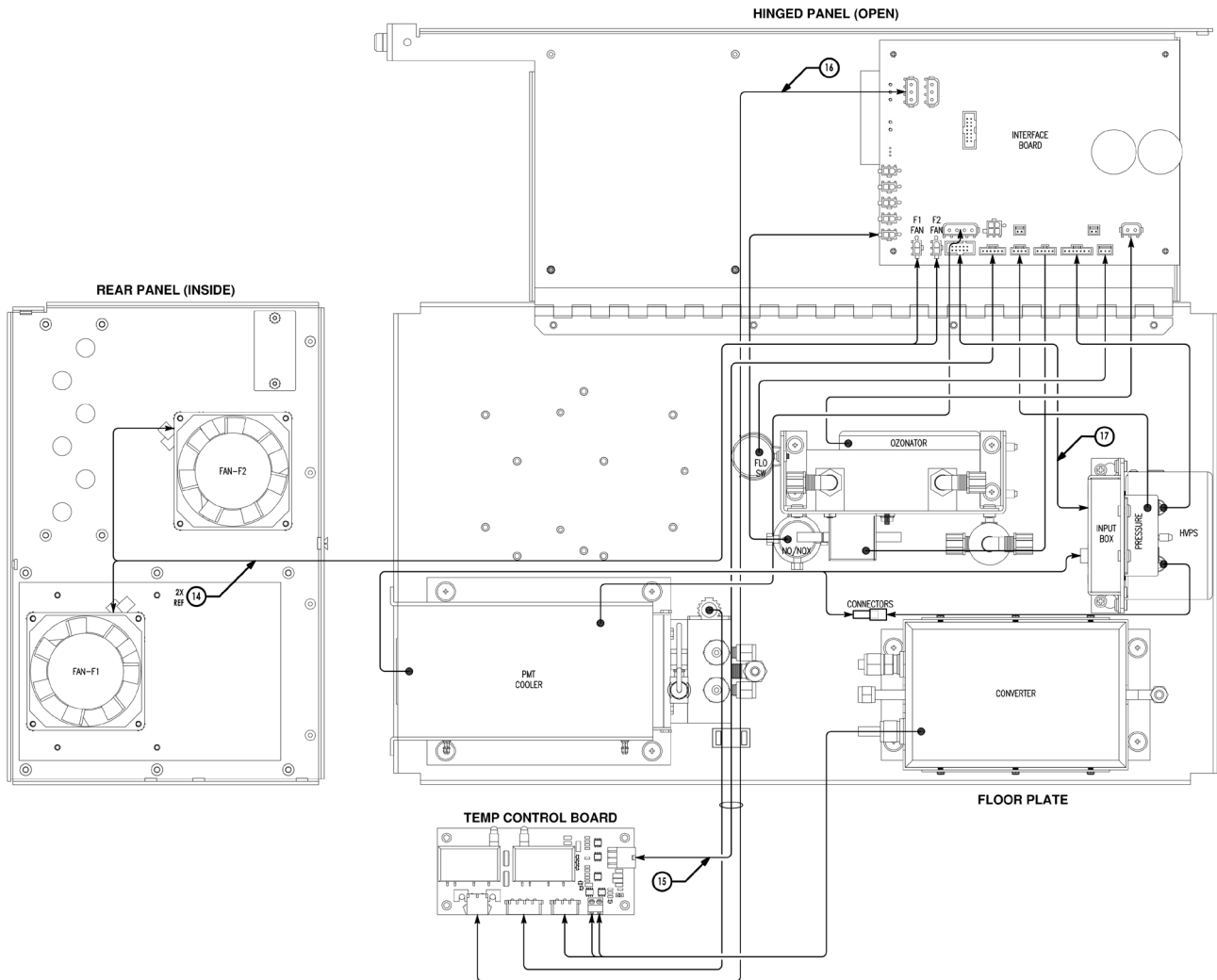
# I-Series Common Rear Panel BOM

ITEM	DESCRIPTION	PART NO.	QTY	Component
1	Assembly, Case Base +	112395-00	1	Not Sellable
2	Assembly, Measurement Case	xxx	1	Not Sellable
3	Screw, 8-32 x .25 Long PH Flat HD SS	101073-00	8	Not Sellable
4	Label, Serial No, Model Code	101843-00	1	Not Sellable
5	Label, Front Panel	xxx	1	Not Sellable
6	Jig, Front Panel Label Alignment	101614-00	REF	Not Sellable
13	Software, Image	xxx	REF	Not Sellable
14	Label, EPA	xxx	REF	Not Sellable
15	Label, Enxxxx Approval	xxx	REF	Not Sellable
	<b>101200-01 (110V)</b>			
7	Label, 110v	101718-00	1	Not Sellable
8	Fuse 4AMP	101905-00	2	Consumable
9	Fuse Drawer, Receptacle 110v	11290	1	Consumable
10	Cord, Power	101349-00	1	Spare Part
11	Assembly, Wire Cable AC Mother to Interface Board	101037-00	1	Spare Part
	<b>101200-02 (220v 2A)</b>			
7	Label, 220v	101912-00	1	Not Sellable
8	Fuse 2AMP	101904-00	2	Consumable
9	Fuse Drawer, Receptacle 220v	11237	1	Consumable
10	Cord, Power	8926	1	Spare Part
12	Assy, Transformer Step Down	101399-00	1	Spare Part
	<b>101200-03 (100v)</b>			
7	Label, 100v	101911-00	1	Not Sellable
8	Fuse 4AMP	101905-00	2	Consumable
9	Fuse Drawer, Receptacle 100v	11290	1	Consumable
10	Cord, Power	101349-00	1	Spare Part
12	Assy, Transformer Step Up	101863-00	1	Spare Part
	<b>101200-04 (220v 3.15A)</b>			
7	Label, 220v	101912-00	1	Not Sellable
8	Fuse 2AMP	101904-00	2	Consumable
9	Fuse Drawer, Receptacle 220v	11237	1	Consumable
10	Cord, Power	8926	1	Spare Part
12	Assy, Transformer Step Down	103813-00	1	Spare Part
	<b>101200-05 (220v 2A China)</b>			
7	Label, 220v	101912-00	1	Not Sellable
8	Fuse 2AMP	101904-00	2	Consumable
9	Fuse Drawer, Receptacle 220v	11237	1	Consumable
10	Cord, Power	107315-00	1	Spare Part
12	Assy, Transformer Step Down	101399-00	1	Spare Part

# 42i Measurement Case



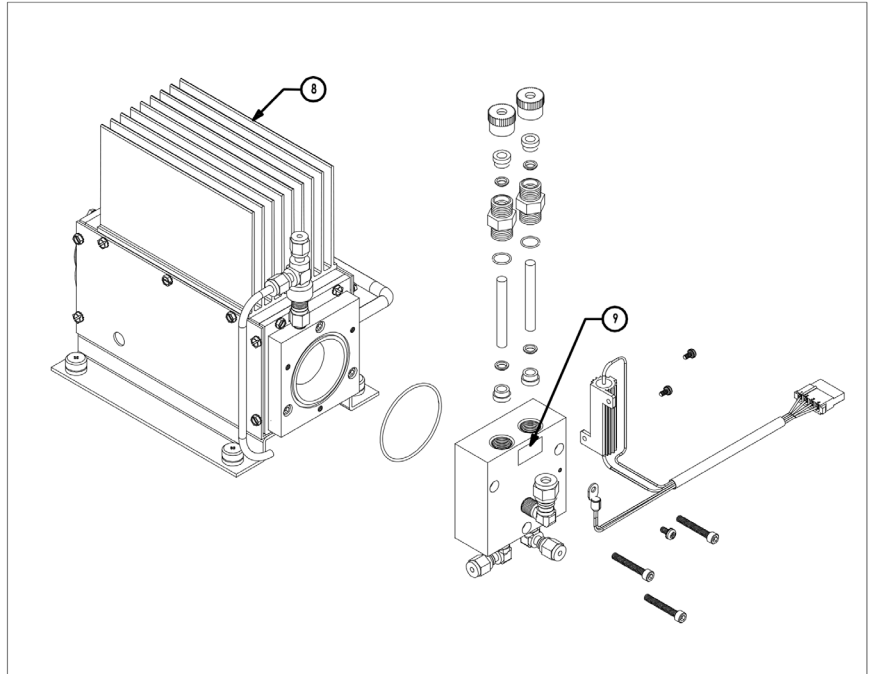
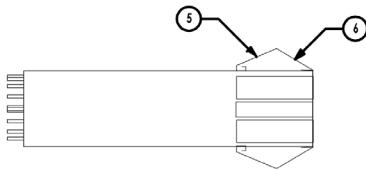
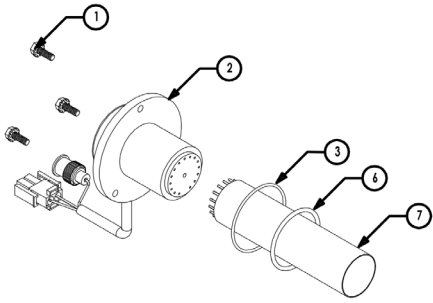
# 42i Measurement Case Continued



# 42i Measurement Case BOM

ITEM	DESCRIPTION	PART NO.	QTY	Component
1	Plate, Floor, Assy	101197-00	1	Not Sellable
2	Rear Panel, Assy	101007-01	1	Not Sellable
4	Bracket, HVPS & Input Box, Assy	101581-00	1	Not Sellable
5	Bracket, Ozonator, W/Silica Scrubber, Assy	101010-01	1	Not Sellable
6	Assy, Thermistor	101688-00	1	Spare Part
7	Interface Board, Assy	100536-01	1	Spare Part
9	Screw, 8-32 x .25 LG, Flat Head PH	101073-00	1	Not Sellable
10	Screw, SEMS 8-32 x 3/8 LG, Pan Head PH	37202	2	Not Sellable
11	PMT Cover Plate, Assy	101313-00	1	Not Sellable
12	Screw, SEMS 8-32 x 3/8 LG, Pan Head PH, INT	101844-00	6	Not Sellable
13	Screw, 6-32 x .25 LG, Flat Head PH	101398-00	4	Not Sellable
14	Cable, Assy, Fan	101267-00	1	Spare Part
15	Cable, Assy, Temp Control	101346-00	1	Spare Part
16	Cable, Assy, Temp Control AC	101050-00	1	Spare Part
17	Cable, Assy, Shielded	101355-02	1	Spare Part
20	Screw, SEMS 6-32 x 3/8 LG Pan HD PH	101709-00	2	Not Sellable
	<b>Moly Converter</b>			
18	Moly Converter Can Assy	101009-00	1	Spare Part
19	Assy, 42i Temp Cntrl Bd M/Conv	100856-00	1	Spare Part
3	Assy, PMT/Cooler/Chamber, Moly	101008-01	1	Spare Part
	<b>SS Converter</b>			
18	SS Converter Can Assy	101214-00	1	Spare Part
19	Assy, 42i Temp Cntrl Bd SS/Conv	100856-01	1	Spare Part
3	Assy, PMT/Cooler/Chamber, SS	101008-06	1	Spare Part

# 42i Cooler/Reaction Chamber

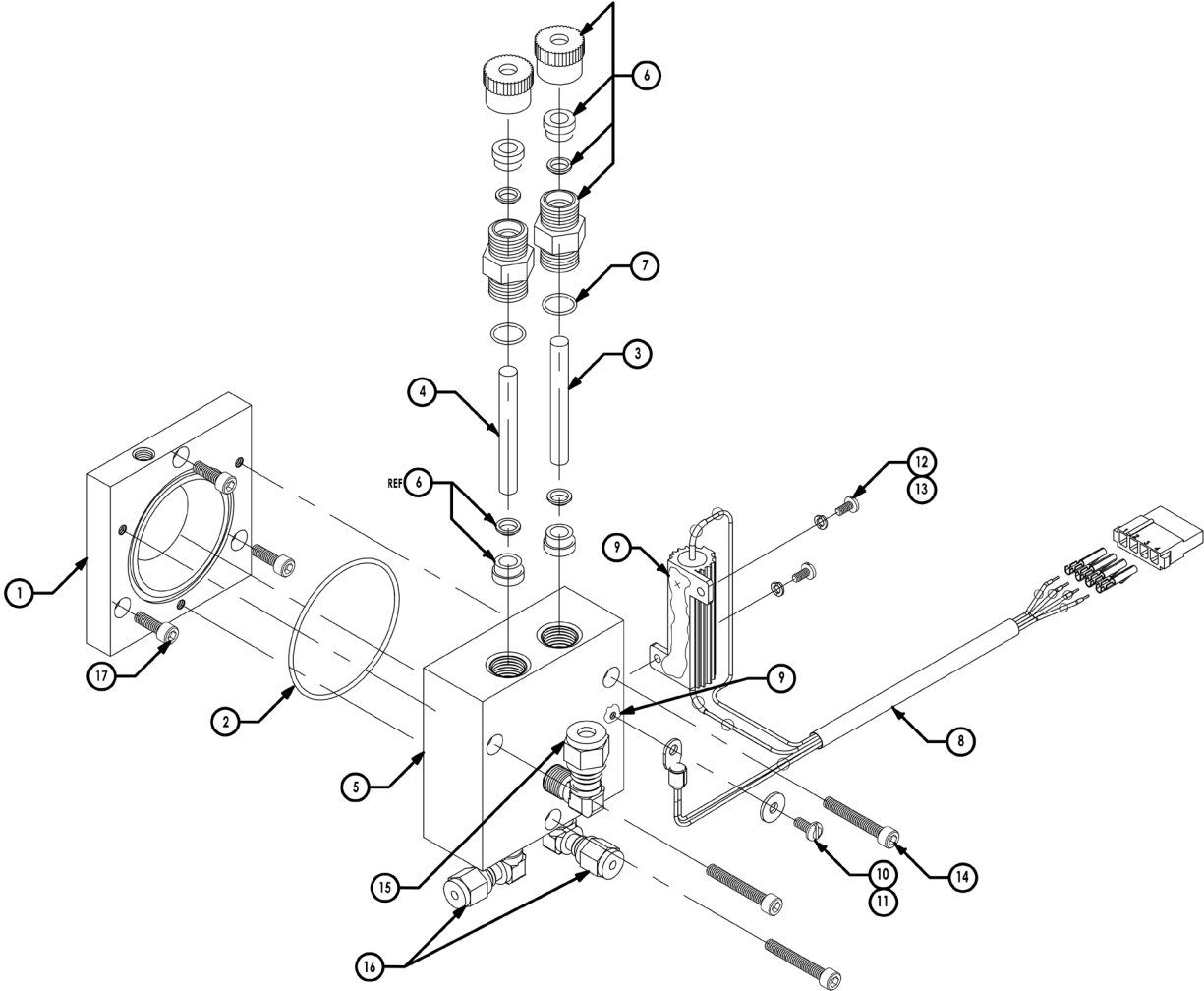




# 42i Cooler/Reaction Chamber BOM

ITEM	DESCRIPTION	PART NO.	QTY	Component
1	Screw, 8-32 x 1/2 Hex SEMS	8472	3	Not Sellable
2	Assy, Photo Multiplier Base	101324-00	1	Spare Part
3	O-Ring	4806	1	Spare Part
4	O-Ring, PMT 44 Cooler	4821	1	Spare Part
5	Stick-on, Soft No-snap Fngrs	105615-00	1	Spare Part
6	Tape, Doublesided, .0056" Thk	X0180FK	0.02	Not Sellable
9	Label, Barcode	111753-00	1	Not Sellable
	<b>(42i, 42iD w/ Moly Converter)</b>			
7	PMT	106066-00	1	Spare Part
8	Cooler Reaction Chamber Assy	114531-01	1	Not Sellable
	<b>(42iHL)</b>			
7	PMT	106066-00	1	Spare Part
8	Cooler Reaction Chamber Assy	114531-02	2	Not Sellable
	<b>(42iY, 42iTL)</b>			
7	PMT	114050-00	1	Spare Part
8	Cooler Reaction Chamber Assy	114531-03	1	Not Sellable
	<b>(42iLS)</b>			
7	PMT	106066-01	1	Spare Part
8	Cooler Reaction Chamber Assy	114531-04	1	Not Sellable
	<b>(17i)</b>			
7	PMT	114050-00	1	Spare Part
8	Cooler Reaction Chamber Assy	114531-05	1	Not Sellable
	<b>(42i, 42iD w/ SS Converter)</b>			
7	PMT	106066-00	1	Spare Part
8	Cooler Reaction Chamber Assy	114531-06	1	Not Sellable

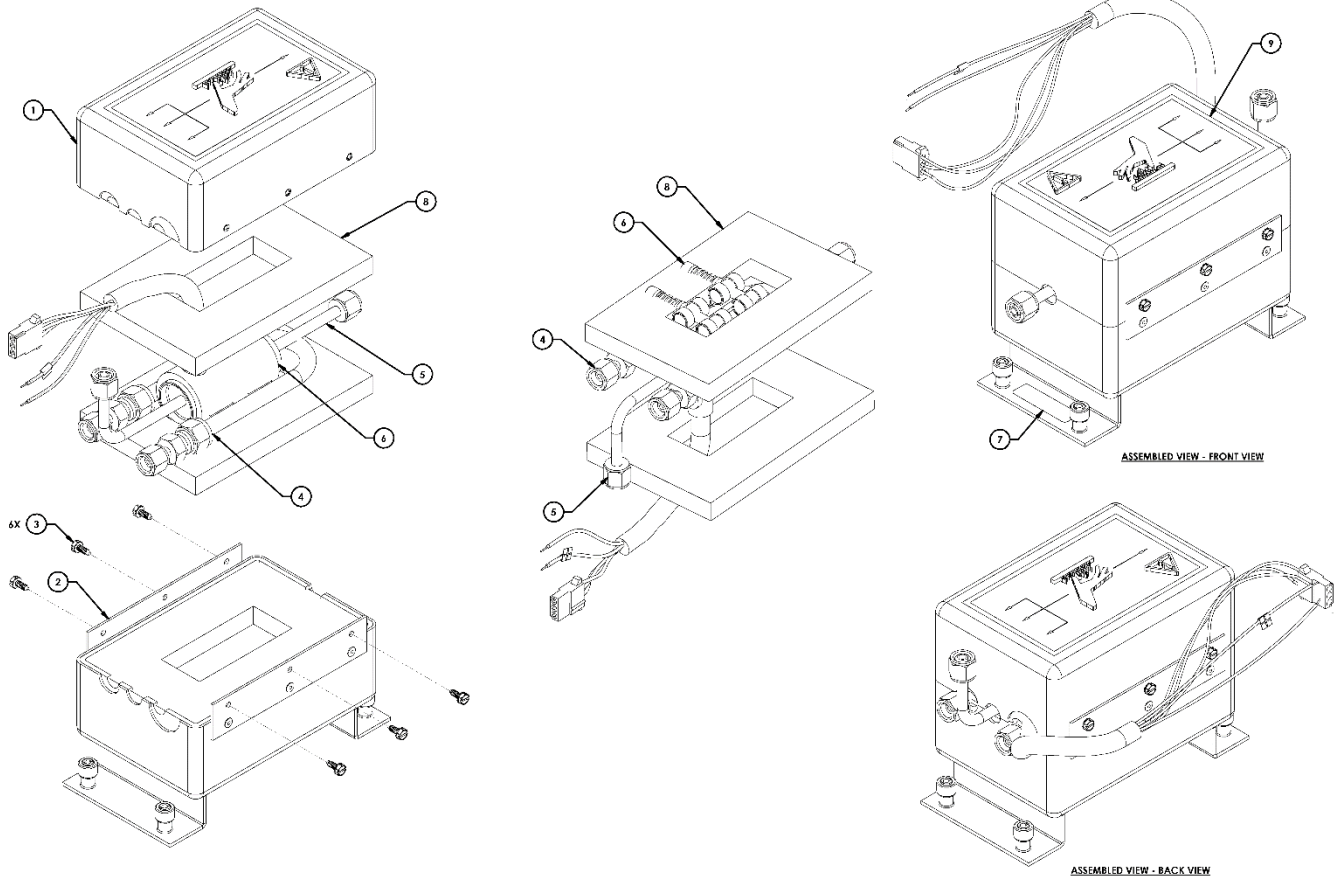
# 42i Reaction Chamber



# 42i Cooler/Reaction Chamber BOM

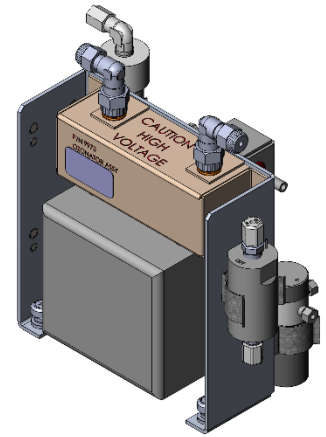
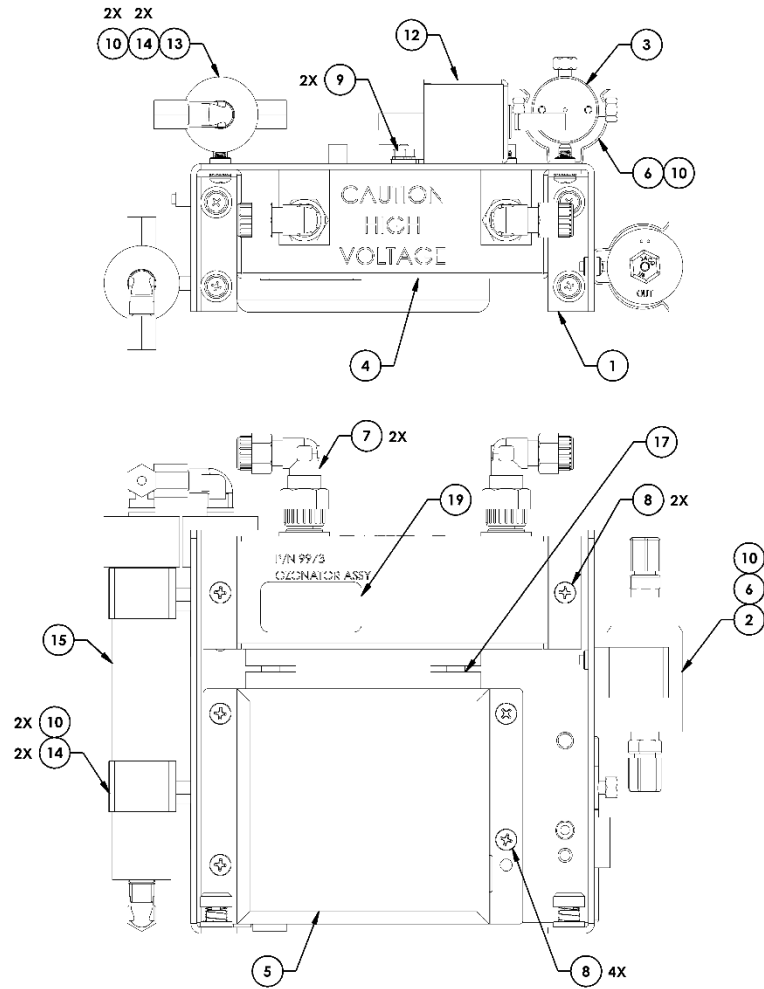
ITEM	DESCRIPTION	PART NO.	QTY	Component
1	Reaction Chamber Front	9454	1	Spare Part
2	O-Ring 2-032	4808	1	Spare Part
5	Reaction Chamber Front	9455	1	Spare Part
6	Union, Cajon	9211	2	Spare Part
7	O-Ring	9212	2	Spare Part
8	Thermistor Assy	103246-00	1	Spare Part
9	Heatsink Grease	5726	A/R	Spare Part
10	Screw, Pan HD #6-32 x 5/16" LG	5819	1	Not Sellable
11	Washer, Lock #6	5889	1	Not Sellable
12	Screw, Binder HD #4-40 x 1/4" LG	5814	2	Not Sellable
13	Washer, Lock #4	5888	2	Not Sellable
14	Screw, SOC HD Cap #8-32 x 1-1/8" LG	8484	3	Spare Part
15	Elbow, Male 1/8" NPT to 1/4" T	4430	1	Spare Part
16	Elbow, Male, 1/8" NPT to 1/8" T	4403	2	Spare Part
17	Screw, SOC HD Cap #8-32 x 1-1/2" LG	7879	3	Not Sellable
	<b>(42i, 42iD)</b>			
3	Capillary (15 Mil)	4127	1	Consumable
4	Capillary (8 Mil)	4119	1	Consumable
	<b>(42iHL)</b>			
3	Capillary (5 Mil)	4113	1	Consumable
4	Capillary (10 Mil)	4121	1	Consumable
	<b>(42iY, 42iTL)</b>			
3	Capillary (20 Mil)	4126	1	Consumable
4	Capillary (10 Mil)	4121	1	Consumable
	<b>(42iLS)</b>			
3	Capillary (8 Mil)	4119	1	Consumable
4	Capillary (10 Mil)	4121	1	Consumable
	<b>(17i)</b>			
4	Capillary (10 Mil)	4121	1	Consumable

# 42i Converters



ITEM	DESCRIPTION	PART NO.	QTY	Component
1	ASSY, HOUSING, CONVERTER, TOP	64P720	1	Not Sellable
2	ASSY, HOUSING, CONVERTER, BOTTOM	101022-00	1	Not Sellable
3	SCREW, MACHINE, HEX HEAD, SLOTTED, W/EXT WASHER, #6-32, 3/8, STL	8457	6	Not Sellable
7	LABEL, ADH, WHT, 1/2 X 1-3/4	113283-00	1	Not Sellable
8	INSULATOR, TOP	9257	2	Spare Part
9	WARNING LABEL	103569-00	1	Not Sellable
	<b>(Moly Converter)</b>			
4	Assy, Low Temp O3 Converter	64P7289	1	Spare Part
5	Assy, Moly Converter W/ Fittings	9269	1	Spare Part
6	Heater, Tempco 120v, 60w	103860-04	1	Not Sellable
	<b>(Stainless Steel Converter)</b>			
4	Assy, Tbg High Temp Ozone	106078-00	1	Spare Part
5	Conv Cartridge W/ Nut + Ferrules	9467	1	Spare Part
6	Heater, Tempco, 120v, 130w	103860-02	1	Not Sellable

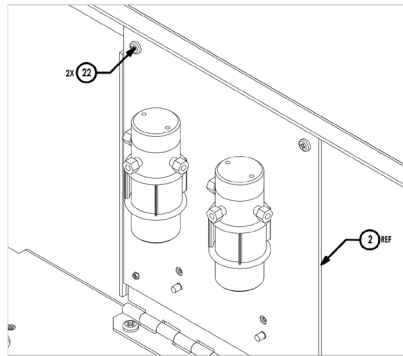
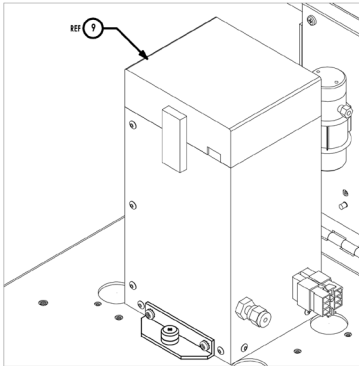
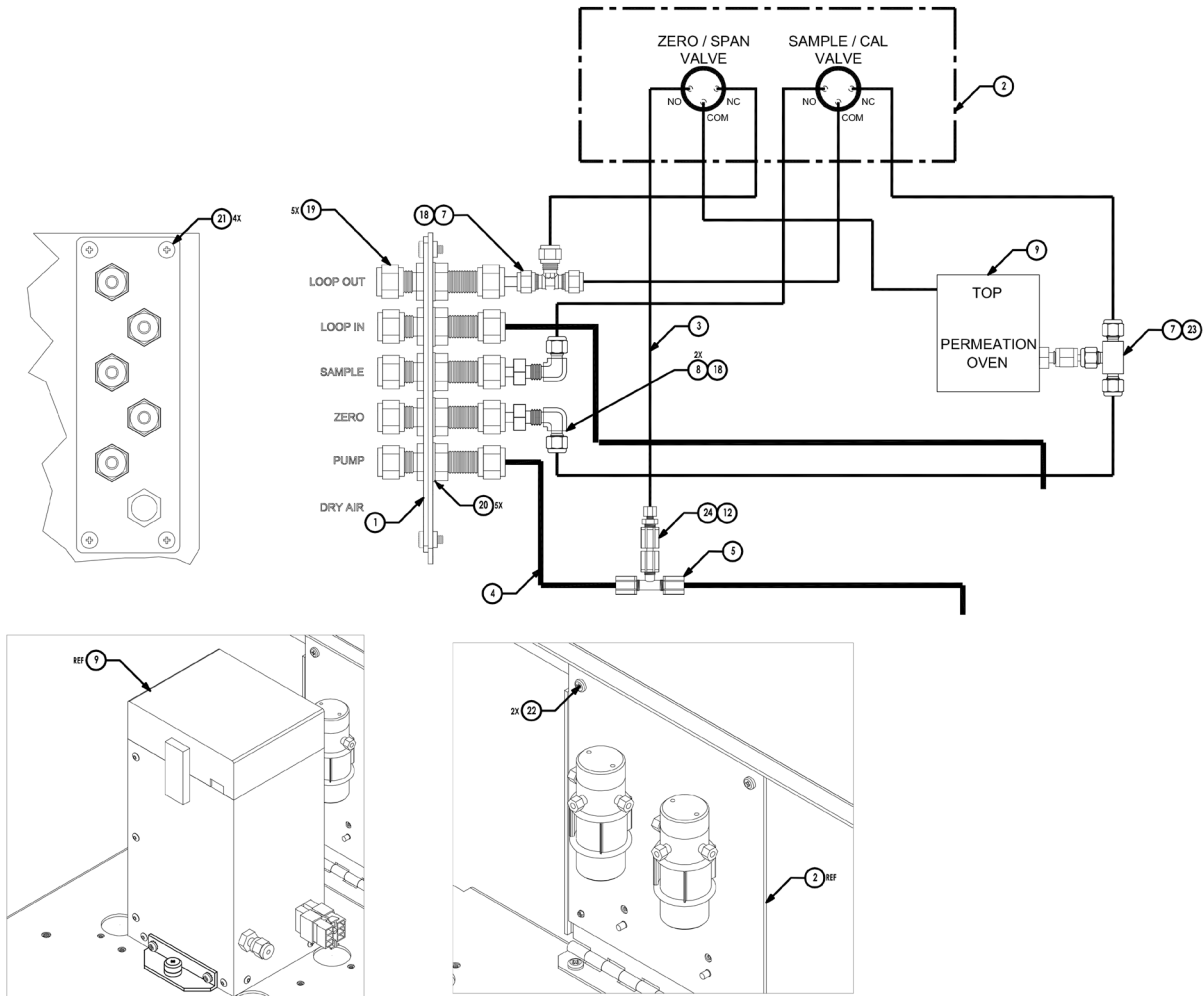
# 42i Ozonator



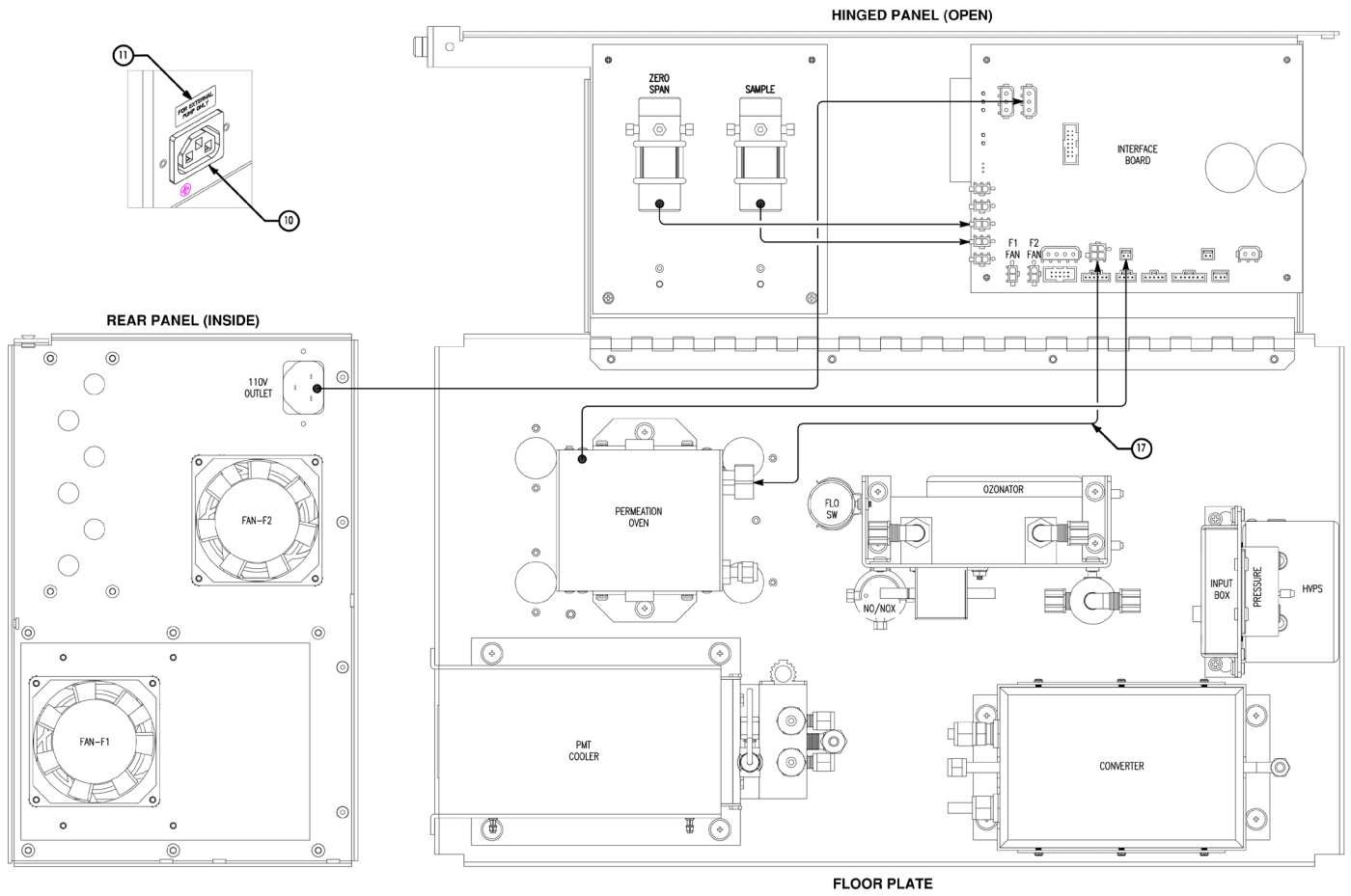
# 42i Ozonator BOM

ITEM	DESCRIPTION	PART NO.	QTY	Component
1	Bracket	100470-00	1	Spare Part
2	Flow Switch	101620-00	1	Spare Part
4	Ozonator Assy	9973	1	Spare Part
5	Ozone Transformer	101419-00	1	Spare Part
6	Clip	8553	1	Spare Part
7	Reducing Elbow 1/4" x 1/8"	4334	2	Spare Part
8	Screw, SEMS 8-32 x 3/8"	37202	6	Spare Part
10	Screw, 6-32 x 1/4" LG, PHL Pan HD SEMS	101405-00	1	Spare Part
17	Hi-Vacuum Grease	5771	A/R	Spare Part
19	Label, Barcode	111753-00	1	Not Sellable
	<b>(42i)</b>			
3	Solenoid Assy	101390-00	1	Spare Part
6	Clip	8553	1	Spare Part
9	Nut, Kep 6-32	8460	2	Not Sellable
10	Screw, 6-32 x 1/4" LG, PHL Pan HD SEMS	101405-00	3	Spare Part
12	Flow Transducer	101021-00	1	Spare Part
13	Silica Scrubber Assy	101016-00	1	Spare Part
14	Clip - Scrubber	101018-00	2	Spare Part
	<b>(42iLS)</b>			
3	Solenoid Assy	101390-00	1	Spare Part
6	Clip	8553	1	Spare Part
10	Screw, 6-32 x 1/4" LG, PHL Pan HD SEMS	101405-00	5	Spare Part
13	Silica Scrubber Assy	101016-00	1	Spare Part
14	Clip - Scrubber	101018-00	4	Spare Part
15	Ammonia Scrubber, Assy	101680-00	1	Spare Part
	<b>(42iHL)</b>			
3	Solenoid Assy	101390-00	1	Spare Part
6	Clip	8553	1	Spare Part
10	Screw, 6-32 x 1/4" LG, PHL Pan HD SEMS	101405-00	3	Spare Part
13	Silica Scrubber Assy	101016-00	1	Spare Part
14	Clip - Scrubber	101018-00	2	Spare Part
	<b>(42iD)</b>			
9	Nut, Kep 6-32	8460	2	Spare Part
12	Flow Transducer	101021-00	1	Spare Part
	<b>(42iTL, 42iY)</b>			
3	Solenoid Assy	101390-00	1	Spare Part
6	Clip	8553	1	Spare Part
9	Nut, Kep 6-32	8460	2	Spare Part
10	Screw, 6-32 x 1/4" LG, PHL Pan HD SEMS	101405-00	1	Spare Part
12	Flow Transducer	101021-00	1	Spare Part

# 42i Permeation Oven Option



# 42i Permeation Oven Option Continued

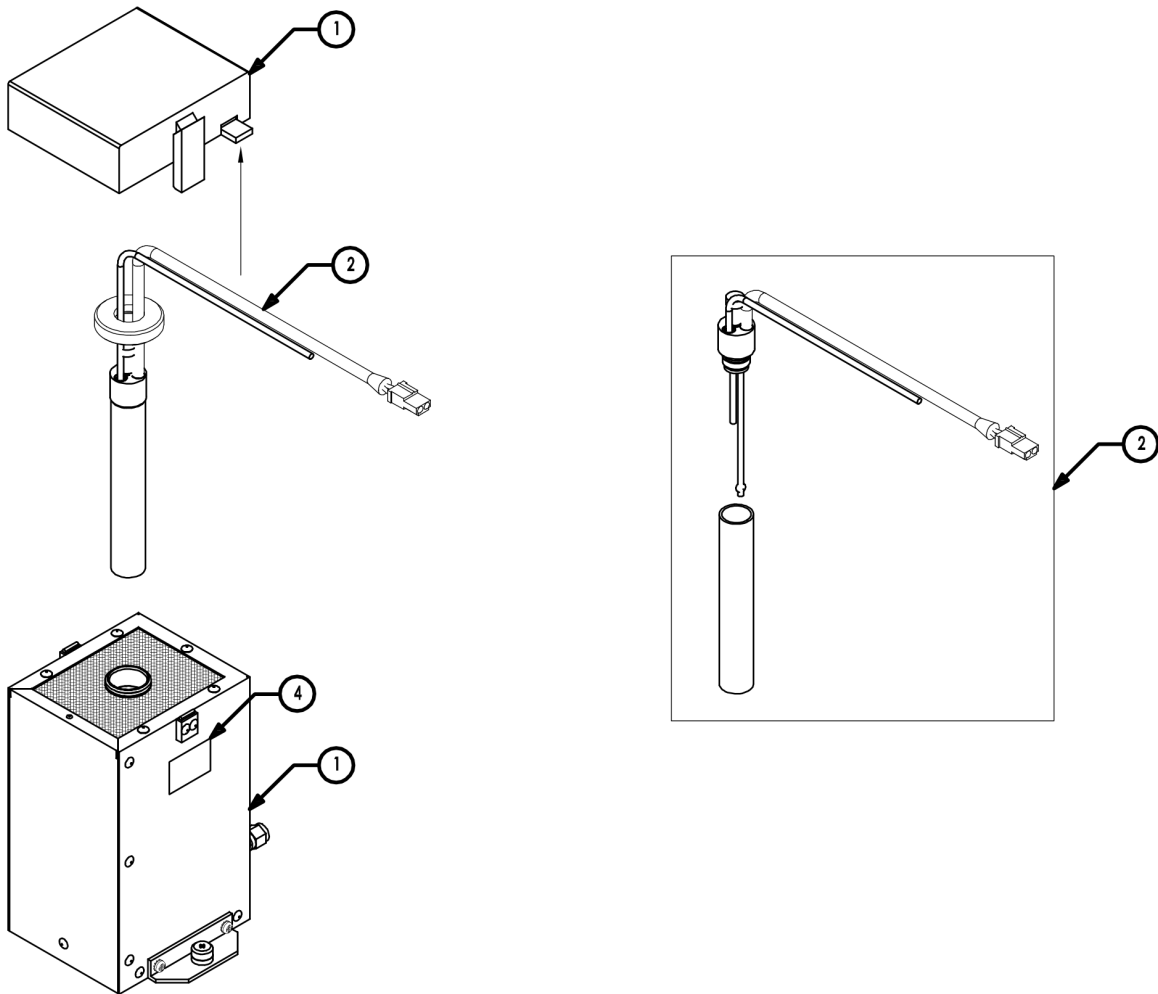




# 42i Permeation Oven Option BOM

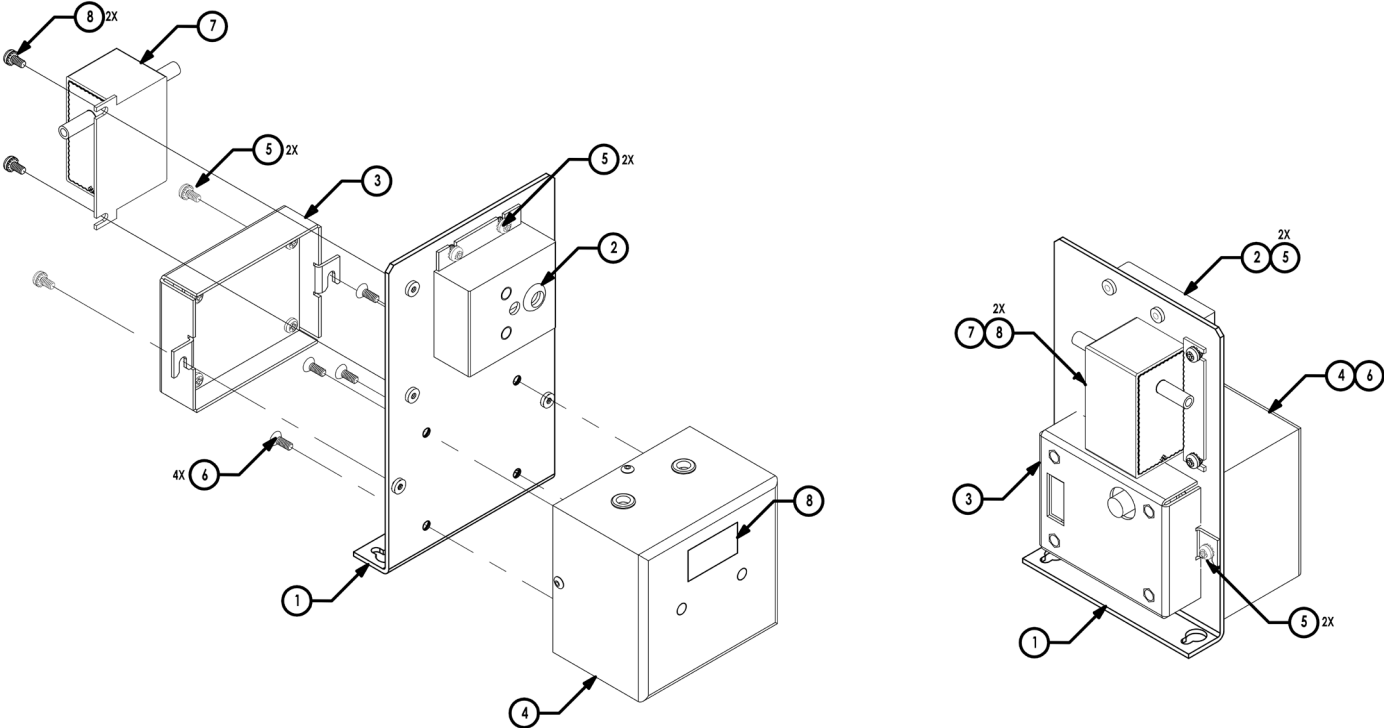
ITEM	DESCRIPTION	PART NO.	QTY	Component
1	Plate, Bulkhead W/Silkscreen	101603-02	1	Not Sellable
2	Solenoid, Assy	101376-00	1	Spare Part
3	Tubing, 1/8" Teflon	5510	A/R	Spare Part
4	Tubing, 1/4" Teflon	5512	A/R	Spare Part
5	Union, Tee, 1/4	4453	1	Spare Part
6	Scrubber, Purafil (Ships Separately)	6996	1	Spare Part
7	Union, Tee, 1/8	4414	2	Spare Part
8	Elbow, Union, 1/8T	4405	2	Not Sellable
9	Permeation Oven, Assy	102030-00	1	Option
10	Assy, Outlet Cable	102057-00	1	Spare Part
11	Label, Pump Receptacle	101719-00	1	Not Sellable
12	Capillary - Red	4119	1	Consumable
13	External Pump, Assy	102025-00	1	Spare Part
14	Charcoal Scrubber	4291	1	Consumable
17	Cable Permeation Oven, Assy	101695-00	1	Spare Part
18	Port Connector, 1/8 x 1/4	9205	3	Not Sellable
19	Fitting, Union Bulkhead, 1/4T	4447	5	Spare Part
20	Ex Washer Int Lock 7/16" ST	5893	5	Not Sellable
21	Screw, 8-32 x 3/8 LG, Pan Head PH SEMS Internal	101844-00	4	Not Sellable
22	Screw, 6-32 x .25 LG, Pan Head PH SEMS	101405-00	2	Not Sellable
23	Port Connector, 1/8"	15209	1	Spare Part
24	Union Reducing 1/4 x 1/8 Teflon	8109	1	Not Sellable

# 42i Perm Oven



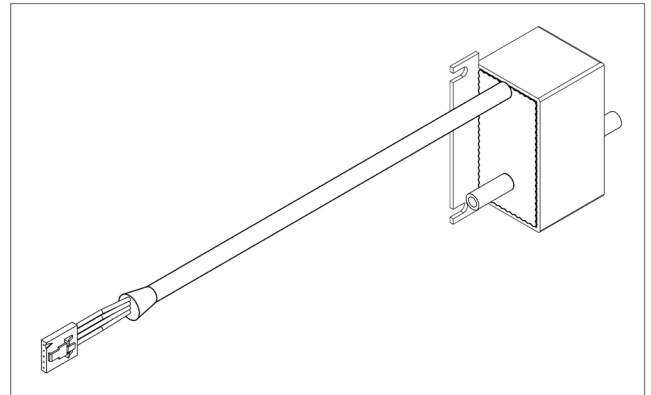
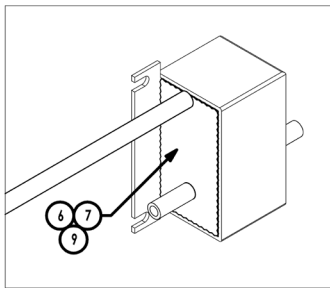
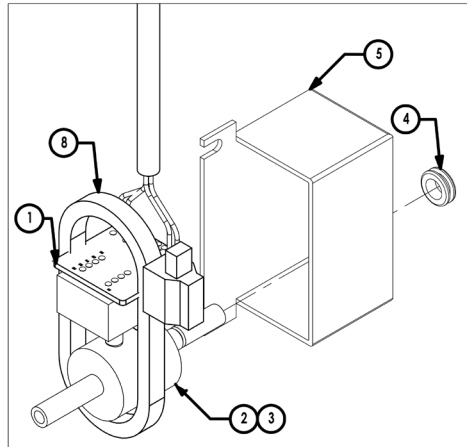
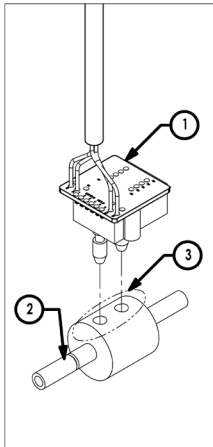
ITEM	DESCRIPTION	PART NO.	QTY	Component
1	Assy, Permeation Oven	101411-00	1	Spare Part
2	Assy, Thermistor Cap W/ Tube	102029-01	1	Spare Part
3	Grease, Hi Vacuum	5771	A/R	Spare Part
4	Label, Barcode	111753-00	1	Not Sellable

# 42i High Voltage PS



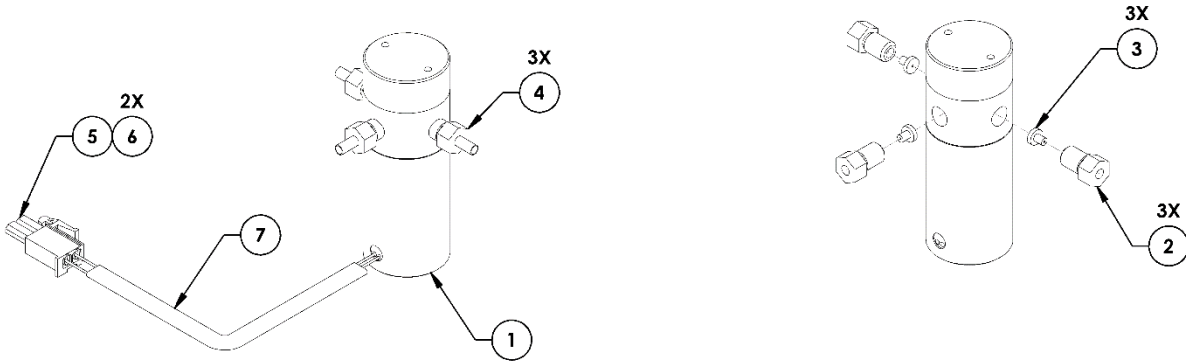
ITEM	DESCRIPTION	PART NO.	QTY	Component
1	BRACKET, MOUNTING FOR HVPS	101005-00	1	Not Sellable
2	ASSY, TRANSDUCER, PRESSURE	101023-00	1	Spare Part
3	INPUT BOX ASSEMBLY	101167-00	1	Spare Part
4	HVPS ASSY	101024-00	1	Spare Part
5	SCREW, PAN HEAD, PHILLIPS, W/EXT WASHER, FT, #6-32, 1/4, SS	101405-00	4	Not Sellable
6	SCREW, MACHINE, FLAT HEAD, PHILLIPS, FULL THD, #6-32, 3/8, SS	101166-00	4	Not Sellable
7	FLOW SENSOR	101021-00	1	Spare Part
8	LABEL, BARCODE	111753-00	1	Not Sellable

# 42i Flow Sensor



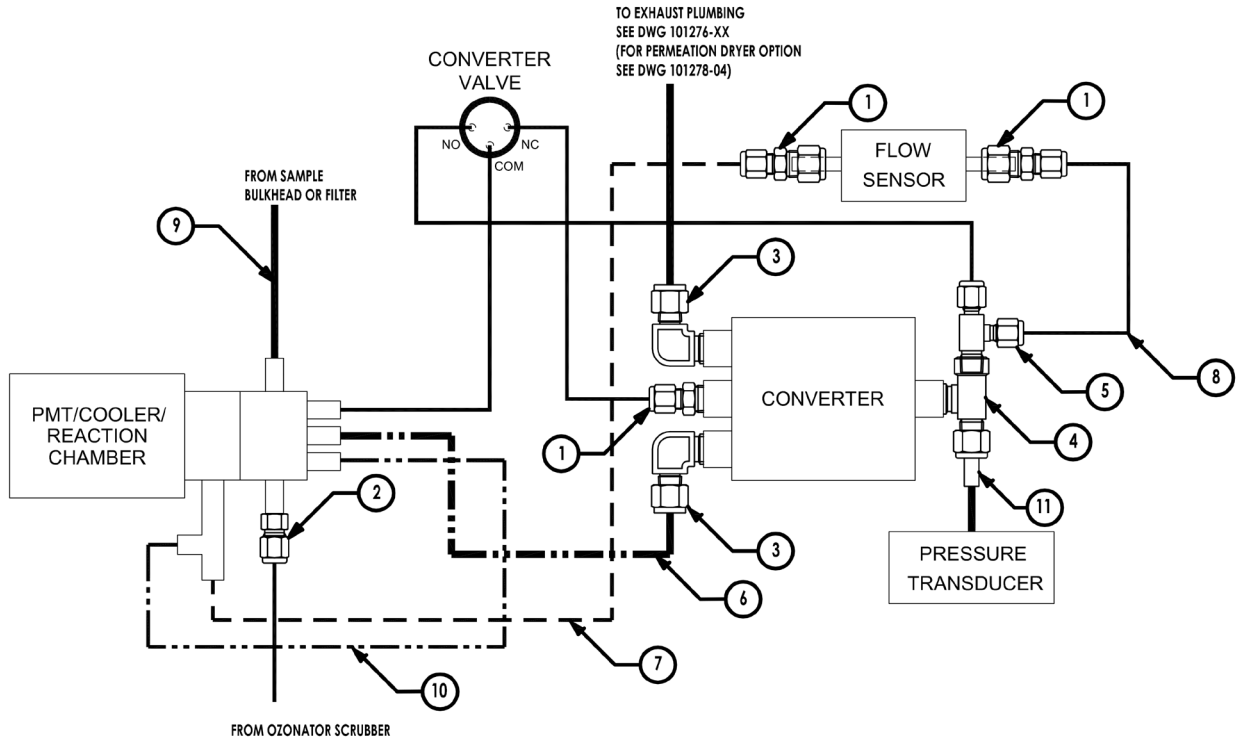
ITEM	DESCRIPTION	PART NO.	QTY	Component
1	Assy PC Board/ Cable & Flow Sensor	101403-00	1	Not Sellable
2	Capillary - Flow Transducer	4109	1	Consumable
3	Silicone Rubber Adhesive Sealant	3632	A/R	Not Sellable
4	Grommet, Orange, Silicone	4555	1	Not Sellable
5	Case	101408-00	1	Not Sellable
6	Potting Compound	7115	A/R	Not Sellable
7	Potting Thinner	7117	A/R	Not Sellable
8	Ty-Wrap 7"	5388	1	Spare Part

# 42i Solenoid Valve



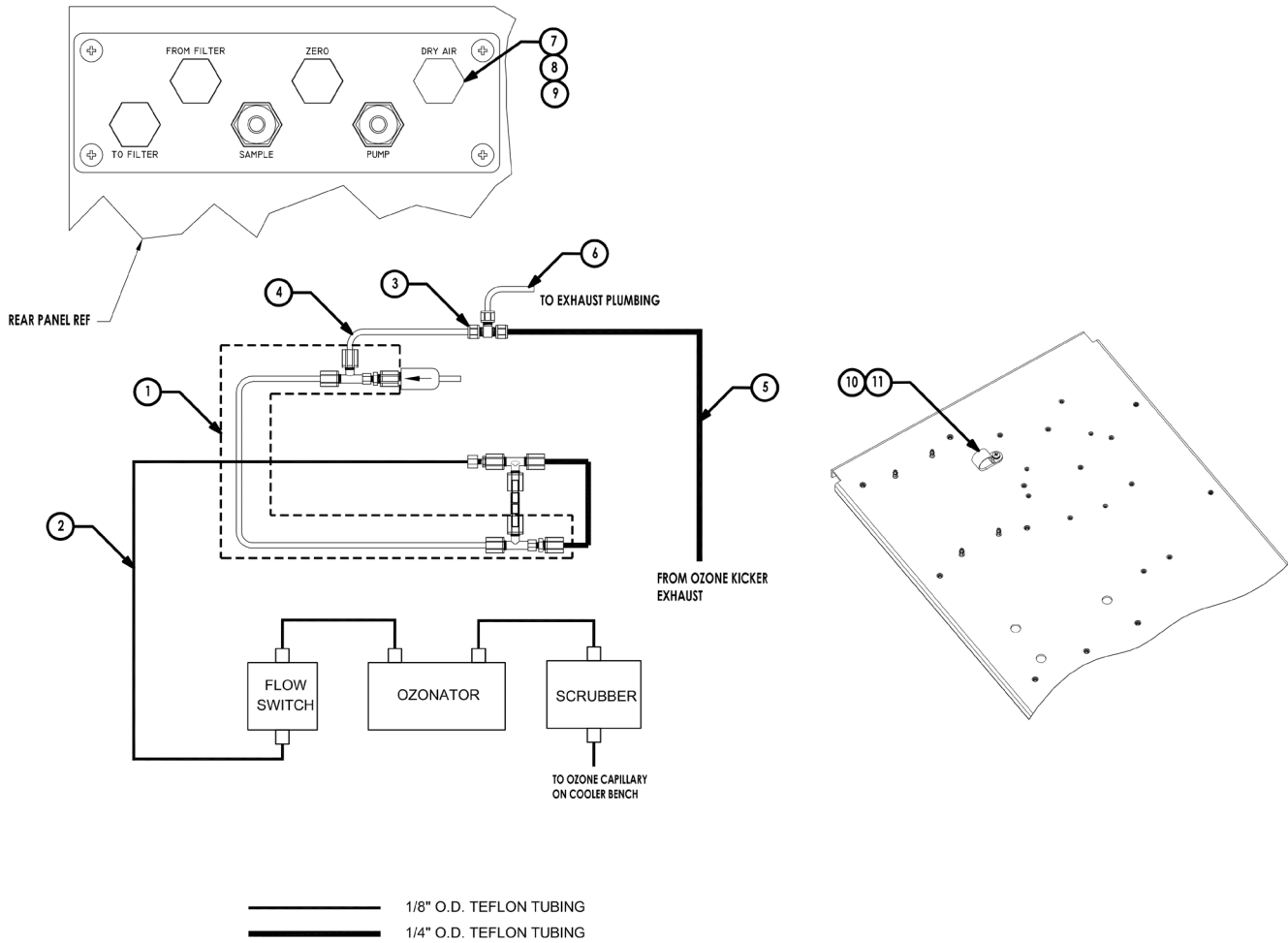
ITEM	DESCRIPTION	PART NO.	QTY	Component
1	ASSY, SOLENOID	8119	1	Spare Part
2	FITTING, INSERT, TEFLON	4629	3	Spare Part
3	FITTING, NUT, TEFLON	4794	3	Spare Part
4	CONNECTOR, HOUSING, PLUG, 2 POSITION, NYLON	14995	1	Spare Part
5	CONTACT, SOCKET, 22-26 AWG, 600V, BRASS	11486	2	Spare Part
6	TUBING, TEFLON, 1/8 OD	5510	1	Spare Part
7	INSULATION, PVC WEICO PV-11	5509-101390-00	1	Not Sellable

# 42i Plumbing



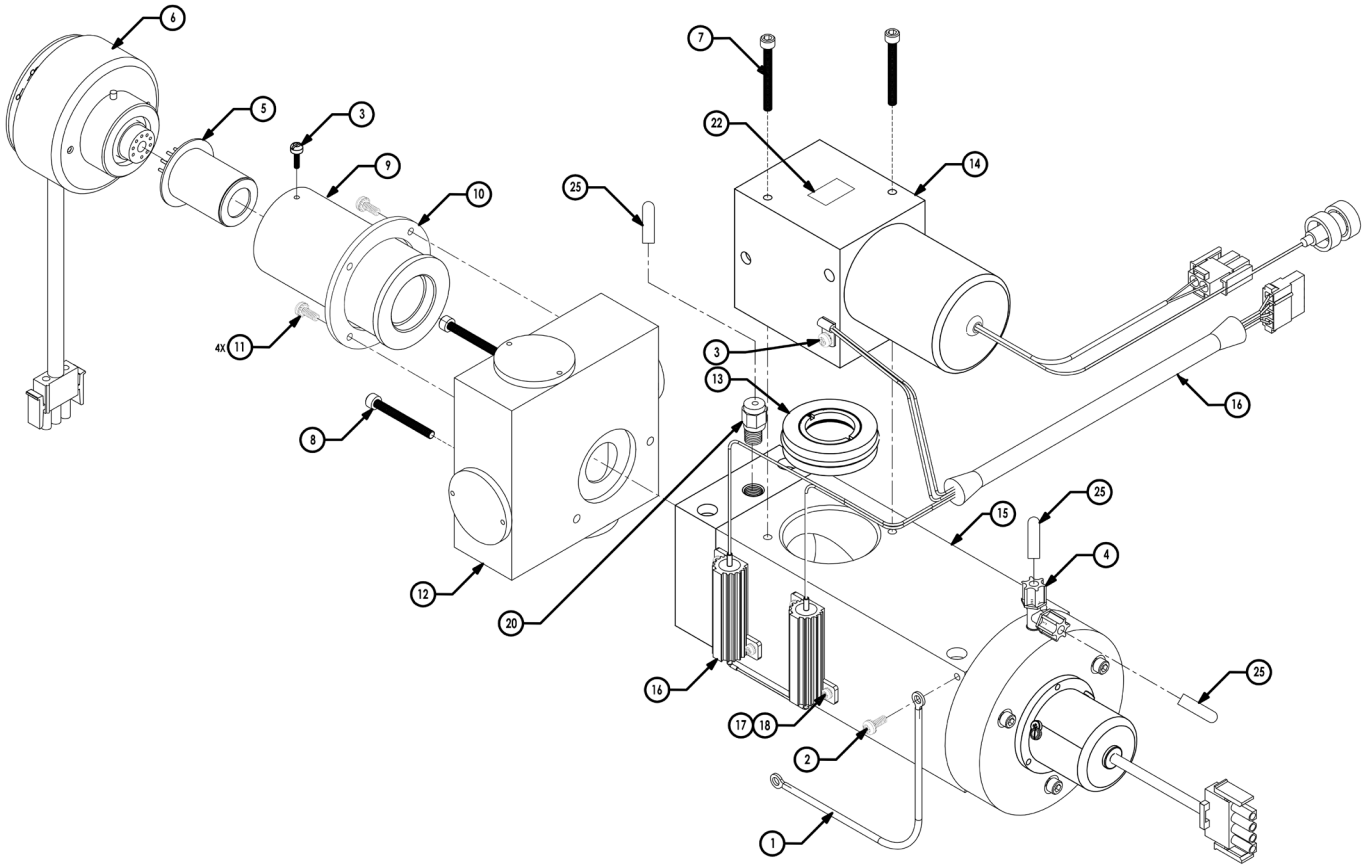
ITEM	DESCRIPTION	PART NO.	QTY	Component
1	Union, Reducing, 1/8" x 1/4"	4448	3	Spare Part
2	Reducer, 1/4" x 1/8" Tubing	4411	1	Spare Part
3	Union, Elbow, 1/4" Tubing	4432	2	Spare Part
4	Tee, Run, 1/4" Tubing x 1/8 FNPT	10134	1	Spare Part
5	Tee, 1/8 MNPT x 1/8" Tubing	4413	1	Spare Part
6	Tubing, 1/4", Assy	101394-00	1	Spare Part
7	Tubing, 1/8" SS	101206-00	REF	Spare Part
8	Tubing, 1/8" Teflon	5510	A/R	Spare Part
9	Tubing, 1/4" Teflon	5512	A/R	Spare Part
10	ASSY, TBG, OZONE CAP TO REAC	101417-01	1	Not Sellable
11	Silastic Tubing	5500	1"	Spare Part

# 42i Plumbing Continued



ITEM	DESCRIPTION	PART NO.	QTY	Component
1	Permeation Dryer, Assy	113982-00	1	Spare Part
2	Tubing, 1/8" Teflon	5510	A/R	Spare Part
3	Tee, 1/4" SS	4445	1	Spare Part
4	Tubing, 1/4" SS	102294-00	1	Spare Part
5	Tubing, 1/4" Teflon	5512	A/R	Spare Part
6	Tubing, 1/4" SS	99902	1	Spare Part
7	Screw, 7/16-14 x 3/4 LG Hex HD SS	101322-00	1	Not Sellable
8	Washer, Int 7/16	5893	1	Not Sellable
9	Nut, 7/16-14 SS	101323-00	1	Not Sellable
10	Clamp, Cbl, 5/8	4172	1	Not Sellable
11	Screw, PHD, W/Ext Washer, #8-32 x 3/8, SS	37202	1	Spare Part

# 43i Optical Bench Assy

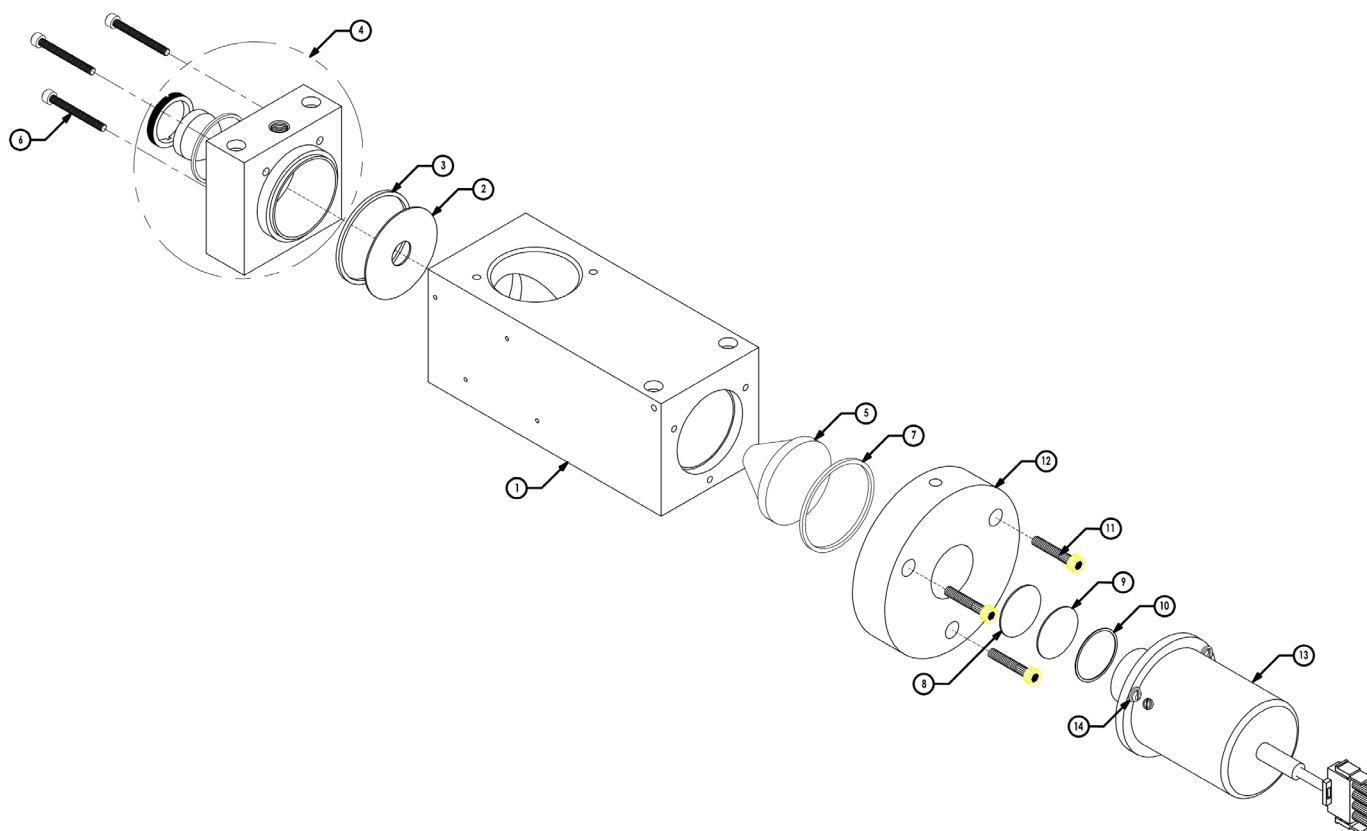




# 43i Optical Bench Assy BOM

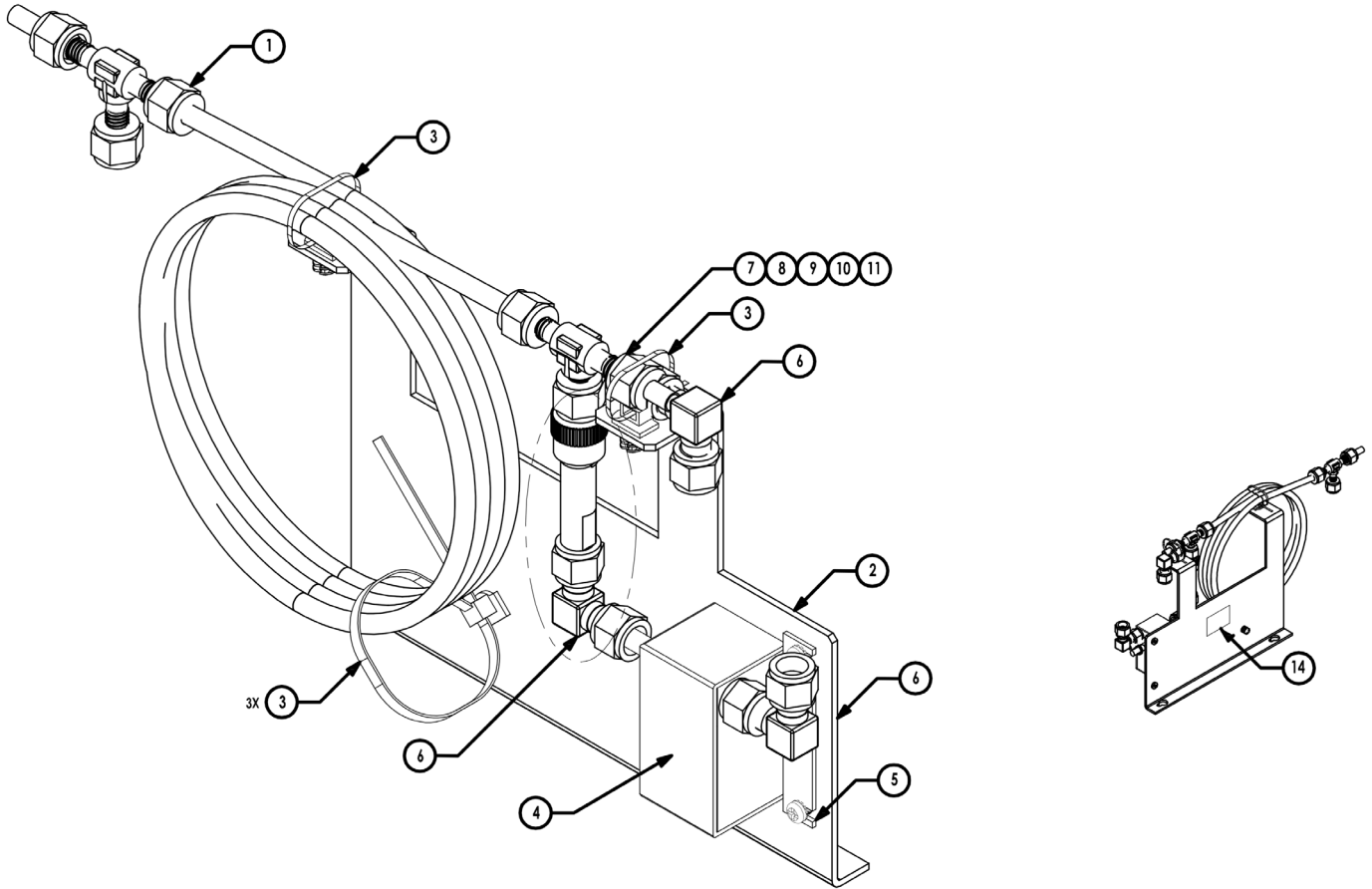
ITEM	DESCRIPTION	PART NO.	QTY	Component
1	ASSY, GROUND STRAP	57P7146	1	Not Sellable
2	SCREW, PAN HEAD, PHILLIPS, W/EXT WASHER, #8-32, 1/4, SS	37201	1	Not Sellable
3	SCREW, PAN HEAD, PHILLIPS, W/EXT WASHER, FT, #6-32, 1/4, SS	21-005087-0004	1	Not Sellable
4	FITTING, TEE, RUN, 1/4T OD, 1/4T OD, 1/8 NPT, KYNAR	8567	1	Spare Part
5	LAMP, UV SOURCE 43 SERIES	8666	1	Spare Part
6	ASSY, SOCKET, LAMP, UV (TRIGGER PACK)	8774	1	Spare Part
7	SCREW, CAP, SOCKET HEAD, #10-32, 2.750, SS	8486	2	Not Sellable
8	ASSY, LAMP HOUSING	8889	1	Spare Part
9	CLAMP, RING	8820	1	Spare Part
10	SCREW, PAN HD, PHIL, W/EXT TTH, 6-32 X 3/8, SS	101709-00	4	Not Sellable
11	ASSY. MIRROR HOUSING	8888	1	Spare Part
12	LENS MOUNT ASSY.	8335	1	Spare Part
13	ASSY, PMT HOUSING MODEL 43i	101570-00	1	Spare Part
14	ASSY, CABLE, HEATER/THERMISTOR	101568-00	1	Spare Part
15	SCREW, PAN HEAD, PHILLIPS, W/EXT WASHER, #4-40, 3/8, SS	102175-00	4	Not Sellable
16	ASSY, REACTION CHAMBER, MOD 43i (STD)	101571-00	1	Spare Part
17	THERMAL COMPOUND, DOW TYPE 340	5726	0.05	Spare Part
18	LABEL, BARCODE	111753-00	1	Not Sellable
21	FITTING, CONNECTOR, 1/4T OD, 1/8 NPT, SS	4422	1	Spare Part
22	FITTING, MALE CONN, 1/4T, 1/8NPT(JACO#10-4-2-K-0)	8599	1	Spare Part

# 43i Optical Bench Continued



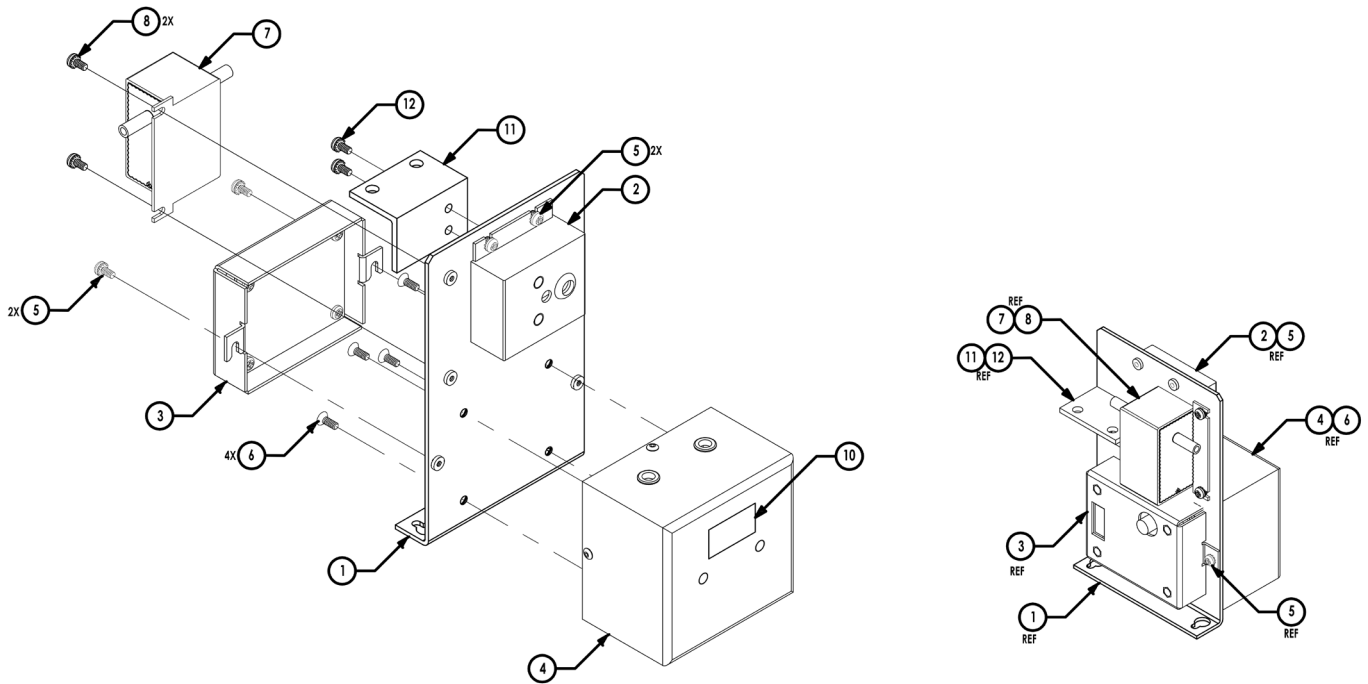
ITEM	DESCRIPTION	PART NO.	QTY	Component
1	REACTION CHAMBER	8786	1	Spare Part
2	LIGHT BAFFLE	8788	1	Spare Part
3	O-RING, 1.799 ID, 2.005 OD, .103 CSD, VITON	4829	1	Spare Part
4	LIGHT TRAP	8787	1	Spare Part
5	O-RING, .1.864 ID, 2.004 OD, .070 CSD, VITON	4808	1	Spare Part
6	CHAMBER END	8789	1	Spare Part
7	ATTENUATOR	8812	1	Spare Part
8	DIFFUSER	8851	1	Spare Part
9	O-RING, .799 ID, 1.005 OD, .103 CSD, VITON	4830	1	Spare Part
10	SCREW, CAP, SOCKET HEAD, #8-32, 3/4, SS	7880	3	Spare Part
11	ASSY, PHOTOTUBE DETECTOR, W/CABLE, 43i	120242-00	1	Not Sellable
12	SCREW, PAN HEAD, PHILLIPS, W/EXT WASHER, #4-40, 3/8, SS	102175-00	3	Spare Part
13	ASSY, CHAMBER, INLET	101569-00	1	Spare Part
15	SCREW, CAP, SOCKET HEAD, FULL THREAD, #8-32, 1.125, SS	21-000826-XXXX	3	Not Sellable
16	ASSY, HEATER, 48/410iQ	115946-00	1	Spare Part

# 43i Hydrocarbon Kicker



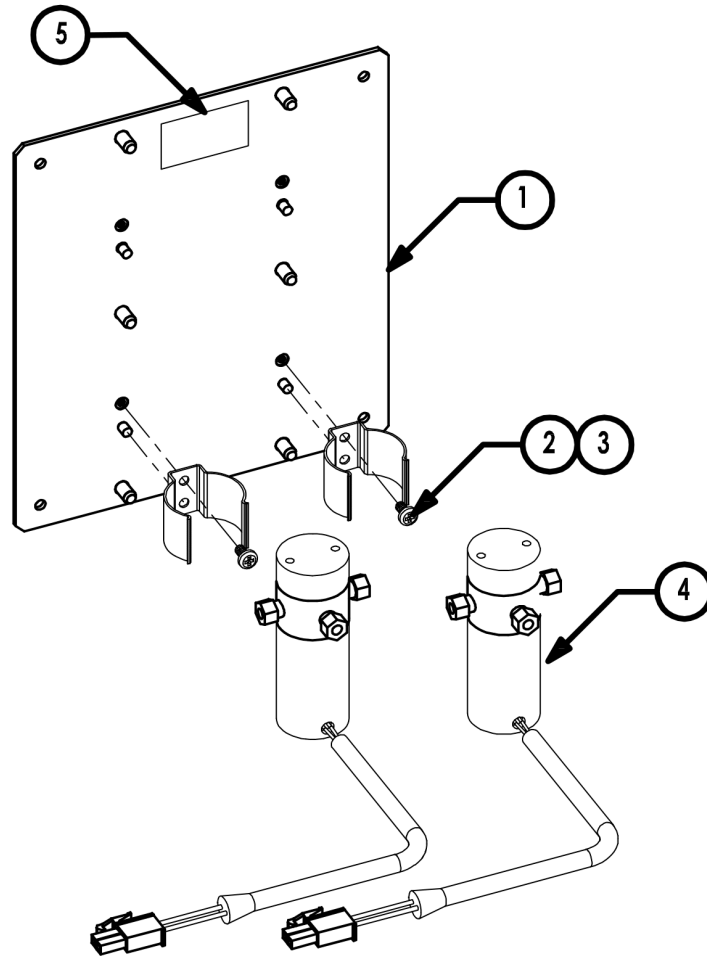
ITEM	DESCRIPTION	PART NO.	QTY	Component
1	KICKER ASSEMBLY	8746	1	Spare Part
2	Kick Mounting Plate	100849-00	1	Spare Part
3	TIE,CBL, PUSH MNT, 8.27L, .19W	101902-00	3	Not Sellable
4	Flow Sensor Assy	102055-00	1	Spare Part
5	Screw, #6-32 x 1/4" PH Pan HD, SEM	101405-00	2	Not Sellable
6	Union Elbow 1/4"	4432	3	Spare Part
7	Capillary Adapter 1/4"	4136	1	Spare Part
8	Capillary Nut	4148	1	Spare Part
9	Capillary Holder 1/4	4138	1	Spare Part
10	Capillary - 13ml	8919	1	Consumable
11	O-Ring	4800	1	Consumable
14	LABEL, BARCODE	111753-00	1	Not Sellable

# 43i High Voltage Power Supply



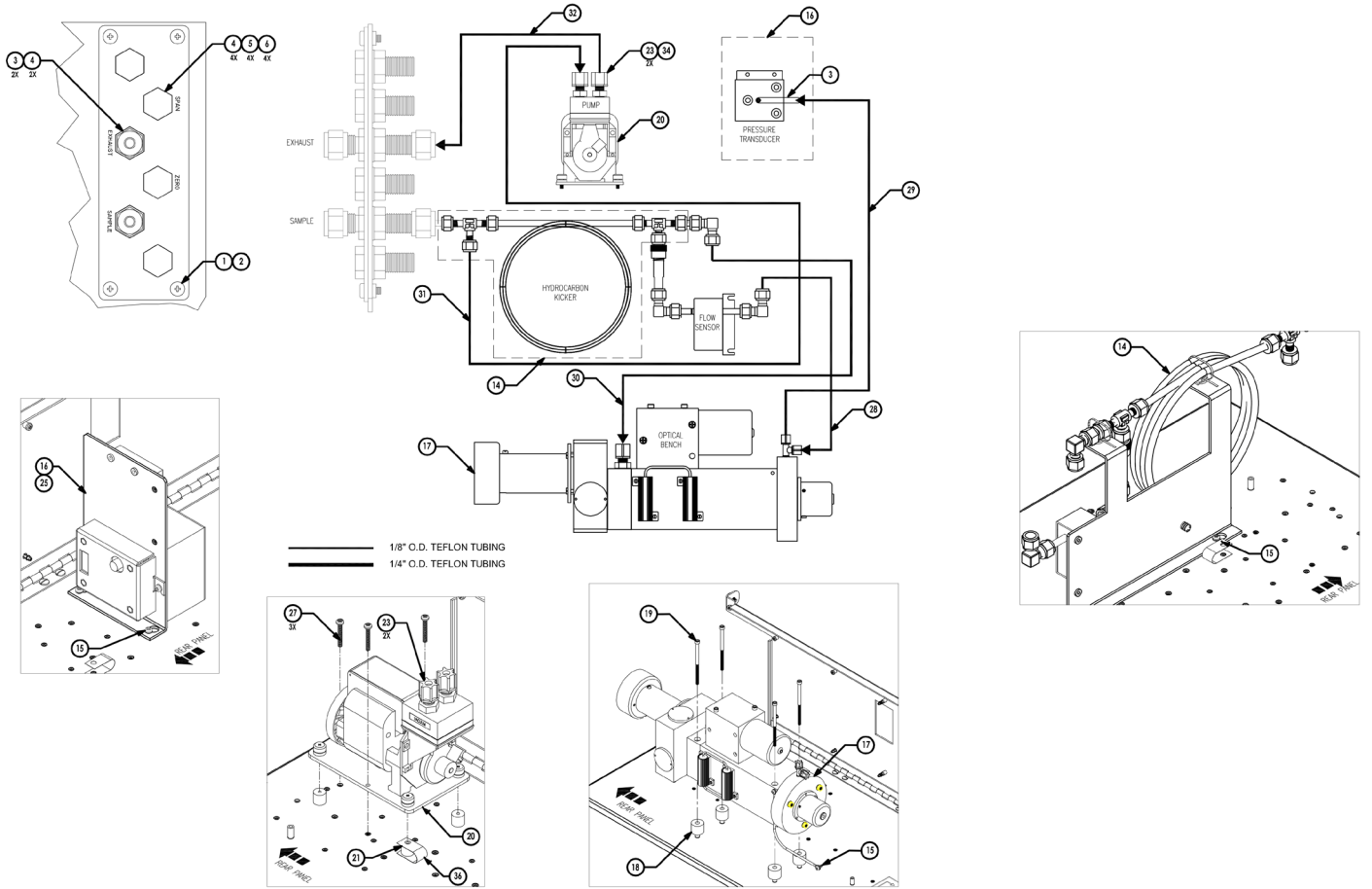
ITEM	DESCRIPTION	PART NO.	QTY	Component
1	BRACKET, MOUNTING FOR HVP	101005-00	1	Not Sellable
2	INPUT BOX ASSY.	102273-00	1	Spare Part
3	ASSY, POWER SUPPLY, PMT HIGH VOLTAGE	101024-00	1	Spare Part
4	LABEL, BARCODE	111753-00	1	Not Sellable
5	ASSY, TRANSDUCER, PRESSURE	101023-00	1	Spare Part
6	SCREW, PAN HEAD, PHILLIPS, W/EXT WASHER, FT, #6-32, 1/4, SS	21-005087-XXXX	6	Not Sellable
10	FLOW TRANSEDUCER (42i)	101021-00	1	Spare Part
	<b>(W/ 2-Groove Flow Sensor)</b>			
7	Flow Sensor	102055-00	1	Spare Part
8	Screws, 6-32 x 1/4" LG, Pan HD, PH SEMS, SS	101405-00	2	Spare Part
	<b>(W/ 1-Groove Flow Sensor)</b>			
7	Flow Sensor	101021-00	1	Spare Part
8	Screws, 6-32 x 1/4" LG, Pan HD, PH SEMS, SS	101405-00	2	Spare Part
	<b>(W/ 2-Groove Flow Sensor &amp; Bracket)</b>			
7	Flow Sensor	102055-00	1	Spare Part
8	Screws, 6-32 x 1/4" LG, Pan HD, PH SEMS, SS	101405-00	2	Spare Part
11	Bracket, Support	112362-00	1	Not Sellable
12	Screw, 8-32 x 3/8 LG, Pan HD, PH, SEMS, SS	37202	2	Spare Part

# 43i Solenoid Valves

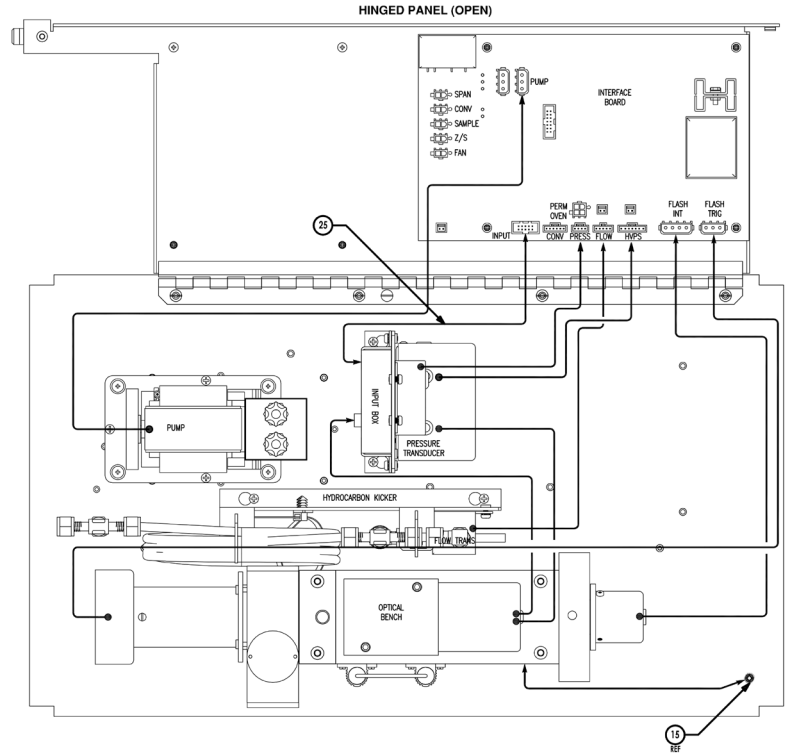
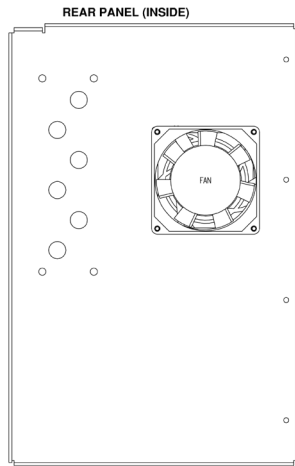
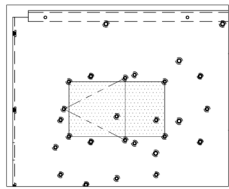
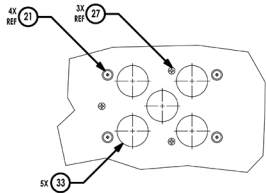


ITEM	DESCRIPTION	PART NO.	QTY	Component
1	PLATE, SOLENOID	100467-00	1	Spare Part
2	Screw, 6-32 x 1/4" LG, PHL Pan HD SEMS	101405-00	2	Spare Part
3	Clip	8553	2	Spare Part
4	Solenoid Assy	101390-00	2	Spare Part
5	Barcode Label	111753-00	1	Not Sellable

# 43i Plumbing – Standard Unit



# 43i Plumbing – Standard Unit Continued



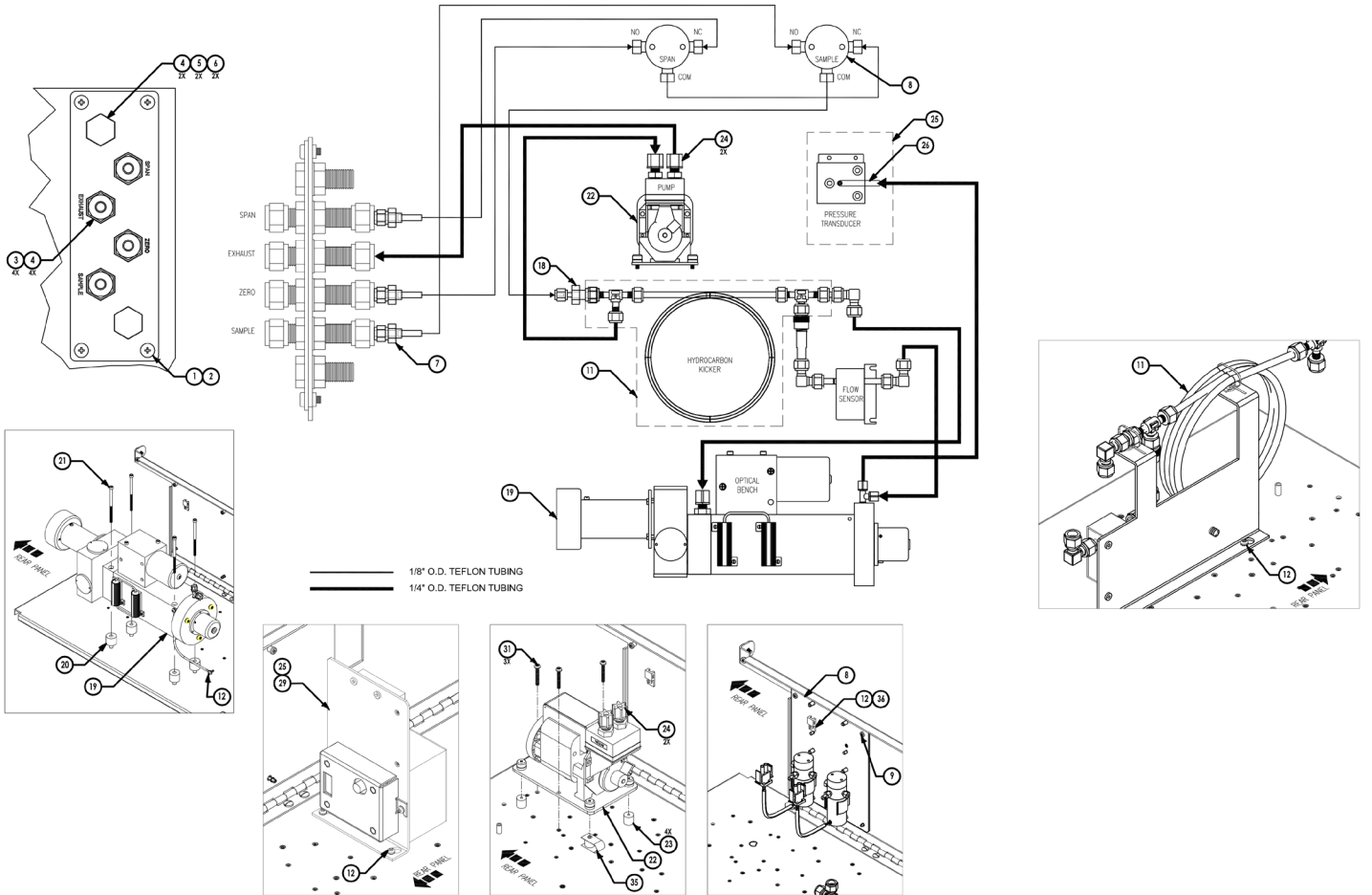
15 REF

# 43i Plumbing – Standard Unit BOM

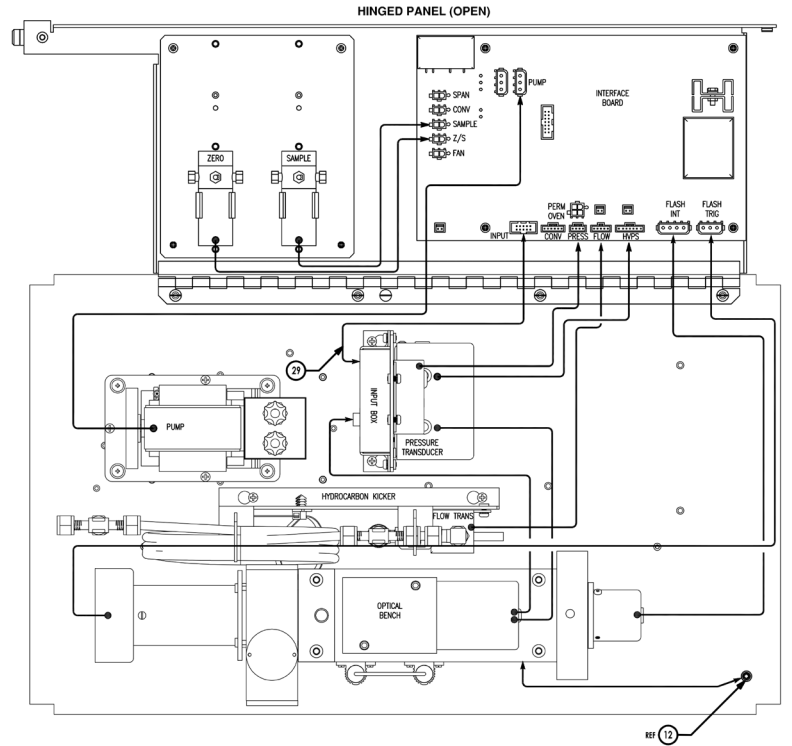
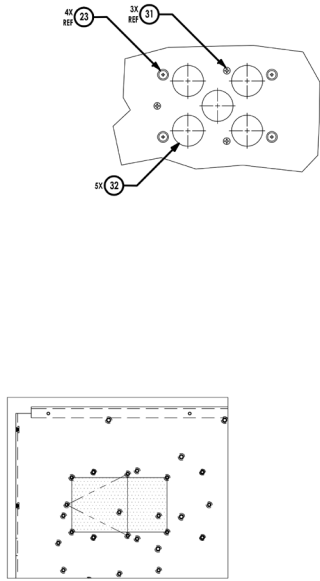
ITEM	DESCRIPTION	PART NO.	QTY	Component
1	Assy, Bulkhead Plate	102021-00	1	Not Sellable
2	Screw, 8-32 x 3/8" PH Pan Head SEMS	101844-00	4	Spare Part
3	Fitting, Union Bulkhead, 1/4T	4447	2	Spare Part
4	Washer, Lock, Internal Toothed, 7/16	5893	6	Spare Part
5	Nut, 7/16-14 SS	101323-00	4	Spare Part
6	Screw, 7/16-14 x 3/4 LG Hex HD SS	101322-00	4	Spare Part
13	Silastic Tubing	5500	1"	Spare Part
14	Kicker Bracket Assembly	101583-00	1	Spare Part
15	Screw, 8-32 x 3/8" PH Pan Head SEMS W/ Ext TTH L/W	37202	5	Spare Part
16	Bracket, HVPS & Input Box, Assy	102272-00	1	Not Sellable
17	Optical Bench Assy	101577-01	1	Spare Part
18	Shock Mount	8544	4	Spare Part
19	Screws, Socket HD 10-32 x 2-3/4"	8486	4	Spare Part
20	Pump, Assy	111553-00	1	Spare Part
21	Vibration Mount (Pump)	18061	4	Spare Part
23	Male Connector	8599	2	Spare Part
25	Assy Ribbon Cable - Input Board	101355-01	1	Spare Part
27	Screw, 6-32 x 3/4" PH Pan Head SEMS W/ Ext TTH L/W	102409-00	3	Not Sellable
28	Tubing, 43i Flow Sensor - Chamber End	104842-00	1	Not Sellable
29	Tubing, 43i Ptrans to Ch End	104843-00	1	Not Sellable
30	Tubing, 43i Kicker - Ch Inlet	104844-00	1	Not Sellable
31	Tubing, 43i Pump V - Samp Port	104846-00	1	Not Sellable
32	Tubing, 43i Pump P - Ext Port	104845-00	1	Not Sellable
33	Bumper, Shock	TR101RP	5	Spare Part
34	Teflon Tape	5766	A/R	Spare Part
35	Tie Wraps	5385	7	Not Sellable
36	Strap, Ground	102225-00	1	Spare Part



# 43i Plumbing – Zero/Span



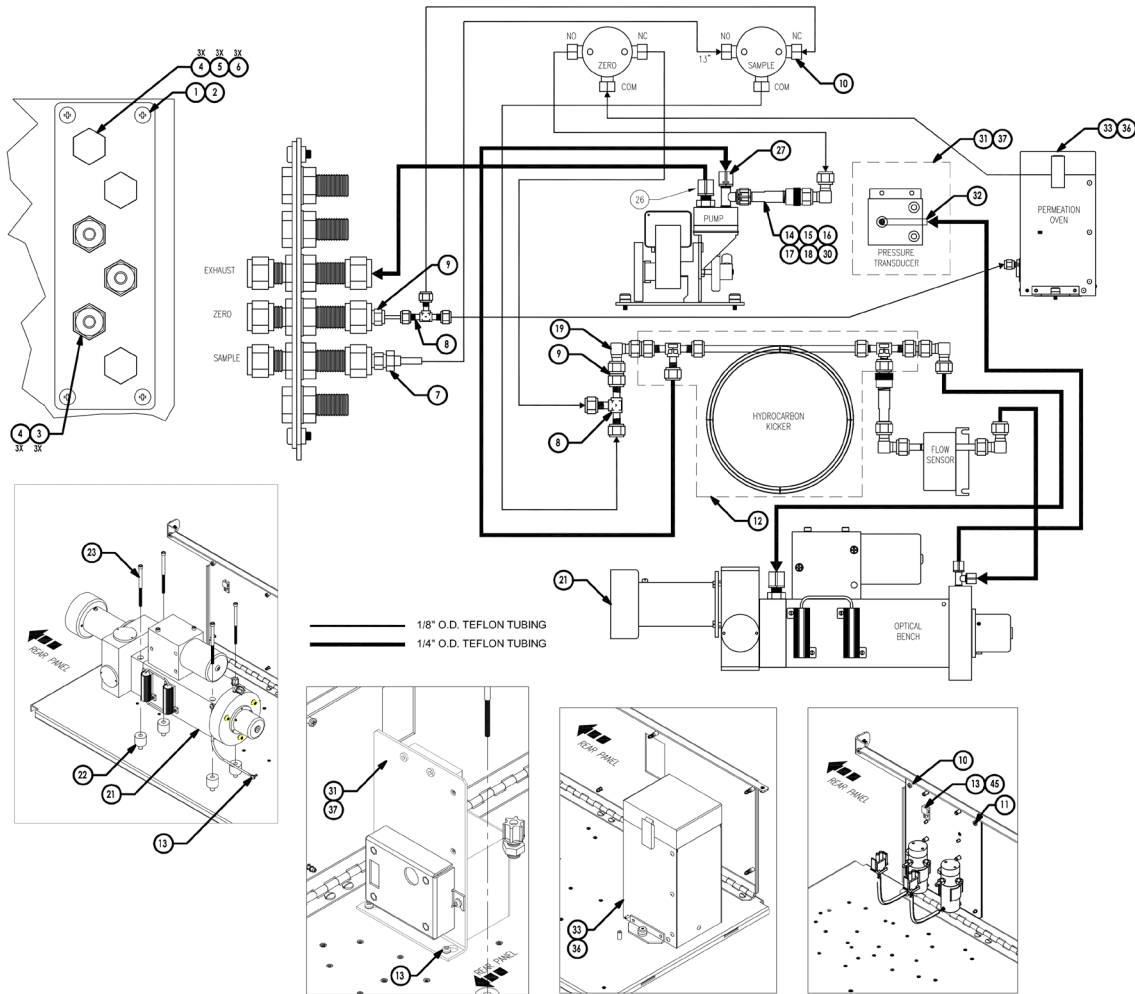
# 43i Plumbing – Zero/Span Continued



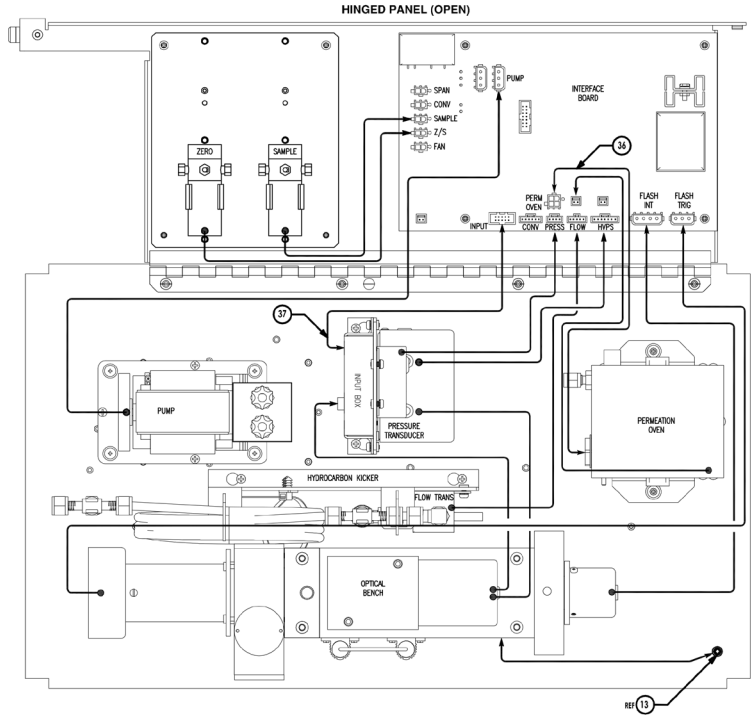
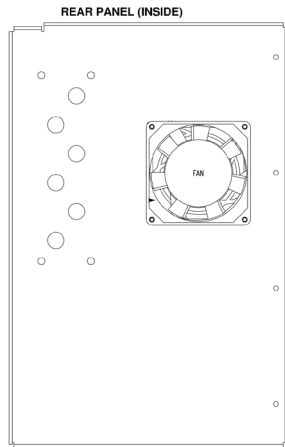
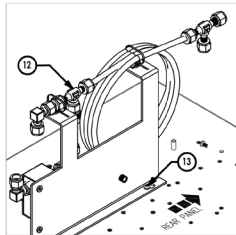
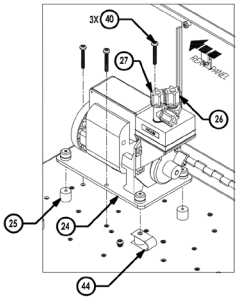
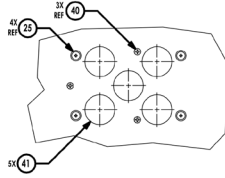
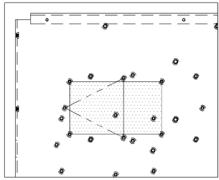
# 43i Plumbing – Zero/Span BOM

ITEM	DESCRIPTION	PART NO.	QTY	Component
1	Assy, Bulkhead Plate	102021-00	1	Not Sellable
2	Screw, 8-32 x 3/8" PH Pan Head SEMS	101844-00	4	Spare Part
3	Fitting, Union Bulkhead, 1/4T	4447	4	Spare Part
4	Washer, Lock, Internal Toothed, 7/16	5893	6	Spare Part
5	Nut, 7/16-14 SS	101323-00	2	Spare Part
6	Screw, 7/16-14 x 3/4 LG Hex HD SS	101322-00	2	Spare Part
7	Reducer	4411	3	Spare Part
8	Solenoid Mntg. Bracket Assy	101376-00	1	Spare Part
9	Screw, #6-32 x 1/4 Pan Head PH SEMS / Ext Washer	101405-00	2	Spare Part
11	Kicker Bracket Assembly	101583-00	1	Spare Part
12	Screw, 8-32 x 3/8" PH Pan Head SEMS w/ Ext TTH L/W	37202	6	Spare Part
18	Union Reducer 1/4" - 1/8"	4448	1	Spare Part
19	Optical Bench Assy	101577-01	1	Spare Part
20	Shock Mount	8544	4	Spare Part
21	Screw, Socket HD 10-32 x 2-3/4"	8486	4	Not Sellable
22	Pump, Assy	111553-00	1	Spare Part
23	Vibration Mount (Pump)	18061	4	Spare Part
24	Male Connector	8599	2	Spare Part
25	Bracket, HVPS & Input Box, Assy	102272-00	1	Not Sellable
26	Silastic Tubing	5500	1"	Spare Part
27	Tubing, Teflon 1/4"	5512	A/R	Spare Part
28	Tubing, Teflon 1/8"	5510	A/R	Spare Part
29	Assy, Ribbon Cable - Input Board	101355-01	1	Spare Part
31	Screw, 6-32 x 3/4" PH Pan Head SEMS W/ Ext TTH L/W	102409-00	3	Not Sellable
32	Bumper, Shock	TR101RP	5	Spare Part
33	Teflon Tape	5766	A/R	Spare Part
34	Tie Wraps	5385	13	Not Sellable
35	Strap, Ground	102225-00	1	Spare Part
36	Tie, Mount	5390	1	Not Sellable

# 43i Plumbing – Permeation Oven



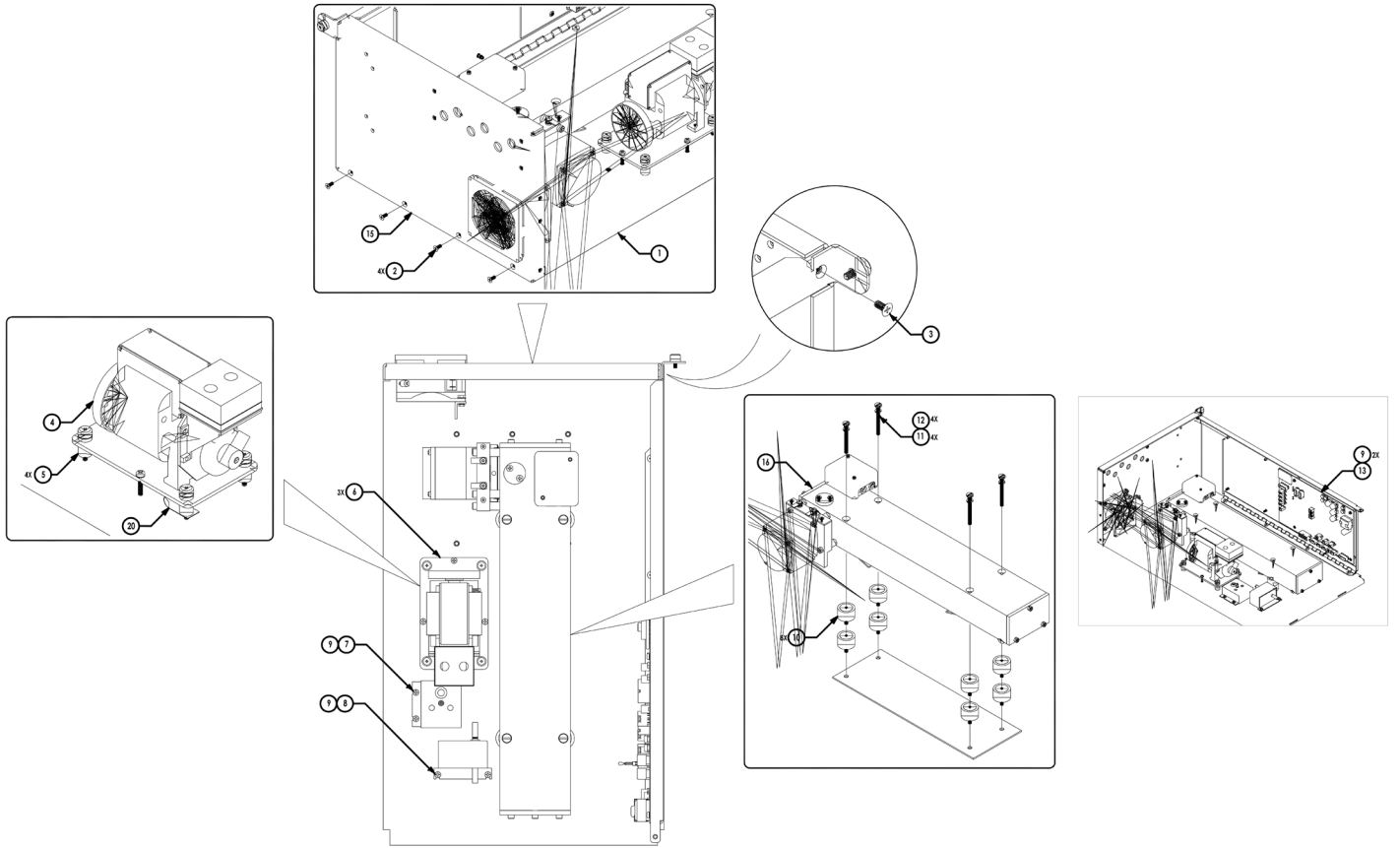
# 43i Plumbing – Permeation Oven Continued



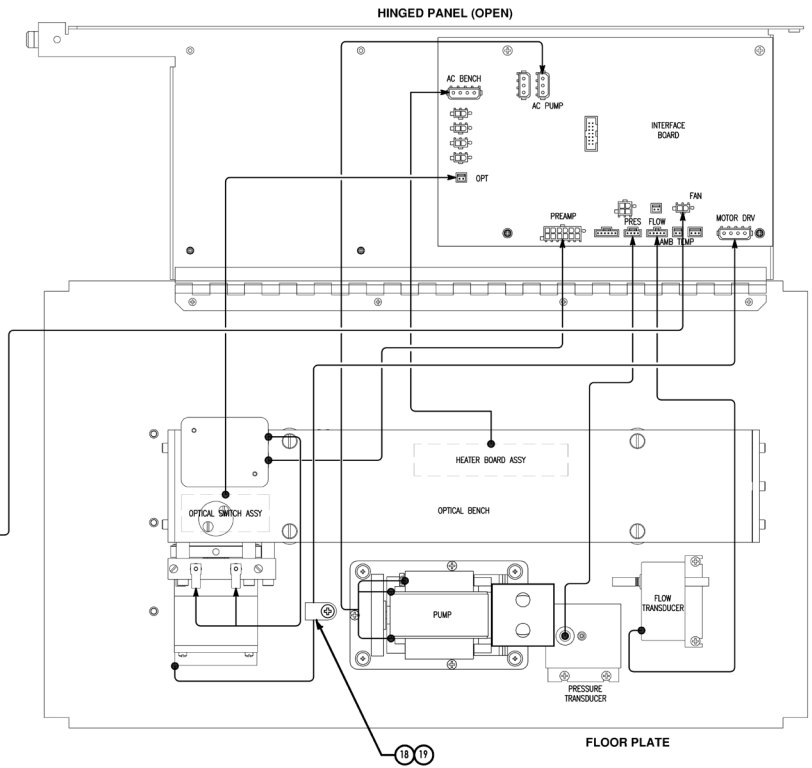
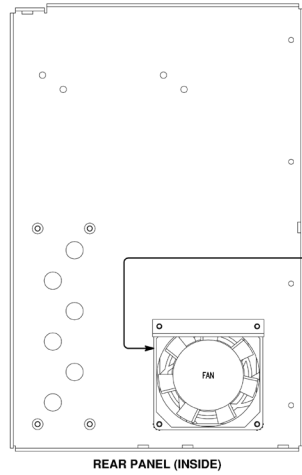
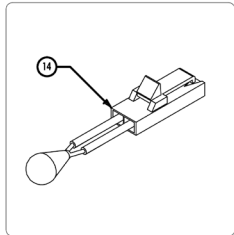
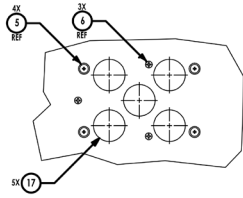
# 43i Plumbing – Permeation Oven BOM

ITEM	DESCRIPTION	PART NO.	QTY	Component
1	Assy, Bulkhead Plate	102021-00	1	Not Sellable
2	Screw, 8-32 x 3/8" PH Pan Head SEMS	101844-00	4	Spare Part
3	Fitting, Union Bulkhead, 1/4T	4447	3	Spare Part
4	Washer, Lock, Internal Toothed, 7/16	5893	6	Spare Part
5	Nut, 7/16-14 SS	101323-00	3	Spare Part
6	Screw, 7/16-14 x 3/4 LG Hex HD SS	101322-00	3	Spare Part
7	Reducer	4411	1	Spare Part
8	1/8" SS Union Tee	4414	2	Spare Part
9	Port Reducer	9205	2	Spare Part
10	Solenoid Mntg. Bracket Assy	101376-00	1	Spare Part
11	Screw, #6-32 x 1/4 Pan Head PH SEMS / Ext Washer	101405-00	2	Not Sellable
12	Kicker Bracket Assembly	101583-00	1	Spare Part
13	Screw, 8-32 x 3/8" PH Pan Head SEMS w/ Ext TTH L/W	37202	5	Not Sellable
14	Capillary Adapter 1/8"	4135	1	Spare Part
15	Capillary Nut	4148	1	Spare Part
16	Capillary Holder 1/4"	4138	1	Spare Part
17	Capillary	4119	1	Spare Part
18	O-Ring	4800	1	Spare Part
19	1/4" Union Elbow	4432	1	Spare Part
21	Optical Bench Assy	101577-01	1	Spare Part
22	Shock Mount	8544	4	Spare Part
23	Screw, Socket HD 10-32 x 2-3/4"	8486	4	Not Sellable
24	Pump, Assy	111553-00	1	Spare Part
25	Vibration Mount (Pump)	18061	4	Spare Part
26	Male Connector	8599	1	Spare Part
27	Kynar Male Run Tee 1/4"	8567	1	Spare Part
30	Union Elbow 1/8"	4405	1	Spare Part
31	Bracket, HVPS & Input Box, Assy	102272-00	1	Not Sellable
32	Silastic Tubing	5500	1"	Spare Part
33	Assembly Permeation & Thermistor	102030-00	1	Spare Part
34	Tubing, Teflon 1/4"	5512	A/R	Spare Part
35	Tubing, Teflon 1/8"	5510	A/R	Spare Part
36	Cable Assy Oven Option	101695-00	1	Spare Part
37	Assy Ribbon Cable - Input Board	101355-01	1	Spare Part
38	Scrubber Assy	4291	1	Spare Part
40	Screw, 6-32 x 3/4" PH Pan Head SEMS W/ Ext TTH L/W	102409-00	3	Not Sellable
41	Bumper, Shock	TR101RP	5	Spare Part
42	Teflon Tape	5766	A/R	Spare Part
43	Tie Wraps	5385	13	Not Sellable
44	Strap, Ground	102225-00	1	Spare Part
45	Tie, Mount	5390	1	Not Sellable

# 48i Measurement Case



# 48i Measurement Case Continued

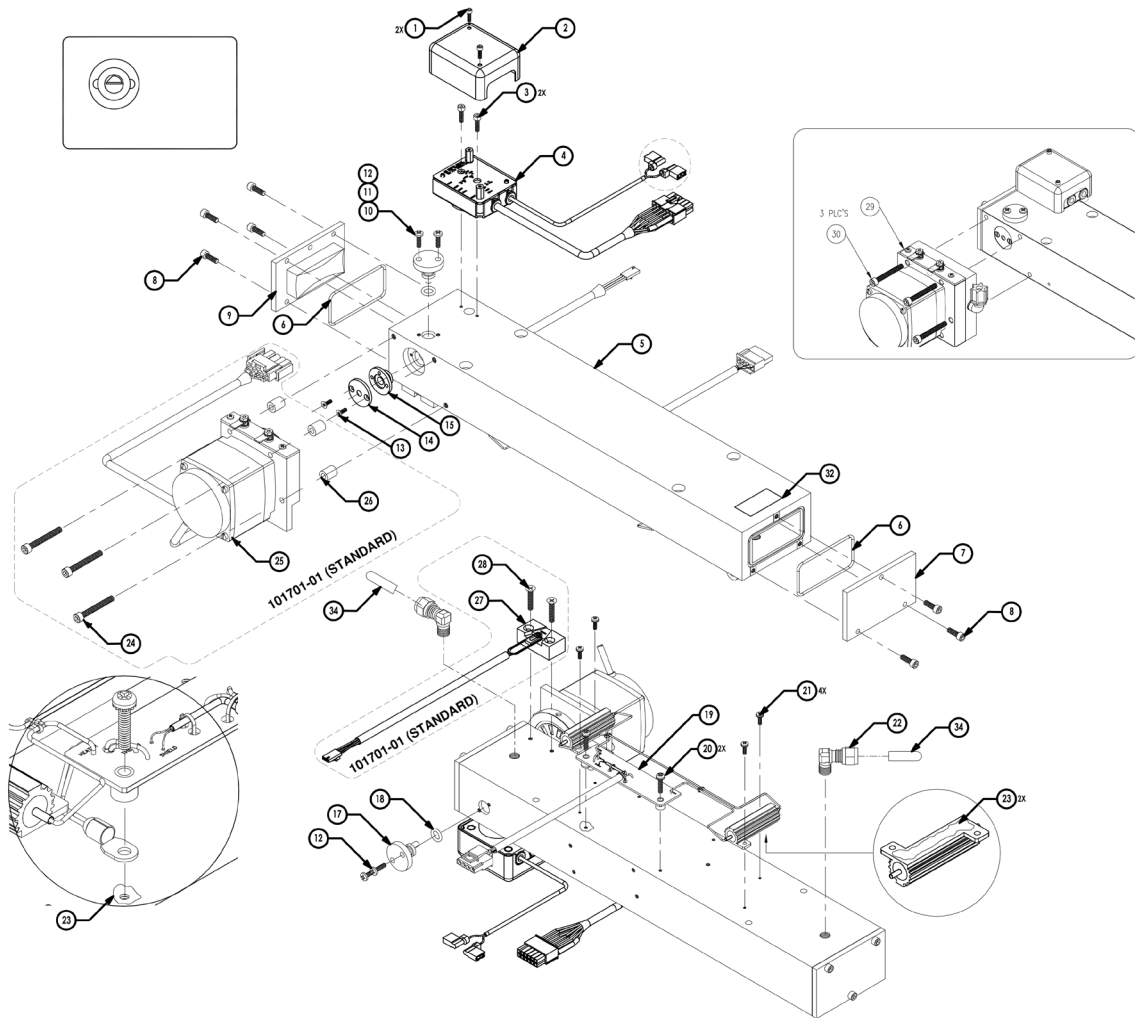




# 48i Measurement Case BOM

ITEM	DESCRIPTION	PART NO.	QTY	Component
1	Assy Floor Plate	101704-00	1	Not Sellable
2	Screw, Phl Flat HD 6-32 x 1/4" LG	101398-00	4	Not Sellable
3	Screw, Phl Flat HD 8-32 x 1/4" LG	101073-00	1	Not Sellable
4	Pump Assy	111553-00	1	Spare Part
5	Vibration Mounts (Pump)	18061	4	Spare Part
6	Screw, Phl Pan HD SEMS 6-32 x 3/4" LG	102409-00	3	Not Sellable
7	Pressure Transducer Assy	101023-00	1	Spare Part
8	Flow Transducer Assy	102055-00	1	Spare Part
9	Screw, Phl Pan HD SEMS 6-32 x 3/8" LG	101709-00	6	Spare Part
10	Shock Mount (Optical Bench)	103289-00	8	Spare Part
11	Screw, SLT Bind HD 10-32 x 2" LG	5876	4	Not Sellable
12	Lock Washer #10	7941	4	Not Sellable
13	Interface PCB Assy	117999-00	1	Spare Part
14	Thermistor Assy	101688-00	1	Spare Part
17	Bumper, Shock	TR101RP	5	Spare Part
18	Clamp, Cable, Plastic	4166	1	Not Sellable
19	Screw, #10-32 x 3/8 LG, Pan HD PH SEMS SS	102181-00	1	Not Sellable
20	Strap, Ground	102225-00	1	Spare Part
	<b>(Standard)</b>			
15	Rear Panel Assy	101698-01	1	Not Sellable
16	Optical Bench	101701-01	1	Spare Part
	<b>(Option Dual Span)</b>			
15	Rear Panel Assy	101698-02	1	Not Sellable
16	Optical Bench	101701-01	1	Spare Part
	<b>(Option Purge)</b>			
15	Rear Panel Assy	101698-01	1	Not Sellable
16	Optical Bench Assy	101701-02	1	Spare Part

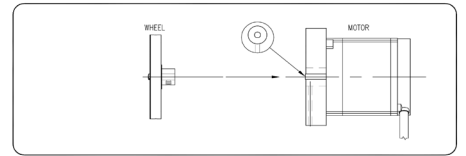
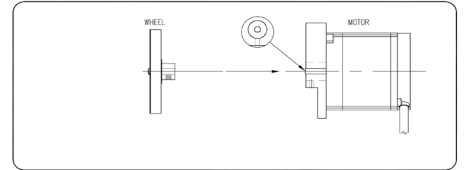
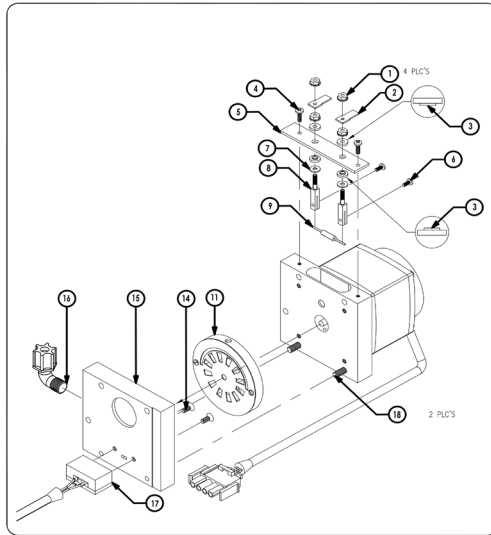
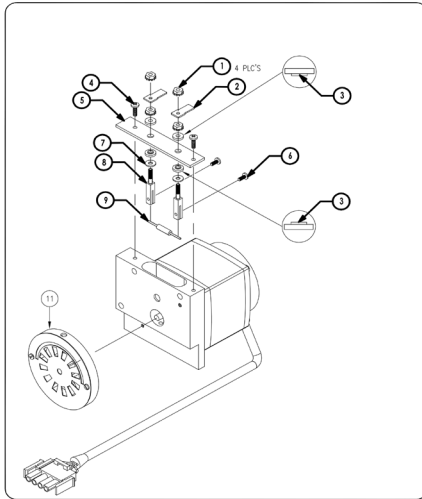
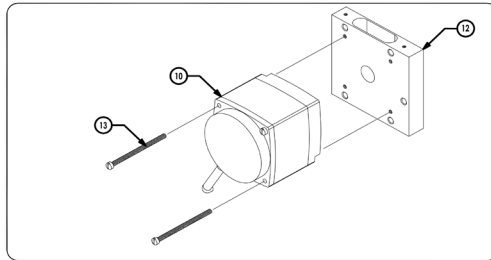
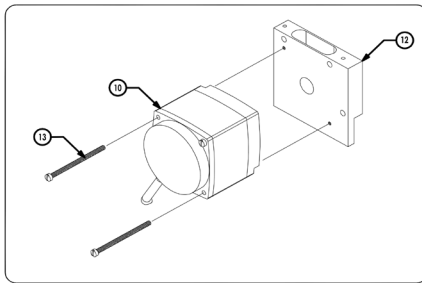
# 48i Optical Bench



# 48i Optical Bench BOM

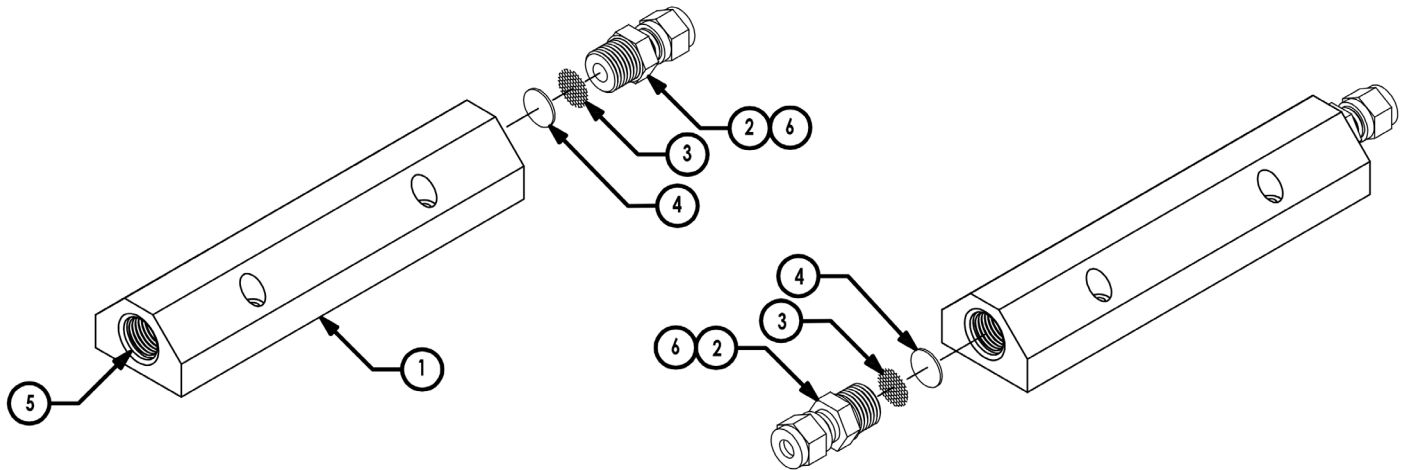
ITEM	DESCRIPTION	PART NO.	QTY	Component
1	Screw, Soc HD Cap 4-40 x 1/4" LG	7945	2	Not Sellable
2	Cover, Pre-amp	101422-00	1	Spare Part
3	Screw, Soc Cap HD 6-32 x 5/8" LG	8428	2	Spare Part
4	Detector Assembly	101780-00	1	Spare Part
5	Optical Bench	102016-00	1	Spare Part
6	O-Ring	4807	2	Spare Part
7	Relay Mirror	7411	1	Spare Part
8	Screw, SOC Cap HD 8-32 x 1/2" LG	7879	7	Not Sellable
9	Field Mirror	7412	1	Spare Part
10	O-Ring	4818	1	Spare Part
11	Entrance Mirror	7413	1	Spare Part
12	Screw, PHL Bind HD 6-32 x 1/2" LG	102191-00	4	Not Sellable
13	Screw, PHL Flat HD 4-40 x 3/8" LG	A2003YW	2	Spare Part
14	Aperture	7415	1	Spare Part
15	Filter Interference Assy	7380	1	Spare Part
16	Teflon Tape	5766	A/R	Spare Part
17	Exit Mirror	7414	1	Spare Part
18	O-Ring	4826	1	Spare Part
19	Heater Board Assy	101686-00	1	Spare Part
20	Screw, PHL PAN HS SEMS 6-32 x 5/8" LG	102192-00	2	Not Sellable
21	Screw, PHL PAN HS SEMS 4-40 x 3/8" LG	102175-00	4	Not Sellable
22	Elbow, Male 1/8 NPT To 1/4T	4430	2	Spare Part
23	Silicone Compound	5726	A/R	Spare Part
31	High Vacuum Grease	5771	A/R	Spare Part
32	Label, Barcode	111573-00	1	Not Sellable
34	Cap, .187 ID, 1.00 LG, Vinly	4786	2	Spare Part
	<b>(Standard)</b>			
24	Screw, SOC Cap HD 10-32 x 1-1/2" LG	7967	3	Spare Part
25	Motor & Wheel Assy With Standard Motor Plate	101703-01	1	Spare Part
26	Spacer	7417	3	Spare Part
27	Assy, Optical Switch, STD, 24v	119732-00	1	Not Sellable
28	Screw, Phl Flat HD 8-32 x 3/4" LG	102480-00	2	Not Sellable
	<b>(Option Purge)</b>			
29	Motor & Wheel & Purge with Optical Switch Assy	101703-02	1	Spare Part
30	Screw, SOC Cap HD 10-32 x 1-1/2" LG	7967	3	Spare Part

# 48i Motor Assy



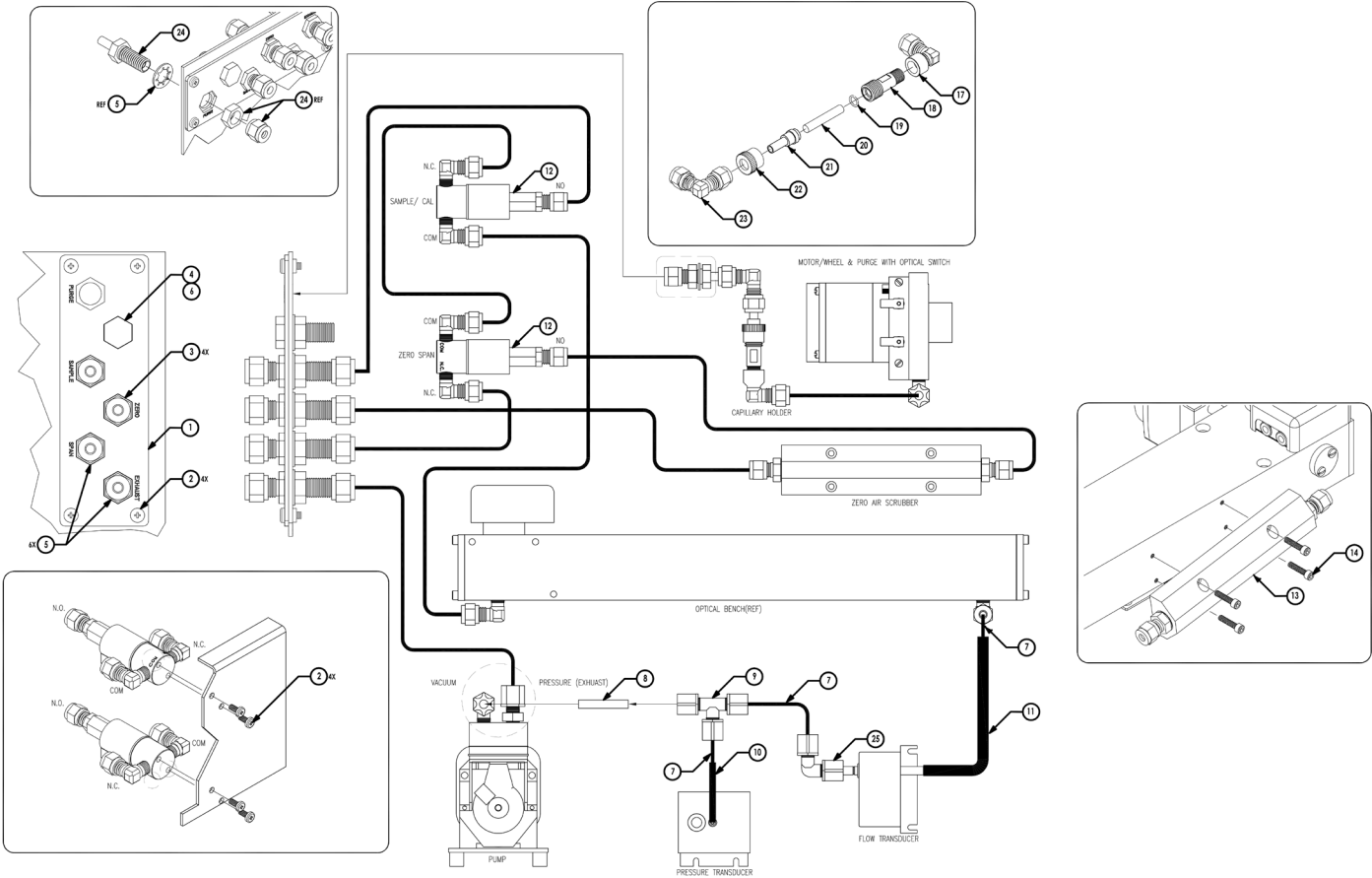
ITEM	DESCRIPTION	PART NO.	QTY	Component
1	Nut, SEMS 4	8462	4	Spare Part
2	Connector, Brass	7387	2	Spare Part
3	Washer, Fiber	7386	4	Spare Part
4	Screw, Phl Bind HD 4-40 x 3/8" LG	102175-00	2	Not Sellable
5	Source Cover	7384	1	Spare Part
6	Screw, Phl Bind HD 3-56 x 1/4" LG	102571-00	2	Not Sellable
7	Washer, Flat 4	8438	2	Spare Part
8	Source Mount	7385	2	Spare Part
9	Resistor, Source (.15+/-5%)	7361	1	Consumable
10	Cable Motor Drive Assy	101427-00	1	Spare Part
11	Filter Wheel Assy	7358	1	Spare Part
13	Screw, SL Fill HD 8-32 x 2" LG	8437	2	Not Sellable
19	Teflon Tape	5766	A/R	Spare Part
	<b>(Standard)</b>			
12	Motor Plate (Standard)	7418	1	Spare Part
	<b>(Option Purge with Optical Switch)</b>			
12	Motor Plate (Flat)	7543	1	Spare Part
14	Screw, Phl Flat HD 6-32 x 3/8" LG	101166-00	2	Spare Part
15	Wheel Housing	7544	1	Spare Part
16	Kynar Elbow, 1/8 NPT to 1/4T	8569	1	Spare Part
17	Assy, Optical Switch, Purge, 24v	119733-01	1	Not Sellable
18	Screw, Soc Cap HD 10-32 x 1" LG	7966	2	Spare Part

# 48i Zero Air Scrubber

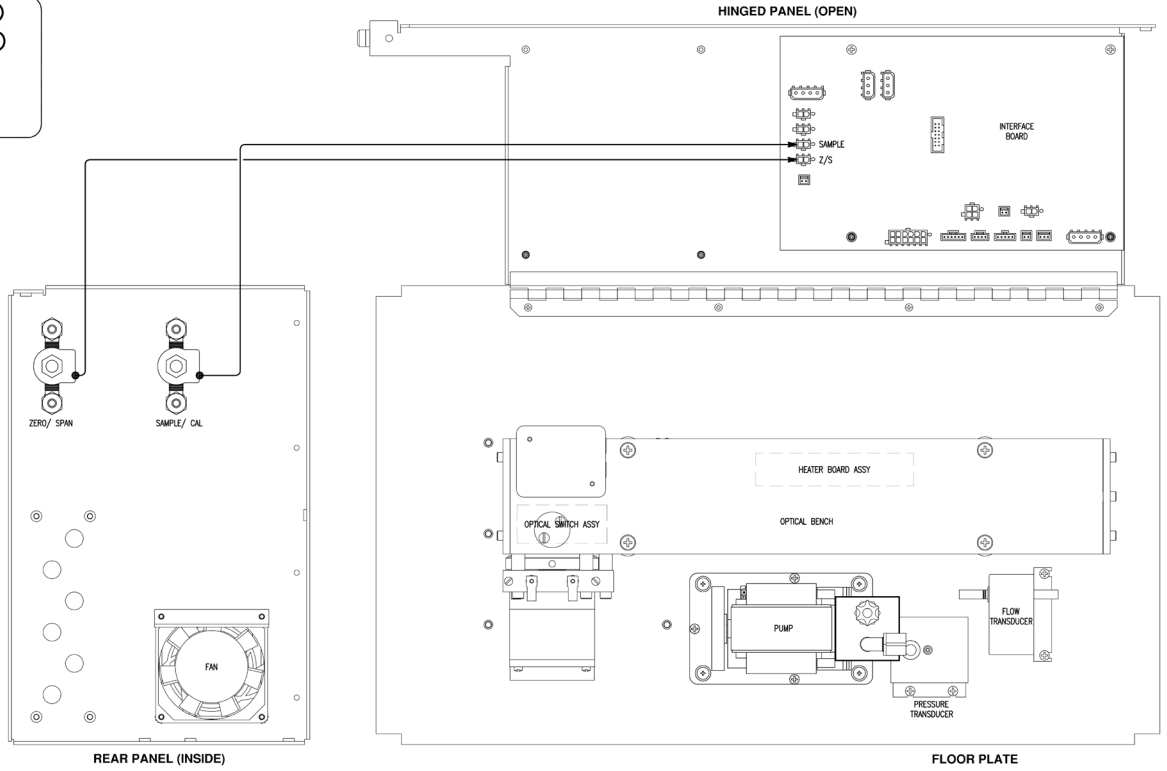
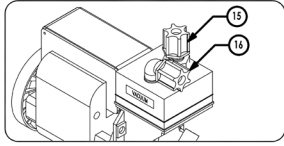


ITEM	DESCRIPTION	PART NO.	QTY	Component
1	SCRUBBER	7238	1	Spare Part
2	FITTING, CONNECTOR, 1/4T OD, 9/16-18M SAE/MS, SS	4379	2	Spare Part
3	SCREEN, SIEVE, Ø.28, SS	5210	2	Not Sellable
4	Quartz Wool	4145	1	Not Sellable
5	Catalyst Carulite 300	7076	1	Not Sellable
6	Teflon Tape	5766	A/R	Spare Part

# 48i Plumbing – Zero Air Scrubber



# 48i Plumbing – Zero Air Scrubber Continued

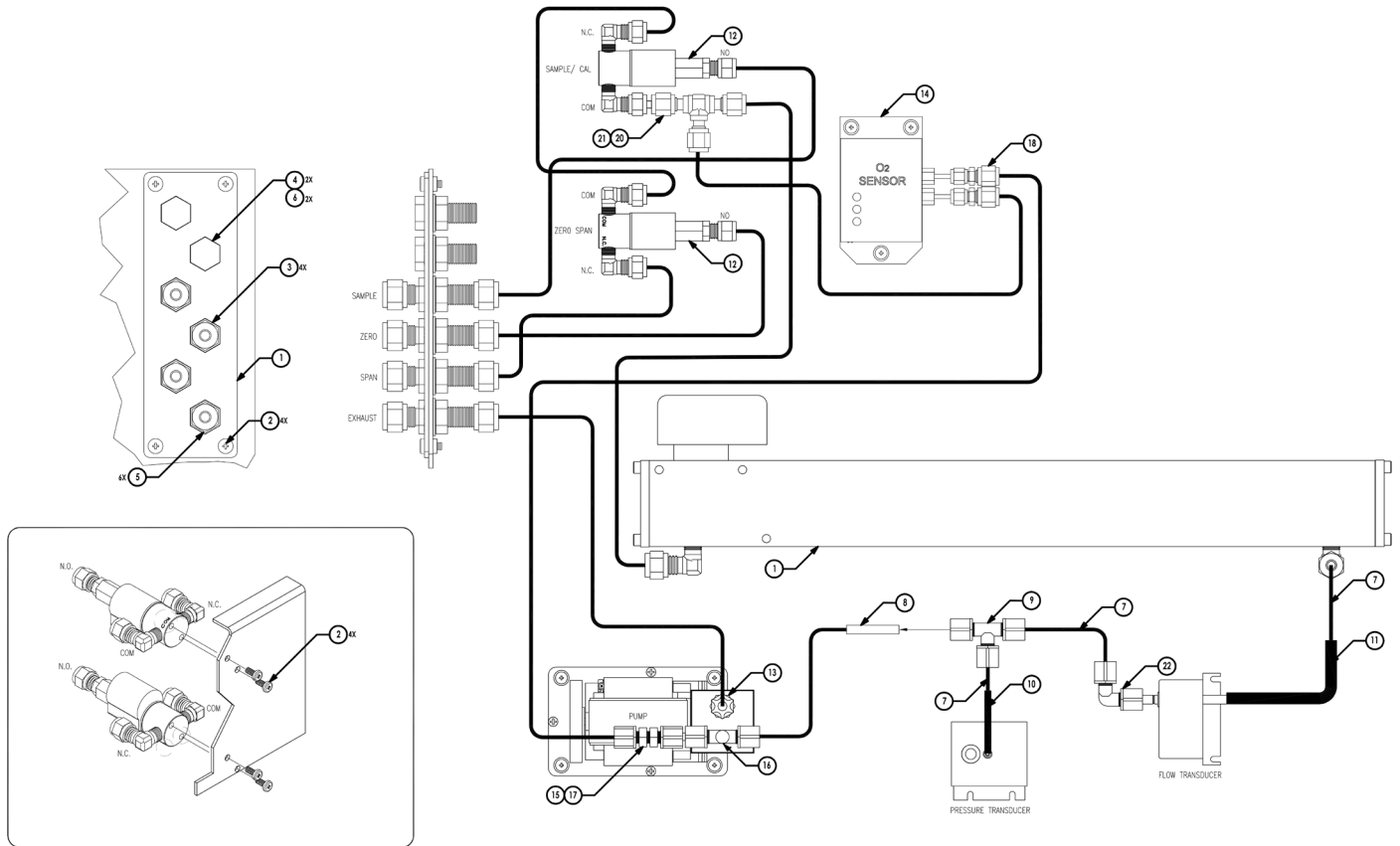


# 48i Plumbing – Zero Air Scrubber BOM

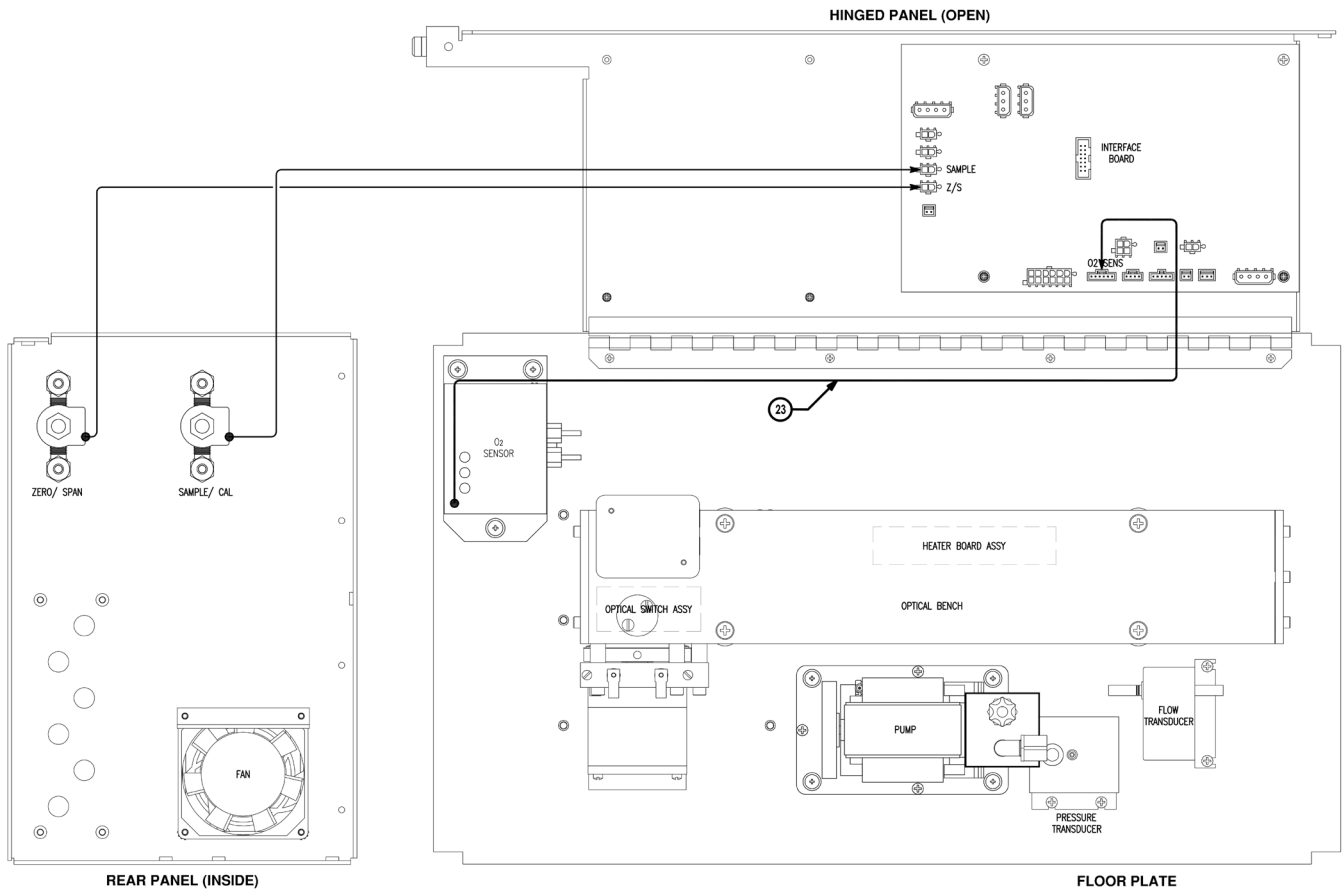
ITEM	DESCRIPTION	PART NO.	QTY	Component
1	Assy, Bulkhead Plate	101712-00	1	Spare Part
2	Screw, 8-32 x 3/8 LG Pan HD PH SEMS Internal	101844-00	8	Spare Part
3	Fitting, Union Bulkhead, 1/4T	4447	4	Spare Part
4	Screw, 7/16-14 x 3/4 LG Hex HD SS	101322-00	1	Spare Part
5	Washer, Int Lock 7/16	5893	6	Spare Part
6	Nut, 7/16-14 SS	101323-00	1	Spare Part
7	Tubing, Teflon 1/4"	5512	A/R	Spare Part
8	Capillary, Blue/Purple	7336	1	Consumable
9	Kynar, Tee 1/4T	10131	1	Spare Part
10	Tubing, Silastic 1/4" OD	5500	A/R	Spare Part
11	Tubing, Silastic 5/16" OD	5496	A/R	Spare Part
12	Solenoid Valve Assy, 3-Way	101866-01	2	Spare Part
13	Zero Air Scrubber Assy	101867-00	1	Spare Part
14	Screw, Soc Cap HD 8-32 x 3/4" LG	7880	4	Spare Part
15	Male Connector (1/4 To 1/8)	8599	1	Spare Part
16	Male Elbow (1/4 To 1/8)	8569	1	Spare Part
17	Elbow	4429	1	Spare Part
18	Capillary Holder	8311	1	Spare Part
19	O-Ring	4800	1	Consumable
20	Capillary, 1.5" LG (Green)	4115	1	Consumable
21	Capillary Adapter	4136	1	Spare Part
22	Capillary Nut	4148	1	Spare Part
23	Elbow, 1/4T SS	4432	1	Spare Part
24	Bulkhead Adapter, 1/4T SS	8113	1	Spare Part
25	Elbow, Union, 1/4	109179-00	1	Spare Part
27	Tie Wrap	5385	15	Not Sellable



# 48i Plumbing – Oxygen Sensor



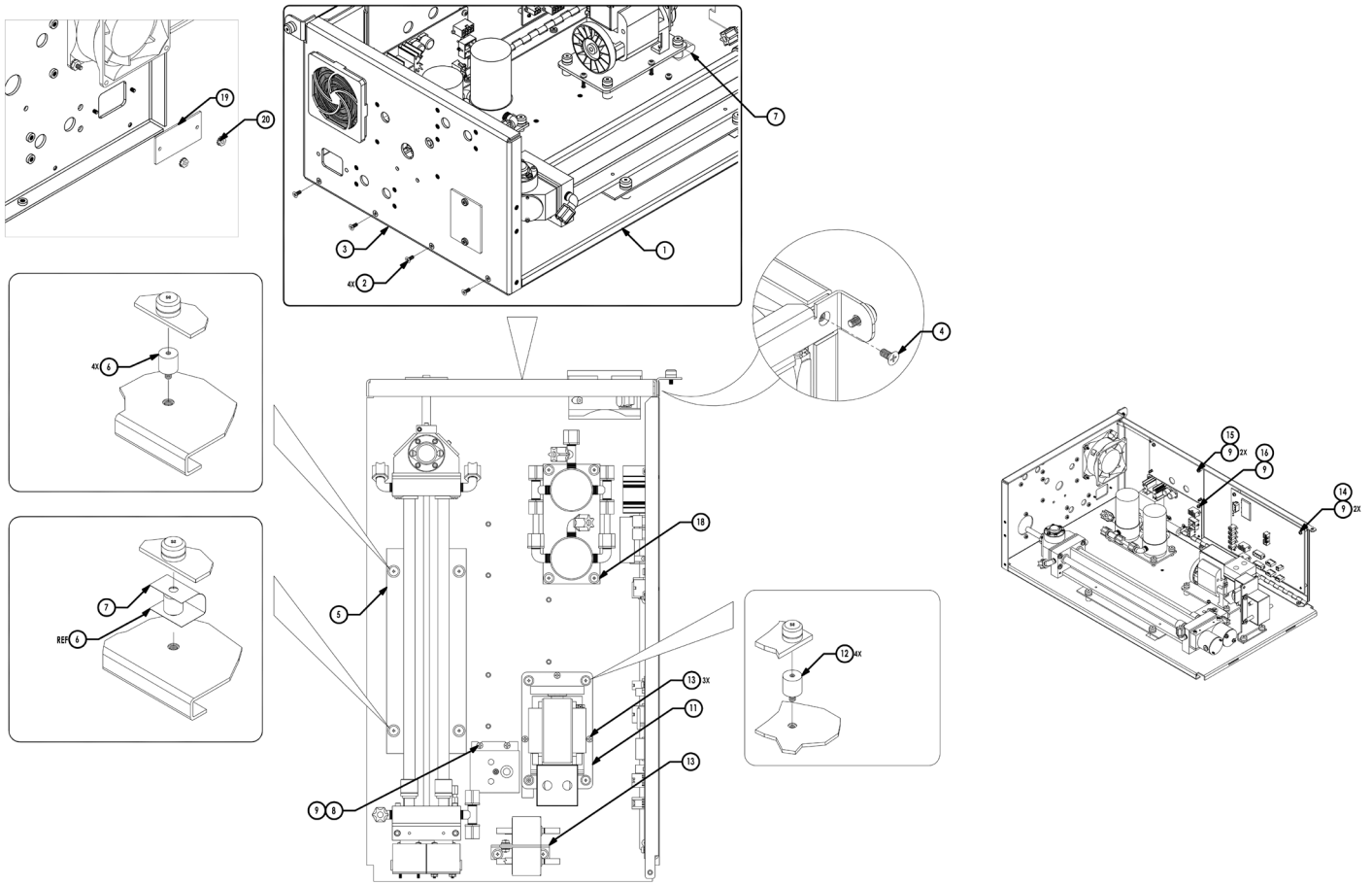
# 48i Plumbing – Oxygen Sensor Continued



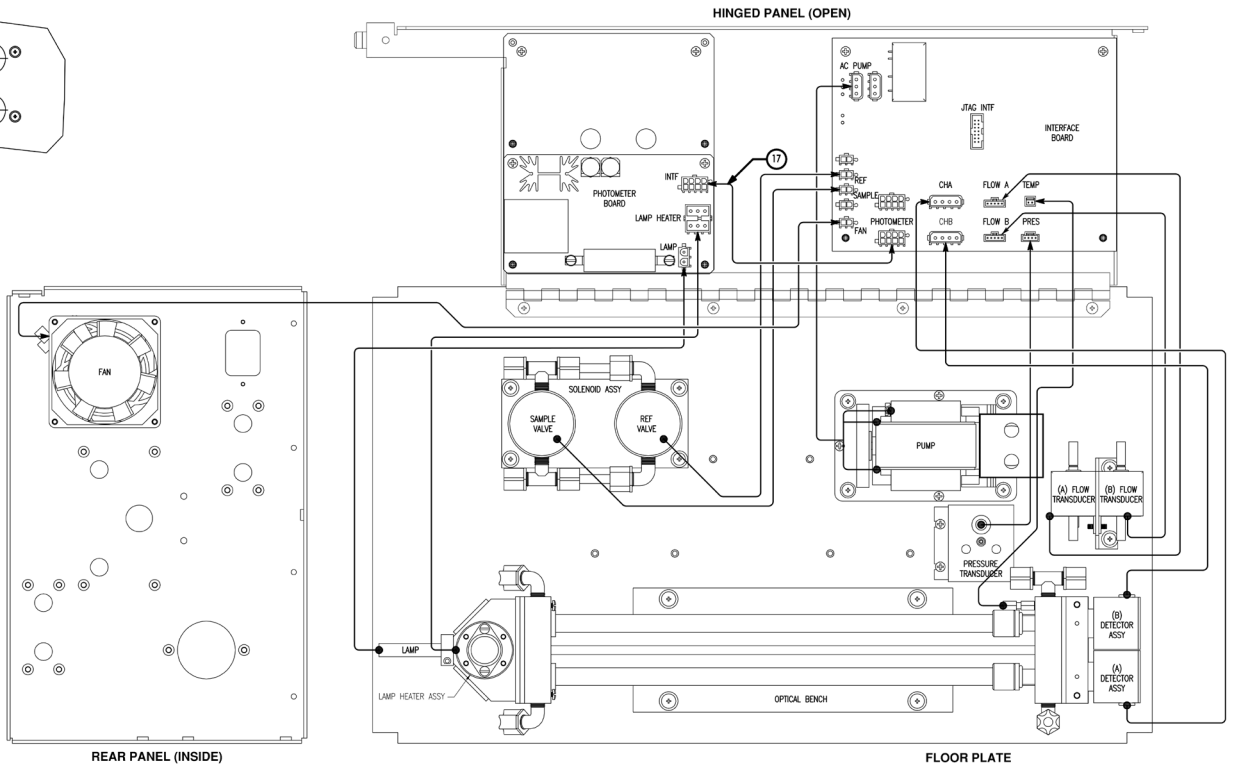
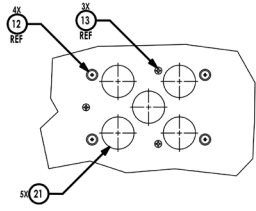
# 48i Plumbing – Oxygen Sensor BOM

ITEM	DESCRIPTION	PART NO.	QTY	Component
1	Assy, Bulkhead Plate	101712-00	1	Spare Part
2	Screw, 8-32 x 3/8 LG Pan HD PH SEMS Internal	101844-00	8	Spare Part
3	Fitting, Union Bulkhead, 1/4T	4447	4	Spare Part
4	Screw, 7/16-14 x 3/4 LG Hex HD SS	101322-00	2	Spare Part
5	Washer, Split 7/16	5893	6	Spare Part
6	Nut, 7/16-14 SS	101323-00	2	Spare Part
7	Tubing, Teflon 1/4"	5512	A/R	Spare Part
8	Capillary, Blue/Purple	7336	1	Consumable
9	Kynar, Tee 1/4T	10131	1	Spare Part
10	Tubing, Silastic 1/4" OD	5500	A/R	Spare Part
11	Tubing, Silastic 5/16" OD	5496	A/R	Spare Part
12	Solenoid Valve Assy, 3-Way	101866-01	2	Spare Part
13	Male Connector (1/4 To 1/8)	8599	1	Spare Part
14	Oxygen Sensor Assy	104678-00	1	Optional
15	Union Bulkhead Kynar 1/4	8570	1	Spare Part
16	Tee Run Kynar 1/4	8598	1	Spare Part
17	Capillary Red	4119	1	Consumable
18	Reducing Union 1/4 x 1/8	4448	2	Spare Part
19	Assy Ribbon Cable O2 Sensor	104686-00	1	Spare Part
20	Tee Run 1/4	4445	1	Spare Part
21	Port Connector 1/4"	4475	1	Spare Part
22	Elbow, Union, 1/4	109179-00	1	Spare Part

# 49i Measurement Case



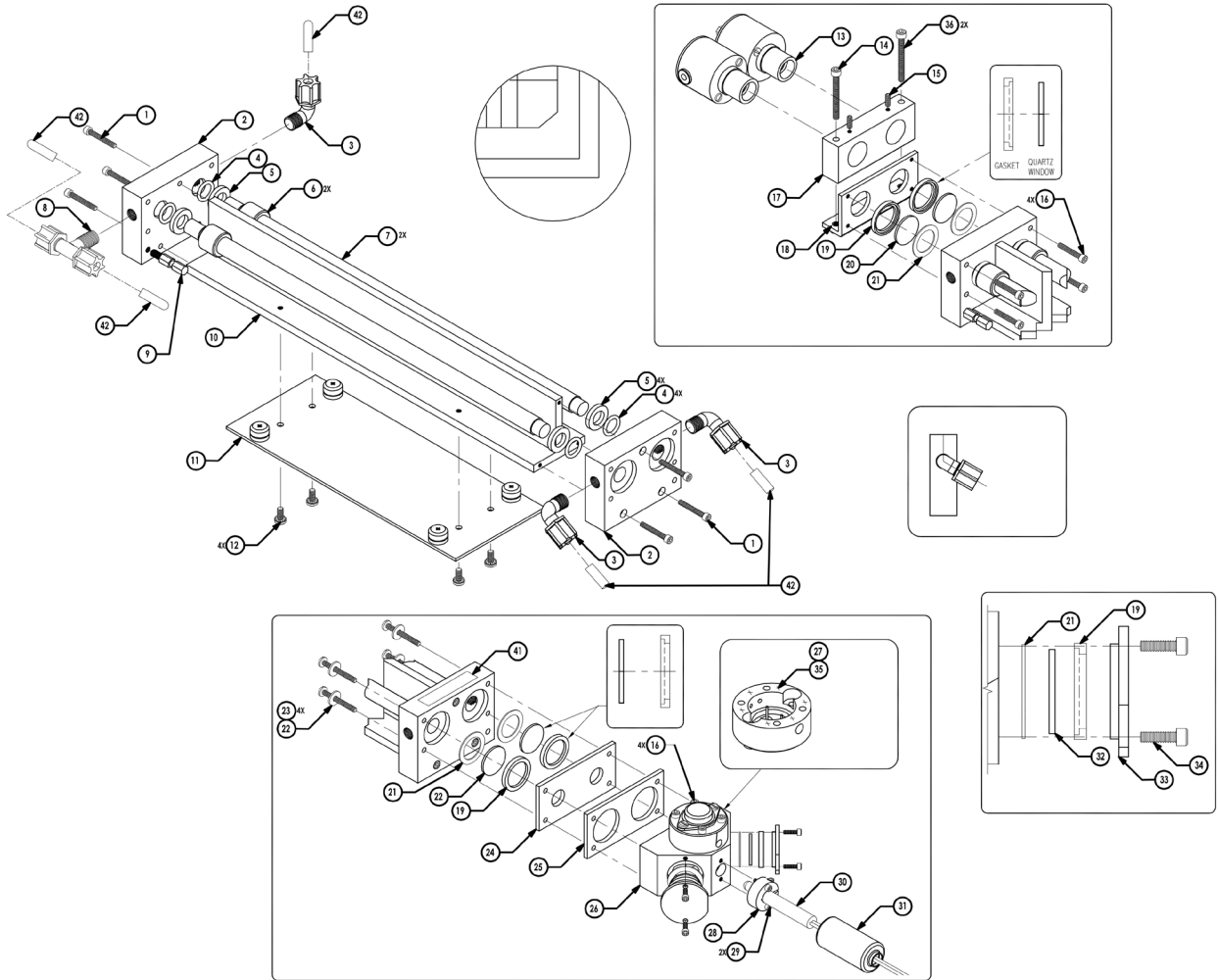
# 49i Measurement Case Continued



# 49i Measurement Case BOM

ITEM	DESCRIPTION	PART NO.	QTY	Component
1	Assy, Floor Plate	102438-00	1	Not Sellable
2	Screw, Phl Flat HD 6-32 x 1/4" LG	101398-00	4	Not Sellable
3	Rear Panel Assy	102437-00	1	Not Sellable
4	Screw, Phl Flat HD 8-32 x 1/4" LG	101073-00	1	Not Sellable
5	Optical Bench	102439-00	1	Spare Part
6	Shock Mount (Optical Bench)	8544	4	Spare Part
7	Ground Strap	102225-00	2	Spare Part
8	Pressure Transducer Assy	101023-00	1	Spare Part
9	Screw, Phl Pan HD SEMS 6-32 x 3/8" LG	101709-00	8	Spare Part
10	Flow Transducer & Bracket Assy	102440-00	1	Not Sellable
11	Pump Assy	111553-00	1	Spare Part
12	Vibration Mounts (Pump)	18061	4	Spare Part
13	Screw, Phl Pan HD SEMS 6-32 x 3/4" LG	102409-00	3	Not Sellable
14	Interface PCB Assy	100874-00	1	Spare Part
15	Plate, Ozonator BD	102540-00	1	Spare Part
16	PCB BD, Photometer	102554-00	1	Spare Part
17	Cable Assy, Interface BD To Photometer BD	101706-00	1	Spare Part
21	Bumper Shock	TR101RP	5	Spare Part
	<b>(49i)</b>			
18	Sample/Ref Solenoid Assy	102441-02	1	Spare Part
	<b>(49iPS)</b>			
18	Sample/Ref Solenoid Assy	102441-02	1	Spare Part
19	Plate, Blank	100963-00	1	Spare Part
20	Keps, Nut, 4-40	100435-00	2	Spare Part

# 49i Photometer Assy.

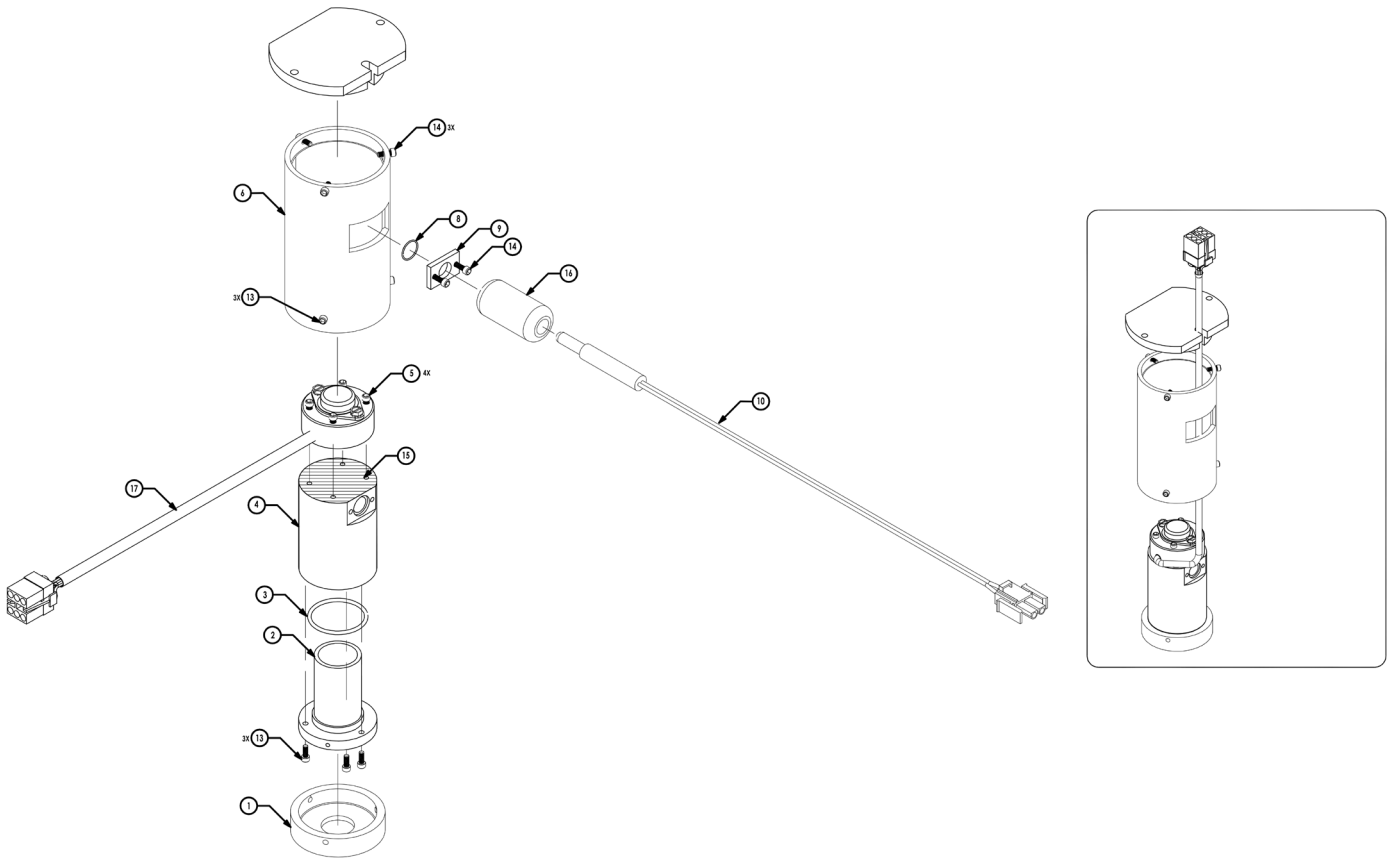


# 49i Photometer Assy. BOM

ITEM	DESCRIPTION	PART NO.	QTY	Component
1	Screw, Soc Cap HD 6-32 x 1" LG	8446	6	Not Sellable
2	Block, Input / Output	8564	2	Spare Part
3	Elbow, Male 1/8 NPT To 1/4T (Kynar)	8569	3	Spare Part
4	O-Ring, Silicon	8579	4	Spare Part
5	Washer	8565	4	Spare Part
6	Nut, Knurled	8566	2	Spare Part
7	Absorption Tube	8542	2	Spare Part
8	Tee - Male Branch	8598	1	Spare Part
9	Thermistor Assy	102447-00	1	Spare Part
10	Tee	8552	1	Not Sellable
11	Plate, Bench Support	102454-00	1	Spare Part
12	Screw, Phl Pan HD SEMS 8-32 x 3/8" LG	37202	4	Spare Part
13	Assy, UV Detector, Tested, 49i	120129-00	2	Not Sellable
14	Screw, Soc Cap HD 8-32 x 1-1/2" LG	8485	2	Spare Part
15	Screw, Set, Brass Tip, #6-32, 1/4, SS	21-012355-0004	2	Not Sellable
16	Screw, Soc Cap HD 6-32 x 7/8" LG	7874	8	Spare Part
17	Block, Clamping Photocell	9976	1	Spare Part
18	Block, Mounting Photocell	9978	1	Spare Part
19	Gasket, Silicon	8549	6	Spare Part
20	Window, Quartz	8545	4	Spare Part
21	Washer, Teflon	8548	6	Spare Part
22	Screw, Slot Binder HD 6-32 x 1-1/4" LG	8442	4	Spare Part
23	Washer, Flat, #6	8450	4	Not Sellable
24	Plate, O-Ring	8556	1	Spare Part
25	Insulator, Lamp Block	8557	1	Spare Part
26	Block, Lamp	8982	1	Spare Part
27	PCB Lamp Heater Assy	10763	1	Spare Part
28	Lamp, Holder	8561	1	Not Sellable
29	Screw, Soc Cap HD 4-40 x 1/2" LG	7864	2	Spare Part
30	Lamp, Photometer	8540	1	Spare Part
31	Insulator Assy	8322	1	Spare Part
32	Mirror, Relay	8546	2	Spare Part
33	Lamp, Mirror Holder	8560	2	Spare Part
34	Screw, Soc Cap HD 4-40 x 1/2" LG	8443	4	Spare Part
35	Heatsink Compound	5726	A/R	Spare Part
36	Anti Seize Compound	6967	A/R	Spare Part
39	Teflon Tape	5766	A/R	Spare Part
40	Tie, Cable, 4"	5385	3	Not Sellable
41	Label, Barcode	111753-00	1	Not Sellable
42	Cap, .187 ID, 1.00 LG, Vinyl	4786	5	Spare Part
43	Optical Bench Packaging	114897-00	A/R	Not Sellable

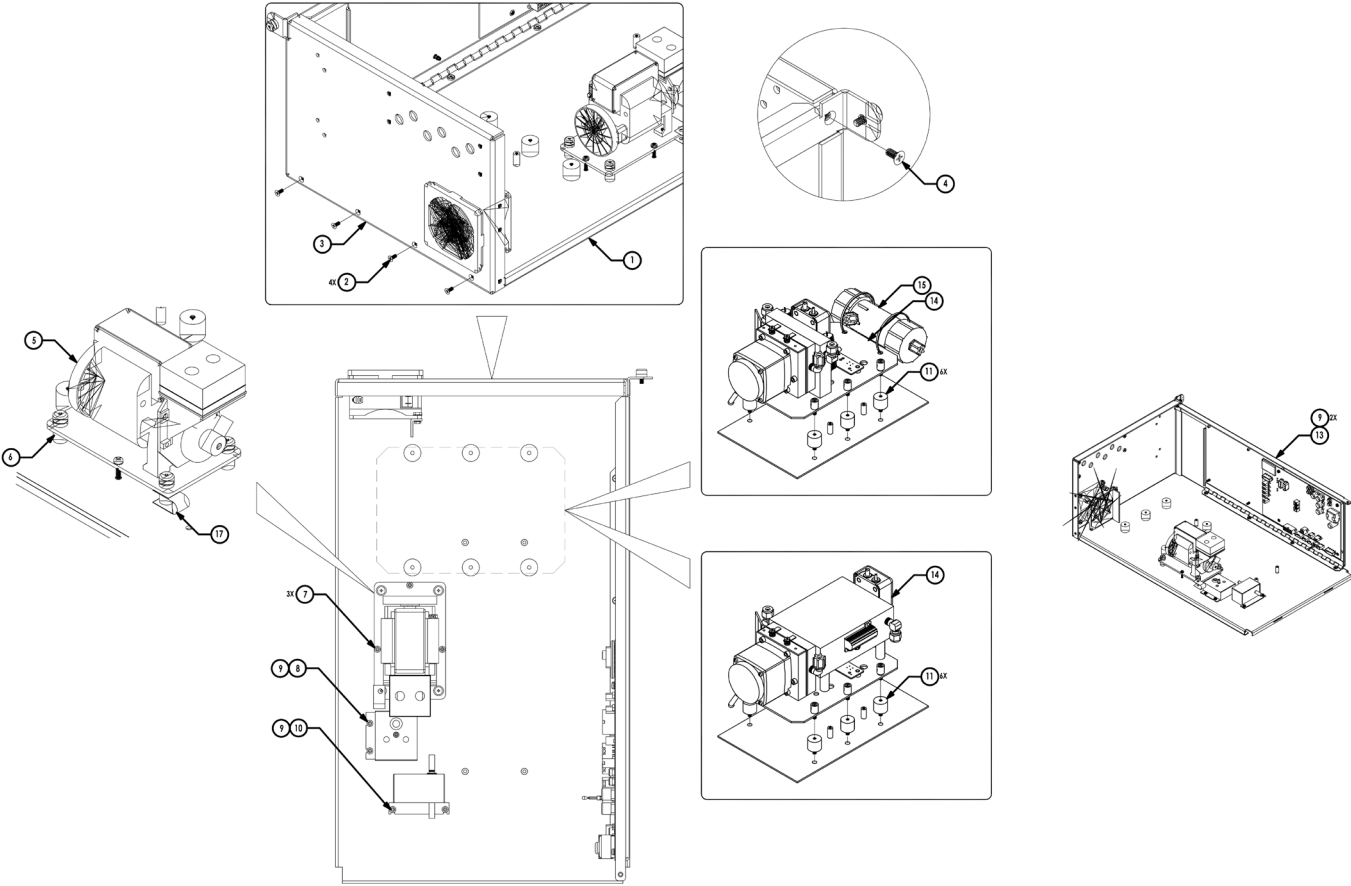


# 49i Ozonator Assy.

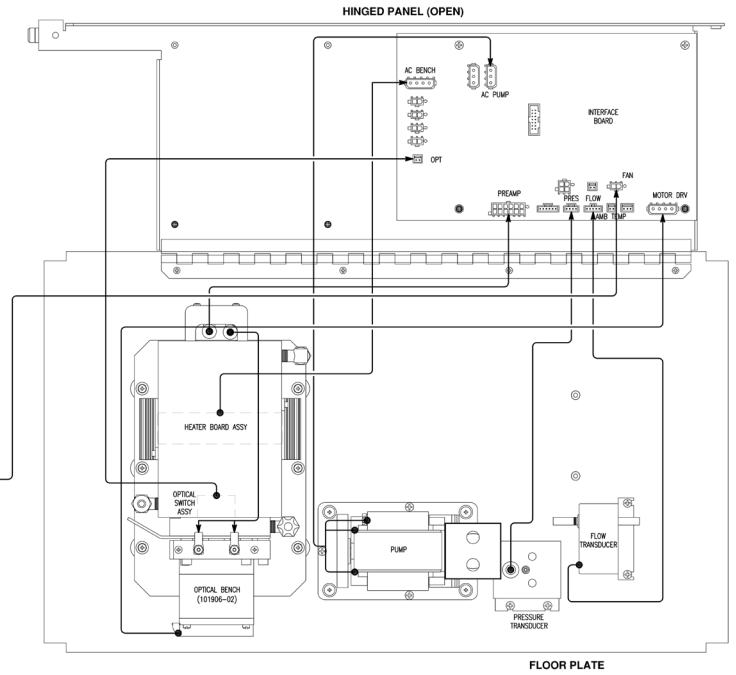
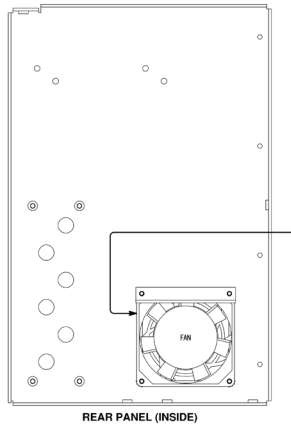
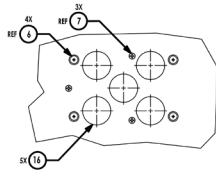
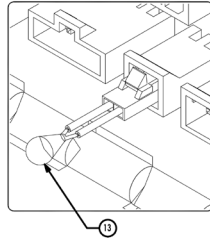
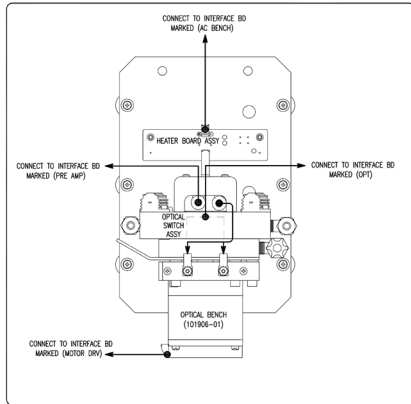


ITEM	DESCRIPTION	PART NO.	QTY	Component
1	Bottom Flange	8308	1	Not Sellable
2	Ozonator Housing - Inner	8319	1	Spare Part
3	O-Ring	4803	1	Spare Part
4	Ozonator Housing - Outer	8320	1	Spare Part
5	Screw - SHC #6-32 x 7/8"	7874	4	Spare Part
6	Housing	8307	1	Spare Part
7	Top Flange	100995-00	1	Spare Part
8	O-Ring	4802	1	Spare Part
9	Lamp Clamp	8306	1	Not Sellable
10	Lamp - Mercury Vapor/Ozone Forming Assy	8645	1	Spare Part
13	Screw - SHC #4-40 x 1/2"	7864	6	Spare Part
14	Screw - SHC #4-40 x 3/8"	8443	5	Spare Part
15	Thermal Compound	5726	A/R	Spare Part
16	Insulator Assy - Lamp	8322	1	Spare Part
17	Lamp Heater Board Assy	10763	1	Spare Part

# 410i Measurement Case



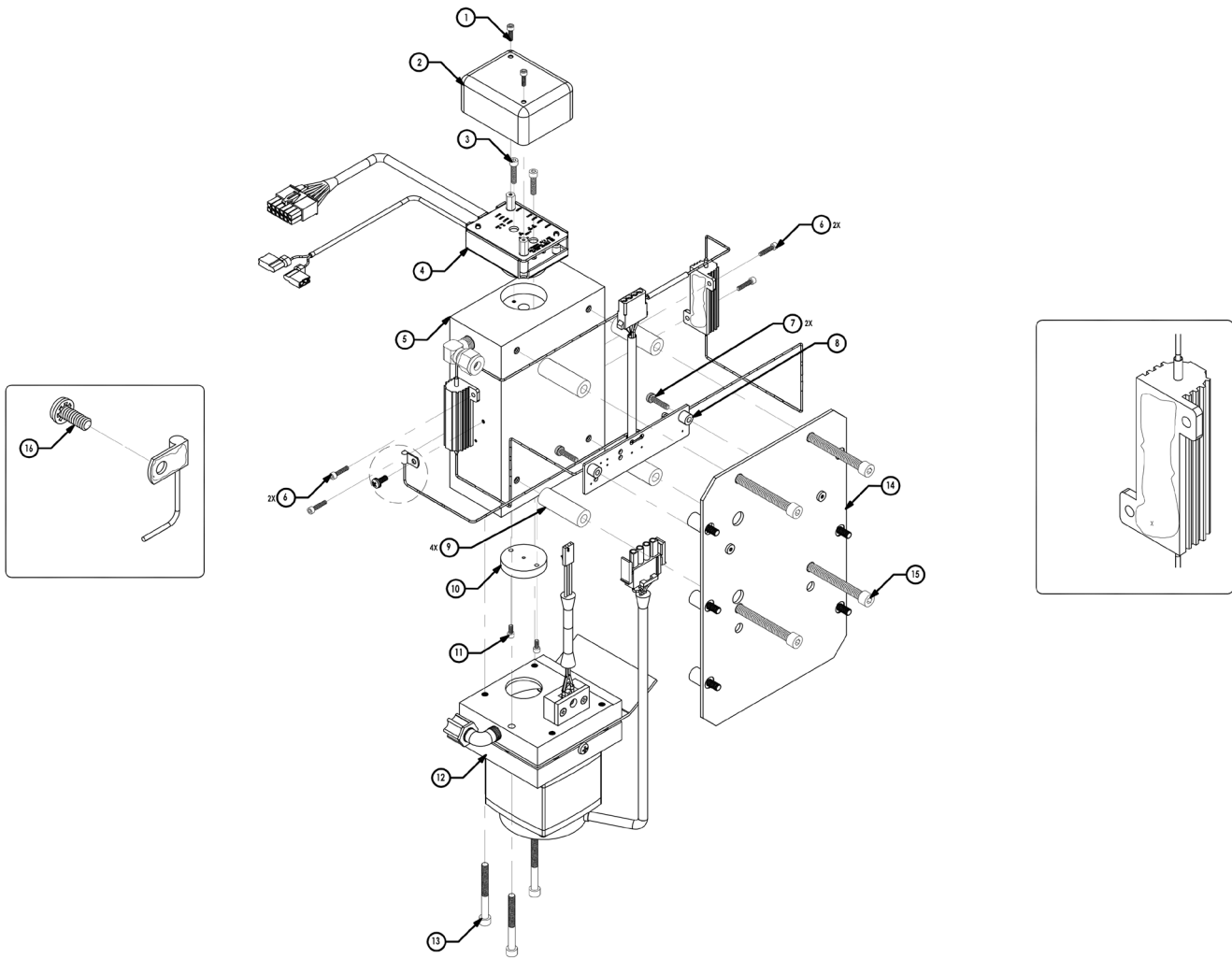
# 410i Measurement Case Continued



# 410i Measurement Case BOM

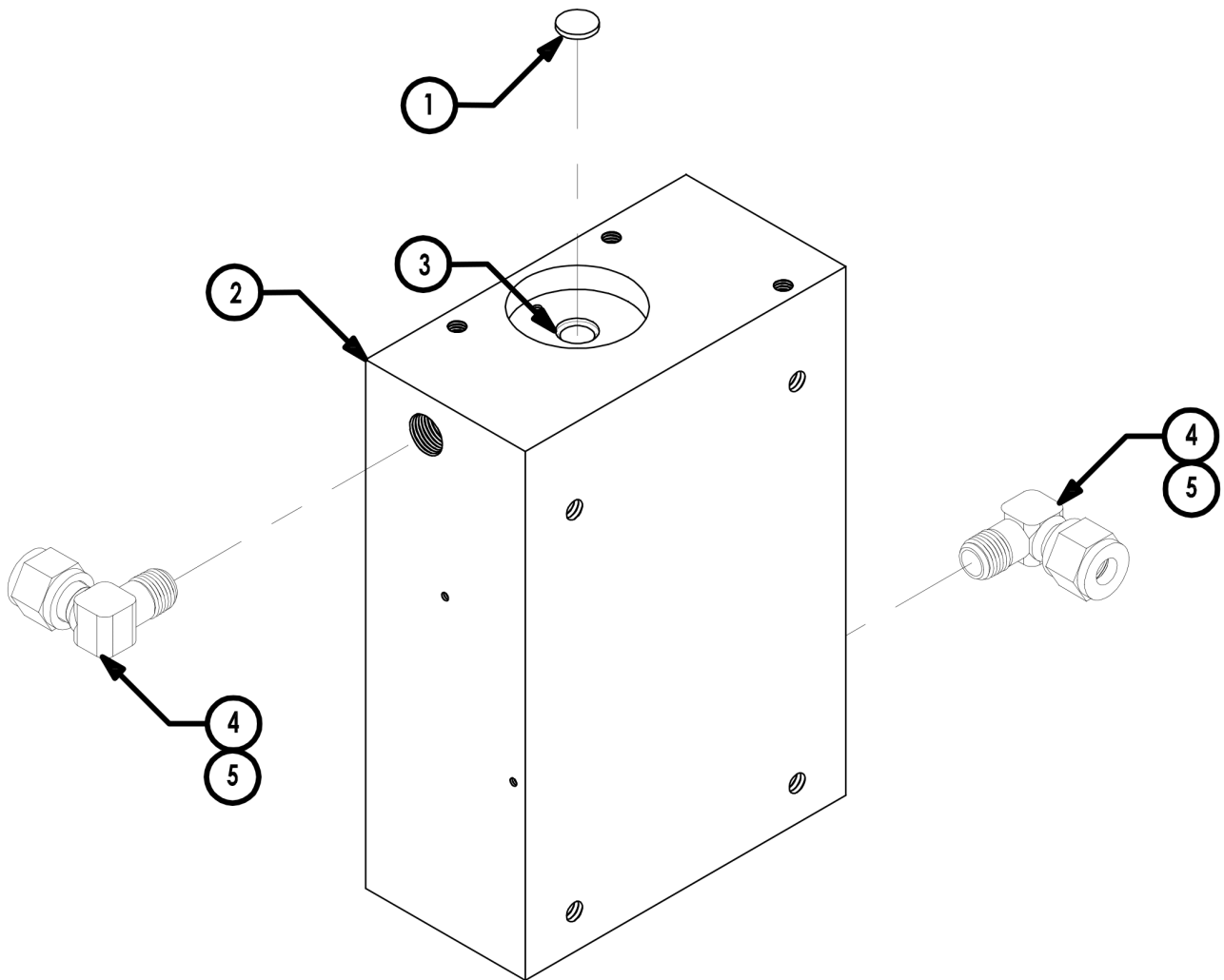
ITEM	DESCRIPTION	PART NO.	QTY	Component
1	Assy Floor Plate	101704-00	1	Not Sellable
2	Screw, Phl Flat HD 6-32 x 1/4" LG	101398-00	4	Not Sellable
3	Rear Panel Assy (Standard)	101698-01	1	Not Sellable
4	Screw, Phl Flat HD 8-32 x 1/4" LG	101073-00	1	Not Sellable
5	Pump Assy	111553-00	1	Spare Part
6	Vibration Mounts (Pump)	18061	4	Spare Part
7	Screw, Phl Pan HD SEMS 6-32 x 3/4" LG	102409-00	3	Not Sellable
8	Pressure Transducer Assy	101023-00	1	Spare Part
9	Screw, Phl Pan HD SEMS 6-32 x 3/8" LG	101709-00	6	Spare Part
10	Flow Transducer Assy	102055-00	1	Spare Part
11	Shock Mount (Optical Bench)	8544	6	Spare Part
12	Interface PCB Assy	117999-00	1	Spare Part
13	Thermistor Assy	101688-00	1	Spare Part
16	Bumper, Shock	TR101RP	5	Spare Part
17	Strap, Ground	102225-00	1	Spare Part
	<b>(0-25%)</b>			
14	Optical Bench	101040-00	1	Spare Part
15	Mixing Chamber Assy	49P766-01	1	Spare Part
	<b>(0-10,000 RPM)</b>			
14	Optical Bench	101039-00	1	Spare Part

# 410i Optical Bench



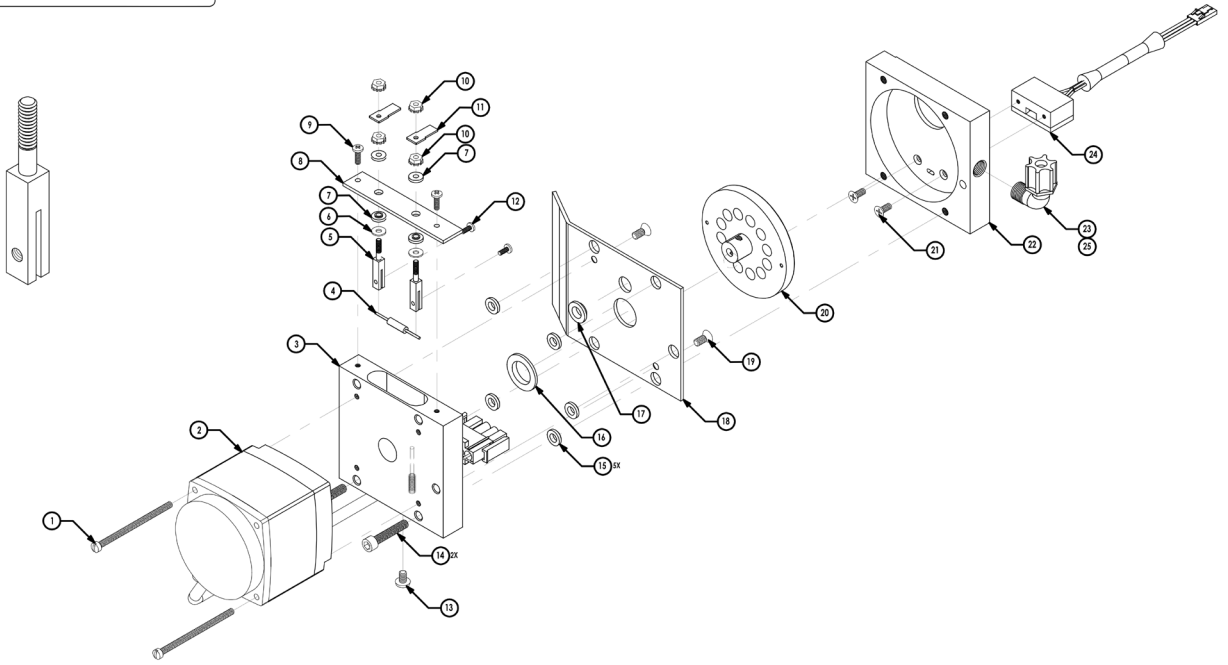
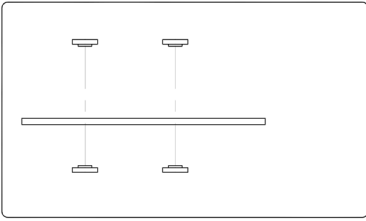
ITEM	DESCRIPTION	PART NO.	QTY	Component
1	Screw, Soc Cap HD 4-40 x 1/4" LG	7945	2	Not Sellable
2	Cover, Preamp	101422-00	1	Spare Part
3	Screw, Soc Cap HD 6-32 x 5/8" LG	8428	2	Spare Part
4	410i Detector Assembly	107984-00	1	Spare Part
5	CO2 Cell Assembly - 5" Model 410i	101916-00	1	Spare Part
6	Screw, Soc Cap HD 4-40 x 3/8" LG	8443	4	Spare Part
7	Screw, Pan HD SEMS 6-32 x 5/8" LG	102192-00	2	Not Sellable
8	Heater Assembly	102015-00	1	Spare Part
9	Spacer, 1/4 ID x 1/2 OD x 1-1/2 LG (Alum)	101218-00	4	Not Sellable
10	Entrance Pupil	101041-00	1	Spare Part
11	Screw, Soc Cap HD 4-40 x 1/4" LG	7945	2	Not Sellable
12	Motor Assembly - 410i	101886-00	1	Not Sellable
13	Screw, Soc Cap HD 10-32 x 1-3/4" LG	102022-00	3	Not Sellable
14	Plate, Mounting (410i)	101060-00	1	Not Sellable
15	Screw, Soc Cap HD 1/4-20 x 2" LG	7970	4	Not Sellable
16	Screw Phl Pan HD SEMS (Int) 6-32 x 3/8" LG	102024-00	1	Not Sellable
17	Heat Sink Compound	5726	A/R	Spare Part

# 410i Optical Block



ITEM	DESCRIPTION	PART NO.	QTY	Component
1	WINDOW, 0.375 OD, SAPHIRE	10477	1	Spare Part
2	CELL, CO2, 5IN PATH LENGTH	100853-00	1	Spare Part
3	ADHESIVE, EPOXY, PREPACKAGED, 13 GRAMS	4430	2	Spare Part
4	FITTING, ELBOW, 1/4T OD, 1/8 NPT, SS	113376-00	1	Spare Part
5	Teflon Tape, 1/4"	5766	A/R	Spare Part

# 410i Motor Assy.

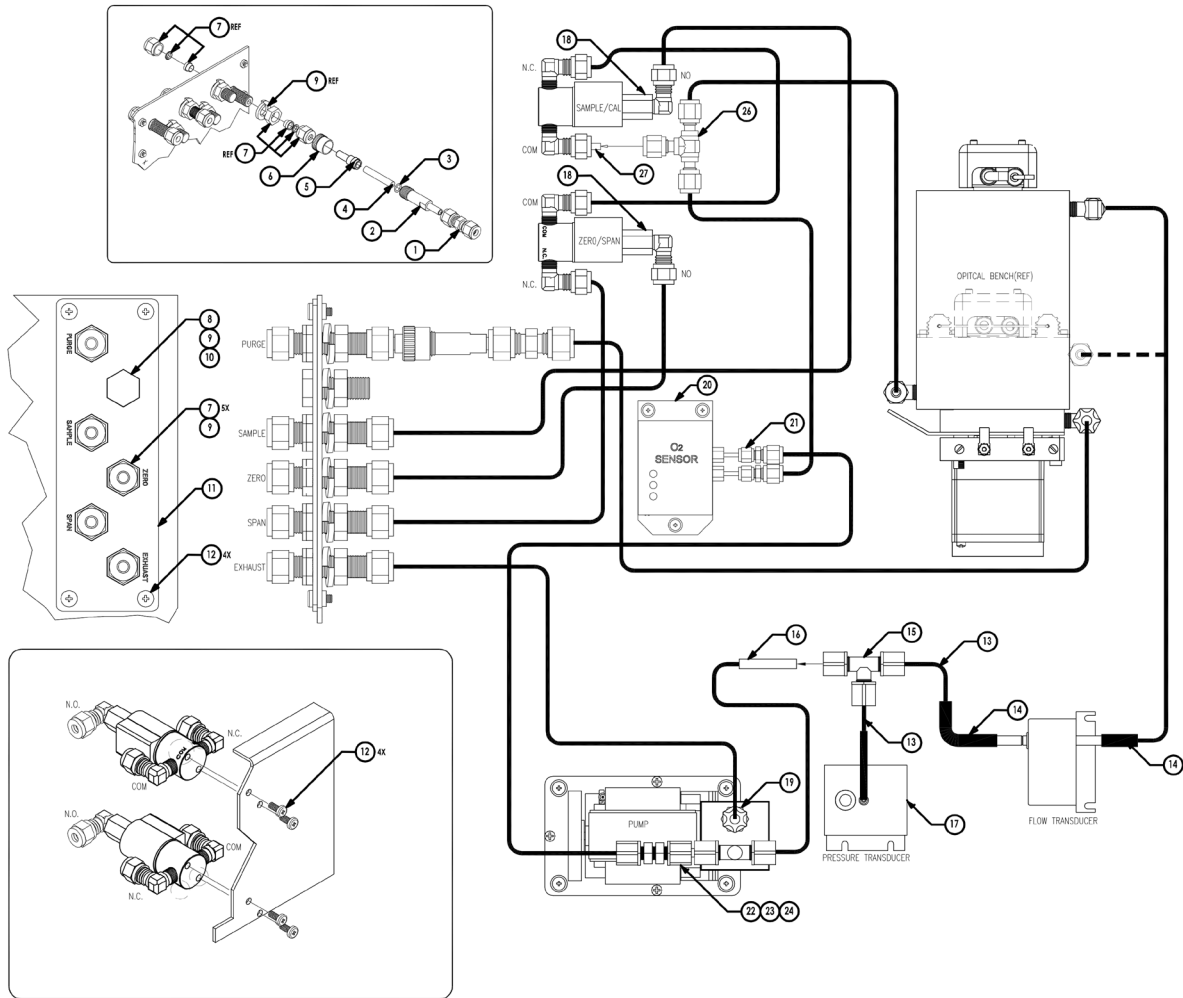


# 410i Motor Assy. BOM

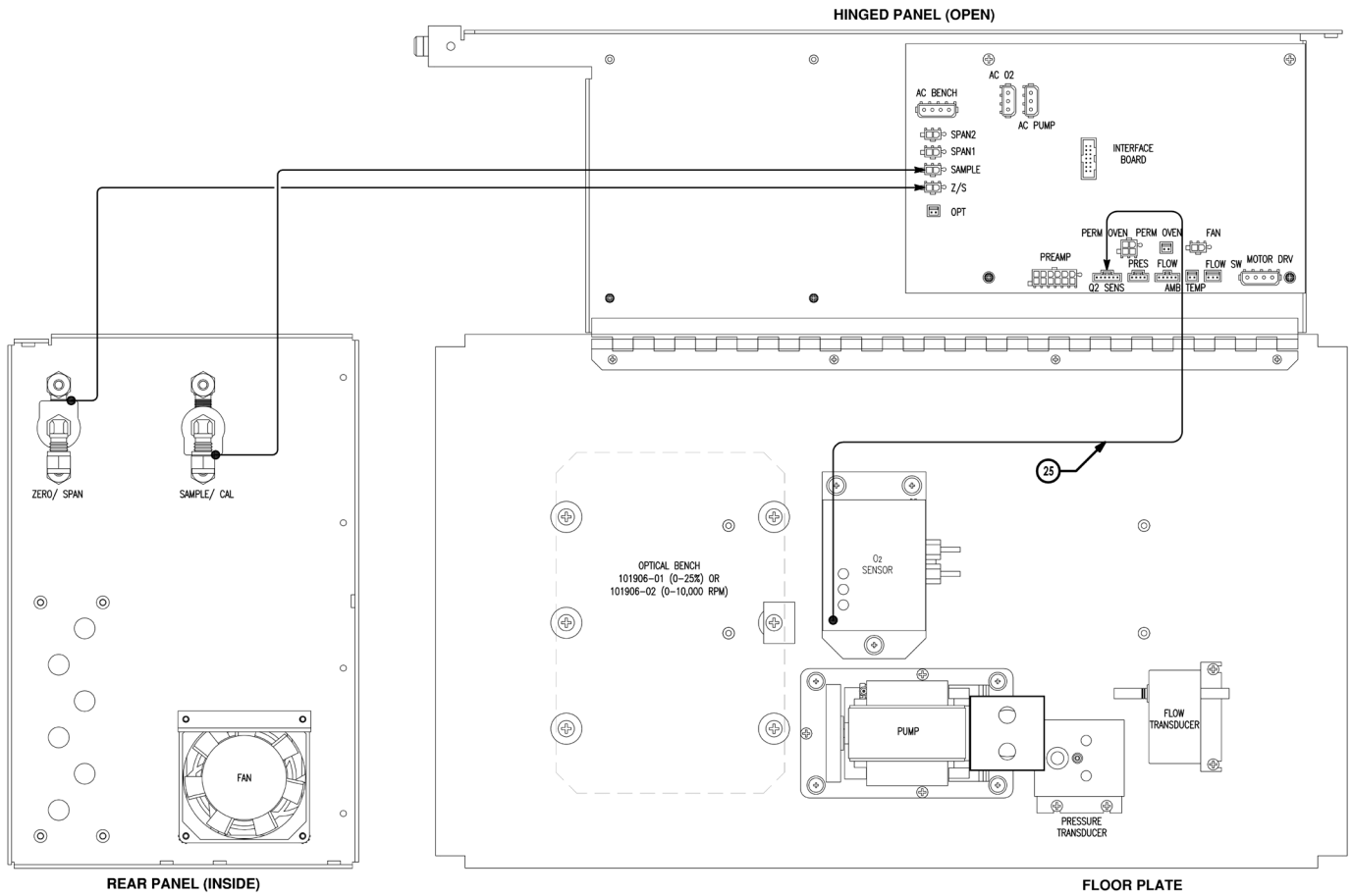
ITEM	DESCRIPTION	PART NO.	QTY	Component
1	Screw, SL Fill HD 8-32 x 2" LG	8437	2	Not Sellable
2	Cable Motor Drive Assy	101427-00	1	Spare Part
3	Motor Plate (Source Mount)	7543	1	Spare Part
4	Resistor, Source (.15+/-5%)	7361	1	Consumable
5	Source Mount	7385	2	Spare Part
6	Washer, Flat 4	8438	2	Spare Part
7	Washer, Fiber	7386	4	Spare Part
8	Source Cover	7384	1	Spare Part
9	Screw, Phl Pan HD SEMS 4-40 x 3/8" LG	102175-00	2	Spare Part
10	Nut, SEMS 4	8462	4	Spare Part
11	Connector, Brass	7387	2	Spare Part
12	Screw, Phl Bind HD 3-56 x 1/4" LG	102571-00	2	Spare Part
13	Screw, Machine, Pan Head, Phillips, #8-32, 1/4, SS	102492-00	1	Spare Part
14	Screw, Soc Cap HD 10-32 x 1" LG	7966	2	Spare Part
15	Shoulder Washer - Phenolic .206 ID	101858-00	5	Spare Part
16	Shoulder Washer - Phenolic .563	101860-00	1	Spare Part
17	Shoulder Washer - Phenolic .281 ID	101859-00	1	Spare Part
18	Heat Shield	101316-00	1	Not Sellable
19	Screw, Phl Flt HD 8-32 x 3/8" LG	5846	2	Not Sellable
20	CO2 Filter Wheel Assembly	101892-00	1	Spare Part
21	Screw, Phl Flat HD 6-32 x 3/8" LG	101166-00	2	Spare Part
22	Wheel Housing	7544	1	Spare Part
23	Kynar Elbow, 1/8 NPT To 1/4T	8569	1	Spare Part
24	Assy, Cable, Optical	119733-01	1	Not Sellable
25	Teflon Tape, 1/4"	5766	A/R	Spare Part



# 410i Plumbing – Zero/Span



# 410i Plumbing – Zero/Span Continued



# 410i Plumbing – Zero/Span BOM

ITEM	DESCRIPTION	PART NO.	QTY	Component
1	Union 1/4T x 1/4T	4450	1	Spare Part
2	Capillary Holder	4138	1	Spare Part
3	Seal Ring	4800	1	Spare Part
4	Capillary, Black .010 ID x 1-1/2" LG	4121	1	Consumable
5	Adapter, Capillary	4136	1	Spare Part
6	Nut, Capillary	4148	1	Spare Part
7	Fitting, Union Bulkhead, 1/4T	4447	5	Spare Part
8	Screw, 7/16-14 x 3/4 LG Hex HD SS	101322-00	1	Spare Part
9	Washer, Int Lock 7/16	5893	6	Spare Part
10	Nut, 7/16-14 SS	101323-00	1	Spare Part
11	Assy, Bulkhead Plate	101712-00	1	Spare Part
12	Screw, 8-32 x 3/8 LG Pan HD PH SEMS Internal	101844-00	8	Spare Part
13	Tubing, Teflon 1/4"	5512	A/R	Spare Part
14	Tubing, Silastic	5500	A/R	Spare Part
15	Kynar, Tee 1/4T	10131	1	Spare Part
16	Capillary, Purple/Blue .018 ID x 1-1/2" LG	7336	1	Consumable
17	Tubing, Silastic	5496	A/R	Spare Part
18	Solenoid Valve Assy, 3-Way	101866-02	2	Spare Part
19	Male Connector (1/4 To 1/8)	8599	1	Spare Part
20	Oxygen Sensor Assy	104678-00	1	Optional
21	Reducing Union 1/4 x 1/8	4448	2	Spare Part
22	Tee Run Kynar 1/4	8598	1	Spare Part
23	Capillary Red	4119	1	Consumable
24	Union Bulkhead Kynar 1/4	8570	1	Spare Part
25	Assy Ribbon Cable O2 Sensor	104686-00	1	Spare Part
26	Tee Run 1/4	4445	1	Spare Part
27	Port Connector 1/4"	4475	1	Spare Part



**USA**

27 Forge Parkway  
Franklin, MA 02038  
Ph: (866) 282-0430  
Fax: (508) 520-2800  
orders.aqi@thermofisher.com

**India**

Industrial Unit No.101+130,  
Plot No.C-56/1, TTC Industrial  
area, MIDC-Turbhe,  
New Mumbai 400 703, India  
Ph: +91 82 9199 0337  
INinfo@thermofisher.com

**China**

8/F Bldg C of Global Trade Ctr,  
No.36, North 3rd Ring Road,  
Dong Cheng District  
Beijing, China 100013  
Ph: +86 10 84193588  
info.eid.china@thermofisher.com

**Europe**

Ion Path, Road Three,  
Winsford, Cheshire CW73GA UK  
Ph: +44 1606 548700  
Fax: +44 1606 548711  
sales.epm.uk@thermofisher.com

Find out more at [thermofisher.com/cleanair](http://thermofisher.com/cleanair)  
[thermofisher.com/epmservice](http://thermofisher.com/epmservice)

**ThermoFisher**  
SCIENTIFIC