



Secure sites against radiation

FHT1388S
modular radiation portal monitors

Radiation portal monitors.

The Thermo Scientific FHT1388S radiation portal monitors secure sites against the movement of contaminated material and orphan sources. It is a proven radiation portal monitor in the steel and recycling market.

Hundreds of installations around the world provide protection against radioactive contamination day in and day out.

Your partner for safety

- Large plastic scintillation detectors for gamma radiation detection
- Immediate separation between NORM and artificial radiation through NBR (Natural Background Rejection) technology
- Optional moderated He-3 counting tube Neutron radiation detectors
- Effective false alarm suppression through automatic background radiation learning and SIGMA alarm threshold setting
- Recognition of objects plus speed alarm triggering
- Control of traffic lights, audible alarm indication via horn or visible via alarm lights
- Data transfer via RS 485 from the detector array to the operators room up to 1000 m
- Windows based controller model FHT 8000 with SGS2 software package
- Automated protocol printing also on a network printer
- Optional LAN video camera can be easily integrated
- Optional axle counter insures alarm location information also for most demanding train applications





Detect Americium

Adding our Thermo Scientific Neutron Gate Monitor to your FHT1388S offers a high level of protection against the inadvertent melting of Americium sources.



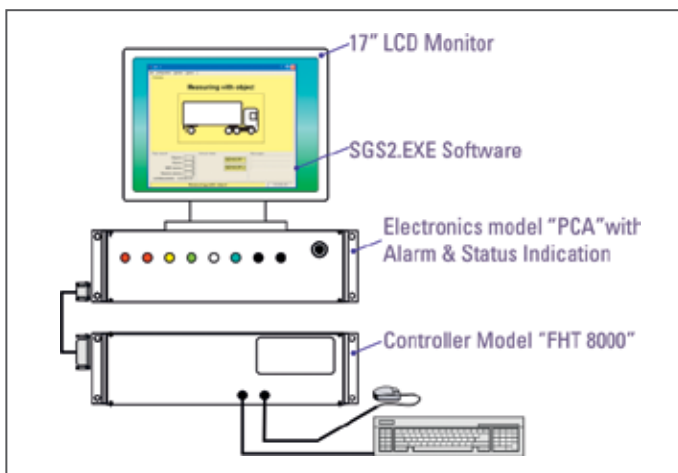
The FHT1388S detector panels are equipped with large area plastic scintillators for the efficient detection of gamma radiation. The panel housings are made of UV-stabilized PE material that is corrosion free even under demanding conditions. Low energetic radiation can penetrate through the PE material easily and is not shielded from the sensitive large area gamma radiation detector.

The detector panel array communicates with the electronics in the operator's room via a reliable RS 485 data bus over up to 1000 m. The modern design of the electronics comprising our controller model FHT 8000, operating Microsoft Windows. The advanced software package SGS2.EXE allows protected access on different user levels. Features like the FHT 8000's built-in Ethernet card or optional supervision software for up to 10 FHT1388S monitors underline this modern monitoring concept.

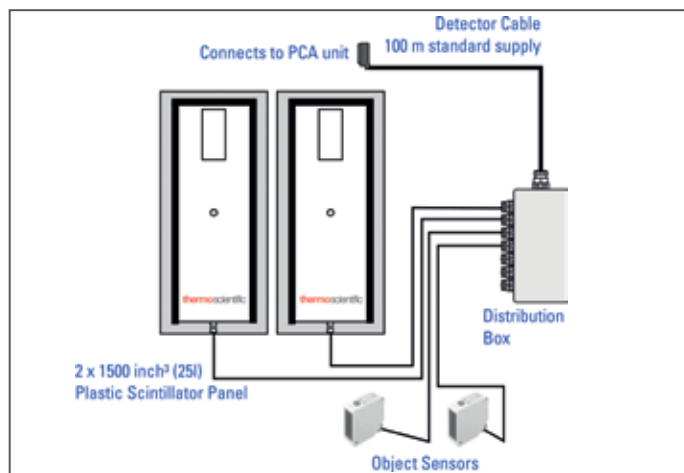


FHT1388S radiation portal monitor technical specifications

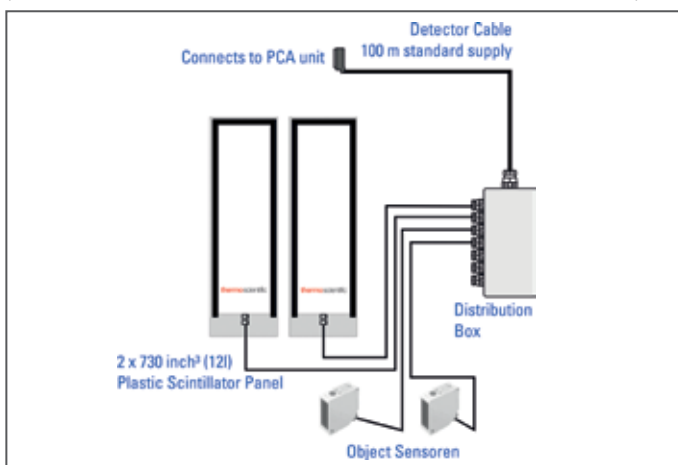
Operating conditions for the electronics in the operator's room:	Ambient temperature range: 0 °C ... 40 °C, (32 °F ...104 °F) Relative air humidity: 10% to 90% (not condensing)
Operating conditions for the equipment at the detector array:	Ambient temperature range: - 40 ...60 °C, (- 40 ...140 °F)
Measured value:	Gamma radiation from approx. 40 keV
Available options:	Video camera (LAN), axle counter (train), protocol printer, modem for tele service, traffic lights (red & green), extra panels (gamma & neutron), lead shielding, alarm devices (sound & light), gamma test adapter (panel and system performance test), stanchions & installation.



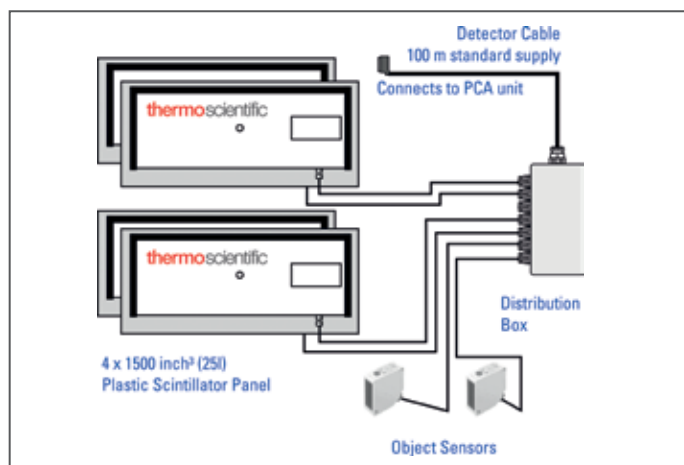
Standard supply of electronics for the operator's room.
(FHT1388S versions 1460 G VER, 3000 G VER & HOR, 6000 G HOR)



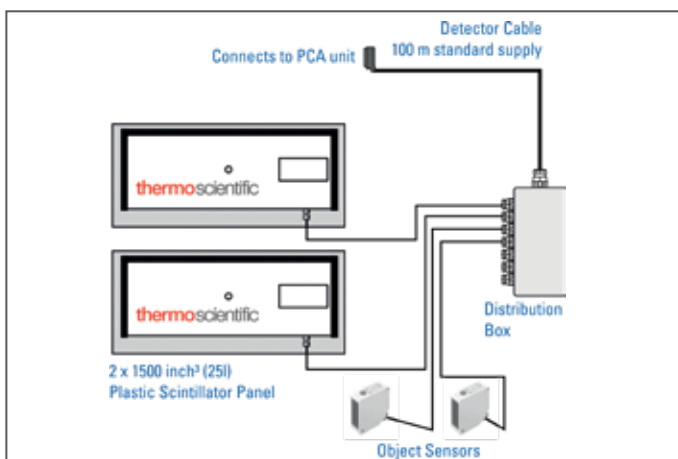
FHT1388S 3000 G VER: Standard equipment for the detector array



FHT1388S 1460 G VER: Standard equipment for the detector array



FHT1388S 6000 G HOR: Standard equipment for the detector array



FHT1388S 3000 G HOR: Standard equipment for the detector array

Find out more at thermofisher.com/radiationmeasurement

ThermoFisher
SCIENTIFIC