

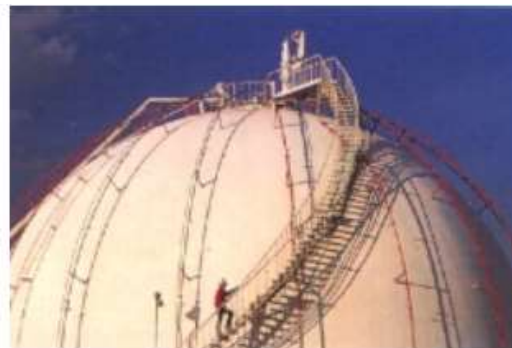
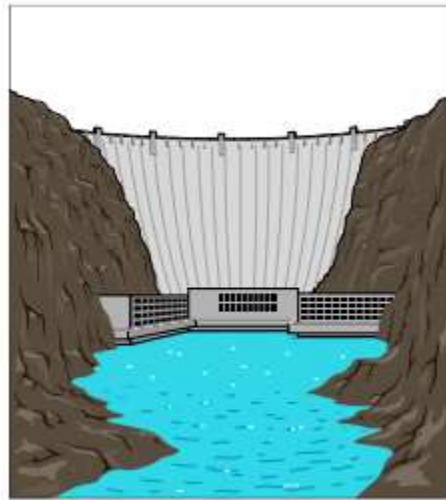


Power generation applications

Wilcoxon
SENSING TECHNOLOGIES

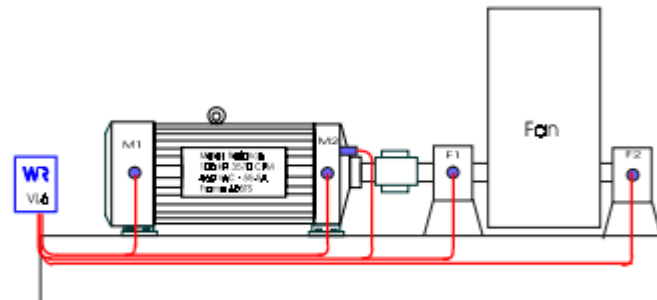
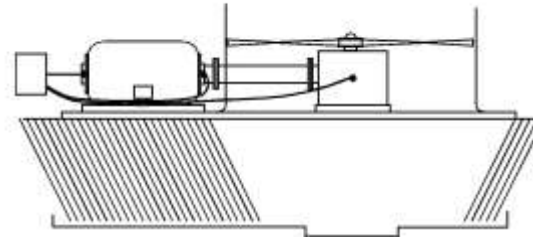
Power generation applications

- Nuclear
- Fossil fuels
- Hydroelectric
- Solar



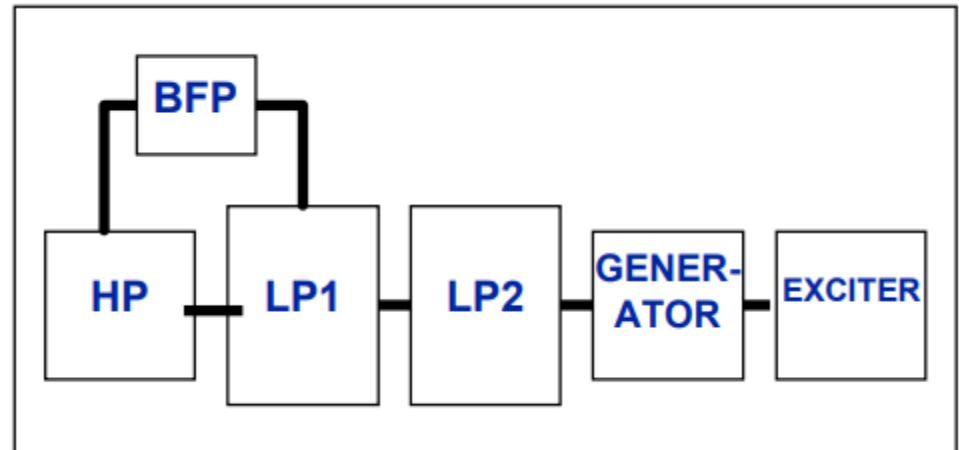
Power generation applications

- Steam turbines
- Gas turbines
- Cooling towers
- Boiler feed pumps
- Scrubber fans



Steam turbines and boiler feed pumps

- Use PVT (Piezo-Velocity Transducer with Proximity Probes) for absolute shaft measurement
- 793V and 797V will replace electrodynamic velocity sensors in IRD and Bentley Nevada Systems
- PVTs reduce cavitation overload by attenuating high frequency noise
- “R” version used for radioactive environments



Gas turbines

- High temperature sensors near combustion chamber
 - Examples 376B, 797-6, Barium titanate sensors, Electrodynamic velocity sensors
- Use general purpose accelerometer on cooler locations
 - Examples: 793, 797, 786A



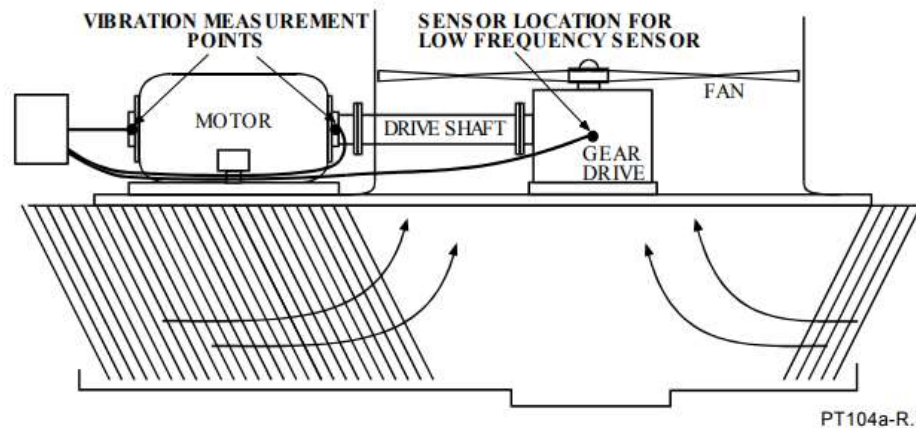
Hydroelectric generators

- Use low frequency accelerometer on Water Turbines
 - Examples 793L, 797L, 799LF



Cooling towers

- Use low frequency accelerometer on Cooling Tower Motors
 - Examples 797, 786A



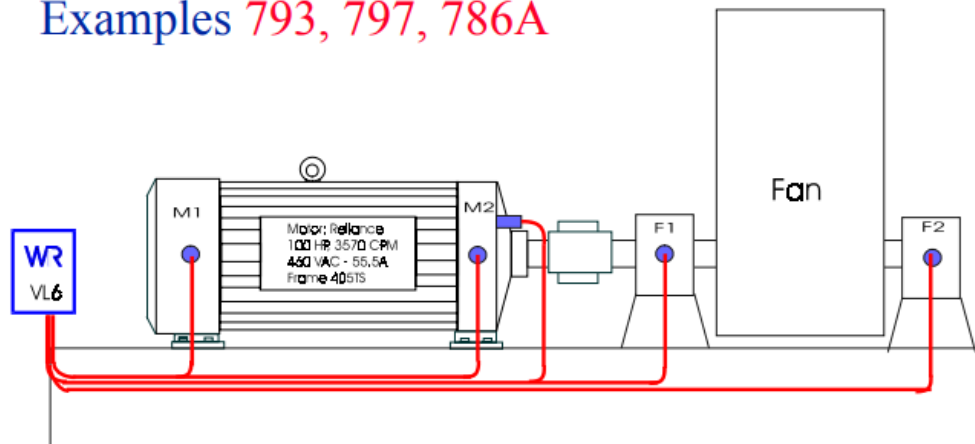
- Route cables to VL Switch Box at the base of the tower

- Use low frequency accelerometer on Cooling Tower Fan Gearboxes
 - Examples 797L, 799LF
-

Scrubber fans

- Use general purpose accelerometer on Scrubber Fans

Examples 793, 797, 786A




- Route cables to VL Switch Box at central locations

- Monitor each bearing in the horizontal plane and one measurement in the axial for each direct coupled shaft configuration. Vertical positions can be added for more complete information

Wilcoxon Sensing Technologies

For more information, please contact us:

 +1 (301) 330 8811

 info@wilcoxon.com

 www.wilcoxon.com

The information contained in this document is the property of Wilcoxon Sensing Technologies and is proprietary and/or copyright material. This information and this document may not be used or disclosed without the express authorization of Wilcoxon Sensing Technologies. Any unauthorized use or disclosure may be unlawful.

The information contained in this document may be subject to the provisions of the Export Administration Act of 1979 (50 USC 2401-2420), the Export Administration Regulations promulgated thereunder (15 CFR 730-774), and the International Traffic in Arms Regulations (22 CFR 120-130). The recipient acknowledges that these statutes and regulations impose restrictions on import, export, re-export and transfer to third countries of certain categories of data, technical services and information, and that licenses from the US Department of State and/or the US Department of Commerce may be required before such data, technical services and information can be disclosed. By accepting this document, the recipient agrees to comply with all applicable governmental regulations as they relate to the import, export and re-export of information.'

Authorised distributor

In Australia:

For customer service, call 1300-735-292
To email an order, ordersau@thermoisher.com
To order online: thermoisher.com

In New Zealand:

For customer service, call 0800-933-966
To email an order, ordersnz@thermoisher.com
To order online: thermoisher.com

ThermoFisher
S C I E N T I F I C