



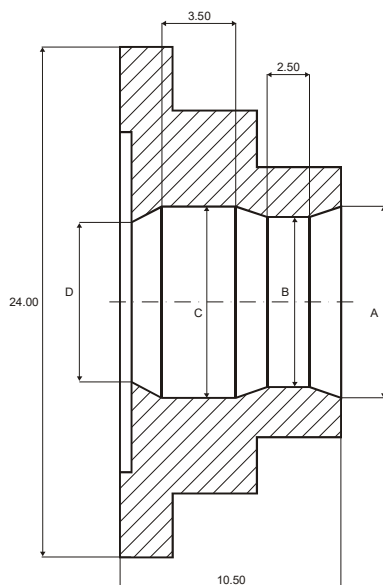
ECS I.0 in HMS II.3 with the pinna type 3.4 removed

General Requirements

- **HEL/HER III.1 (Code 1248/1249)**, Left/right pinna for HMS II.3 and HMS II.4, according to P.57 type 3.4

Options

- **ECS I.1-I.3 (Code 1357.2-1357.4)**, Ear canal simulation small/medium/large



Delivery items

- **ECS I.0 (Code 1357.1)**, Ear canal simulation, cylindrical
Note: ECS I.0 is the standard delivery item with ear simulator type 3.4 unless specified otherwise.

DATA SHEET

ECS I.0 - ECS I.3 (Code 1357.1-1357.4)

Ear Canal Simulator

Overview

ECS I.0 – ECS I.3 are ear canal simulators for HMS head measurement systems retrofitted with ear simulators and pinnae type 3.4 according to Recommendation ITU-T P.57. Ear canal simulators are required for acoustic measurements of ear plugs and other in-ear equipment. Four different versions of ECS are available, allowing ideal size adaption to the DUT.

Key Features

- Simulates ear canal according to ITU-T P.57
- Available in four different sizes for adaption to the DUT

Applications

- Measurement of in-ear equipment
- Measurement of ear plugs
- Measurement of close-to-the ear sound sources



ECS I.0

Technical Data

	ECS I.0	ECS I.1	ECS I.2	ECS I.3
Code	1357.1	1357.2	1357.3	1357.4
Diameters (see cross-sectional drawing)				
A	8.0 mm	7.5 mm	9.0 mm	10.5 mm
B	8.0 mm	7.0 mm	8.0 mm	9.5 mm
C	8.0 mm	7.5 mm	9.0 mm	10.5 mm
D	8.0 mm	7.5 mm	7.5 mm	7.5 mm
Markings				
	(none)	•	••	•••
Other				
Shape / size	cylindrical	small	medium	large
Materials	Silicone, PVC			
Weight	Approx. 2 g			