

**HEAD Control Panels**

- HCP II  
10.4" TFT touchscreen (Code 1981)
- or
- HCP  
7" TFT touchscreen (Code 1980)



**Overview**

The HEAD Control Panels HCP II and HCP are TFT touchscreens for use with BrakeOBSERVER, the system from HEAD acoustics for development and acoustic optimization of brake systems. The HEAD Control Panels can be connected to the MMF III.0 BrakeOBSERVER front end or to the dockingstation and are powered via MMF III.0.

During a measurement drive, the BrakeOBSERVER system can be controlled via HCP II or HCP, which show the Driver Display. The Driver Display is a virtual cockpit providing the user with information on individual measurement channels. Furthermore, the current car position is displayed to the user in the map via GPS, and much more.

The smaller HCP 7" display has a suction mount for smooth surfaces, the HCP II 10.4" display has the adjustable HCP-SM suction mount, which can be used for uneven surfaces, too.

The HEAD Control Panels are also used as control panels for the mobile variant of H3S (HEAD 3D Sound Simulation System).

**Features**

**HCP II - 10.4" TFT display**

- HDMI color display (4:3)
- Transflective TFT with high contrast (1200:1)
- LED-Backlight-Technology
- Good readability even under direct sunlight
- Anti-reflexion-coating for minimizing reflections on the surface
- Transmissive backlight to ensure good readability during dark light conditions
- Suction Mount HCP-SM (optional) for secure mounting in a vehicle

**HCP - 7" TFT display**

- VGA color display (16:9)
- Brightness control for automatically adjusting the screen brightness depending on the ambient (can be turned off)
- Brightness settings adjustable in three steps
- Small, handy
- Low weight
- Suction mount (included) for secure mounting in a vehicle



HCP II and Suction Mount HCP-SM (optional for HCP II)



HCP and Suction Mount (included)

LEMO is a registered trademark of the LEMO SA.

## HCP II - Scope of supply

- HCP (Code 1981)  
HEAD Control Panel  
10.4" TFT touchscreen
- Remote control, manual
- Breakout cable  
All-in-one connector ↔ LEMO /  
USB / HDMI, 5 m (197")

## HCP II - Optional accessories

- HCP-SM (Code 1982)  
Suction Mount for HCP II
- HSC VI.4-V1 (Code 9874-V1)  
Case for HCP II and HCP-SM

## HCP - Scope of supply

- HCP (Code 1980)  
HEAD Control Panel  
7" TFT touchscreen
- Remote control, manual
- Breakout cable  
All-in-one connector ↔ LEMO /  
USB / DSUB 15-pin, 2 m (79")
- Extension cable  
All-in-one connector, male ↔  
all-in-one connector, female, 2 m  
(79")
- Suction Mount
- HSC VI.4 (Code 9874)  
Case for HCP and accessories

## BrakeOBSERVER system

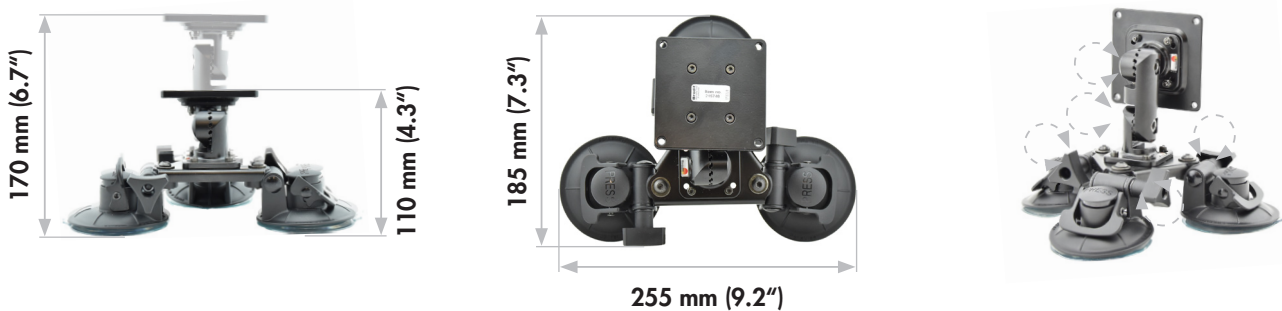
- BrakeOBSERVER (Code 4960)  
Software for recording, detection  
and evaluation of brake noise while  
driving
- MMF III.0 (Code 3313)  
Multi-channel front end with  
docking station  
- Panasonic toughbook CF-33 for  
MMF III.0  
or (the variant):
- MMF III.0-V1 (Code 3313-V1)  
Multi-channel front end without  
docking station

## Technical Data

	HCP II	HCP
Display diagonal:	10.4"	7"
Native resolution:	1024 x 768 pixels	800 x 480 pixels
Brightness:	1000 cd/m <sup>2</sup>	400 cd/m <sup>2</sup>
Contrast:	1200:1	350:1
Aspect ratio:	4:3	16:9
Video connector:	HDMI	VGA
Input voltage:	12 to 24 V (nominal voltage)	12 to 24 V (nominal voltage)
Power consumption:	15 W (max.)	8 W (max.)
Weight:	950 g	480 g
Dimensions (without cable):	237 x 179 x 40 mm (9.3" x 7" x 1.6") (HxWxD)	180 x 130 x 30 mm (7.1" x 5.1" x 1.2") (HxWxD)
Operating temperature:	-30 °C to +80 °C (-22 °F to 176 °F)	-20 °C to +70 °C (-4 °F to 158 °F)

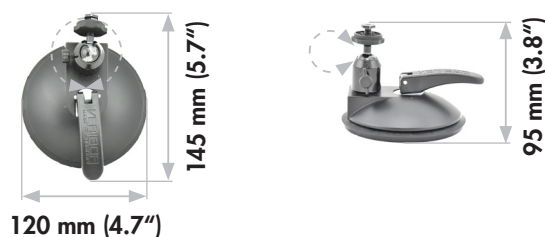
### HCP-SM suction mount for HCP II - not included

Weight: 885 g



### Suction mount for HCP

Weight: 450 g



### HSC VI.4-V1 case for HCP II - not included

Dimensions: 445 x 512 x 238 mm  
(15.5" x 20" x 3.8") (HxWxD)

### HSC VI.4 case for HCP

Dimensions: 360 x 447 x 108 mm  
(14.2" x 17.6" x 4.3") (HxWxD)