

HEADlab Fastening Accessories (Code 3760ff)

HEAD acoustics provides various fastening accessories for HEADlab, the modular multi-channel frontend system. The accessories offer a high level of safety even in difficult working environments.

Fastening accessories for HEADlab 2nd generation

- Set of two Screw Fasteners
 - labCP I.2 (Code 3765.2)
 - labCP I.3 (Code 3765.3)

Fastening accessories for HEADlab 1st and 2nd generation

- Mount Adapters
 - labMA-a (Code 3760)
 - labMA-p (Code 3761)
- System Mounting Plate
 - labSMP I.1 (Code 3762)
- Retractable Carry Handle
 - labRCH I.1 (Code 3763)

Recommended fastening accessories

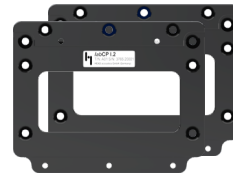
HEAD acoustics recommends the MDM Isofix measuring instrument mount system from KWH-Computerhalter GmbH for a secure fastening of HEADlab systems in vehicles.

- Measuring instrument mount with Isofix attachment – base chassis
 - MDM I.0
 - Isofix adapter
 - MDM I.1
 - Protective covers
 - MDM I.2
 - HEADlab fastening holder
 - MDM I.3
 - Multi-channel connector plate (front or rear)
 - MDM I.4
 - Multi-channel connector plate (side)
 - MDM I.5

Fastening Accessories for HEADlab 2nd Generation

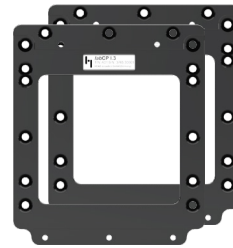
Screw Fasteners *labCP I.2* (Code 3765.2)

- *labCP I.2* includes a set of two Screw Fasteners for screwing together, e.g.,
 - two modules (*labV24 II*, *labM6 II*, ...)
 - one module and one Controller (*labCTRL II.1*)
- The required screws are included.



Screw Fasteners *labCP I.3* (Code 3765.3)

- *labCP I.3* includes a set of two Screw Fasteners for screwing together, e.g.,
 - three modules (*labV24 II*, *labM6 II*, ...)
 - two modules and one Controller (*labCTRL II.1*)
 - one Power Box (*labPWR I.1*, ...) and one Controller (*labCTRL II.1*)
- The required screws are included.

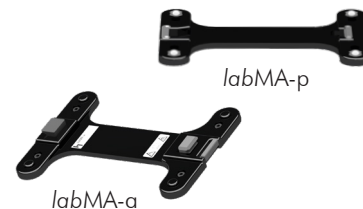


labCP I.2 and *labCP I.3* can be combined for connecting a larger number of HEADlab devices to stable systems.

Fastening Accessories for HEADlab 1st and 2nd Generation

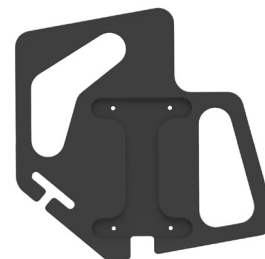
Mount Adapters *labMA-a* (Code 3760) / *labMA-p* (Code 3761)

- The Mount Adapters with active lock (*labMA-a*) or passive lock (*labMA-p*) are the base components for connecting HEADlab modules. On the bottom side of the active Mount Adapter, a System Mounting Plate or a Carry Handle can be screwed on.
- The Mount Adapters can also be attached directly to the HEAD Seat Mount Adapter HSM V.
- The required screws are included.



System Mounting Plate *labSMP I.1* (Code 3762)

- System Mounting Plate for installing a HEADlab system on a car seat. Each side provides a recess for attaching an active or passive Mount Adapter, respectively. *labSMP I.1* also has openings for a seat belt, for cabling, and for convenient carrying of a HEADlab system.
- A maximum of two *labSMP I.1*, five modules between the two *labSMP I.1*, and one module on each outside of the System Mounting Plate is allowed to be connected to each other.



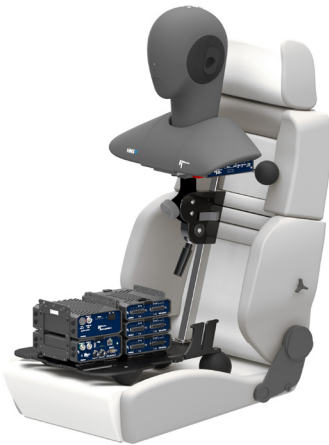
Retractable Carry Handle *labRCH I.1* (Code 3763)

- The Retractable Carry Handle can be screwed onto the bottom side of an active or passive Mount Adapter and allows to carry a HEADlab system with up to five modules conveniently.



Configuration Examples

HEADlab system with HEAD Seat Mount Adapter HSM V



Required hardware

- 2 x Mount Adapter *labMA-a*
- 2 x Screw Fasteners *labCP I.3*

HEADlab system fastened with the Screw Fasteners *labCP I.2* and *labCP I.3*



Required hardware

- 1 x Screw Fasteners *labCP I.2*
- 2 x Screw Fasteners *labCP I.3*

HEADlab system on a car seat

(up to 5 HEADlab modules between the two *labSMP I.1* System Mounting Plates)



Required hardware

- 2 x Mount Adapter *labMA-a*
- 1 x Mount Adapter *labMA-p*
- 2 x System Mounting Plate *labSMP I.1*
- 1 x Screw Fasteners *labCP I.2*
- 1 x Screw Fasteners *labCP I.3*

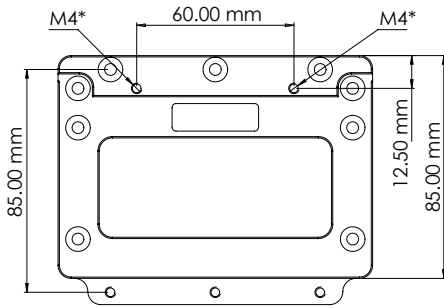
Technical Data

labCP I.2 (Code 3765.2)

Set of two Screw Fasteners *labCP I.2*

Dimensions (W x H x D) • 120 mm x 95 mm x 5 mm

Material • Aluminium

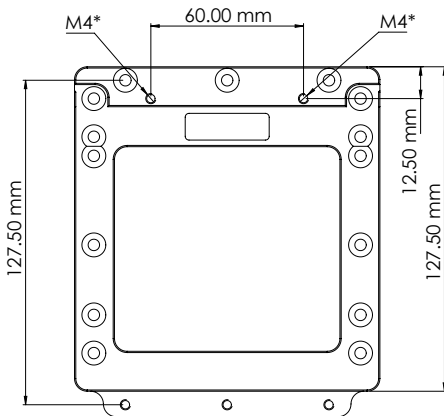


labCP I.3 (Code 3765.3)

Set of two Screw Fasteners *labCP I.3*

Dimensions (W x H x D) • 120 mm x 137.5 mm x 5 mm

Material • Aluminium



* The M4 threads can be used to additionally fasten the *labCP* Screw Fasteners

Technical Data

labMA-a / labMA-p

Weight

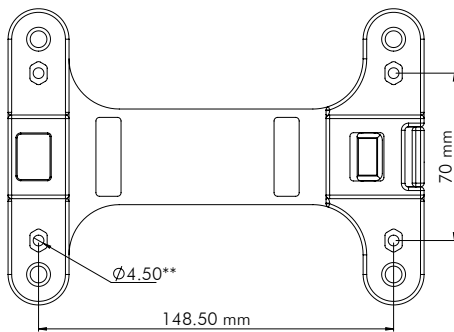
- labMA-a • 180 g
- labMA-p • 170 g

Dimensions (W x H x D)

- labMA-a • 174 mm x 123.9 mm x 14.36 mm
- labMA-p • 174 mm x 123.9 mm x 8.85 mm

Material

- Aluminium
- Polyoxymethylen (POM)



** The 4.5 mm through holes can be used to additionally fasten the labMA Mount Adapters

labSMP I.1

Weight

1280 g

Dimensions (W x H x D)

304.57 mm x 300 mm x 18 mm

Material

Polyoxymethylen (POM)

labRCH I.1

Weight

740 g

Dimensions (W x H x D)

178 mm x 127.9 mm x 18 mm

Material

- Aluminium
- Polyoxymethylen (POM)

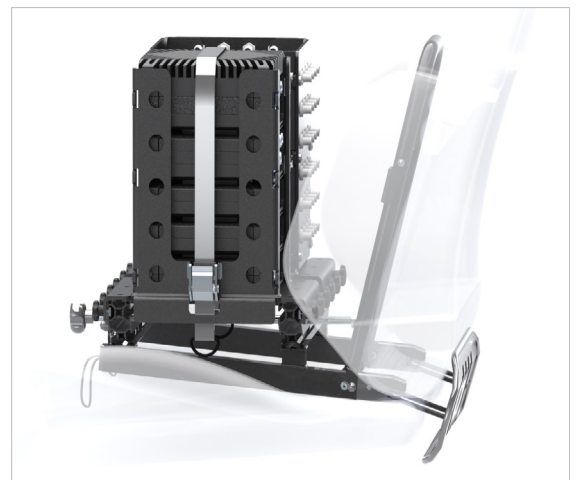
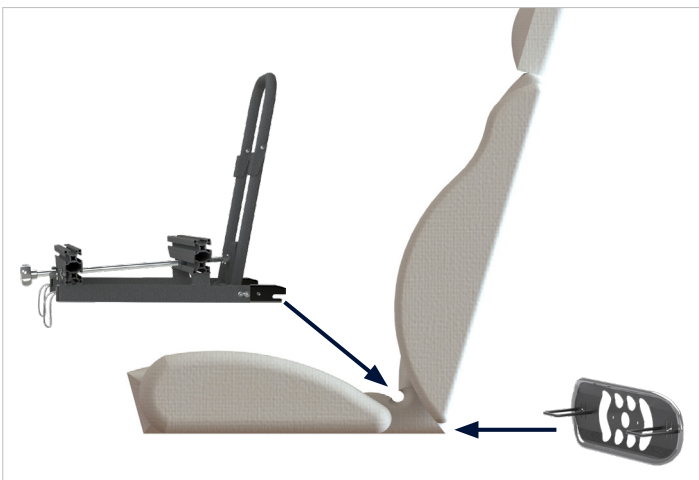
Recommended Fastening Accessories

Measuring instrument mount from KWH-Computerhalter GmbH

For a secure fastening of HEAD/lab systems of the 1st and 2nd generation in vehicles, the KWH-Computerhalter GmbH provides the MDM Isofix measuring instrument mount system.



- In a few simple steps the MDM I.0 base chassis can be installed on car seats, which are equipped with an Isofix attachment system.
- For a secure fastening of MDM I.0 on car seats, which are not equipped with an Isofix attachment system, the MDM I.1 Isofix adapter can be used. MDM I.1 is mounted on the rear side of the car seat and connected with the MDM I.0 base chassis via two stable metal brackets.
- MDM I.3 enables the secure fastening of HEAD/lab systems of the 1st and 2nd generation. The HEAD/lab systems can be fastened with tensioning straps. MDM I.0 allows the use of up to two MDM I.3.
- The multi-channel connector plates MDM I.4 and MDM I.5 can be combined with MDM I.3, too. The front and back sides provide 24 BNC connectors (female / female) each, allowing BNC cables to be connected from both sides. In particular, measurement setups with many channels can be clearly arranged and combined to a stable unit.

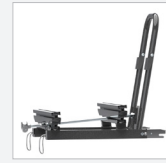


Recommended Fastening Accessories

MDM I.0 (Code 3764.0)

KWH-Computerhalter GmbH – measuring instrument mount with Isofix attachment – base chassis

(MDM I.1 and MDM I.2 are included in MDM I.0)



MDM I.1 (Code 3764.1)

KWH-Computerhalter GmbH – Isofix adapter

(included in MDM I.0)



MDM I.2 (Code 3764.2)

KWH-Computerhalter GmbH – protective covers

(included in MDM I.0)



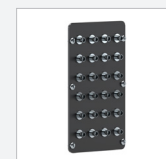
MDM I.3 (Code 3764.3)

KWH-Computerhalter GmbH – HEAD/ab fastening holder



MDM I.4 (Code 3764.4)

Multi-channel connector plate (front or rear)



MDM I.5 (Code 3764.5)

Multi-channel connector plate (side)

