

Code 1636.0n & 1638.nn

HHP III.1 Spare Parts

Parts lists and illustrations of spare parts for HHP III.1

DETAILS

PARTS LISTS

The spare parts are listed in parts lists, illustrated and highlighted orange in assemblies.

General spare parts for CDM-R, CDM-W, CDV-R and CDV-W

Code	Type	Description
1636.09	Cap-CD-HHP	Rubber Caps for Clamping Device Screws, 10 pcs.
1638.01	Scr-CDM	Screws for VariMount/MotoMount Clamping Device, Set of 1 Extra Long, 2 Long, 2 Medium, 4 Short
1638.02	H1-CDM	VariMount/MotoMount Clamping Fork Holder with Screw, Middle
1638.03	H2-CDM	VariMount/MotoMount Clamping Fork Holder with Screw, End



Cap-CD-HHP



Scr-CDM



H1-CDM



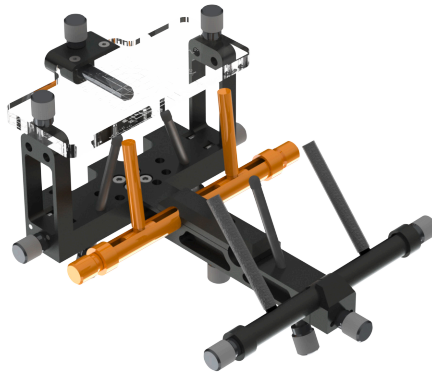
H2-CDM

Spare parts for CDM-R and CDV-R

Code	Type	Description
1638.11	Pos-CDM-R	Positioning Jig for Regular VariMount/MotoMount Clamping Device
1638.12	CF1-CDM-R	Regular VariMount/MotoMount Clamping Fork, Short
1638.13	CF2-CDM-R	Regular VariMount/MotoMount Clamping Fork, Long
1638.14	CJ-CDM-R	Clamping Jaws for Regular VariMount/MotoMount Clamping Device (Pair)
1638.16	T-CDM-R	T Plate of Regular VariMount/MotoMount Clamping Device



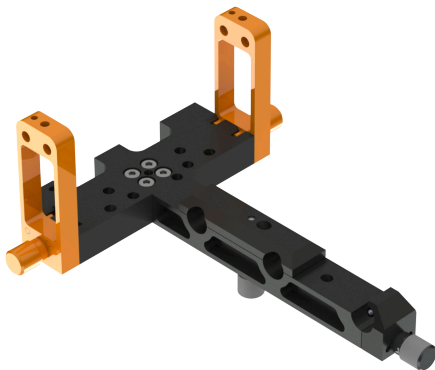
Pos-CDM-R



CF1-CDM-R



CF2-CDM-R



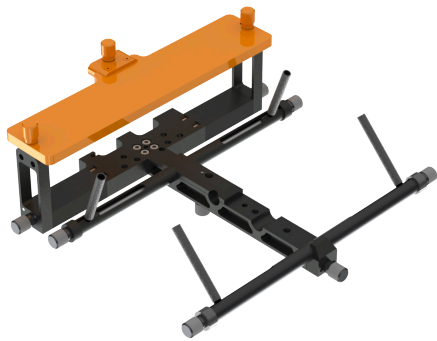
CJ-CDM-R



T-CDM-R

Spare parts for CDM-W and CDV-W

Code	Type	Description
1638.21	Pos-CDM-W	Positioning Jig for Wide VariMount/MotoMount Clamping Device
1638.22	CF1-CDM-W	Wide VariMount/MotoMount Clamping Fork, Short
1638.23	CF2-CDM-W	Wide VariMount/MotoMount Clamping Fork, Long
1638.24	CJ-CDM-W	Clamping Jaws with Side Extensions for Wide VariMount/MotoMount Clamping Device (Pair)
1638.26	T-CDM-W	T Plate of Wide VariMount/MotoMount Clamping Device



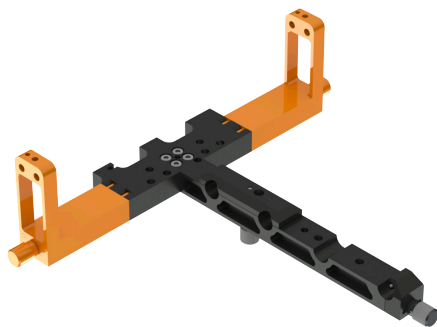
Pos-CDM-W



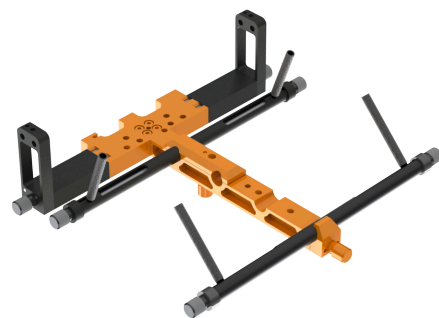
CF1-CDM-W



CF2-CDM-W



CJ-CDM-W



T-CDM-W

Spare parts for CDM-R and CDM-W

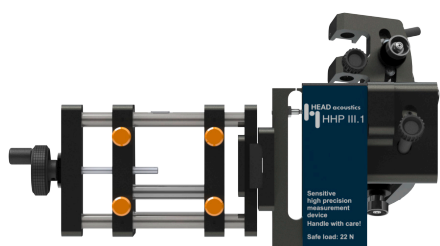
Code	Type	Description
1638.31	UT-CDM	Upper Part of T Plate of MotoMount Clamping Device (Upgraded Part CDV > CDM)



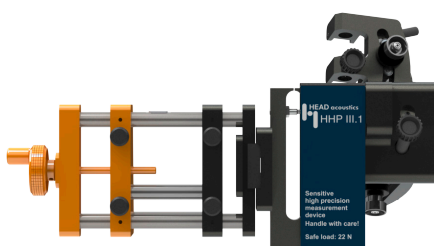
UT-CDM

Miscellaneous spare parts

Code	Type	Description
1636.01	S0-HHP III	Mounting Screws, Ym Mechanism to HMS, 4 pcs.
1636.02	S1-HHP III	Crank Unit for HHP III, Complete
1636.03	S2-HHP III	Mounting Screw, 3D Mechanism to Ym Mechanism
1636.04	S5-HHP III	Mounting Screw, Clamping Device to 3D Mechanism
1636.05	S6-HHP III	Fixing Screws, 3D Mechanism, Complete, 3 pcs.



S0-HHP III



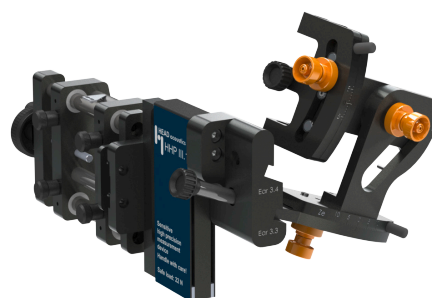
S1-HHP III



S2-HHP III



S5-HHP III



S6-HHP III



Contact Information

Ebertstraße 30a

52134 Herzogenrath, Germany

Phone: +49 (0) 2407 577-0

E-Mail: sales@head-acoustics.com

Website: www.head-acoustics.com