



Code 1413 & 163n.nn

HHP IV Spare Parts

Parts lists and illustrations of spare parts for HHP IV

DETAILS

PARTS LISTS

The spare parts are listed in parts lists, illustrated and highlighted orange in assemblies.

Electronic spare parts

Code	Type	Description
1413	RC HHP IV	Handheld Remote Control for HHP IV (Includes HHP IV Operation Management)



RC HHP IV

Common spare parts for CDM-R, CDM-W, CDV-R and CDV-W

Code	Type	Description
1636.09	Cap-CD-HHP	Rubber Caps for Clamping Device Screws, 10 pcs.
1638.01	Scr-CDM	Screws for VariMount/MotoMount Clamping Device, Set of 1 Extra Long, 2 Long, 2 Medium, 4 Short
1638.02	H1-CDM	VariMount/MotoMount Clamping Fork Holder with Screw, Middle
1638.03	H2-CDM	VariMount/MotoMount Clamping Fork Holder with Screw, End



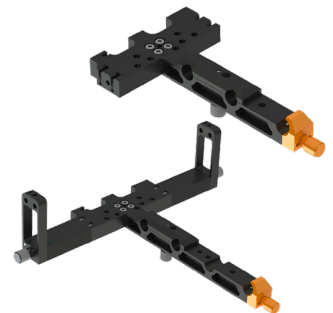
Cap-CD-HHP



Scr-CDM



H1-CDM



H2-CDM

Spare parts for CDM-R and CDV-R

Code	Type	Description
1638.11	Pos-CDM-R	Positioning Jig for Regular VariMount/MotoMount Clamping Device
1638.12	CF1-CDM-R	Regular VariMount/MotoMount Clamping Fork, Short
1638.13	CF2-CDM-R	Regular VariMount/MotoMount Clamping Fork, Long
1638.14	CJ-CDM-R	Clamping Jaws for Regular VariMount/MotoMount Clamping Device (Pair)
1638.16	T-CDM-R	T Plate of Regular VariMount/MotoMount Clamping Device



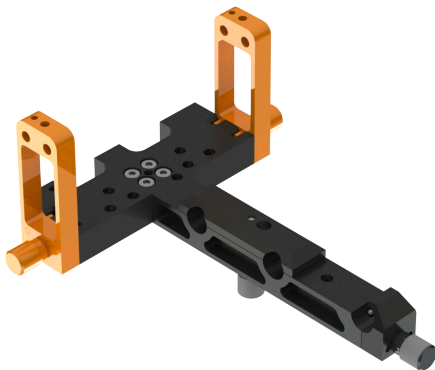
Pos-CDM-R



CF1-CDM-R



CF2-CDM-R



CJ-CDM-R



T-CDM-R

Spare parts for CDM-W and CDV-W

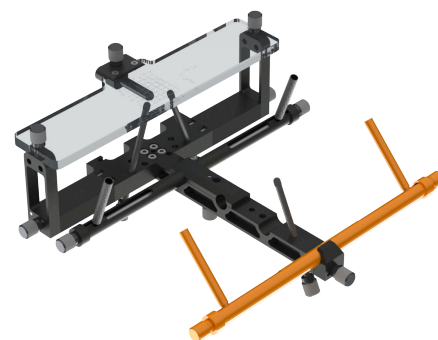
Code	Type	Description
1638.21	Pos-CDM-W	Positioning Jig for Wide VariMount/MotoMount Clamping Device
1638.22	CF1-CDM-W	Wide VariMount/MotoMount Clamping Fork, Short
1638.23	CF2-CDM-W	Wide VariMount/MotoMount Clamping Fork, Long
1638.24	CJ-CDM-W	Clamping Jaws with Side Extensions for Wide VariMount/MotoMount Clamping Device (Pair)
1638.26	T-CDM-W	T Plate of Wide VariMount/MotoMount Clamping Device



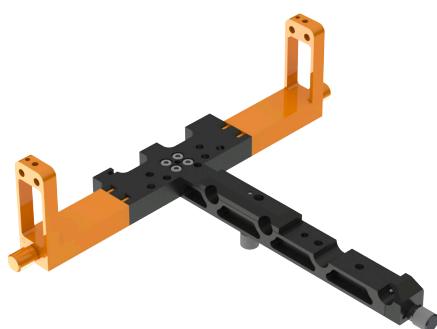
Pos-CDM-W



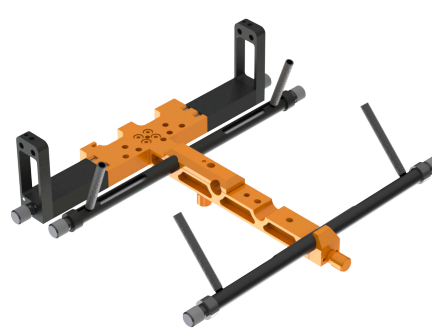
CF1-CDM-W



CF2-CDM-W



CJ-CDM-W



T-CDM-W

Spare parts for CDM-R and CDM-W

Code	Type	Description
1638.31	UT-CDM	Upper Part of T Plate of MotoMount Clamping Device (Upgraded Part CDV -> CDM)



UT-CDM

Miscellaneous spare parts

Code	Type	Description
1638.42	AK HHP IV	Allen Key 2.5 mm for Left/Right Mounting of HHP IV
1638.43	NMP HHP IV	Neck Mounting Plate for HHP IV (incl. Screws and Magnetic Holder for RC HHP IV)
1638.44	MH-RC HHP IV	Magnetic Holder for RC HHP IV (incl. Mounting Screw)
1638.45	Scr-Cal HHP IV	Screw for Calibration Disc for HHP IV (1 Piece)
1638.46	Scr-CDM HHP IV	Screw for Clamping Device HHP IV (1 Piece)
1638.47	Cal HHP IV HEC	Calibration Disc for HHP IV, HEC Ear Compatible (incl. Mounting Screws & Positioning Pointer)



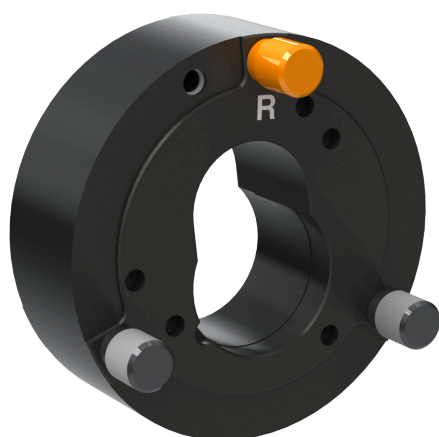
AK HHP IV



NMP HHP IV



MH-RC HHP IV



Scr-Cal HHP IV



Scr-CDM HHP IV



Cal HHP IV HEC



Contact Information

Ebertstraße 30a

52134 Herzogenrath, Germany

Phone: +49 (0) 2407 577-0

E-Mail: sales@head-acoustics.com

Website: www.head-acoustics.com