

# OELD

Bluetooth-enabled local display for Searchline Excel and Searchpoint Optima Plus



## OELD SPECIFICATION

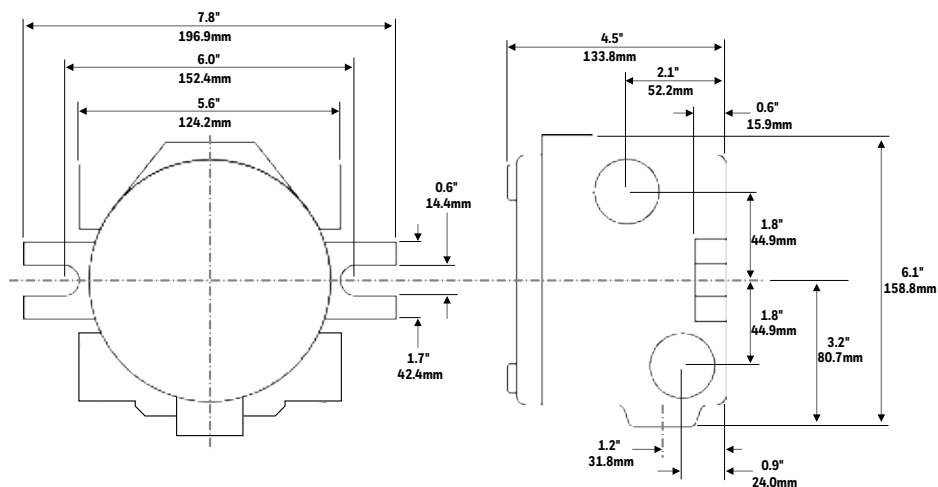
<b>MATERIAL</b>	Marine-grade aluminium alloy or 316 stainless steel with 5-coat painted finish
<b>WEIGHT</b>	Aluminium version 2.3 kg (5 lb), stainless steel version 5.0 kg (11 lb)
<b>DIMENSIONS</b>	159 x 197 x 114 mm (6 ¼ x 7 ¾ x 4 ½ inch)
<b>CABLE ENTRIES</b>	5 x M25 (ATEX/IECEx version) or 5 x ¾" NPT (cULus version). One reserved for sensor connection. 3 blanking plugs supplied for unused entries.
<b>TERMINATION</b>	2 x pluggable rising-clamp type for connection to gas detector and field wiring. Accepts cable sizes of 0.5 to 2.5mm <sup>2</sup> , 12 to 28 AWG
<b>STORAGE TEMPERATURE</b>	-40 to +65 °C (-40 to 149 °F)
<b>OPERATIONAL TEMPERATURE</b>	-40 to +65 °C (-40 to 149 °F) -60 to +65 °C (-76 to 149 °F) (CU TR-EX version only)
<b>HUMIDITY</b>	0 to 99% RH (non-condensing)
<b>DISPLAY</b>	LCD module showing digital readout of sensor output, bar chart representation, units of measurement, status icons for alarm, maintenance and active Bluetooth connection.
<b>CONFIGURABLE DISPLAYED INFORMATION</b>	Displayed information fully user-configurable using the OELD mobile app. Units of measurement selectable from: <ul style="list-style-type: none"> <li>• %LEL, %VOL, ppm, kppm, mg/m<sup>3</sup>, g/m<sup>3</sup> (point detectors)</li> <li>• LEL.m, ppm.m (open path detectors)</li> <li>• mA, A, dB, DBA (other)</li> </ul> Gas name (up to 4 alpha-numeric characters) Measurement range
<b>VISUAL INDICATION</b>	Green/yellow/red/blue multi-colour backlit display for indication of detector and OELD status. Green (normal) indication can be disabled via app.
<b>POWER SUPPLY</b>	18 to 32 Vdc (24 Vdc nominal), <2 W
<b>INTERFACES</b>	Bluetooth® (BLE) non-intrusive connection to suitable mobile device running the OELD mobile app. Range up to 10 m (30 feet) (mobile device dependant) Internal RS-485 connection to Searchpoint Optima Plus or Searchline Excel via SHC-1 through the SHC Protection Device
<b>COMPATIBLE GAS DETECTORS</b>	Searchpoint Optima Plus, Searchline Excel, Searchline Excel Cross-Duct, generic 4 to 20 mA devices
<b>ENVIRONMENTAL PROTECTION</b>	IP66 / Type 4X (in accordance with NEMA 250)
<b>CORE APPROVALS</b>	EN 50270: 2015 (EMC) IEC/EN/UL/CSA 61010 (Electrical Safety)

# OELD Specifications

OELD SPECIFICATION	
	ATEX/IECEX DEMKO 16 ATEX 1693X IECEX [UL 16.0066X] II 2 GD Ex db IIC T6 Ex tb IIIC T85 °C Tamb -40 to +65 °C EN 60079-29-1 Approved Accessory
<b>SAFETY APPROVALS</b>	cULus Class I, Div 1, A, B, C & D Class II, Div 1 F & G, Class III, Div 1 Tamb -55 to +65 °C Temp Code T6 Class I, Zone 1, AEx d IIC T6 Class I, Zone 2, AEx tb IIIC T6 ISA 60079-29-1 CU TR-Ex (Russian Customs Union), Tamb -60 to +65 °C* CCCF* Inmetro* NEPSI+* PESO+*
<b>MARITIME APPROVALS*</b>	Type approved to DNV, BV+, Lloyds+, ABS, EN 60945 (EMC) IEC 60092-504
<b>OTHER APPROVALS</b>	Bluetooth Certified, Radio Equipment Directive (RED), FCC+, country-specific wireless approvals
<b>BLUETOOTH COMMUNICATION SECURITY</b>	Certificate-based mutual authentication. Encryption to AES128

\*CONTACT HONEYWELL FOR AVAILABILITY +FLAMEPROOF VERSIONS ONLY

## OELD Dimensions



## Authorised distributor

### Order Placement:

For customer service, call 1300-735-292

To fax an order, use 1800-067-639

To email an order, [ordersau@thermofisher.com](mailto:ordersau@thermofisher.com)

### Contact Us:

For customer service, call 1300-735-292

For service and calibration, call 1300-736-767

To order online: [thermofisher.com](http://thermofisher.com)

**ThermoFisher**  
SCIENTIFIC