



**Reliable infrared open path
gas detection for ducts**

Cross-Duct Technology



Applications include

- Control rooms
- Personal refuge areas
- Turbine enclosures

Features & benefits

- Fast speed of response provides earliest warning
- High sensitivity allows low alarm set points
- Alignment free design makes installation simple
- Duct flex and vibration tolerance keeps the system online
- Integral functional gas test facility allows for simple system check
- Contamination resistant optics reduce the need for unscheduled maintenance
- Immune to catalytic poisons
- Works in inert atmospheres

Based on the proven open path design, Searchline Excel Cross-Duct was developed in response to the unique requirements for monitoring in HVAC ducting and Turbine Enclosures.

Searchline Excel Cross-Duct delivers the highest speed of response at low alarm set points over a wide temperature range

With continuous improvement and the highest quality manufacturing and control processes, Honeywell Analytics Searchline Excel Open Path flammable gas detector provides best in class gas detection. Searchline Excel is often the chosen primary flammable gas detector in conjunction with Searchpoint Optima Plus as complimenting flammable point detection.

Cross duct flammable gas detectors compliment other system gas protectors such as toxic gas detection, providing a fast and effective protection to gas ingress into ventilation ducts.



Modbus digital output - know before you go!

Searchline Excel is also available as a kit with the XNX Universal Transmitter, featuring both a local HART® port and HART® over 4 to 20mA as standard. These solutions allow configuration of the Searchline Excel through the XNX user interface or using a compatible HART® hand-held interrogator one device. Alternatively, an intrusive

connection to the Searchline Excel using an SHC-1 hand-held interrogator together with an SHC-1 protection device module can be made in applications that allow such operations.

The multi drop Modbus capability can enable significant savings in installation and cabling costs. A single comms cable can be run between up to 32 detectors instead of the

usual 'single run' required for each detector. Additionally, the 2 way digital communication protocol allows configuration, warning and fault diagnosis information to be communicated back to the control room. This reduces servicing and maintenance costs as the operator can diagnose the state of any individual unit before deciding to send anyone into the field.

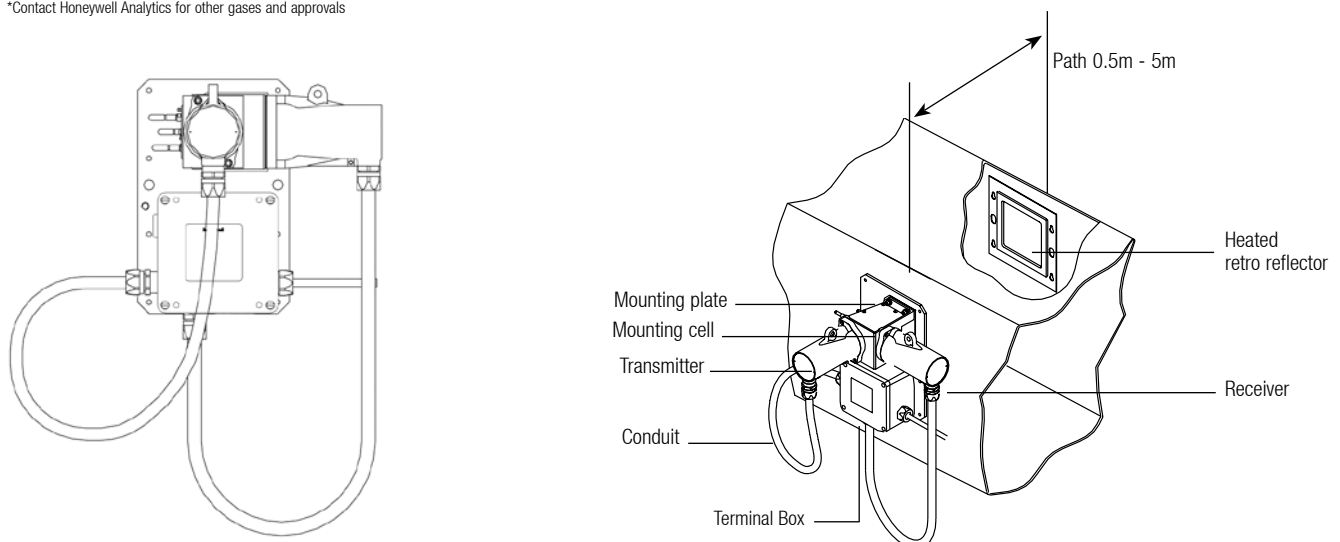
Technical Summary

Searchline Excel Cross-Duct



Specification	
Available Gas Calibrations	Methane (gas mixtures where methane is the main constituent (>70%) and the balance is C ₂ - C ₆ hydrocarbons)*
Detection Range	0-100% LEL
Minimum Alarm Thresholds	20% LEL (>0.5 to 2.5m duct width) 10% LEL (>2.5m to 5m duct width)
Speed of Response	T90 < 1 second
Output Signals	Measuring range: 4-20mA sink or source (Default current source) Over range: 21mA Warning: 3mA Beam Block: 2.5mA Inhibit: 2mA Fault: 0mA
Diagnostics	RS485 serial link
Digital Output	Modbus RS485 multi drop. (Using DX100(M) or XNX Universal Transmitter with Modbus option)
Operating Temperature	-40°C to +50°C (-40°F to 122°F) ambient. An internal duct temperature of up to 60°C (140°F) is acceptable, provided the ambient temperature outside the duct at the Transmitter and Receiver unit is within the operating range. Contact Honeywell Analytics for high temperature applications
Operating Humidity	0-99% (non condensing)
Operating Pressure	91.5-105.5 kPa (non compensated)
Repeatability	5.0% LEL (<1 metre duct width) 2.5% LEL (>1 metre duct width)
Warm-up Time	<1 hour (fully stabilised)
Power Supply	Unit: 18 to 32V dc Heated Reflector Panel: 18 to 28V dc
Power Consumption	Unit: 13W max. Heated Reflector Panel: 6W (nom) @ 24VDC
Enclosure Material	316 Stainless steel
IP Rating	IP66 and IP67
Weight	Transceiver 13kg, reflector panel 5kg (>0.5m to 2.5m duct width), 10kg (>2.5 to 5.0m duct width)
Vibration	2-60Hz, max ptp amplitude 1mm
EMC Standards	EN50270
Safety Approvals	<p>ATEX Transmitter: Ⓜ II 2 G Ex d op is IIC T5 (T_{amb} -40°C to +65°C) Gb Ⓜ II 2 G Ex d op is IIC T6 (T_{amb} -40°C to +40°C) Gb</p> <p>Receiver: II 2 G Ex d IIC T5 (T_{amb} -40°C to +65°C) Gb II 2 G Ex d IIC T6 (T_{amb} -40°C to +40°C) Gb</p> <p>Heated Panel ATEX: Ⓜ II 2 G Ex d IIC Gb T3 (T_{amb} -40°C to +60°C) UL: Class 1, DIV 1, Groups B, C, D T_{amb} -40°C to +60°C</p> <p>IECEx Transmitter: Ex d op is IIC T5 (T_{amb} =-40°C to +65°C) Gb Ex d op is IIC T6 (T_{amb} =-40°C to +40°C) Gb</p> <p>Receiver: Ex d IIC T5 (T_{amb} -40°C to +65°C) Gb Ex d IIC T6 (T_{amb} -40°C to +40°C) Gb UL: Class 1 Groups B, C, D and Class 1 Zone 1 AEx d IIB + Hydrogen (Amb -40°C to +65°C)</p>

*Contact Honeywell Analytics for other gases and approvals



Honeywell Analytics Gas Detection



Honeywell Analytics is able to provide gas detection solutions to meet the requirements of all applications and industries. Contact us in the following ways:

Authorised distributor

Order Placement:

For customer service, call 1300-735-292
To fax an order, use 1800-067-639
To email an order, ordersau@thermofisher.com

Contact Us:

For customer service, call 1300-735-292
For service and calibration, call 1300-736-767
To order online: thermofisher.com

ThermoFisher
SCIENTIFIC

Technical Support Centres

Honeywell Analytics Ltd.
4 Stinsford Road
Nuffield Industrial Estate
Poole, Dorset, BH17 0RZ
United Kingdom
Tel: +44 (0) 1202 645 544
Fax: +44 (0) 1202 645 555

Honeywell Analytics
ZAC Athélia 4 - 375 avenue du Mistral
Bât B, Espace Mistral
13600 La Ciotat
France
Tel: +33 (0) 4 42 98 17 75
Fax: +33 (0) 4 42 71 97 05

Honeywell Analytics
Elsenheimerstrasse 43
80687 München
Germany
Tel: +49 89 791 92 20
Fax: +49 89 791 92 43

Honeywell Analytics
P.O. Box-45595
6th Street
Musaffah Industrial Area
Abu Dhabi
UAE
Tel: +971 2 554 6672
Fax: +971 2 554 6672

EMEA: HAexpert@honeywell.com
US: ha.us.service@honeywell.com
AP: ha.ap.service@honeywell.com

www.honeywellanalytics.com
www.raesystems.com

Honeywell Analytics
Experts in Gas Detection

BWF
Technologies
by Honeywell

RAE
SYSTEMS
by Honeywell

Please Note:

While every effort has been made to ensure accuracy in this publication, no responsibility can be accepted for errors or omissions. Data may change, as well as legislation, and you are strongly advised to obtain copies of the most recently issued regulations, standards, and guidelines. This publication is not intended to form the basis of a contract.

13463_H_Searchline Excel Cross Duct_DS01153_V1_EMEA

02/15

© 2015 Honeywell Analytics

Honeywell