


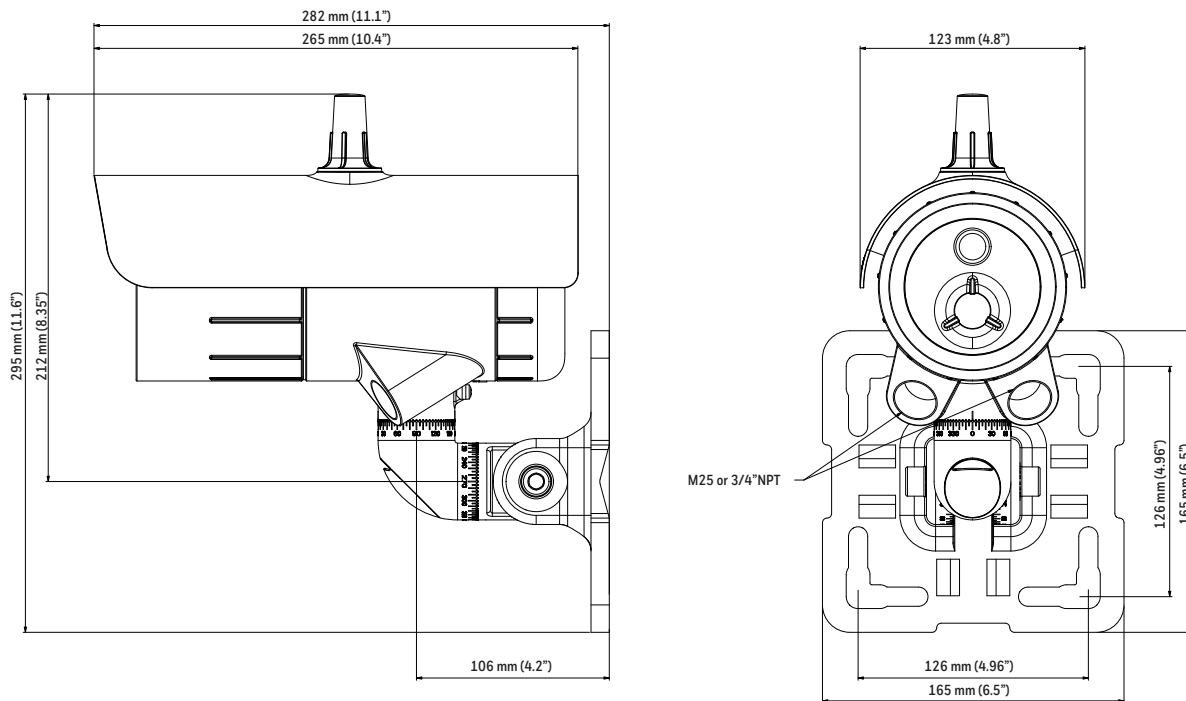
SEARCHZONE SONIK™

Ultrasonic Gas Leak Detector

GENERAL	
Manufacturer	Honeywell
Model	Searchzone Sonik™ Ultrasonic Gas Leak Detector
Part Numbers	SZSK-SMGXX, SZSK-SNGXX
GAS DETECTOR SPECIFICATIONS	
Sensor Type	Tuned piezoelectric transducer
Detection Method	Sound Pressure Level at sensor
Frequency Range	18 kHz to 70 kHz
Dynamic Range	60 dB to 120 dB (detectable range of 40 dB to 140 dB)
Calibration	Factory calibrated (no field calibration required)
Detector Range	Typically 20 m (Standard Mode) or 7 m (Focus Mode) on-axis. Background noise dependent. Reference the manual.
Recommended Alarm Setting	6 dB above background noise
Cone of Detection	+/- 90 degrees (Standard Mode), +/- 20 degrees (Focus Mode)
Speed of Response	Sensor response 1 second; Programmable Verification time from 1 to 600 seconds
Electronic Self Test	Built in test diagnostics
Storage Temperature	-55° C to +75° C (-67 °F to +167 °F)
Operating Temperature	-55° C to +75° C (-67 °F to +167 °F)
Operating Humidity	0 to 100% Relative Humidity Condensing
Warm-up Time	Less than 5 minutes (operational)
Power Supply & Maximum Power Consumption	24Vdc nominal (18 Vdc to 32 Vdc) 4W for ambient operating temperature -30°C and above, 15 W for ambient operating temperature below -30°C (heater is active)
Cable entries	2 x M25 or 2 x 3/4" NPT
Relays	Relays (1 fault, 2 Alarm) – Max. 32 Vdc/ac, max. 2 A resistive load.
Analog Output Signal	4–20 mA Normal operation, 1 mA Fault, 2 mA Inhibit, 3 mA Warning, 21 mA Overrange. Isolated, sink or source. Linear configurable output corresponding to Sound Pressure Level or discrete mode.
Digital Communications	Modbus RTU RS-485. HART® with handheld communicator or hardwired. Bluetooth® to smartphone or tablet.
Event Logs	Time stamped
Visual Indication	High Visibility LED; green/yellow/red/blue to indicate detector status. Green (normal) indication can be disabled via Searchzone Sonik App.
Dimensions and Weight	Instrument: 103 dia x 235 x 179 mm, 6.1 kg (13.5 lbs) Standard Mount: 165 x 165 x 127 mm, 2.9 kg (6.4 lbs) Large Mount: 210 x 210 x 127 mm, 3.5 kg (7.7 lbs)
Enclosure Material	Stainless Steel 316L; with paint finish
Standard or Large Mounting Bracket	Stainless Steel. Graduated to enable Searchzone Sonik™ to be simply mounted and aimed in 5 degree steps
Interfaces	Bluetooth® non-intrusive connection to suitable mobile device running the Searchzone™ Sonik mobile app. Range up to 20 m (mobile device dependent).
Vibration	2 - 60 Hz, maximum peak to peak amplitude 1 mm
Ingress Protection (IP) Rating	IP 66 / 67 (Type 4X), according to NEMA 250
Core Approvals	EN 50270: 2015 (EMC) IEC/EN 61000-6-4; EMC Directive 2014/35/EU IEC/EN/UL/CSA 61010 (Electrical Safety) FCC RoHS, China RoHS

GAS DETECTOR SPECIFICATIONS

Safety Approvals	ATEX Ⓜ II 2 GD Ex db ia IIC T4 Ex tb IIIC T85°C Ex db eb ia IIC T4 Tamb -55 to +75°C (-67 to 167 °F)
	cULus Class I, Div 1, B, C & D Class II/III, E, F & G (pending) Tamb -55 to +75°C Class I Zone 1 AEx d ia IIC T4 (USA) Class I Zone 1 Ex d ia IIC T4 (Canada)
	IECEX Ex d b ia IIC T4 Ex tb IIIC T85°C Ex db eb ia IIC T4 Tamb -55 to +75°C (-67 to 167 °F)
Marine Approvals	Type approved to DNV, BV, Lloyds, ABS Location Classes: Temp B, Humidity B, Vibration A & C, EMC B
Other Approvals	BT SIG (Bluetooth®), RED, FCC+, country-specific wireless approvals EN 61508:2010 SIL2 -55 °C to +75 °C, independently assessed by TÜV CCCF INMETRO
Bluetooth communication security	Certificate-based mutual authentication. Encryption to AES128
Warranty Period	36 months from date of shipment.
ACCESSORIES	
Adjustable Mounting Bracket	Standard bracket (included). Large bracket (optional), 2331B1112
Sunshade	Plastic (included), stainless steel sunshade (optional), 2331B1131
Hand-Held Tester	Ultrasound-generating device used for functional verification, 2331B1000
Hand Held Communicator	I.S. Android Smartphone. Download the Searchzone Sonik™ App  . Contact Honeywell for more information.



Note: Standard Bracket shown

Please Note:

While every effort has been made to ensure accuracy in this publication, no responsibility can be accepted for errors or omissions. Data may change, as well as legislation, and you are strongly advised to obtain copies of the most recently issued regulations, standards, and guidelines. This publication is not intended to form the basis of a contract.

DS01199 | Searchzone Sonik_Spec Sheet_A4_1217 | 01/21
 © 2021 Honeywell Analytics

**THE
 FUTURE
 IS
 WHAT
 WE
 MAKE IT**

Honeywell

Authorised distributor

Order Placement:

For customer service, call 1300-735-292

To fax an order, use 1800-067-639

To email an order, ordersau@thermofisher.com

Contact Us:

For customer service, call 1300-735-292

For service and calibration, call 1300-736-767

To order online: thermofisher.com

ThermoFisher
S C I E N T I F I C