



The Sensepoint range of flammable, toxic and Oxygen gas detectors offers users a cost-effective solution to their gas monitoring needs



One-Stop Shop

- Flammable, toxic and Oxygen versions available
- Suitable for indoor or outdoor use
- IP65 as standard

Proven Sensor Technology

- Surecell™ electrochemical sensors
- Poison resistant catalytic bead
- Fast and reliable
- Typical 2 to 5 years operational life

ATEX Certified

- Complies with the latest European standards
- Hazardous area and performance approvals
- Can be used for uncertified applications

Easy to Use

- Factory set operation
- Simple sensor replacement
- Minimal training required

Friendly Installation

- Universal junction box
- One box, three entries
- Metric and NPT compatibility
- Includes earth continuity plate for enhanced protection against RFI

Range of Accessories

- Weather Housing (IP66)
- Flow adaptor
- Collecting cone

The Sensepoint range of flammable, toxic and Oxygen gas detectors offers users a cost-effective solution to their gas monitoring needs, in or out of doors and even in potentially explosive atmospheres. Supplied with a pre-wired junction box, this detector can be installed using conduit or armoured cable and glands depending on the specific needs of the application.

Sensepoint flammable and toxic gas detectors are designed for use in potentially explosive atmospheres, and allow for easy access to terminals via the hinged lid of the junction box. Installation should follow national guidelines using suitably approved armoured cable and glands or conduit.

Supplied with an earth continuity plate for increased resistance to the effects of RFI, the junction box offers the installer a choice of ½", ¾" and M20 connection via conduit or armoured cable and Ex e certified cable glands. Terminals are suitable for use with screened 0.5mm² (20AWG) to 2.5mm² (14AWG) cross sectional area cable, as needed to ensure minimum operating voltage at the detector, depending upon installed cable length.

Sensepoint flammable, toxic and Oxygen gas detectors are designed for direct connection with the Honeywell Analytics' range of Touchpoint controllers.

Contact Honeywell Analytics for details.



Installation Details

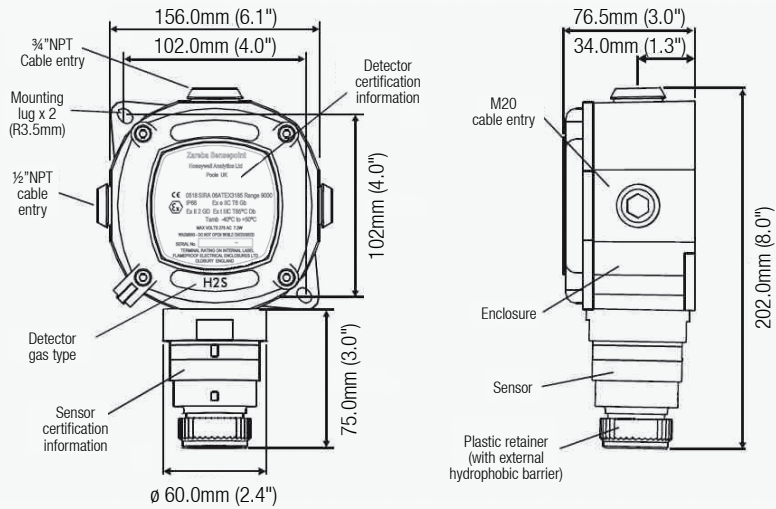


Dimensions

Sensepoint flammable and toxic gas detectors offer multiple cable entry sizes as standard and allow for quick and easy installation via the hinged lid of the junction box.

The junction box is suitable for mounting onto any suitable flat surface able to support the weight of the unit such that when installed, the sensor is in a downward position. For ceiling mounting an optional bracket is available to allow for this.

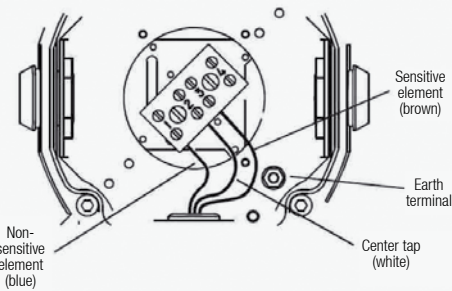
Cable can be entered into the junction boxes via a gland or conduit through one or more positions in the top or sides of the unit.



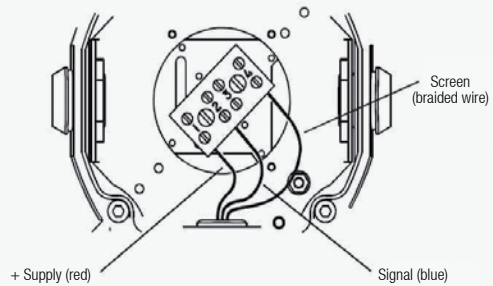
Flammable version

Toxic and Oxygen version

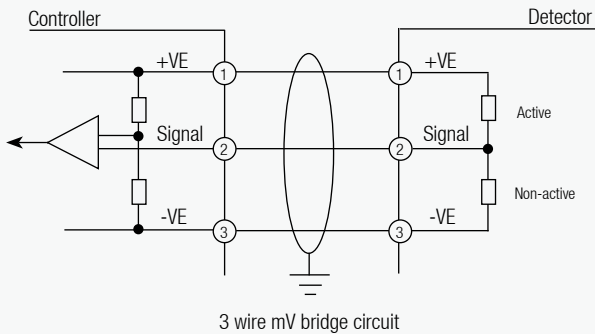
Terminal arrangement



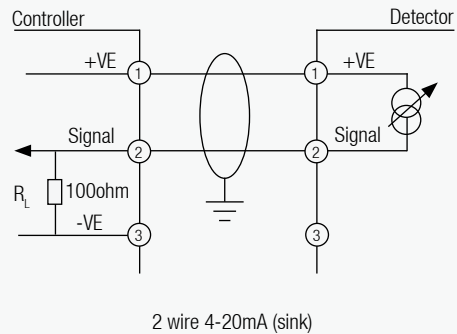
Terminal arrangement



Electrical connections



Electrical connections



Technical Summary



| General specification | | | | | |
|--------------------------------|--|--|----------|--|--------------|
| Use | Cost-effective, fixed point gas detector for the protection of personnel and plant from flammable, toxic and Oxygen gas hazards | | | | |
| Detectable gases | | | | | |
| Gas | Measuring range | | | Operating temperature* | |
| Ident Name | 1# | 2 | 3 | Min | Max |
| F Flammable | 0-100% LEL | | | -40°C / -40°F | 50°C / 122°F |
| O Oxygen | 0-25% VOL | | | -15°C / 5°F | 40°C / 104°F |
| C Carbon Monoxide + | 0-200ppm | 0-500ppm | | -20°C / -4°F | 50°C / 122°F |
| H Hydrogen Sulphide + | 0-50ppm | 0-20ppm | 0-100ppm | -25°C / -13°F | 50°C / 122°F |
| G Hydrogen | 0-1000ppm | | | -5°C / 23°F | 40°C / 104°F |
| L Chlorine | 0-5ppm | 0-15ppm | | -20°C / -4°F | 50°C / 122°F |
| S Sulphur Dioxide | 0-15ppm | 0-50ppm | | -15°C / 5°F | 40°C / 104°F |
| N Nitrogen Dioxide | 0-10ppm | | | -15°C / 5°F | 40°C / 104°F |
| A Ammonia | 0-50ppm | 0-1000ppm | | -20°C / -4°F | 40°C / 104°F |
| + SureCell™ Sensing Technology | *Standard range | | | *Check certified temperature | |
| Construction | | | | | |
| Electrical | Flammable (0-100%LEL) 3 wire mV bridge 2.9-3.5V, 0.7W 200mA constant current | Toxic & Oxygen 2 wire loop powered 4-20mA (plus screen) 16-30Vdc, 0.9W | | Junction Box Earth continuity plate BK4 terminal block (4 way) 4 x 0.5mm ² (20AWG) to 2.5mm ² (14AWG) 1 x M20, 1 x ¾" NPT, 1 x ½" NPT | |
| Material | Polyphenylene Sulphide (PPS) | Polyphenylene Sulphide (PPS) | | Fire retardant GFP | |
| Weight | 190g | 185g (205g Oxygen) | | 600g | |
| Certification | Ⓜ II 2GD Ex d IIC T6 Gb Ex tb IIIC A21 Db IP67 T85°C (T _{amb} -40°C to +55°C) or T100°C (T _{amb} -40°C to +70°C) or T135°C (T _{amb} -40°C to +80°C) Baseefa08ATEX0265X IECEx BAS08.0068X | Ⓜ II 2 GD Ex d ia IIC T4 Gb T _{amb} -40°C to +65°C Ⓜ Ex tb IIIC A21 IP67 T135°C Db Baseefa08ATEX0263X IECEx BAS08.0070X | | Ⓜ II 2GD Ex e IIC T6 Gb T _{amb} -40°C to +50°C Ex t IIIC T85°C Db IP66 Sira 06ATEX3185 | |
| Applicable standards | This product complies with the relevant CE standards including: EMC to EN50270, Flammable to EN60079-29-1, Toxic to EN445544 (H ₂ S only) | | | | |
| Environmental | | | | | |
| IP rating | IP65 standard, IP66 with weather protection in accordance with EN60529:1992 | | | | |
| Operating temperature | Dependent upon gas type and certification | | | | |
| Operating humidity range | Continuous: 20-90% RH (non condensing), Intermittent: 10-99% RH (non condensing) | | | | |
| Operating pressure | 90-110kPa | | | | |
| Storage conditions | Instrument -40°C to +50°C (-40°F to +122°F) | | | | |

*Oxygen detection products must only be used to detect Oxygen depletion in air



Ordering Information



Ordering Information

e.g. SPSTAX **H** **1** = SPSTXX**H1**

| GAS TYPE | RANGE |
|----------------------------|--|
| F Flammable | 1 } Refer to 2 } Detectable Gases 3 } Table Above |
| O Oxygen | |
| C Carbon Monoxide | |
| H Hydrogen Sulphide | |
| G Hydrogen | |
| L Chlorine | |
| S Sulphur Dioxide | |
| N Nitrogen Dioxide | |

| | | |
|------------------------------|--|--|
| Standard Supply | Each detector is supplied complete with junction box, multiple cable entries, earth continuity plate, hinged lid and instruction leaflet, all sealed in a plastic bag inside a shipping carton | |
| Shipping Details | Shipping carton dimensions: 160mm (6.3") (L) x 215mm (8.5") (W) x 80mm (3.1") (D) Approximate weight: 800g | |
| Optional Accessories | 02000-A-1645 | Calibration gas flow housing (for flammable & toxic) |
| | 00780-A-0160 | Right angle mounting bracket for ceiling mounting |
| | 02000-A-1640 | Weather Housing for use with flammable detector including remote gassing nozzle |
| | 02000-A-1635 | Weather Housing for use with toxic/Oxygen detector including remote gassing nozzle |
| | 02000-A-1642 | Collecting cone for use with flammable detector |
| Calibration Equipment | Contact Honeywell Analytics Representative | |



Our Product Range



Fixed Gas Monitoring

Honeywell Analytics offers a wide range of fixed gas detection solutions for a diverse array of industries and applications including: Commercial properties, industrial applications, semiconductor manufacturers, energy plants and petrochemical sites.

- » Detection of flammable, Oxygen and toxic gases (including exotics)
- » Innovative use of four core sensing technologies – paper tape, electrochemical cell, catalytic bead and infrared
- » Billion (ppb) or Percent by Volume (%v/v)
- » Cost effective regulatory compliance solutions

Portable Gas Monitoring

When it comes to personal protection from gas hazards, Honeywell Analytics has a wide range of reliable solutions ideally suited for use in confined or enclosed spaces.

These include:

- » Detection of flammable, Oxygen and toxic gases
- » Single gas personal monitors – worn by the individual
- » Multi-gas portable gas monitors – used for confined space entry and regulatory compliance
- » Multi-gas transportable monitors – used for temporary protection of area during site construction and maintenance activities

Technical Services

At Honeywell Analytics, we believe in the value of great service and customer care. Our key commitment is providing complete and total customer satisfaction. Here are just a few of the services we can offer:

- » Full technical support
- » Expert team on hand to answer questions and queries
- » Fully equipped workshops to ensure quick turnaround on repairs
- » Comprehensive service engineer network
- » Training on product use and maintenance
- » Mobile calibration service
- » Customised programmes of preventative/corrective maintenance
- » Extended warranties on products

Authorised distributor

Order Placement:

For customer service, call 1300-735-292
To fax an order, use 1800-067-639
To email an order, ordersau@thermofisher.com

Contact Us:

For customer service, call 1300-735-292
For service and calibration, call 1300-736-767
To order online: thermofisher.com

ThermoFisher
S C I E N T I F I C

Technical Services

EMEA: HAexpert@honeywell.com
US: ha.us.service@honeywell.com
AP: ha.ap.service@honeywell.com

Please Note:

While every effort has been made to ensure accuracy in this publication, no responsibility can be accepted for errors or omissions. Data may change, as well as legislation, and you are strongly advised to obtain copies of the most recently issued regulations, standards, and guidelines. This publication is not intended to form the basis of a contract.