

TIVA

High end washers for the decontamination
of complex instruments



The TIVA Washer Disinfector Line

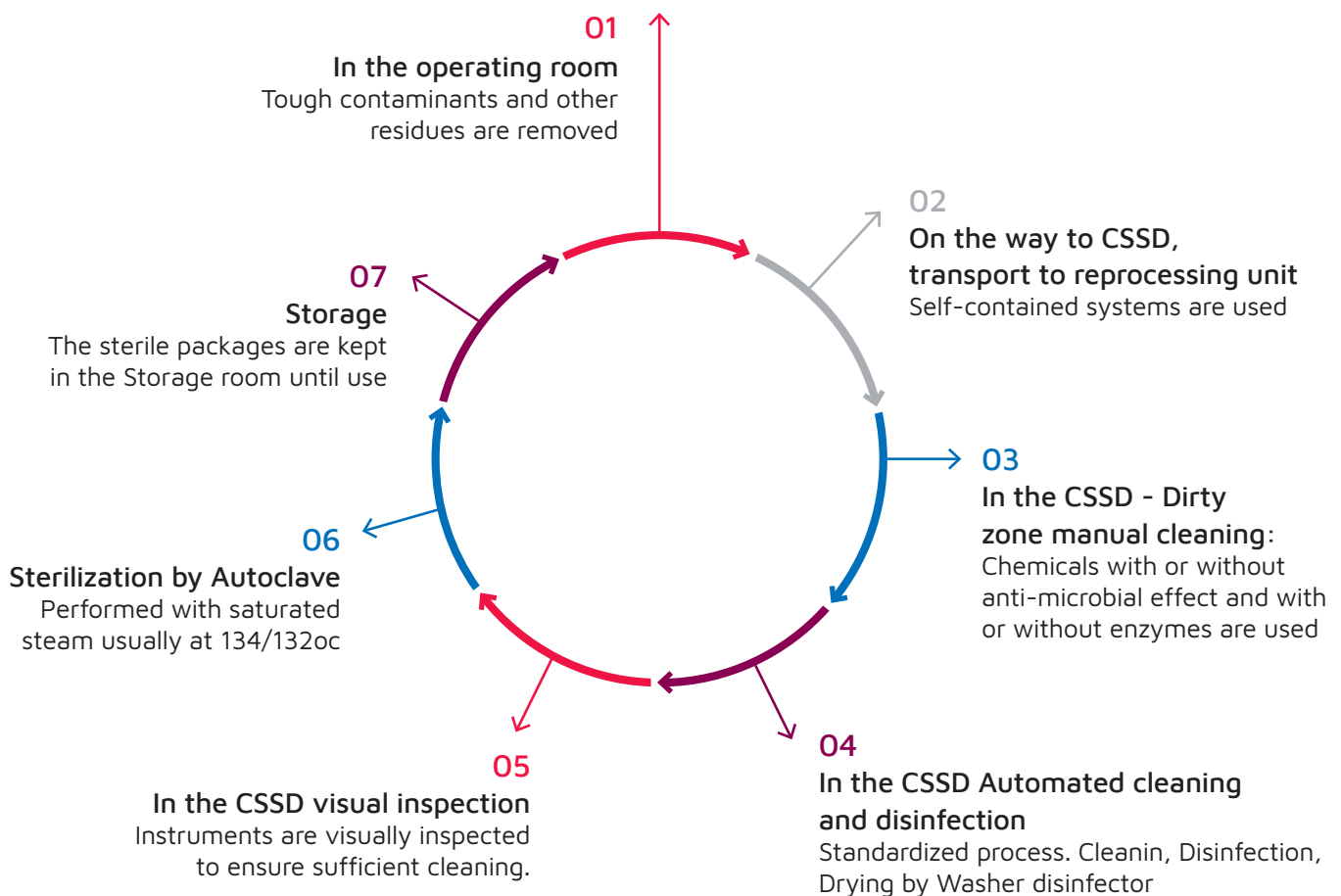
Surgeries are at the heart of the hospital. The timely delivery of sterile goods is crucial for hospital operation. Surgical instruments must go through strict and standardized cleaning, disinfection and sterilization processes before they can be reused. Keeping up with the high demand from the OR, providing quick instrument turnaround while ensuring patients' safety requires advanced solutions. The Tuttnauer Tiva washer-disinfectors meets these challenges by simplifying staff's mission and reducing processing time and costs.

The Tiva line is a top performer that:

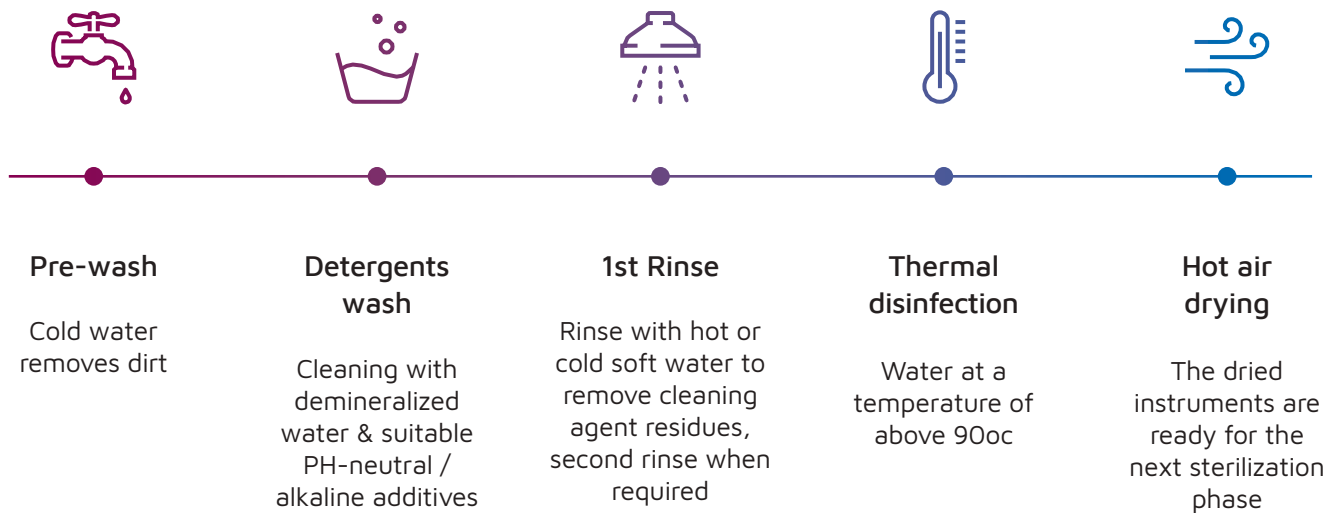
- Minimizes consumption and operation costs while maximizing sustainability
- Improves user experience with an advanced control system and an easy to use interface
- Uses the highest quality materials providing a safe and efficient process

Tiva washer disinfectors provide a flexible turnkey solution for washing, disinfecting and drying diverse medical instruments for a complete decontamination cycle.

Decontamination cycle:



Cleaning and disinfection process scheme example



Improved Productivity and Efficiency

- User Interface is designed to eliminate human error. A touchscreen control system provides an enhanced user experience. Operate the washer directly from a large color screen tracking every point of the process, the system parameters, charts and graphs. The validation of each cycle is easily viewed in a graphic display.
- Top Quality AISI 316L Stainless Steel chamber keeps the surgical instruments integrity, outlasting the harshest chemical substances. The frame is constructed from AISI 304 for extra resilience.
- Save Energy and Reduce Drying Time - A Steam Condenser treats excess water and steam in the chamber reducing energy consumption and drying time.
- Smart Load Type Recognition - Tiva identifies the trolley type and automatically recommends which programs to use according to load. This feature alone increases productivity and accuracy, saving energy and reducing human error.
- Tempered Glass Sliding Door for Visual Monitoring
- The washer-disinfector is designed to minimize floor space usage.



TIVA 8 UNDERCOUNTER MANUAL HINGED DOOR/S

UP TO 4 washing levels of total 8 DIN baskets capacity, 175 Liter chamber

The TIVA 8 washer is equipped with a manual hinged glass door and is best suited for clinics and dental practices. It can be loaded with up to 4 washing levels with a large variety of washing trolleys and accessories. Available trolleys for DIN baskets, containers, mini-invasive equipment, anesthesia kits, bottles, shoes and dental handpieces.

TIVA 8-1M

Narrow Design

175 Liter chamber

Dimensions (WxDxH mm) 600x650x860



Selectable configurations:
Detergent storage cabinet /Pre-heating tank for reduction of cycle time + Detergent cabinet and demineralized water connection

TIVA 8-WD-1M / TIVA 8-HS-1M

Wide design

175 Liter Chamber

Dimensions (WxDxH mm) 900x650x860



Speed
Cycle

Features

- Manual glass door
- Washing chamber made of high quality AISI 316L
- Touch panel with color graphic display
- A total of 40 programs: Preset and programmable procedures
- Air drying prefilter + HEPA H14 filter
- Preheated tank for cycle time reduction (only for HS model)
- 2 dosing pumps with flowmeter for acid and alkaline detergents (2 additional pumps optional)
- 3 heating elements
- Integrated water softener
- USB/ Printer for data documentation
- Built-in steam condenser



Optional

- Conductivity measurements to check rinse water quality before disinfection phase
- Demi water boiler (only for HS version)
- Chamber LED light: Operates during loading, unloading and running the program
- Trolley load type recognition
- Spray arm continuous monitoring of piping to guarantee that the load is currently washed
- Stainless steel stand for ergonomic loading and unloading (not installed under-counter)
- Water connection: Cold water softener, purified water (TIVA 8-1M, TIVA 8-WD-1M)
Cold water softener (TIVA 8-HS-1M)
- Graphic report of washing phases including time and temperature

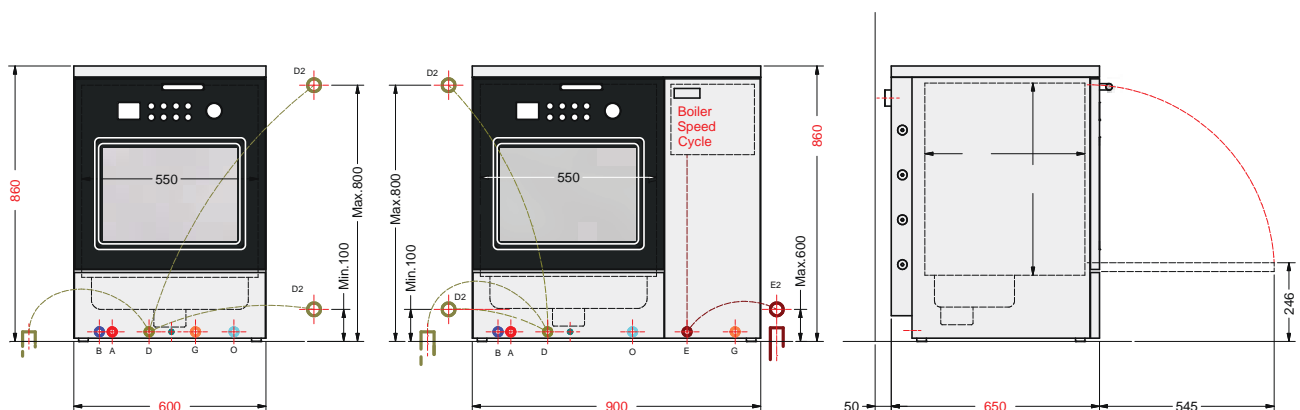
Drawings:

TIVA 8-1M

60 cm narrow design

TIVA 8-WD-1M / TIVA 8-HS-1M

90 cm wide design



A Hot water connection-3/4"g (tube 1/2"g)
B Cold water connection-3/4"g (tube 1/2"g)

D2 Drain dn 40 - hose connection 25mm (at wall)
G Electrical connection

O Demineralized water connection-1/2"g
E2 Drain dn 40 - hose connection 25mm (at wall)

TIVA 10-M MANUAL HINGED DOOR/S

UP TO 6 washing levels of total 12 DIN baskets capacity, 265 Liter chamber

The TIVA 10-M washer is equipped with manual hinged glass door/s and is best suited for surgical and sterilization departments. It can be loaded with up to 6 washing levels of total 12 DIN baskets with large variety of washing trolleys and accessories. Available trolleys for surgical instruments, tubular, laparoscopy, ophthalmology, containers, shoes, anesthesia and more.

TIVA10-1M / TIVA10-2M

265 Liter Chamber

Dimensions (WxDxH mm) 650x700x1850



TIVA10-1M / TIVA10-2M

265 Liter Chamber

Dimensions (WxDxH mm) 650x700x1850



Features

- Manual glass door/s
- Washing chamber made of high quality AISI 316L
- Touch panel with color graphic display
- A total of 40 programs: Preset and programmable
- Air drying prefilter + HEPA H14 filter
- Boiler for purified water
- 2 dosing pumps with flowmeter for acid and alkaline detergents (2 additional pumps are optional)
- 3 heating elements
- USB/ Printer for data documents
- Built-in steam condenser
- Storage cabinet for four 5L detergents

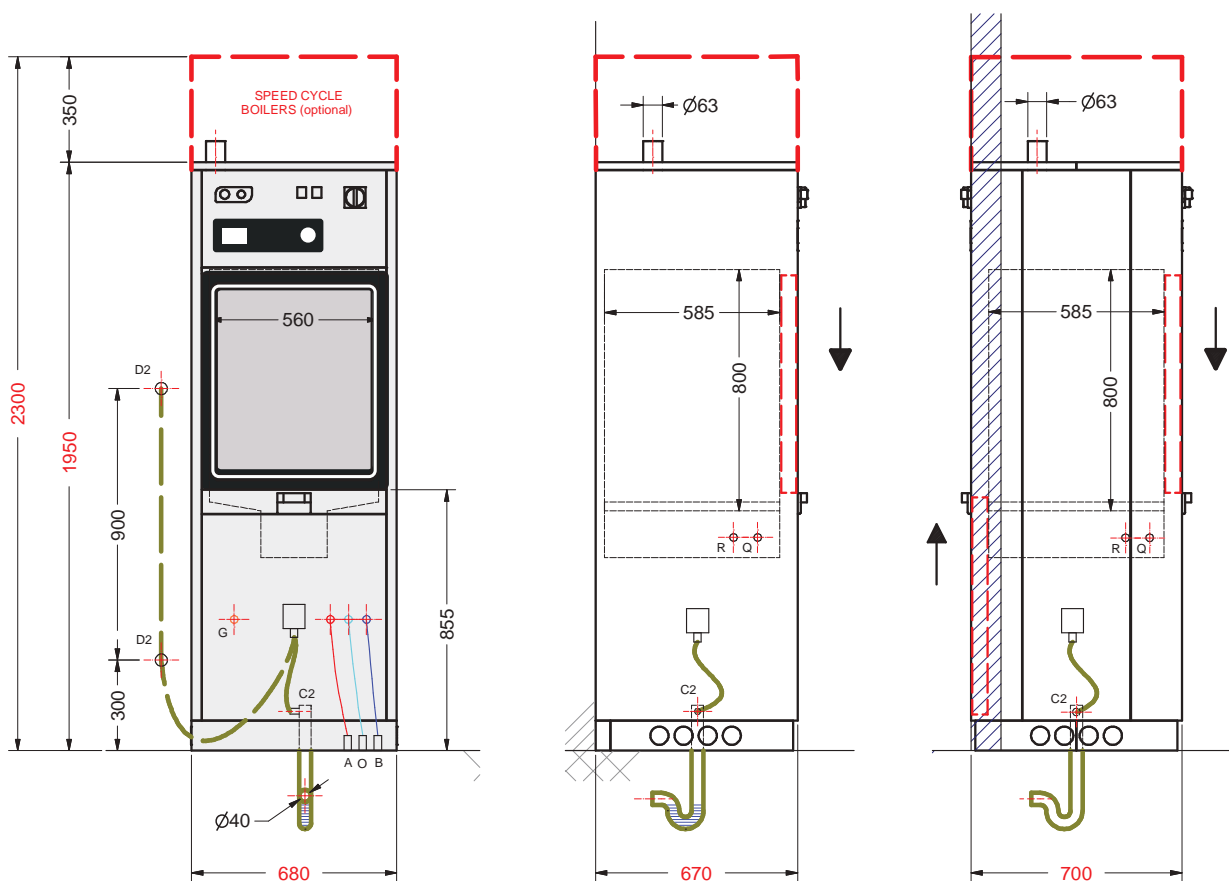
Optional

- Conductivity measurements to check rinse water quality before disinfection phase (if the machine is equipped with demineralized water connections)
- Chamber LED light: Illuminated during loading, unloading and running the program
- Washing trolley recognition
- Spray arm continuous monitoring of water system to guarantee that the load is currently washed
- Frame closing for pass-through configuration
- Wall drain pump
- Utility steam connection/hybrid heating: Steam and electric
- Water connection for normal version: Cold water softener, purified water
- Water connection for HS version: Cold water softener, 2nd boiler for warm water
- Graphic report of washing phases including time and temperature

Drawings:

TIVA10-1M / TIVA10-2M

TIVA10-1M / TIVA10-2M



A Hot water connection-3/4"g (tube 1/2"g)
B Cold water connection-3/4"g (tube 1/2"g)
C2 Drain dn 40 - hose connection 25mm (at floor)

D2 Drain dn 40 - hose connection 25mm (at wall)
G Electrical connection
O Demineralized water connection-1/2"g

Q Steam connection 1/2"g (inlet)
R Steam connection outlet 1/2"g (outlet)

TIVA 10-V

AUTOMATIC SLIDING DOOR/S

UP TO 6 washing levels of total 12 DIN baskets capacity, 265 Liter chamber

The TIVA 10-V washer is equipped with automatic sliding door/s and is best suited for surgical and sterilization departments. It can be loaded with up to 6 washing levels for a total 12 DIN baskets with large variety of washing trolleys and accessories. Available trolleys for surgical instruments, tubular, laparoscopy, ophthalmology, containers, shoes, anesthesia and more. The washer is equipped with a sensor for hands-free door operation.

TIVA10-1V / TIVA10-2V

Dimensions (WxDxH mm) 680x700x1950



TIVA10-1V-HS / TIVA10-2V-HS

Dimensions (WxDxH mm) 680x700x2300



Features

- Automatic sliding glass door/s
- Washing chamber made of high quality AISI 316L
- Touch panel with color graphic display
- A total of 40 programs: Preset and programmable
- Air drying prefilter + HEPA H14 filter
- Boiler for purified water
- 2 dosing pumps with flowmeter for acid and alkaline detergents (2 additional pumps optional)
- 3 heating elements
- USB/ Printer for data documents
- Built-in steam condenser
- Storage cabinet for four 5L detergents

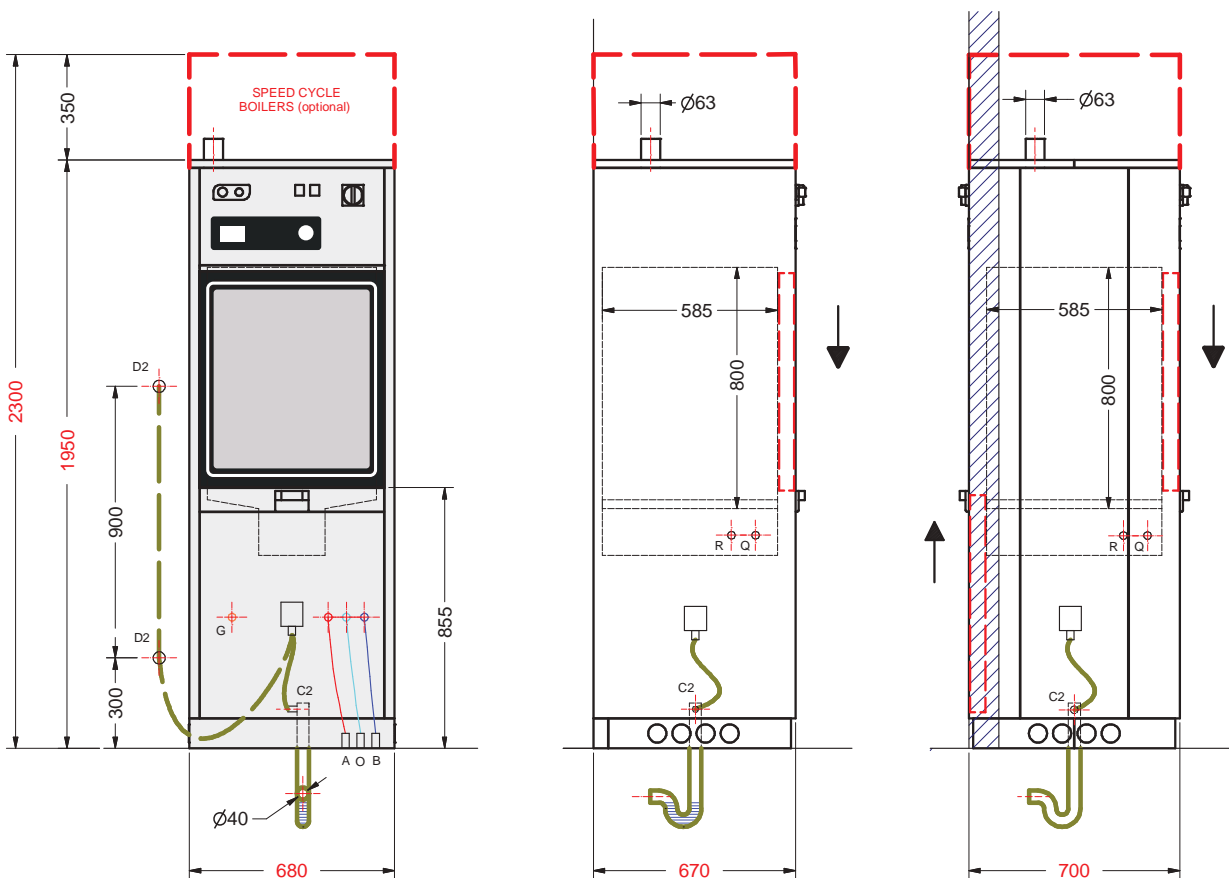
Optional

- Conductivity measurements to check the rinse water quality before disinfection phase (if the machine is equipped with demineralized water connections)
- Chamber LED light: Illuminated during loading, unloading and running the program
- Washing trolley recognition
- Spray arm continuous monitoring of water system to guarantee that the load is currently washed
- Frame closing for pass-through configuration
- Wall drain pump
- Utility steam connection/hybrid heating: Steam and electric
- Water connection for normal version: Cold water softener, purified water
- Water connection for HS version: Cold water softener, 2nd boiler for warm water
- Graphic report of washing phases including time and temperature

Drawings:

TIVA10-1V / TIVA10-2V

TIVA10-1V-HS / TIVA10-2V-HS



- A Hot water connection-3/4"g (tube 1/2"g)
- B Cold water connection-3/4"g (tube 1/2"g)
- C2 Drain dn 40 - hose connection 25mm (at floor)

- D2 Drain dn 40 - hose connection 25mm (at wall)
- G Electrical connection
- O Demineralized water connection-1/2"g

- Q Steam connection 1/2"g (inlet)
- R Steam connection outlet 1/2"g (outlet)

TIVA 15-V

AUTOMATIC SLIDING DOOR/S

UP TO 6 washing levels of total 18 DIN baskets capacity, 430 Liter chamber

The TIVA 15-V washer is equipped with automatic sliding door/s and is best suited for surgical and sterilization departments. It can be loaded with up to 6 washing levels for a total 18 DIN baskets with a large variety of washing trolleys and accessories. Available trolleys for surgical instruments, laparoscopy, containers, mini invasive tools, shoes, anesthesia and more.

TIVA15-1V / TIVA15-2V

430 Liter chamber

Dimensions (WxDxH mm) 1000x900x1900



TIVA15-1V-HS / TIVA15-2V-HS

430 Liter chamber

Dimensions (WxDxH mm) 1000x900x2300



Speed
Cycle

Features

- Manual glass door/s
- Washing chamber made of high quality AISI 316L
- Touch panels with color graphic display
- A total of 40 programs: Preset and programmable
- Air drying prefilter + HEPA H14 filter
- Boiler for purified water (HS version only)
- 2 dosing pumps with flowmeter for acid and alkaline detergents (3 additional pumps optional for lubricant , disinfectant and rinse aid)
- 3 heating elements
- USB/ Printer for data documents
- Built-in steam condenser
- 4 detergents of 5L storage cabinet

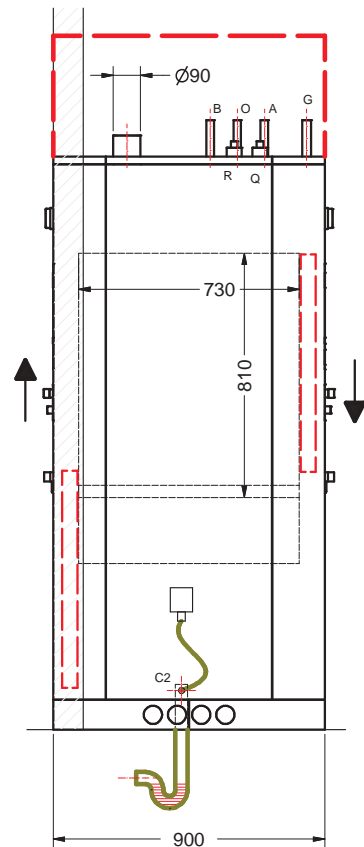
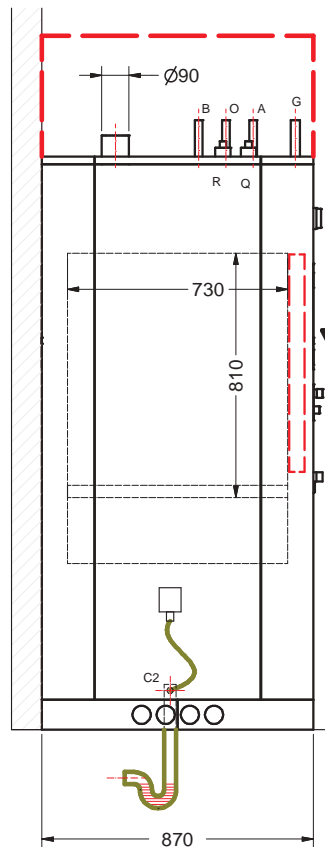
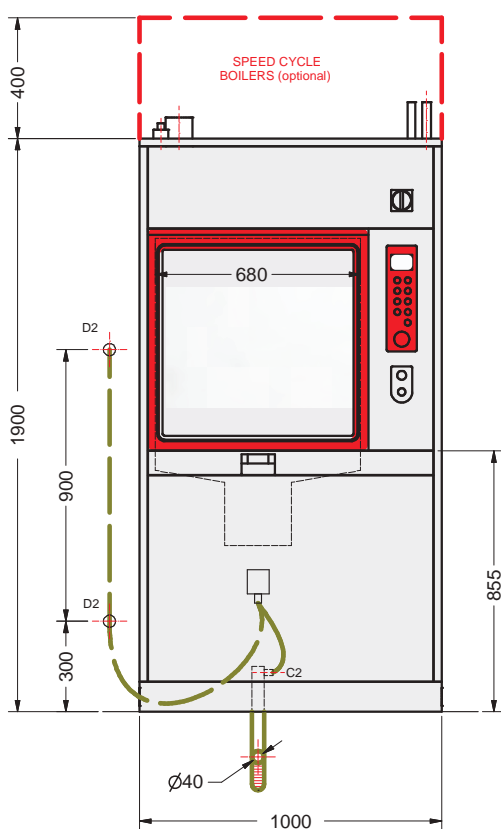
Optional

- Conductivity measurements to check rinse water quality before disinfection phase (if the machine is equipped with demineralized water connections)
- Chamber LED light: Illuminated during loading, unloading and running the program
- Washing trolley recognition
- Spray arm continuous monitoring of its water system to guarantee that the load is currently washed
- Frame closing for pass-through configuration
- Wall drain pump
- Utility steam connection/hybrid heating: Steam and electric
- Water connection for normal version: Cold water softener, purified water
- Water connection for HS version: Cold water softener, 2nd boiler for warm water, 3rd boiler for cold water
- Graphic report of washing phases including time and temperature

Drawings:

TIVA15-1V / TIVA15-2V

TIVA15-1V-HS / TIVA15-2V-HS



- A Hot water connection-3/4" (tube 1/2" g)
- B Cold water connection-3/4" (tube 1/2" g)
- C2 Drain dn 40 - hose connection 25mm (at floor)

- D2 Drain dn 40 - hose connection 25mm (at wall)
- G Electrical connection
- O Demineralized water connection-1/2" g

- Q Steam connection 1/2" g (inlet)
- R Steam connection outlet 1/2" g (outlet)

EXPERIENCE SINCE 1925

As a family owned business Tuttnauer has manufactured products for over 90 years that have developed a reputation for their quality, high performance and reliability, sophisticated features, and ability to satisfy customer expectations. Tuttnauer's sterilization & infection control products are trusted at over 350,000 installations worldwide including Hospitals, Clinics and Laboratories.



EXCEPTIONAL SUPPORT WORLDWIDE

Tuttnauer's multi-cultural team provides expert pre-sales and after-sales support services to satisfy customer expectations. Tuttnauer provides in-depth face-to-face training in many locations around the world to ensure that Tuttnauer technicians and engineers are experts in their ability to support each customer's technical service needs.

At Tuttnauer we highly value customer feedback which contributes to the continuous improvement of our products and support services.

MORE FROM TUTTNAUER

Featuring Tuttnauer's range of cleaning, disinfection and sterilization solutions



T-Max Line
of Large Sterilizers



HSG
Pre & Post Vacuum -
Medium Size Autoclave



Plazmax
Low Temperature
Sterilization



Elara
Class B Tabletop
Autoclaves

Authorised distributor

In Australia:

For customer service, call 1300-735-292
To fax an order, use 1800-067-639
To email an order, ordersau@thermofisher.com

In New Zealand:

For customer service, call 0800-933-966
To fax an order, use 0800-329-246
To email an order, ordersnz@thermofisher.com

ThermoFisher
SCIENTIFIC



Learn from our Experts
Join our blog tuttnauer.com/blog

