

# Thermo Scientific Global Versa GP Pharmaceutical Checkweighers

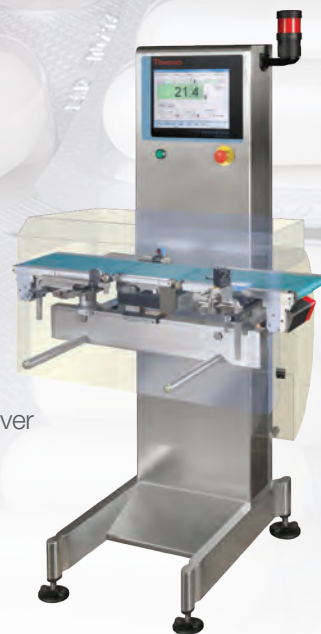
Improve efficiency and profitability without compromising accuracy.

## Features and benefits:

- Easy to use, maintain and clean, maximizing product uptime with minimal support requirements
- High accuracy, +/-0.1g at 2 sigma, protects brand through tight quality control
- Production line rates up to 300 ppm to help meet demanding production volume requirements
- 21 CFR Part 11 and product qualification options ensure regulatory compliance
- Measurement flexibility—sachets, blister packs, cartons, plastic bottles, pouches, small aerosols—and height-adjustable conveyor systems to meet application needs



Height adjustable cantilever conveyor for flexibility



## Reliable performance

The Global Versa GP checkweigher is a general-purpose system designed to provide superior levels of quality control in the pharmaceutical packaging environment. Understanding of the industry's stringent demands has informed the design of a highly reliable, easy-to-use and easy-to-maintain system that complies with Good Manufacturing Practice (GMP) guidelines.

The Global Versa GP Pharma Checkweigher meets the stringent requirements for validation in a pharma production environment and its software complies with 21 CFR Part 11.

Ensuring correct package content is a key measure for product quality and plant efficiency. Capable of weighing packages from 5-1500g on lines with speeds up to 300 ppm, and delivering weighing accuracies up to +/-0.1g, the Global Versa GP can be relied upon to perform.

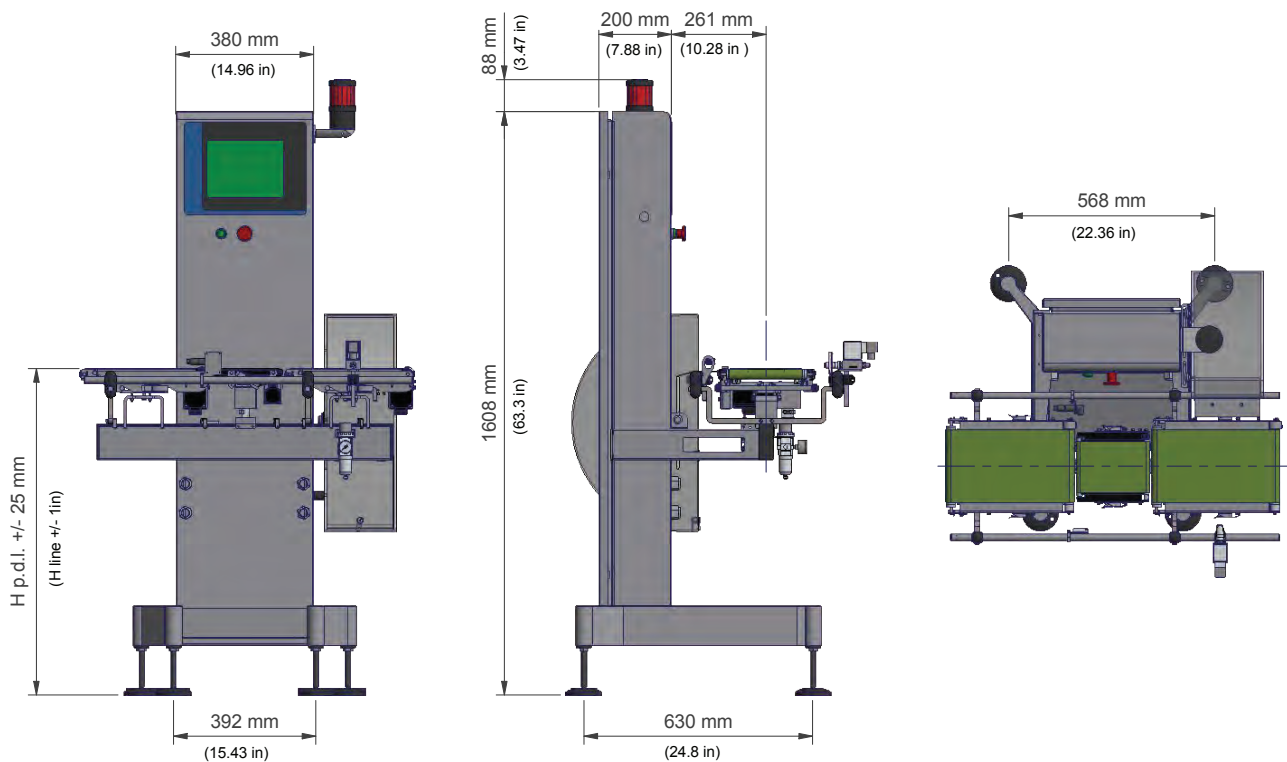
## Production efficiency

With its aluminium powered weigh table; brushless motors for accurate, stable and reliable weighing of packages even at high line speeds; stainless steel frame design with IP65 rating for easy cleaning; and system electronics accessible without interference of product flow, the Global Versa GP checkweigher is ready to help drive production efficiency.

## Thermo Scientific Global Versa GP Pharmaceutical Checkweigher

General specifications	
Production Rate	Up to 300 packages per minute (depending on application)
Accuracy (typical)	Up to +/-0.1 g at 2 sigma (product/speed dependent)
Weight Range	5-1500g
Line Height	630 mm - 1150 mm +/-50mm
Frame Material	Stainless Steel
Ingress Protection	IP65
Electrical Supply	110/120 or 220/240 VAC, 50 or 60 Hz, single phase, 15A max
Air Supply	Air – Dry, 550 - 690 kPa (80 – 1000 psi), 1000 lpm (35 CFM)* *application dependent
Operating Temperature	5° to 40°C (40° to 104°F)
Relative Humidity	20 - 90%, non-condensing

## Thermo Scientific Global Versa GP Pharmaceutical Checkweigher physical dimensions



Find out more at [thermofisher.com/versagppharma](https://thermofisher.com/versagppharma)