

Valve Replacement Procedure **For Thermo Scientific # 111241-00 REVB**

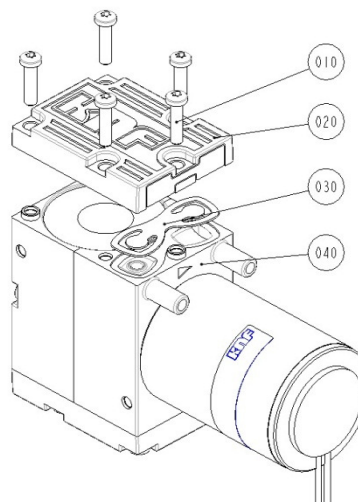
RevB – March 28, 2014

Tools and Materials required:

- Thermo Scientific Pump Rebuild Kit # 113413-00
- Torx head screwdriver, size T6

Seq.	Description
010	Self tap screw
020	Headplate
030	Valveplate
040	Compressor housing

Exploded View of Pump Head:



Disassembly:

Parts removed must be replaced exactly as found. If repairing multiple pumps, take care not to mix parts.

1. Disconnect the pump from electrical power. Make a sketch of the position of any tubes and fittings for ease of re-assembly later.
2. Remove the five screws (010) with the Torx head screw driver, size T6, and remove the headplate (020). Check that all parts are free from dirt and clean as necessary. **DO NOT** scratch the parts.
3. Remove the old valveplate (030) from the Compressor housing (040).
4. Repeat steps 2 and 3 for opposite pump head.

Assembly with new valveplate:

1. Place the new valveplate (030) in the contour on the compressor housing (040). **DO NOT** use tools!
2. Install Headplate (020) on to compressor housing (040)
3. Install the five new screws using a Torx head, size T6, screw driver.
4. Repeat steps 1-3 for opposite head.