

thermoscientific



Beta Attenuation Particulate Monitors Spare Parts Catalog

Spare Parts Catalog

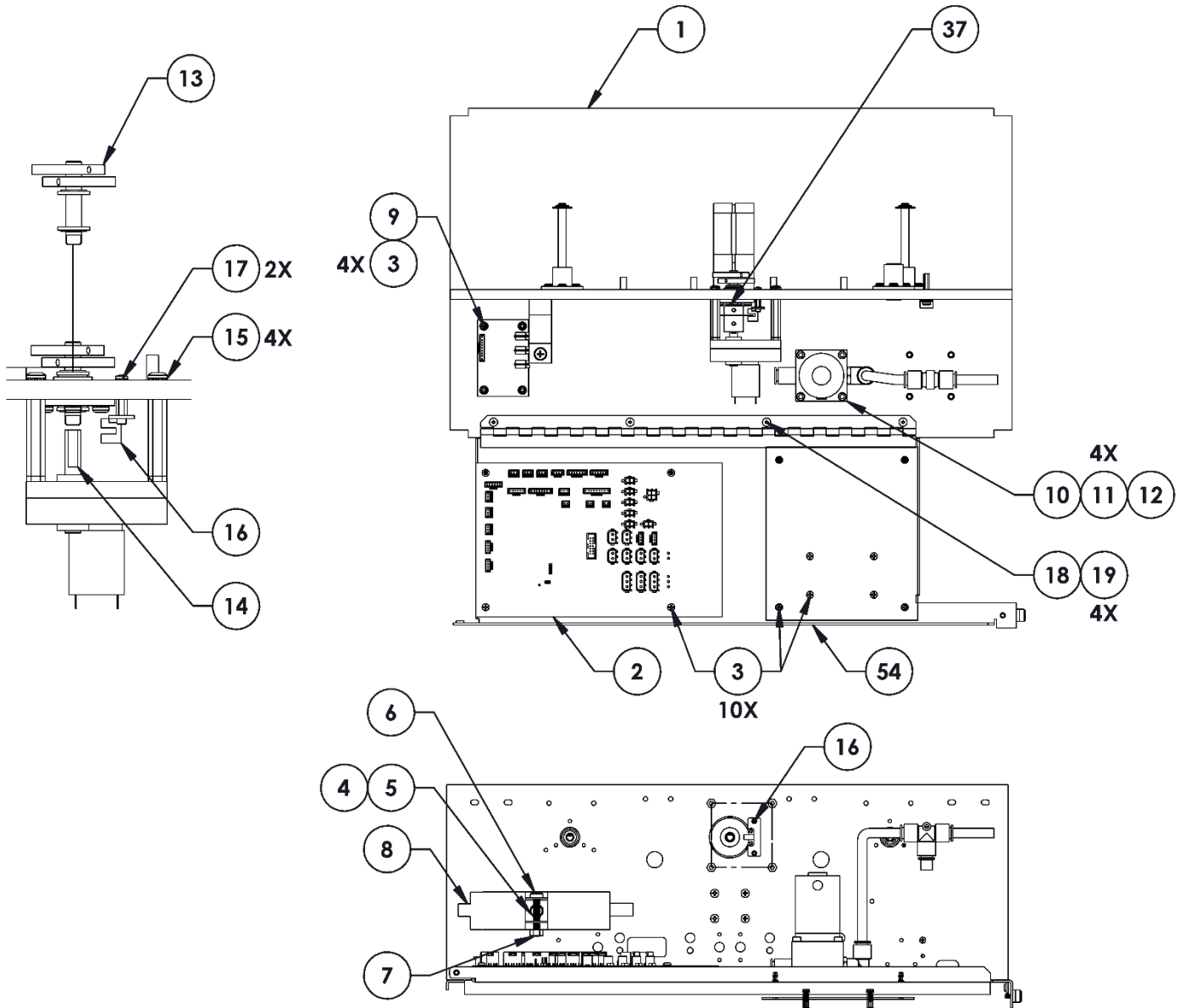
August 2020

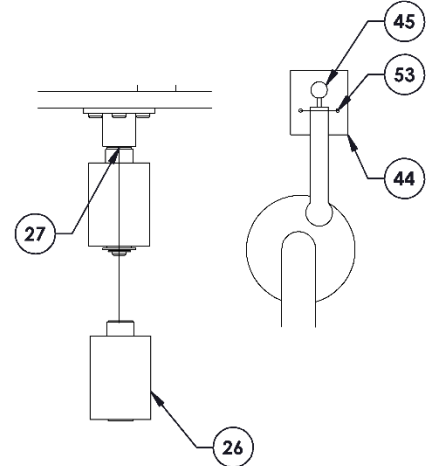
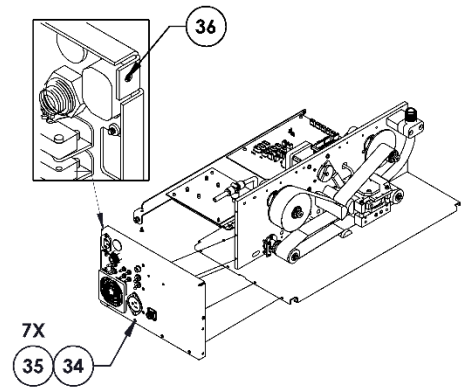
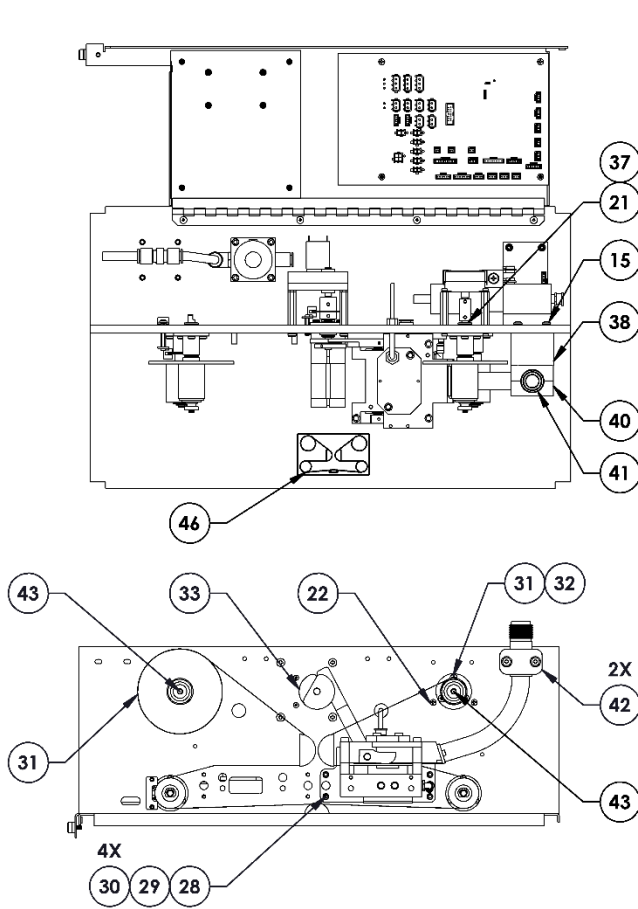
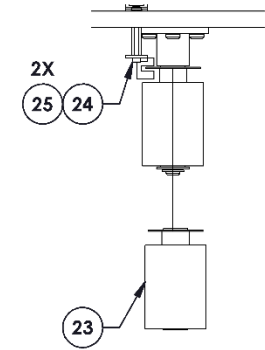
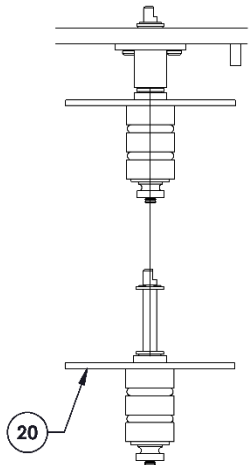
ThermoFisher
SCIENTIFIC

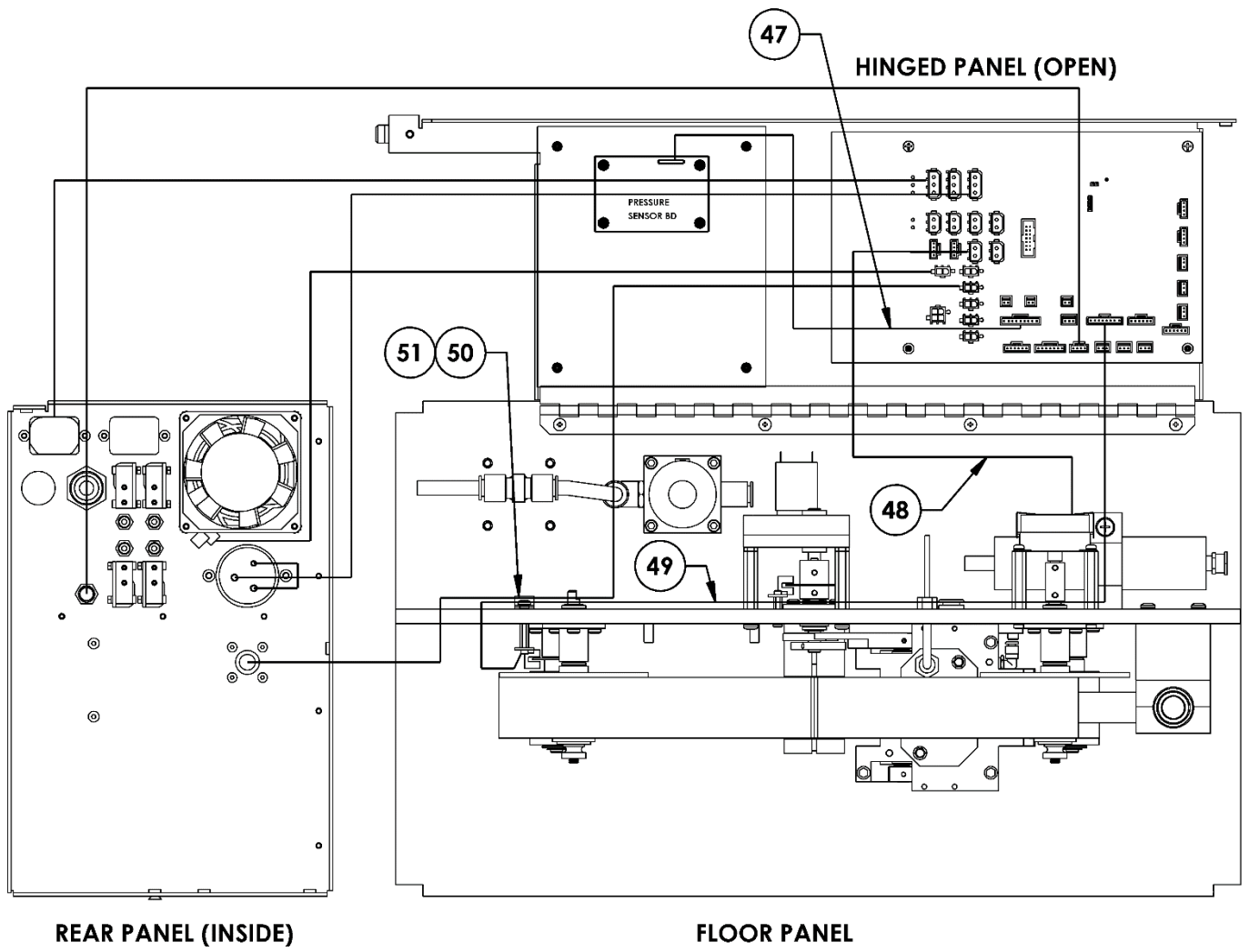
Table of Contents

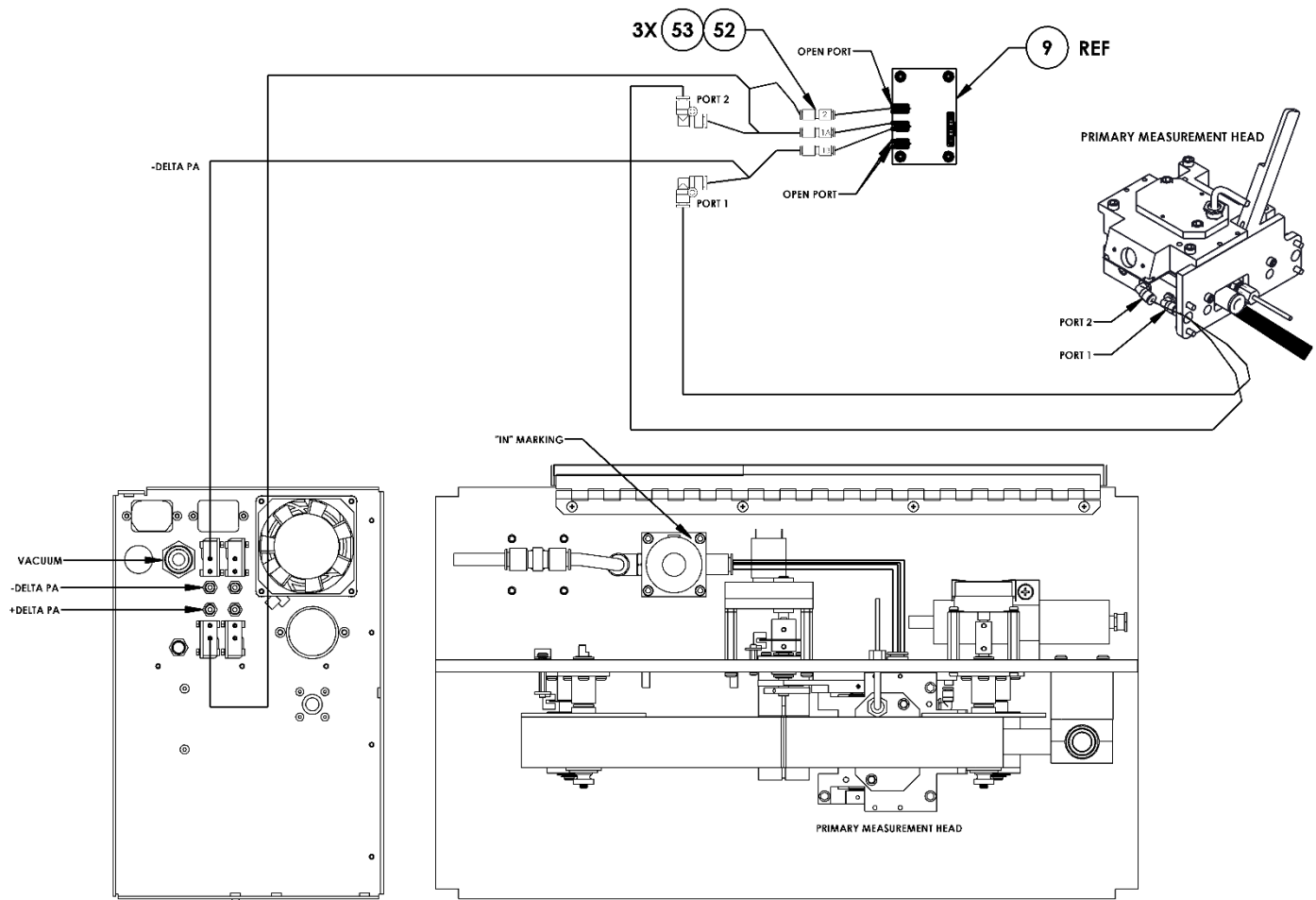
5014i/5030i Measurement Case.....	
Sharp Assy.....	
Heater Tube Assy.....	
Final RH/Temp Assy.....	
Vac/Leak Check Tubing Assy.....	
Zero In Tube Assy.....	
Assy, Final, Valve, 3-way Sol, Ext.....	

5014i/5030i Measurement Case





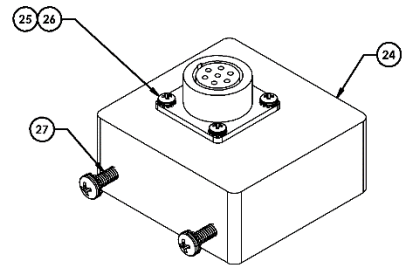
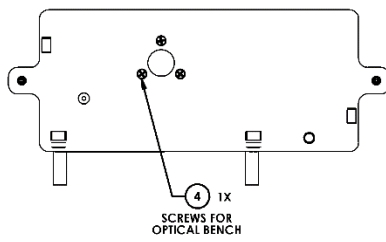
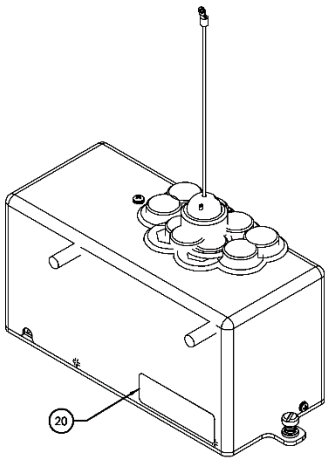
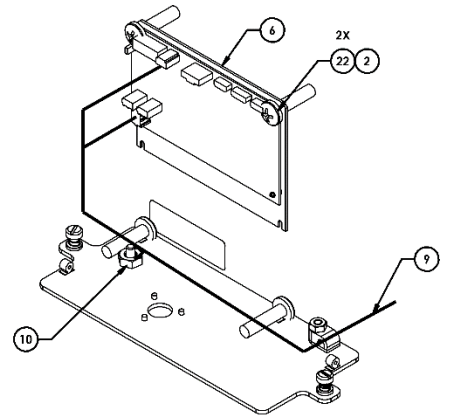
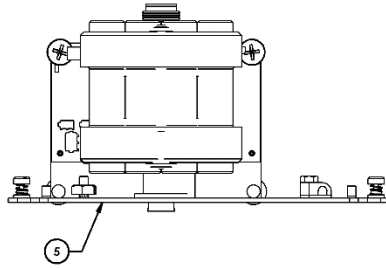
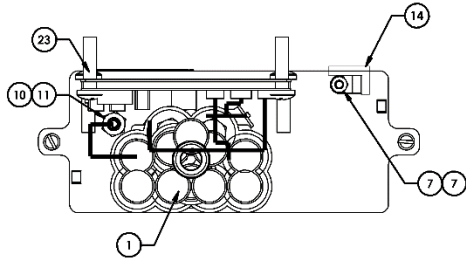
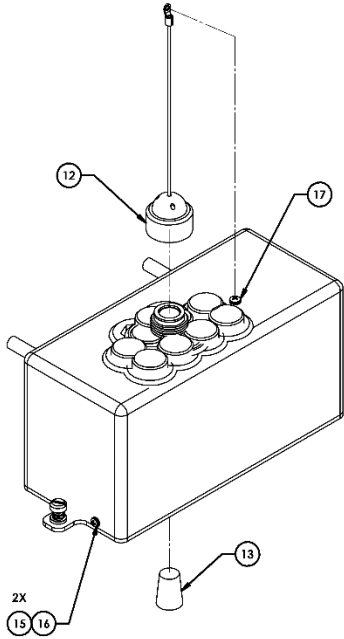




Item	Description	Part No	Qty	Component
1	ASSY, FLOORPLATE	106055-00	1	Not Sellable
2	ASSY, PCB BETA MEAS INTFC BD	104290-00	1	Spare Part
3	SCREW, SS. PAN HD, #6-32X1/4"	101405-00	12	Spare Part
4	HANGER, EASY CLAMP	106440-00	1	Spare Part
5	SCR,PHD,PH,W/EXT TTH#10-32,SS	102181-00	1	Not Sellable
6	SCR,PHIL PAN HD 1/4-20X1-1/2"	106944-00	1	Not Sellable
7	NUT,LOCK,TOOTH WSHR,1/4-20,SS	104456-00	1	Not Sellable
8	DETECTOR AMP	425454008	1	Spare Part
9	ASSY, PRESSURE BD W/PLUMBING	106946-00	1	Spare Part
10	ASSY, FINAL PROP VALVE W/FTG	106470-00	1	Spare Part
11	SCR, 10-32X1.75, SS SOC HD CAP	102022-00	4	Not Sellable
12	WASHER, LOCK, HEAVY, #10, SS	7941	4	Spare Part
13	ASSY, FINAL CAM	106036-00	1	Not Sellable
14	ASSY, CAM MOTOR W/COUPLING	108116-00	1	Not Sellable
15	SCR,PHL PAN HD SEMS 10-32X5/8"	106949-00	6	Not Sellable
16	ASSY, FINAL CAM BD	106431-00	1	Not Sellable

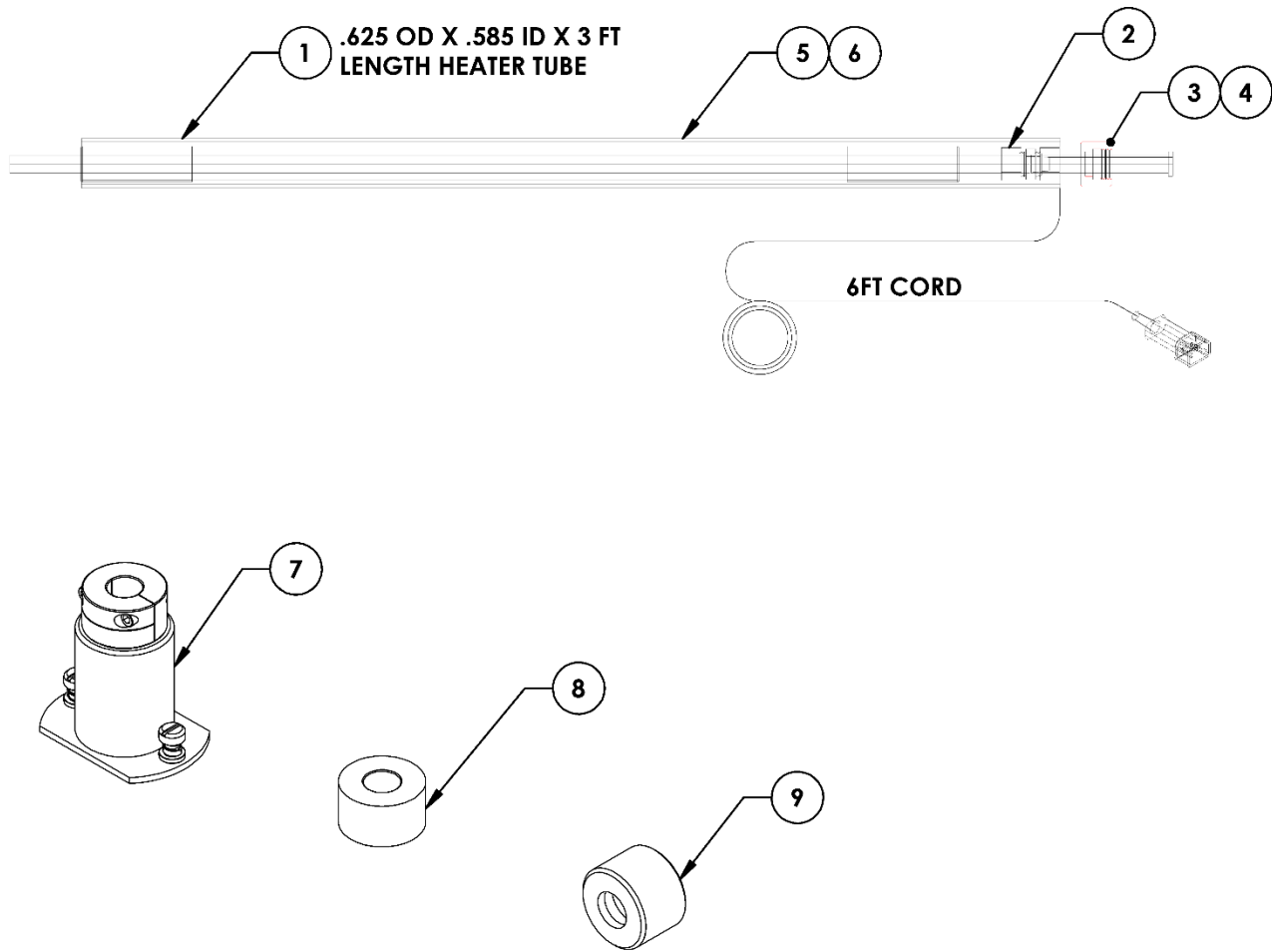
17	SCR, 4-40 X 1/2 PH PAN SEMS	102026-00	2	Not Sellable
18	PANEL,PARTITION,INSTR,WELDMENT	100485-00	1	Spare Part
19	SCR,PHD, PHIL,W/EXT WSHR#8-32	37201	4	Not Sellable
20	ASSY, FINAL SPINDLE ROD	106042-00	2	Not Sellable
21	ASSY, TAPE MOTOR W/COUPLING	108117-00	1	Not Sellable
22	SCR, PHL PAN HD SEMS6-32X5/8"	102192-00	2	Not Sellable
23	COUNTER WHEEL, FINAL ASSY	106043-00	1	Not Sellable
24	ASSY , PCB PHOTO INTFC TO MIB	105938-00	1	Spare Part
25	CAPSCREW 4-40x1/4	7945	2	Not Sellable
26	TAPE WHEEL	106929-00	1	Spare Part
27	WASHER,FLAT,MIL-SPEC,5/16,SS	106978-00	1	Not Sellable
28	ASSY, PRIMARY MEASUREMENT HEAD	105924-00	1	Not Sellable
29	WASHER, SPRING LOCK	106450-00	4	Not Sellable
30	SCREW, SOC HD 8-32 X 1/2	7879	4	Not Sellable
31	GLS FIBER PAPER, 40MM X 17M	106443-00	1	Spare Part
32	SCOTCH TAPE	106979-00	A/R	Not Sellable
33	METAL ASSEMBLY PASTE	106445-00	A/R	Spare Part
34	ASSY, REAR PANEL	106065-00	1	Not Sellable
35	SCR, 6-32 X .25 FLAT HEAD PH	101398-00	7	Not Sellable
36	SCR PHILLIPS, FH, SS 8-32X1/4"	101073-00	1	Not Sellable
37	ADHESIVE ACI	S0106ML	A/R	Not Sellable
39	TUBE, MOUNTING BLOCK	108438-00	1	Spare Part
40	TUBE CLAMP	108439-00	4	Spare Part
41	RADIUS TUBE ADPTR-FACE SEAL	108437-00	1	Spare Part
42	SCR,PNH,PHH,EW,#10-32,1.50,SS	21-005035-0024	2	Not Sellable
43	WASHER,LOCK,EXT TOOTH,1/4,SS	108712-00	1	Not Sellable
44	MNT,CBL TIE,ADH BACK,4 WAY,3/4	13-002165	1	Not Sellable
45	ASSY, 5014i, THERMISTOR	111037-00	1	Spare Part
46	ADHESIVE, STICKER, 5014i	111106-00	1	Not Sellable
47	ASSY, CBL, PRESS XDCCR TO MIB	106027-00	1	Spare Part
48	ASSY, CBL. CAM PHOTO TO MIB	105952-00	1	Spare Part
49	ASSY, CBL, CNTR WHEEL TO MIB	106189-00	1	Spare Part
50	CLAMP, CABLE, 3/8 CLEAR POLY	4167	1	Not Sellable
51	SCR,PHD,w/EXT WSHR,#8-32,3/8SS	37202	1	Spare Part
52	TIE DOWNS	X0179B2	3	Not Sellable
53	TIE, CBL, 2.8L, NYLON, NATURAL	12692	4	Not Sellable
54	PLATE, SENSOR BD. MNT	113665-00	1	Spare Part

Sharp Assy P/N: 108151-00



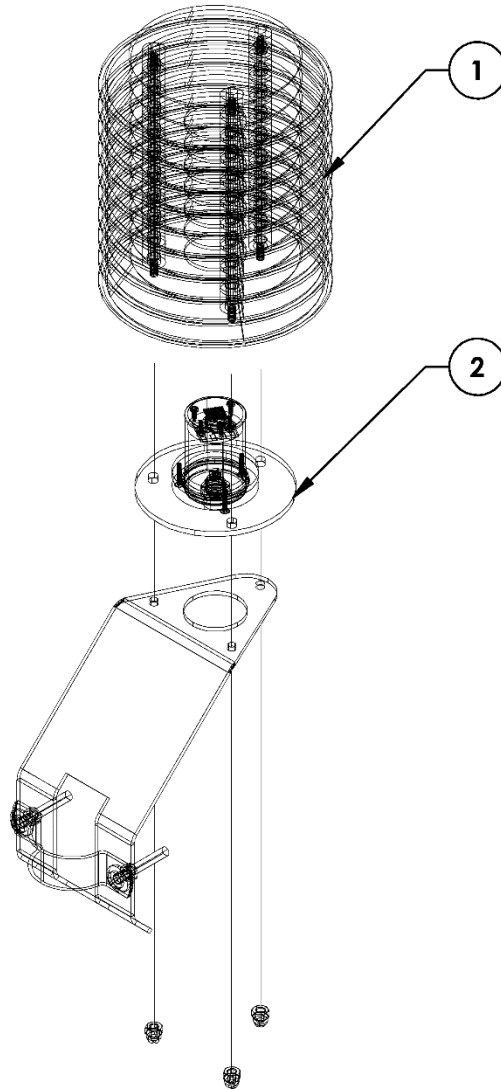
Item	Description	Part No.	Qty	Component
1	ASSY, OPTICAL BENCH	108159-00	1	Not Sellable
2	PCB ASSY, NEPH/MAAP MEAS BD	105968-00	1	Spare Part
4	SCR, 6-32 X .25 FLAT HEAD PH	101398-00	3	Not Sellable
5	ASSY, BASE PLATE	108167-00	1	Not Sellable
6	ASSY, PANEL BOARD	108168-00	1	Not Sellable
7	ELEC RELIEF	109403-00	1	Not Sellable
7	HEX NUT, 1/4-20, SS	11-0102	1	Not Sellable
9	ASSY, CABLE, SHARP CASE	108170-00	1	Not Sellable
10	WASHER, LOCK, EXT TOOTH, #4, SS	21-006268	2	Not Sellable
11	KEP NUT 4-40, 18-8	100435-00	1	Spare Part
12	ASSY, INLET DUST COVER	109489-00	1	Not Sellable
13	PLUG, RUBBER, TAPER	109494-00	1	Not Sellable
14	JIG, ELEC, STRAIN RELIEF	110183-00	A/R	Not Sellable
15	ASSY, FINAL, INSULATION COVER	110489-00	1	Not Sellable
16	SCREW, PNH, PHH, IW, #6-32, 1/4, SS	109488-00	2	Not Sellable
17	SCR, PHD, PHIL, W/EXT WSHR#8-32	37201	1	Not Sellable
20	LBL, POLY, SILVER, 3.0L, 1.0W, 002	31-008420	1	Not Sellable
23	SCREW, SS. PAN HD, #6-32X1/4"	101405-00	4	Spare Part
24	BRACKET, SHARP	110479-00	1	Not Sellable
25	SHARP TO MIC CABLE ASSY	108156-00	1	Spare Part
26	SCREW, PAN HD, EXT SEMS, PHL, 4-40 X 1/4, SS, 18-8	102186-00	4	Not Sellable
27	SCREW, PAN HD, EXT SEMS, PHL, 8-32 X 5/8, SS, 18-8	106937-00	2	Not Sellable

Heater Tube Assy & Heater Adapter CE Kit



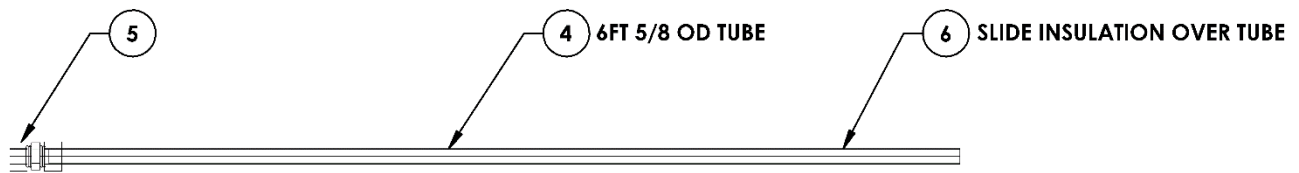
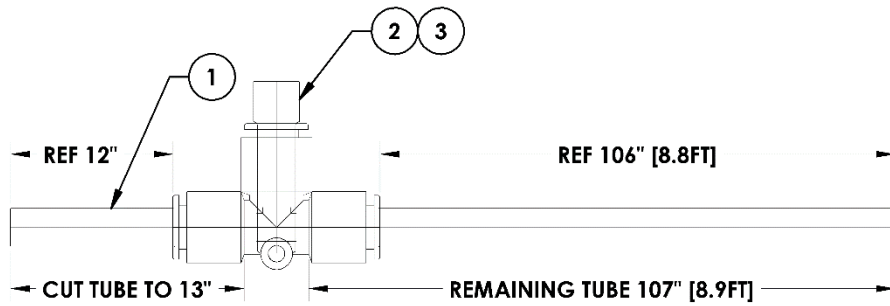
Item	Description	Part No.	QTY	Component
1	ASSY, HOT TUBE	105708-00	1	Spare Part
2	ASSY, FTG, 5/8T OD, PTFE FERRULES	119785-00	1	Not Sellable
3	NUT DRIFT TUBE (FIXING NUT)	FH113	1	Spare Part
4	ADAPTER, HEATER	108211-00	1	Not Sellable
5	INSUL, 3/4 ID X 1/2 WALL, 34.5" LG	107989-00	1	Not Sellable
6	JACKET/HEATER TUBE 35.5" LG	107990-00	1	Not Sellable
7	HEATER ADAPTER COVER FINAL ASSY	110051-00	1	Not Sellable
8	CORE, FERRITE, SOLID, BROADBAND, 16.76MM	110083-00	1	Not Sellable
9	DELIN NUT	110084-00	1	Not Sellable

Final RH/Temp Assy P/N: 106536-00



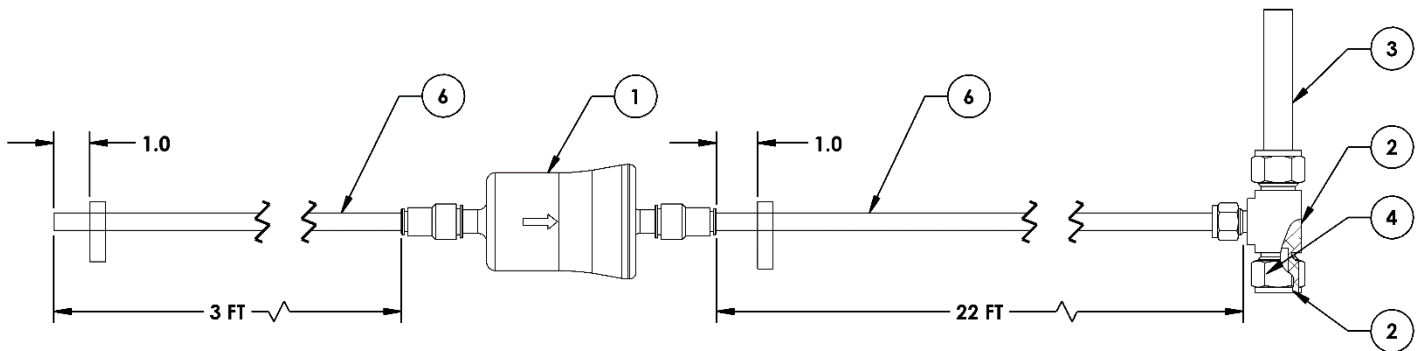
Item	Description	Part No.	Qty	Component
1	TEMP SENSOR PROTECTIVEHOUSING	SM149248350	1	Spare Part
2	ASSY, SUB RH TEMP ELEC	106839-00	1	Not Sellable

Vac/Leak Check Tubing Assy & 6' Extended Tube Assy



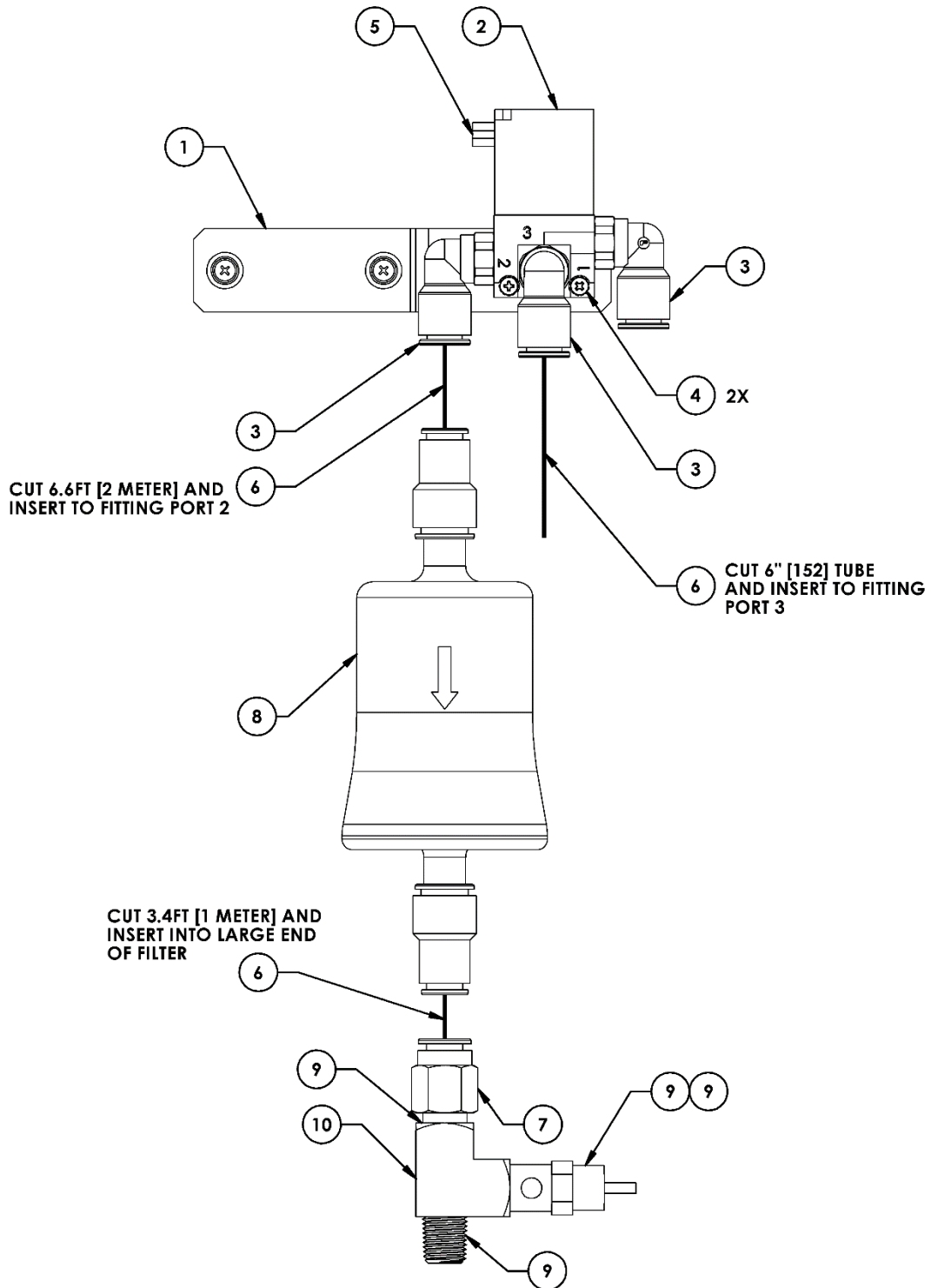
Item	Description	Part No.	Qty	Component
1	TUBING,NYLON,3/8 OD,GREEN	24-000483	10	Spare Part
2	FITTING, 3/8 TEE	106933-00	1	Spare Part
3	FITTING, 3/8 PORT BLOCKER	106934-00	1	Not Sellable
4	FINISHED TUBE, 5/8 OD X .495 ID	109878-00	1	Not Sellable
5	FITTING, UNION 5/8 TUBE W/ PTFE FERRULES	119785-00	1	Not Sellable
6	INSULATION 1/2 id X 1/2 WALL X 70.0" LG	108551-00	1	Spare Part

Zero In Tube Assy P/N: 109408-00



Item	Description	Part No.	Qty	Component
1	ASSY, FLTR, IN-LINE, BYPASS, LG	57-002758	1	Spare Part
2	FTG, TEE, RDC, 5/8T OD, 3/8T OD, SS	110513-00	1	Not Sellable
3	TUBE, 5/8 OD x 4" LG	110516-00	1	Not Sellable
4	FTG, FERRULE, FRONT, 5/8, TEFLON	110514-00	1	Not Sellable
5	FTG, FERRULE, BACK, 5/8, TEFLON	110515-00	1	Not Sellable
6	TUBING, NYLON, 3/8 OD, GREEN	24-000483	25	Spare Part

Assy, Final, Valve, 3-way Sol, Ext P/N: 110481-00



Item	Description	Part No.	Qty	Component
1	BRACKET, SOLENOID MOUNTING	110480-00	1	Spare Part
2	VALVE,3 WAY,INLINE,WIDE TEMP	30-012126	1	Spare Part
3	FTG,ELBOW,3/8T X 1/8NPT PTC	32-008756	3	Spare Part
4	SCR,P/P HD SEMS EX 4-40X5/8"	106977-00	2	Not Sellable
5	ASSY, CBL, EXTERNAL MAC VALVE	110453-00	1	Spare Part
6	TUBING,NYLON,3/8 OD,GREEN	24-000483	10.5	Spare Part
7	FTG, STRAIGHT, 1/4 NPT X 3/8T	106931-00	1	Spare Part
8	ASSY,FLTR, IN-LINE, BYPASS, LG	57-002758	1	Spare Part
9	VALVE, PRESSURE RELIEF, 45 PSI	113807-00	1	Not Sellable
9	TAPE,SEALANT,PIPE THREAD,1/2 W	5767	A/R	Spare Part
10	FTG, PIPE STREET TEE, 1/4 NPT	113808-00	1	Not Sellable

thermoscientific



USA

27 Forge Parkway
Franklin, MA 02038
Ph: (866) 282-0430
Fax: (508) 520-2800
orders.aqi@thermofisher.com

India

C/327, TTC Industrial Area
MIDC Pawane
New Mumbai 400 705, India
Ph: +91 22 4157 8800
india@thermofisher.com

China

8/F Bldg C of Global Trade Ctr,
No.36, North 3rd Ring Road,
Dong Cheng District
Beijing, China 100013
Ph: +86 10 84193588
info.eid.china@thermofisher.com

Europe

Ion Path, Road Three,
Winsford, Cheshire CW73GA UK
Ph: +44 1606 548700
Fax: +44 1606 548711
sales.epm.uk@thermofisher.com

Find out more at thermofisher.com/cleanair

© 2020 Thermo Fisher Scientific Inc. All trademarks are the property of Thermo Fisher Scientific and its subsidiaries unless otherwise specified.

ThermoFisher
SCIENTIFIC