

thermoscientific



Partisol™ Air Samplers Spare Parts Catalog

Spare Parts Catalog

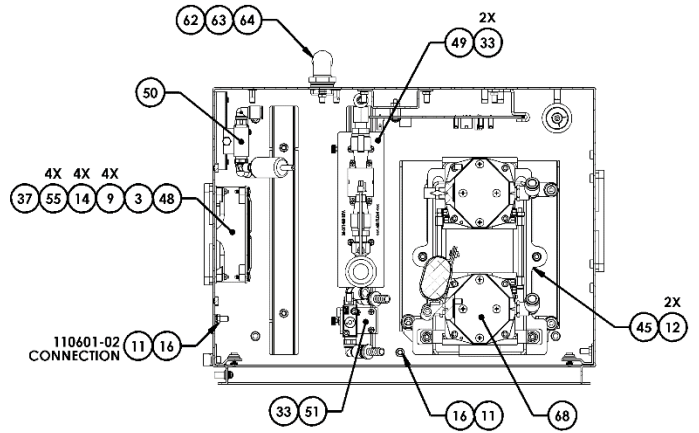
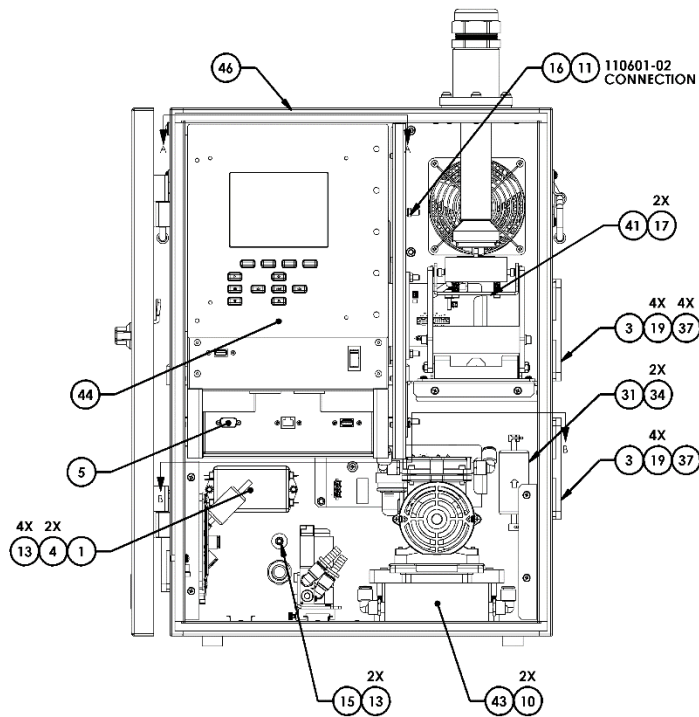
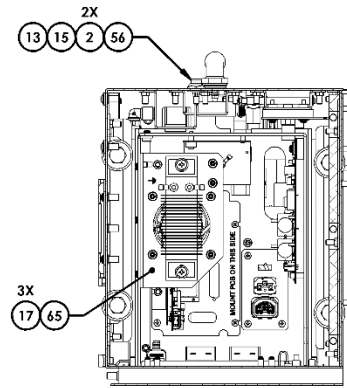
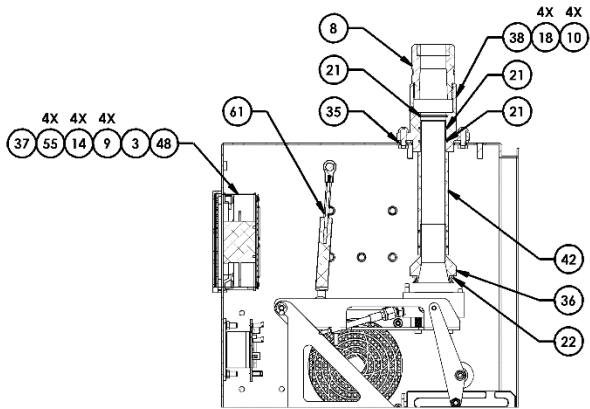
August 2020

ThermoFisher
SCIENTIFIC

Table of Contents

2000i.....
2000iD.....
2025i.....
2025iD.....
Partisol Electronics Compartment.....
2025i Enclosure.....
5 LPM Flow Module.....
20 LPM Flow Module.....
Partisol Pump.....
Partisol Cooling Fan Assy.....
Partisol Heater/Fan Assy.....
3 Port Valve, Pressure/Vacuum.....
3 Port Valve, Leak Check.....
2025i Manifold Valve.....
Partisol Stand.....

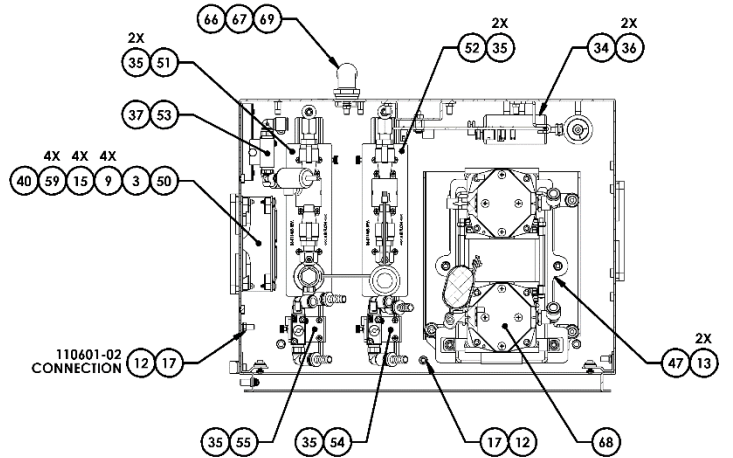
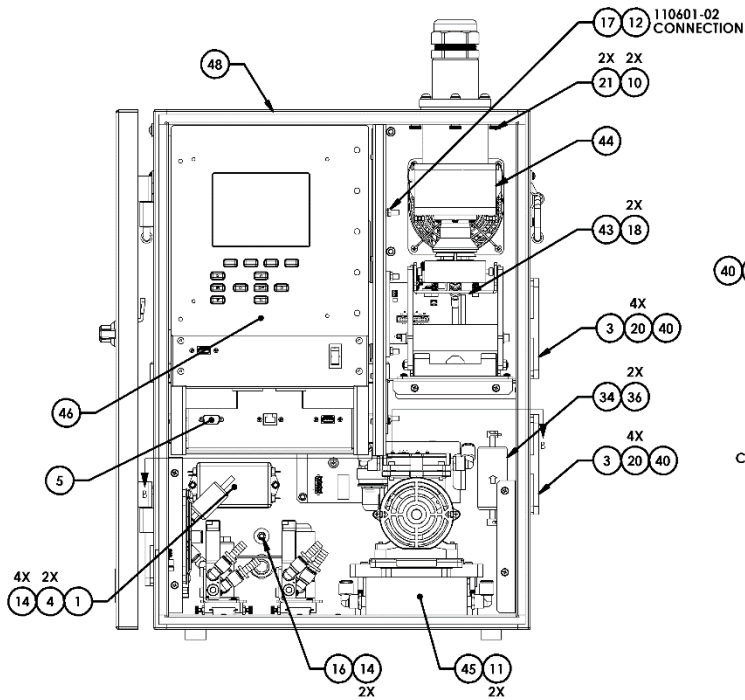
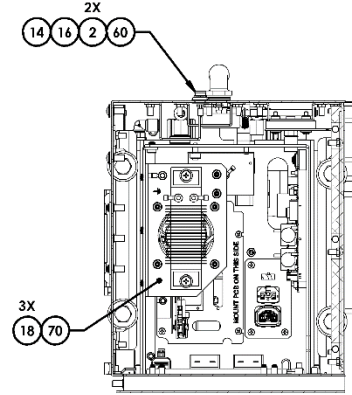
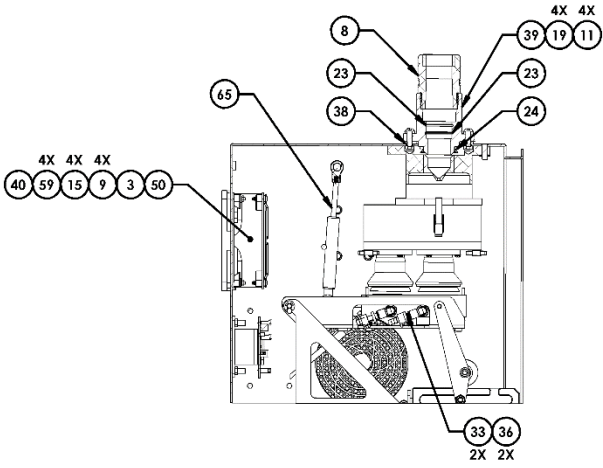
2000i



ITEM	DESCRIPTION	PART NO.	QTY	Component
1	FILTER, LINE, POWER, RFI, 10A	02-004909	1	Spare Part
2	CAP, DUST, CONNECTOR	06-002037	2	Spare Part
3	KIT, FILTER, FAN, PLASTIC	10-002799	4	Spare Part
4	STANDOFF, HEX, F/F, #8-32, 3/8L, 1/4 HEX, BRASS	12-004560-0004	2	Not Sellable
5	COVER, CONNECTOR, D-SUB, 9 PIN	12-006943	1	Not Sellable
6	TUBING, HEAT SHRINK, 1/8, POLYOLEFIN	13-000870-0002	.75"	Spare Part
7	HOLDER, CABLE, TWIST LOCK, .45 BUNDLE DIA	13-002166	3	Not Sellable
8	DOMES, CONNECTOR, LIQTIGHT, 1 1/2 NPT,	13-004300	1	Spare Part
9	WASHER, FLAT, SAE, #6, SS	21-000849	8	Spare Part
10	SCREW, CAP, BUTTON HEAD, FULL THREAD, 1/4-20, 3/4, SS	21-000907-0012	6	Not Sellable
11	WASHER, LOCK, EXTERNAL TOOTH, #10, SS	21-001401	3	Spare Part
12	SCREW, CAP, SOCKET HEAD, PARTIAL THREAD, 1/4-20, 2.00, SS	21-001647-0032	2	Not Sellable
13	WASHER, LOCK, EXTERNAL TOOTH, #8, SS	21-003635	7	Spare Part
14	SCREW, MACHINE, FLAT HEAD, PHILLIPS, FULL THD, #6-32, 1.00, SS	21-004277-0016	8	Not Sellable
15	NUT, LOCK, HEX, TOOTH WASHER, COARSE THREAD, #8-32, SS	21-004544	2	Not Sellable
16	NUT, LOCK, HEX, TOOTH WASHER, FINE THREAD, #10-32, SS	21-004545	3	Spare Part
17	SCREW, PAN HEAD, PHILLIPS, W/EXT WASHER, #8-32, 3/8, SS	21-005034-0006	5	Not Sellable
18	WASHER, SEALING, METAL-BOND, 1/4	21-005903-0408	4	Not Sellable
19	SCREW, MACHINE, FLAT HEAD, PHILLIPS, FULL THD, #8-32, 1/2, SS	21-006054-0008	8	Not Sellable
20	ADHESIVE, THREADLOCK, LOW STRENGTH, PURPLE	22-001606	A/R	Not Sellable
21	O-RING, 1 1/4 ID X 1 3/8 OD 1/16 THK, VITON	22-002853-3026	3	Spare Part
22	SEAL, V-RING, 1.70-1.89 SHAFT OD, SILICONE	22-005958	1	Spare Part
23	TUBING, POLYETHYLENE, 3/8 OD X 1/4 ID, BLACK	24-002603	56"	Spare Part
24	SHIELD, RADIATION, 6 PLATE	30-004215	1	Spare Part
25	LABEL, IDENTIFICATION, CE	31-003528	1	Spare Part
26	LABEL, IDENTIFICATION, WEEE	31-010591	1	Not Sellable
27	LABEL, MODEL IDENTIFIER, 2000i	31-011663	1	Not Sellable
28	LABEL, EPA DESIGNATION, 2000i	31-011834	1	Not Sellable
29	TUBING, HIGH-TEMP, 1/8 ID, 1/4 OD, SILICONE, RED	32-000551-0002	24"	Spare Part
30	TUBING, HIGH-TEMP, 1/4 ID, 1/2 OD, SILICONE, RED	32-000551-0004	34"	Spare Part
31	FILTER, INLINE, DISPOSABLE	32-002643	1	Spare Part
32	CLAMP, HOSE, SPRING, Ø.56, BLACK	32-003477	1	Not Sellable
33	FITTING, ADAPTER, BARB, 5/16T ID, 3/8 STEM, ACETAL	32-004058	3	Spare Part
34	CLAMP, HOSE, SPRING, Ø.50, RED	32-004803	2	Spare Part
35	GASKET, TOP HEAD	33-002237	1	Spare Part
36	UPPER FILTER HOLDER, FRM IMPACTOR/CASSETTE	36-004626	1	Spare Part
37	MESH, FAN FILTER, POLYETHYLENE	36-011233	4	Spare Part
38	INLET, FLANGED, MOUNTING,	36-011612	1	Spare Part
39	ASSY, CABLE, SENSOR, EXTERNAL TEMPERATURE, 2.5 FT	51-004352-0001	1	Spare Part
40	CABLE ASSY, V-LOCK, LINE FILTER - IEC CONN	51-011827	1	Not Sellable
41	ASSY, FILTER EXCHANGE, PARTISOL-FRM, 2000i	54-011627	1	Spare Part
42	ASSY, DOWNTUBE, FRM WINS BYPASS	55-005051	1	Spare Part
43	ASSY, ACCUMULATOR	55-011456	1	Spare Part
44	ELECTRONIC MODULE ASSY,	55-011483	1	Spare Part
45	ASSY, NEST, PUMP	55-011494	1	Not Sellable

46	ASSY, ENCLOSURE, COMMON, 2000i	55-011592	1	Spare Part
47	ASSY, PIN, SHIPPING, ELECTRONICS MOD., PARTISOL	55-012090	1	Not Sellable
48	ASSY, FAN, COOLING, PUMP	56-006527	2	Spare Part
49	ASSY, FLOW MODULE, 20 LPM	56-012100	1	Spare Part
50	ASSY, VALVE, 3 PORT, VENTED, VACUUM	56-012136-0002	1	Spare Part
51	ASSY, VALVE, 3 PORT, LEAK CHECK, PRESSURE	56-012139-0001	1	Spare Part
52	TEST PROCEDURE FOR PARTISOL iSERIES	84-011505	REF	Not Sellable
53	INSTRUCTIONS, WORK, ASSY, TOP LEVEL, 2000i	93-011505	REF	Not Sellable
54	TIE, CABLE, 11.8", NYLON	5389	1	Spare Part
55	NUT, LOCK, TOOTH WASHER, SMALL PATTERN, #6-32, SS	100434-00	8	Not Sellable
56	ASSY, CABLE, WEATHER MONITOR	109805-00	1	Spare Part
57	CABLE ASSY, EE BULKHEAD TO BP PUMP	109806-00	1	Not Sellable
58	ASSY, CABLE, FAN EXTENSION	110594-00	1	Not Sellable
59	SOFTWARE, 2025/2000i&iD	112383-00	1	Not Sellable
60	LABEL, IDENTIFICATION, "15 YEARS"	116976-00	1	Spare Part
61	LIMITER, SPEED, EXTENSION, NONADJUSTABLE, Ø.59, 7.9L	117847-00	1	Not Sellable
62	LOCKNUT, SEALING, 1/2F NPT, STL	118295-00	1	Not Sellable
63	O-RING, SEALING, METAL CLAD, 1/2 NPT HUB SIZE	118303-00	1	Not Sellable
64a	ASSY, CABLE, POWER, MODEL 2025 120v	51-011187-0120	1	Spare Part
64b	ASSY, CABLE, POWER, MODEL 2025 240v	51-011187-0240	1	Spare Part
65a	ASSY, HEATER & FAN, 120 VOLTS AC	55-011578-0120	1	Spare Part
65b	ASSY, HEATER & FAN, 240 VOLTS AC	55-011578-0240	1	Spare Part
66a	LABEL, POWER, PARTISOL, 120V	31-005017-0120	1	Not Sellable
66b	LABEL, POWER, PARTISOL, 240V	31-005017-0240	1	Not Sellable
67a	FUSE, 120v	111373-00	2	Spare Part
67b	FUSE, 240v	4523	2	Spare Part
68a	ASSY, PUMP, VACUUM 120v	55-012135-0001	1	Spare Part
68b	ASSY, PUMP, VACUUM 120v	55-012135-0002	1	Spare Part

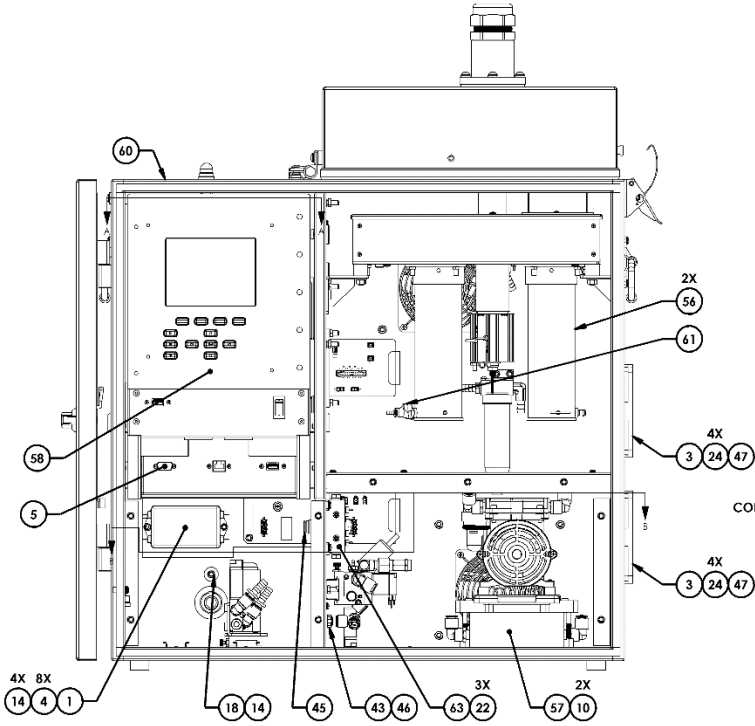
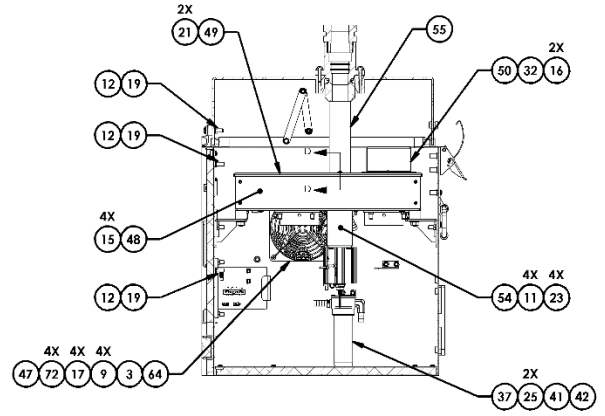
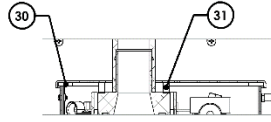
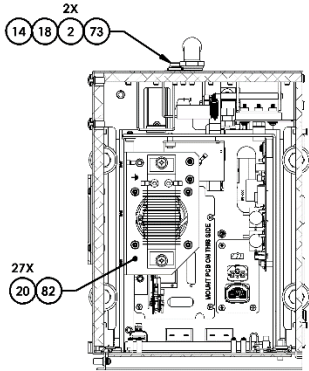
2000iD



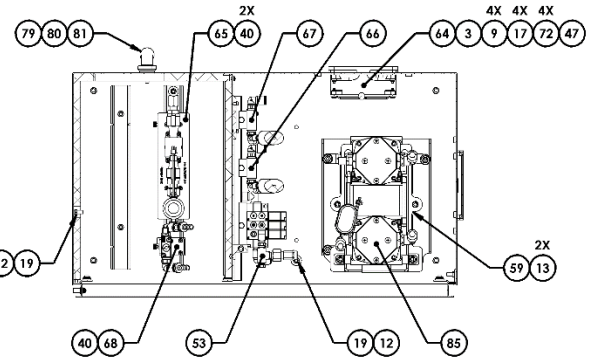
ITEM	DESCRIPTION	PART NO.	QTY	Component
1	FILTER, LINE, POWER, RFI, 10A	02-004909	1	Spare Part
2	CAP, DUST, CONNECTOR	06-002037	2	Spare Part
3	KIT, FILTER, FAN, PLASTIC	10-002799	4	Spare Part
4	STANDOFF, HEX, F/F, #8-32, 3/8L, 1/4 HEX, BRASS	12-004560-0004	2	Not Sellable
5	COVER, CONNECTOR, D-SUB, 9 PIN	12-006943	1	Not Sellable
6	TUBING, HEAT SHRINK, 1/8, POLYOLEFIN	13-000870-0002	.75"	Spare Part
7	HOLDER, CABLE, TWIST LOCK, .45 BUNDLE DIA	13-002166	3	Not Sellable
8	DOMES, CONNECTOR, LIQTIGHT, 1 1/2 NPT,	13-004300	1	Spare Part
9	WASHER, FLAT, SAE, #6, SS	21-000849	8	Spare Part
10	WASHER, LOCK, EXTERNAL TOOTH, 1/4, SS	21-001276	3	Not Sellable
11	SCREW, CAP, BUTTON HEAD, FULL THREAD, 1/4-20, 3/4, SS	21-000907-0012	6	Not Sellable
12	WASHER, LOCK, EXTERNAL TOOTH, #10, SS	21-001401	3	Spare Part
13	SCREW, CAP, SOCKET HEAD, PARTIAL THREAD, 1/4-20, 2.00, SS	21-001647-0032	2	Not Sellable
14	WASHER, LOCK, EXTERNAL TOOTH, #8, SS	21-003635	7	Spare Part
15	SCREW, MACHINE, FLAT HEAD, PHILLIPS, FULL THD, #6-32, 1.00, SS	21-004277-0016	8	Not Sellable
16	NUT, LOCK, HEX, TOOTH WASHER, COARSE THREAD, #8-32, SS	21-004544	2	Not Sellable
17	NUT, LOCK, HEX, TOOTH WASHER, FINE THREAD, #10-32, SS	21-004545	3	Spare Part
18	SCREW, PAN HEAD, PHILLIPS, W/EXT WASHER, #8-32, 3/8, SS	21-005034-0006	5	Not Sellable
19	WASHER, SEALING, METAL-BOND, 1/4	21-005903-0408	4	Not Sellable
20	SCREW, MACHINE, FLAT HEAD, PHILLIPS, FULL THD, #8-32, 1/2, SS	21-006054-0008	8	Not Sellable
21	NUT, THUMB, 1/4-20, 9/16 OD, SS	21-008103	3	Not Sellable
22	ADHESIVE, THREADLOCK, LOW STRENGTH, PURPLE	22-001606	A/R	Not Sellable
23	O-RING, 1 1/4 ID X 1 3/8 OD 1/16 THK, VITON	22-002853-3026	2	Spare Part
24	SEAL, V-RING, 1.50-1.70 SHAFT OD, SILICONE	22-005957	1	Spare Part
25	TUBING, POLYETHYLENE, 3/8 OD X 1/4 ID, BLACK	24-002603	72"	Spare Part
26	SHIELD, RADIATION, 6 PLATE	30-004215	1	Spare Part
27	LABEL, IDENTIFICATION, CE	31-003528	1	Spare Part
28	LABEL, IDENTIFICATION, WEEE	31-010591	1	Not Sellable
29	LABEL, MODEL IDENTIFIER, PARTISOL 2000iD	31-011664	1	Not Sellable
30	LABEL, EPA DESIGNATION, 2000iD	31-011835	1	Not Sellable
31	TUBING, HIGH-TEMP, 1/8 ID, 1/4 OD, SILICONE, RED	32-000551-0002	48"	Spare Part
32	TUBING, HIGH-TEMP, 1/4 ID, 1/2 OD, SILICONE, RED	32-000551-0004	73"	Spare Part
33	FITTING, ADAPTER, BARB, 1/4T ID, 1/4 STEM, ACETAL	32-001022	2	Not Sellable
34	FILTER, INLINE, DISPOSABLE	32-002643	2	Spare Part
35	FITTING, ADAPTER, BARB, 5/16T ID, 3/8 STEM, ACETAL	32-004058	6	Spare Part
36	CLAMP, HOSE, SPRING, Ø.50, RED	32-004803	6	Spare Part
37	FITTING, UNION, Y, 3/8 PTC X 3/8 STEM, PLASTIC	32-011649	1	Not Sellable
38	GASKET, TOP HEAD	33-002237	1	Spare Part
39	INLET, TOP	36-004427	1	Spare Part
40	MESH, FAN FILTER, POLYETHYLENE	36-011233	4	Spare Part
41	ASSY, CABLE, SENSOR, EXTERNAL TEMPERATURE, 2.5 FT	51-004352-0001	1	Spare Part
42	CABLE ASSY, V-LOCK, LINE FILTER - IEC CONN	51-011827	1	Not Sellable
43	ASSY, FILTER EXCHANGE, PARTISOL, 2000iD	54-011629	1	Spare Part
44	ASSY, SPLITTER, SCD	55-010275	1	Spare Part
45	ASSY, ACCUMULATOR	55-011456	1	Spare Part

46	ELECTRONIC MODULE ASSY,	55-011483	1	Spare Part
47	ASSY, NEST, PUMP	55-011494	1	Not Sellable
48	ASSY, ENCLOSURE, COMMON, 2000i	55-011592	1	Spare Part
49	ASSY, PIN, SHIPPING, ELECTRONICS MOD., PARTISOL	55-012090	1	Not Sellable
50	ASSY, FAN, COOLING, PUMP	56-006527	2	Spare Part
51	ASSY, FLOW MODULE, 5 LPM	56-012099	1	Spare Part
52	ASSY, FLOW MODULE, 20 LPM	56-012100	1	Spare Part
53	ASSY, VALVE, 3 PORT, VENTED, VACUUM	56-012136-0002	1	Spare Part
54	ASSY, VALVE, 3 PORT, LEAK CHECK, PRESSURE	56-012139-0001	1	Spare Part
55	ASSY, VALVE, 3 PORT, LEAK CHECK, VACUUM	56-012139-0002	1	Spare Part
56	TEST PROCEDURE FOR PARTISOL iSERIES	xxx	REF	Not Sellable
57	INSTRUCTIONS, WORK, ASSY, PARTISOL, 2000iD, 120V/240V	xxx	REF	Not Sellable
58	TIE, CABLE, 11.8", NYLON	5389	1	Spare Part
59	NUT, LOCK, TOOTH WASHER, SMALL PATTERN, #6-32, SS	100434-00	8	Not Sellable
60	ASSY, CABLE, WEATHER MONITOR	109805-00	1	Spare Part
61	CABLE ASSY, EE BULKHEAD TO BP PUMP	109806-00	1	Not Sellable
62	ASSY, CABLE, FAN EXTENSION	110594-00	1	Not Sellable
63	SOFTWARE, 2025/2000i&iD	112383-00	1	Not Sellable
64	LABEL, IDENTIFICATION, "15 YEARS"	116976-00	1	Spare Part
65	LIMITER, SPEED, EXTENSION, NONADJUSTABLE, Ø.59, 7.9L	117847-00	1	Not Sellable
66	LOCKNUT, SEALING, 1/2F NPT, STL	118295-00	1	Not Sellable
67	O-RING, SEALING, METAL CLAD, 1/2 NPT HUB SIZE	118303-00	1	Not Sellable
68a	ASSY, PUMP, VACUUM 120v	55-012135-0001	1	Spare Part
68b	ASSY, PUMP, VACUUM 240v	55-012135-0002		Spare Part
69a	ASSY, CABLE, POWER, MODEL 2025 120v	51-011187-0120	1	Spare Part
69b	ASSY, CABLE, POWER, MODEL 2025 240v	51-011187-0240	1	Spare Part
70a	ASSY, HEATER & FAN, 120 VOLTS AC	55-011578-0120	1	Spare Part
70b	ASSY, HEATER & FAN, 240 VOLTS AC	55-011578-0240	1	Spare Part
71a	LABEL, POWER, PARTISOL, 120V	31-005017-0120	1	Not Sellable
71b	LABEL, POWER, PARTISOL, 240V	31-005017-0240	1	Not Sellable
72a	FUSE, 120v	111373-00	2	Spare Part
72b	FUSE, 240v	4523	2	Spare Part

2025i



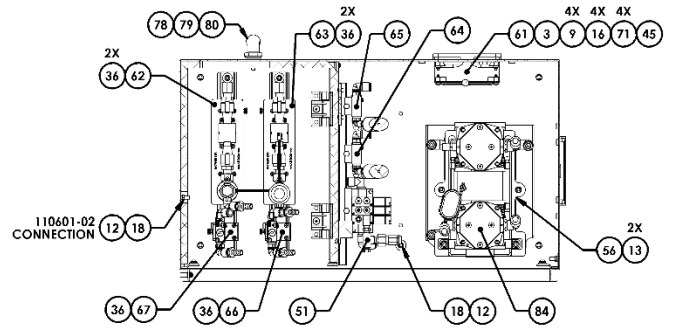
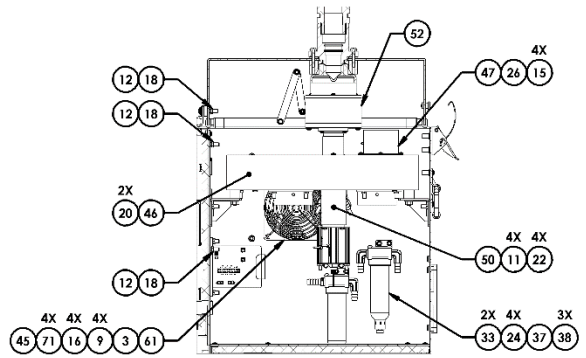
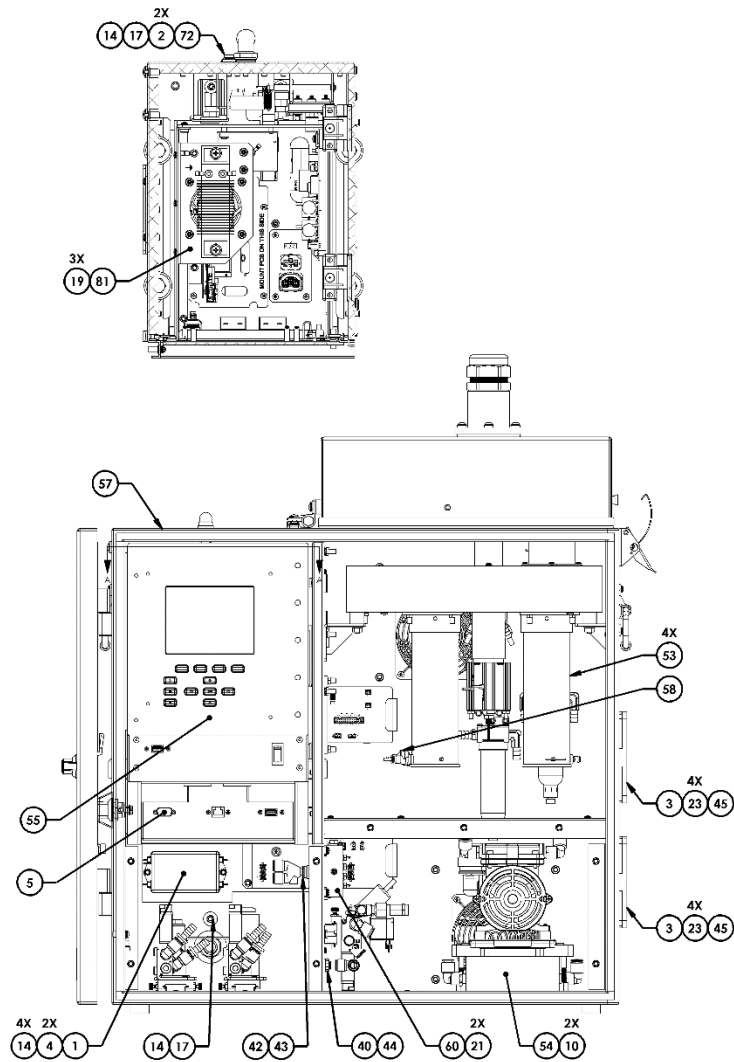
110601-02
CONNECTION



ITEM	DESCRIPTION	PART NO.	QTY	Component
1	FILTER, LINE, POWER, RFI, 10A	02-004909	1	Spare Part
2	CAP, DUST, CONNECTOR	06-002037	2	Spare Part
3	KIT, FILTER, FAN, PLASTIC	10-002799	4	Spare Part
4	STANDOFF, HEX, F/F, #8-32, 1/4L, 1/4 HEX, BRASS	12-004560-0004	2	Not Sellable
5	COVER, CONNECTOR, D-SUB, 9 PIN	12-006943	1	Not Sellable
6	TUBING, HEAT SHRINK, 1/8, POLYOLEFIN	13-000870-0002	1	Spare Part
7	CLIP, RETAINER, SOCKET, 26 POSITION	13-000894-0026	1	Not Sellable
8	HOLDER, CABLE, TWIST LOCK, .45 BUNDLE DIA	13-002166	3	Not Sellable
9	WASHER, FLAT, SAE, #6, SS	21-000849	8	Spare Part
10	SCREW, CAP, BUTTON HEAD, 1/4-20, 3/4, SS	21-000907-0012	2	Not Sellable
11	WASHER, FLAT, GENERIC, NARROW, 1/4, SS	21-001275	4	Spare Part
12	WASHER, LOCK, EXTERNAL TOOTH, #10, SS	21-001401	5	Spare Part
13	SCREW, CAP, SOCKET HEAD, PARTIAL THREAD, 1/4-20, 2.00, SS	21-001647-0032	2	Not Sellable
14	WASHER, LOCK, EXTERNAL TOOTH, #8, SS	21-003635	6	Spare Part
15	SCREW, MACHINE, PAN HEAD, PHILLIPS, #4-40, 1/4, SS	21-003720-0004	4	Not Sellable
16	SCREW, MACHINE, PAN HEAD, PHILLIPS, #6-32, 1/4, SS	21-003721-0004	2	Spare Part
17	SCREW, MACHINE, FLAT HEAD, PHILLIPS, FULL THD, #6-32, 1.00, SS	21-004277-0016	8	Not Sellable
18	NUT, LOCK, HEX, TOOTH WASHER, COARSE THREAD, #8-32, SS	21-004544	2	Not Sellable
19	NUT, LOCK, HEX, TOOTH WASHER, FINE THREAD, #10-32, SS	21-004545	5	Spare Part
20	SCREW, PAN HEAD, PHILLIPS, W/EXT WASHER, #8-32, 3/8, SS	21-005034-0006	3	Not Sellable
21	SCREW, MACHINE, PAN HEAD, W/EXT, #8-32, 3/4, SS	21-005034-0012	2	Not Sellable
22	SCREW, PAN HEAD, PHILLIPS, W/EXT WASHER, #10-32, 1/2, SS	21-005035-0008	2	Spare Part
23	NUT, LOCK, HEX, TOOTH WASHER, COARSE THREAD, 1/4-20, SS	21-006052	4	Not Sellable
24	SCREW, MACHINE, FLAT HEAD, PHILLIPS, FULL THD, #8-32, 1/2, SS	21-006054-0008	8	Not Sellable
25	SCREW, SELFTAP, PAN HEAD, PHILLIPS, #8, TYPE B, .375, SS	21-006431-0006	2	Not Sellable
26	ADHESIVE, THREADLOCK, LOW STRENGTH, PURPLE	22-001606	A/R	Not Sellable
27	TUBING, POLYURETHANE, CLEAR, 1/8 ID, 1/4 OD	23-003017	15"	Not Sellable
28	TUBING, POLYETHYLENE, 3/8 OD X 1/4 ID, BLACK	24-002603	78"	Spare Part
29	SHIELD, RADIATION, 6 PLATE	30-004215	1	Spare Part
30	GASKET, 1/2 WIDE X 1/8 THICK, SPONGE RUBBER W/PSA	30-006966	40"	Not Sellable
31	GASKET, FOAM, 2.06 ID, 2.50 OD, 3/8 THICK	30-007726	1	Not Sellable
32	GASKET, ADHESIVE-BACK, 1/2 WD, 1/32 THK, SILICONE	30-008371	13"	Spare Part
33	LABEL, IDENTIFICATION, CE	31-003528	1	Spare Part
34	LABEL, IDENTIFICATION, WEEE	31-010591	1	Not Sellable
35	LABEL, MODEL IDENTIFIER, 2025i	31-011665	1	Not Sellable
36	LABEL, EPA DESIGNATION, 2025i	31-011836	1	Not Sellable
37	FILTER, PARTICULATE, MINIATURE, 1/4F NPT	32-000403	1	Spare Part
38	TUBING, HIGH-TEMP, 1/8 ID, 1/4 OD, SILICONE, RED	32-000551-0002	24"	Spare Part
39	TUBING, HIGH-TEMP, 5/16 ID, 9/16 OD, SILICONE, RED	32-000551-0005	60"	Spare Part
40	FITTING, ADAPTER, BARB, 5/16T ID, 3/8 STEM, ACETAL	32-004058	3	Spare Part
41	FITTING, ADAPTER, BARB, 3/8T ID, 1/4M NPTF, BRASS	32-005181	1	Not Sellable
42	FITTING, ELBOW, BARB, 3/8T ID, 1/4M NPTF, BRASS	32-005189	1	Not Sellable
43	FITTING, UNION BULKHEAD, 1/4 PTC, PLASTIC	32-008550	1	Not Sellable
44	TUBING, POLYURATHANE, 5/32 ID, 1/4 OD, BLACK	32-010737-OBLK	30"	Spare Part
45	FITTING, UNION BULKHEAD, 3/8 PTC, PLASTIC	32-011652	1	Not Sellable

46	FITTING, TEE, REDUCING, 3/8T OD, 1/4T OD, 3/8T OD	32-011672	1	Not Sellable
47	MESH, FAN FILTER, POLYETHYLENE	36-011233	4	Spare Part
48	PANEL, COVER, TRACK,	38-006087	1	Not Sellable
49	COVER, TOP, ONE PIECE TRACK, 2025	38-006089	1	Spare Part
50	COVER, EXIT CYLINDER, ONE PIECE TRACK	38-006198	1	Spare Part
51	ASSY, CABLE, SENSOR, EXTERNAL TEMPERATURE, 2.5 FT	51-004352-0001	1	Spare Part
52	CABLE ASSY, V-LOCK, LINE FILTER - IEC CONN	51-011827	1	Not Sellable
53	ASSY, MANIFOLD, VALVE, 2025i	54-012098	1	Spare Part
54	ASSY, FILTER SHUTTLE MECHANISM, SINGLE	54-012302	1	Spare Part
55	ASSY, DOWNTUBE, 2025 WINS BYPASS	55-005052	1	Spare Part
56	ASSY, MAGAZINE,	55-005569	2	Spare Part
57	ASSY, ACCUMULATOR	55-011456	1	Spare Part
58	ELECTRONIC MODULE ASSY,	55-011483	1	Spare Part
59	ASSY, NEST, PUMP	55-011494	1	Not Sellable
60	ASSY, ENCLOSURE, COMMON, 2025i	55-011558	1	Spare Part
61	ASSY, WHITE TUBE, 2025i	55-011653	1	Not Sellable
62	ASSY, PIN, SHIPPING, ELECTRONICS MOD., PARTISOL	55-012090	1	Not Sellable
63	ASSY, MANIFOLD, 2025i	55-012260	1	Spare Part
64	ASSY, FAN, COOLING, PUMP	56-006527	2	Spare Part
65	ASSY, FLOW MODULE, 20 LPM	56-012100	1	Spare Part
66	ASSY, VALVE, 3 PORT, VENTED, PRESSURE	56-012136-0001	1	Spare Part
67	ASSY, VALVE, 3 PORT, VENTED, VACUUM	56-012136-0002	1	Spare Part
68	ASSY, VALVE, 3 PORT, LEAK CHECK, PRESSURE	56-012139-0001	1	Spare Part
69	ASSY, FILTER CASSETTE,	59-004648-0010	1	Spare Part
70	TEST PROCEDURE FOR PARTISOL I SERIES	84-011505	REF	Not Sellable
71	INSTRUCTIONS, WORK, ASSY, PARTISOL, 2025i, 120V/240V	93-011507	REF	Not Sellable
72	NUT, LOCK, TOOTH WASHER, SMALL PATTERN, #6-32, SS	100434-00	8	Not Sellable
73	ASSY, CABLE, WEATHER MONITOR	109805-00	1	Spare Part
74	CABLE ASSY, EE BULKHEAD TO BP PUMP	109806-00	1	Not Sellable
75	CABLE ASSY, STATUS LAMP	109808-00	1	Not Sellable
76	CABLE ASSY, GROUND 8", #10 TERMINALS	110601-01	1	Not Sellable
77	SOFTWARE, 2025/2000i&iD	112383-00	1	Not Sellable
78	LABEL, IDENTIFICATION, "15 YEARS"	116976-00	1	Spare Part
79	LOCKNUT, SEALING, 1/2F NPT, STL	118295-00	1	Not Sellable
80	O-RING, SEALING, METAL CLAD, 1/2 NPT HUB SIZE	118303-00	1	Not Sellable
81a	ASSY, CABLE, POWER, MODEL 2025 120v	51-011187-0120	1	Spare Part
81b	ASSY, CABLE, POWER, MODEL 2025 240v	51-011187-0240	1	Spare Part
82a	ASSY, HEATER & FAN, 120 VOLTS AC	55-011578-0120	1	Spare Part
82b	ASSY, HEATER & FAN, 240 VOLTS AC	55-011578-0240	1	Spare Part
83a	LABEL, POWER, PARTISOL, 120V	31-005017-0120	1	Not Sellable
83b	LABEL, POWER, PARTISOL, 240V	31-005017-0240	1	Not Sellable
84a	FUSE, 120v	111373-00	2	Spare Part
84b	FUSE, 240v	4523	2	Spare Part
85a	ASSY, PUMP, VACUUM 120v	55-012135-0001	1	Spare Part
85b	ASSY, PUMP, VACUUM 120v	55-012135-0002	1	Spare Part

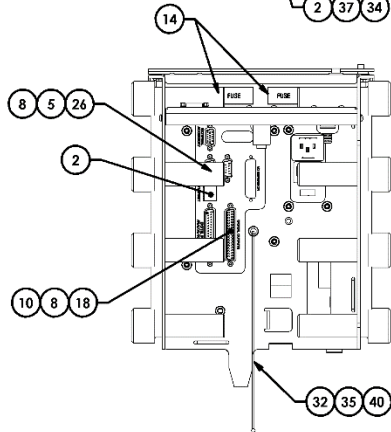
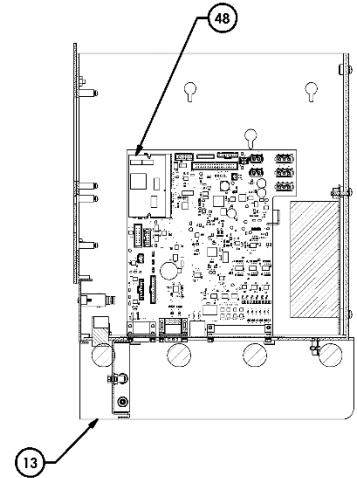
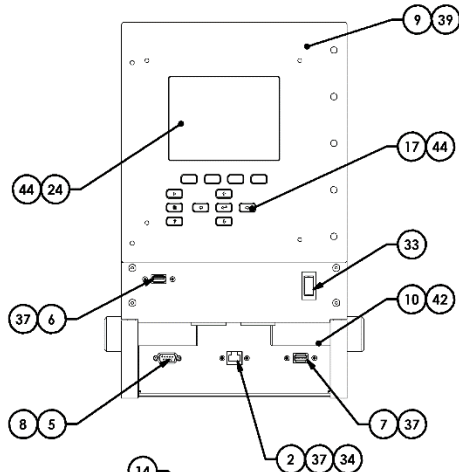
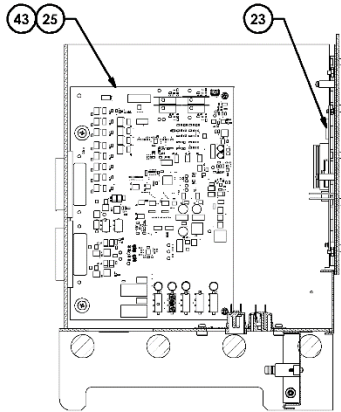
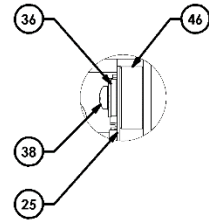
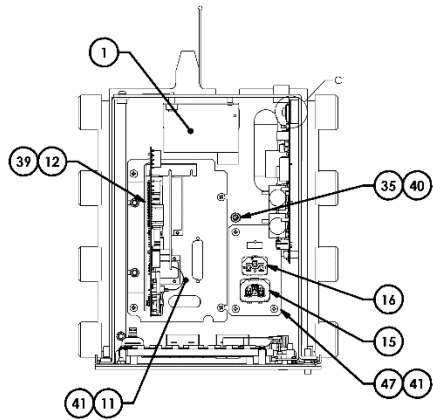
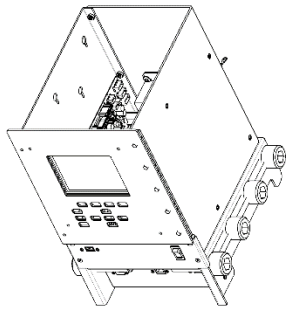
2025iD

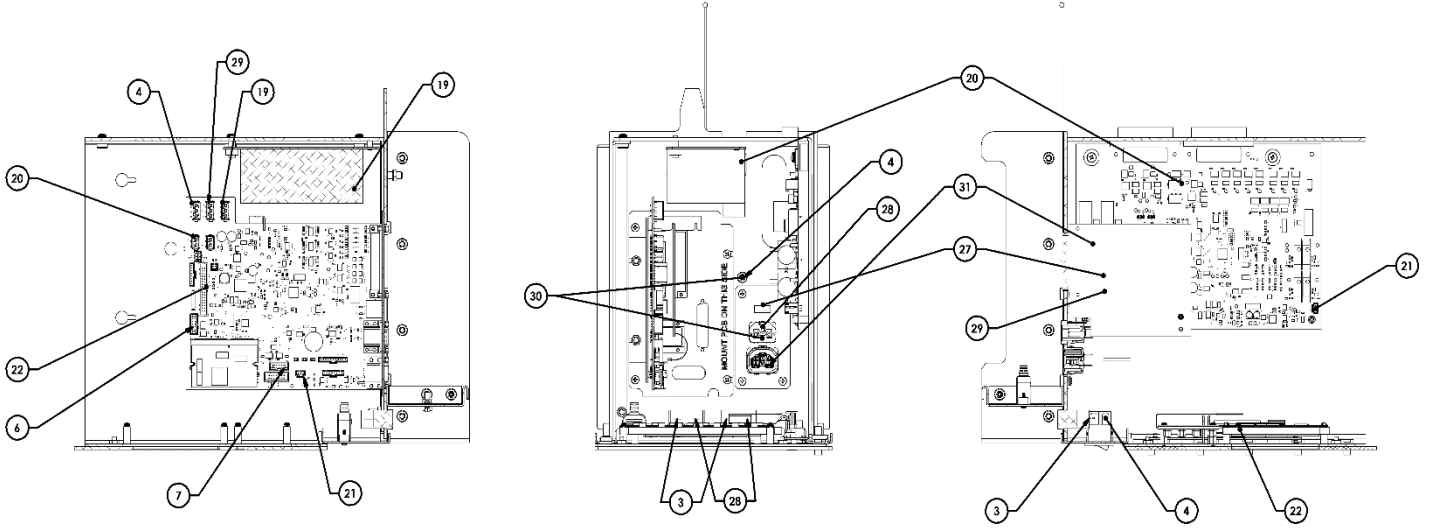


ITEM	DESCRIPTION	PART NO.	QTY	Component
1	FILTER, LINE, POWER, RFI, 10A	02-004909	1	Spare Part
2	CAP, DUST, CONNECTOR	06-002037	2	Spare Part
3	KIT, FILTER, FAN, PLASTIC	10-002799	4	Spare Part
4	STANDOFF, HEX, F/F, #8-32, 1/4L, 1/4 HEX, BRASS	12-004560-0004	2	Not Sellable
5	COVER, CONNECTOR, D-SUB, 9 PIN	12-006943	1	Not Sellable
6	TUBING, HEAT SHRINK, 1/8, POLYOLEFIN	13-000870-0002	1	Spare Part
7	CLIP, RETAINER, SOCKET, 26 POSITION	13-000894-0026	1	Not Sellable
8	HOLDER, CABLE, TWIST LOCK, .45 BUNDLE DIA	13-002166	3	Not Sellable
9	WASHER, FLAT, SAE, #6, SS	21-000849	8	Spare Part
10	SCREW, CAP, BUTTON HEAD, 1/4-20, 3/4, SS	21-000907-0012	2	Not Sellable
11	WASHER, FLAT, GENERIC, NARROW, 1/4, SS	21-001275	4	Spare Part
12	WASHER, LOCK, EXTERNAL TOOTH, #10, SS	21-001401	5	Spare Part
13	SCREW, CAP, SOCKET HEAD, PARTIAL THREAD, 1/4-20, 2.00, SS	21-001647-0032	2	Not Sellable
14	WASHER, LOCK, EXTERNAL TOOTH, #8, SS	21-003635	6	Spare Part
15	SCREW, MACHINE, PAN HEAD, PHILLIPS, #6-32, 1/4, SS	21-003721-0004	4	Not Sellable
16	SCREW, MACHINE, FLAT HEAD, PHILLIPS, FULL THD, #6-32, 1.00, SS	21-004277-0016	8	Not Sellable
17	NUT, LOCK, HEX, TOOTH WASHER, COARSE THREAD, #8-32, SS	21-004544	2	Not Sellable
18	NUT, LOCK, HEX, TOOTH WASHER, FINE THREAD, #10-32, SS	21-004545	5	Spare Part
19	SCREW, PAN HEAD, PHILLIPS, W/EXT WASHER, #8-32, 3/8, SS	21-005034-0006	3	Not Sellable
20	SCREW, MACHINE, PAN HEAD, W/EXT, #8-32, 3/4, SS	21-005034-0012	2	Not Sellable
21	SCREW, PAN HEAD, PHILLIPS, W/EXT WASHER, #10-32, 1/2, SS	21-005035-0008	2	Spare Part
22	NUT, LOCK, HEX, TOOTH WASHER, COARSE THREAD, 1/4-20, SS	21-006052	4	Not Sellable
23	SCREW, MACHINE, FLAT HEAD, PHILLIPS, FULL THD, #8-32, 1/2, SS	21-006054-0008	8	Not Sellable
24	SCREW, SELFTAP, PAN HEAD, PHILLIPS, #8, TYPE B, .375, SS	21-006431-0006	4	Not Sellable
25	ADHESIVE, THREADLOCK, LOW STRENGTH, PURPLE	22-001606	A/R	Not Sellable
26	GASKET, EXIT PUSHER CYLINDER COVER, DICHOT	22-005861	1	Not Sellable
27	TUBING, POLYETHYLENE, 3/8 OD X 1/4 ID, BLACK	24-002603	92"	Spare Part
28	SHIELD, RADIATION, 6 PLATE	30-004215	1	Spare Part
29	LABEL, IDENTIFICATION, CE	31-003528	1	Spare Part
30	LABEL, IDENTIFICATION, WEEE	31-010591	1	Not Sellable
31	LABEL, MODEL IDENTIFIER, 2025iD	31-011666	1	Not Sellable
32	LABEL, EPA DESIGNATION, 2025iD	31-011837	1	Not Sellable
33	FILTER, PARTICULATE, MINIATURE, 1/4F NPT	32-000403	2	Spare Part
34	TUBING, HIGH-TEMP, 1/8 ID, 1/4 OD, SILICONE, RED	32-000551-0002	48"	Spare Part
35	TUBING, HIGH-TEMP, 5/16 ID, 9/16 OD, SILICONE, RED	32-000551-0005	60"	Spare Part
36	FITTING, ADAPTER, BARB, 5/16T ID, 3/8 STEM, ACETAL	32-004058	6	Spare Part
37	FITTING, ADAPTER, BARB, 3/8T ID, 1/4M NPTF, BRASS	32-005181	1	Not Sellable
38	FITTING, ELBOW, BARB, 3/8T ID, 1/4M NPTF, BRASS	32-005189	3	Not Sellable
39	TUBING, SILICONE, SEMI-CLEAR, 5/16 ID, 9/16 OD	32-005826-0005	60"	Spare Part
40	FITTING, UNION BULKHEAD, 1/4 PTC, PLASTIC	32-008550	1	Not Sellable
41	TUBING, POLYURATHANE, 5/32 ID, 1/4 OD, BLACK	32-010737-0BLK	54"	Spare Part
42	FITTING, UNION, Y, 3/8 PTC X 3/8 STEM, PLASTIC	32-011649	1	Not Sellable
43	FITTING, UNION BULKHEAD, 3/8 PTC, PLASTIC	32-011652	1	Not Sellable
44	FITTING, TEE, REDUCING, 3/8T OD, 1/4T OD, 3/8T OD	32-011672	1	Not Sellable
45	MESH, FAN FILTER, POLYETHYLENE	36-011233	4	Spare Part

46	COVER, TRACK, DICHOT	38-005561	1	Spare Part
47	COVER, CYLINDER, EXIT PUSHER	38-005608	1	Spare Part
48	CABLE ASSY, 2.5FT EXTERNAL TEMPERATURE SENSOR	51-004352-0001	1	Spare Part
49	CABLE ASSY, V-LOCK, LINE FILTER - IEC CONN	51-011827	1	Not Sellable
50	ASSY, FILTER CHANGER, DICHOT	54-011341	1	Spare Part
51	ASSY, MANIFOLD, VALVE, 2025i	54-012098	1	Spare Part
52	ASSY, DICHOT SPLITTER	55-005507	1	Spare Part
53	ASSY, MAGAZINE, FILAMENT WOUND	55-005569	4	Spare Part
54	ASSY, ACCUMULATOR	55-011456	1	Spare Part
55	ELECTRONIC MODULE ASSY,	55-011483	1	Spare Part
56	ASSY, NEST, PUMP	55-011494	1	Not Sellable
57	ASSY, ENCLOSURE, COMMON, 2025i	55-011558	1	Spare Part
58	ASSY, WHITE TUBE, 2025i-D	55-011654	1	Not Sellable
59	ASSY, PIN, SHIPPING, ELECTRONICS MOD., PARTISOL	55-012090	1	Not Sellable
60	ASSY, MANIFOLD, 2025i-D	55-012262	1	Not Sellable
61	ASSY, FAN, COOLING, PUMP	56-006527	2	Spare Part
62	ASSY, FLOW MODULE, 5 LPM	56-012099	1	Spare Part
63	ASSY, FLOW MODULE, 20 LPM	56-012100	1	Spare Part
64	ASSY, VALVE, 3 PORT, VENTED, PRESSURE	56-012136-0001	1	Spare Part
65	ASSY, VALVE, 3 PORT, VENTED, VACUUM	56-012136-0002	1	Spare Part
66	ASSY, VALVE, 3 PORT, LEAK CHECK, PRESSURE	56-012139-0001	1	Spare Part
67	ASSY, VALVE, 3 PORT, LEAK CHECK, VACUUM	56-012139-0002	1	Spare Part
68	ASSY, FILTER CASSETTE,	59-004648-0010	2	Spare Part
69	TEST PROCEDURE FOR PARTISOL iSERIES	84-011505	REF	Not Sellable
70	WI, 2025I DOUBLE120/240V	93-011508	REF	Not Sellable
71	NUT, LOCK, TOOTH WASHER, SMALL PATTERN, #6-32, SS	100434-00	8	Not Sellable
72	ASSY, CABLE, WEATHER MONITOR	109805-00	1	Spare Part
73	CABLE ASSY, EE BULKHEAD TO BP PUMP	109806-00	1	Not Sellable
74	ASSY, CABLE, STATUS LAMP	109808-00	1	Not Sellable
75	ASSY, CABLE, GROUND, #10 RING TERMINAL, 8"	110601-01	1	Not Sellable
76	SOFTWARE, 2025/2000i&iD	112383-00	1	Not Sellable
77	LABEL, IDENTIFICATION, "15 YEARS"	116976-00	1	Spare Part
78	LOCKNUT, SEALING, 1/2F NPT, STL	118295-00	1	Not Sellable
79	O-RING, SEALING, METAL CLAD, 1/2 NPT HUB SIZE	118303-00	1	Not Sellable
80a	ASSY, CABLE, POWER, MODEL 2025 120v	51-011187-0120	1	Spare Part
80b	ASSY, CABLE, POWER, MODEL 2025 240v	51-011187-0240	1	Spare Part
81a	ASSY, HEATER & FAN, 120 VOLTS AC	55-011578-0120	1	Spare Part
81b	ASSY, HEATER & FAN, 240 VOLTS AC	55-011578-0240	1	Spare Part
82a	LABEL, POWER, PARTISOL, 120V	31-005017-0120	1	Not Sellable
82b	LABEL, POWER, PARTISOL, 240V	31-005017-0240	1	Not Sellable
83a	FUSE, 120v	111373-00	2	Spare Part
83b	FUSE, 240v	4523	2	Spare Part
84a	ASSY, PUMP, VACUUM 120v	55-012135-0001	1	Spare Part
84b	ASSY, PUMP, VACUUM 120v	55-012135-0002	1	Spare Part

Partisol Electronics Compartment

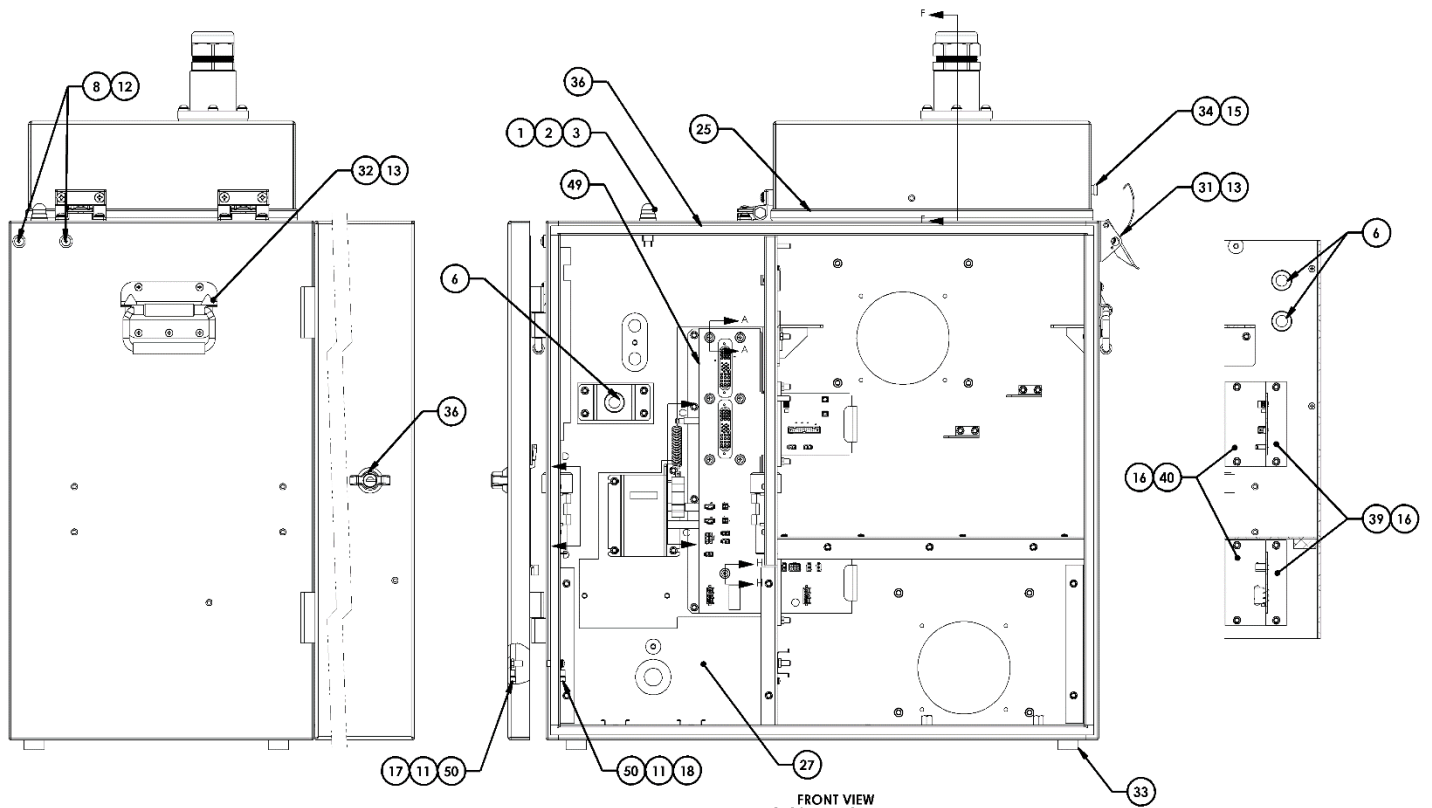




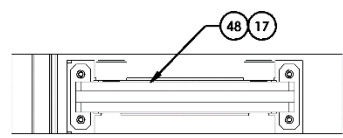
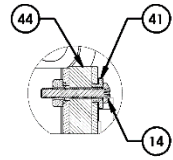
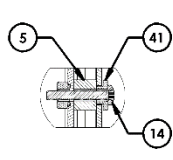
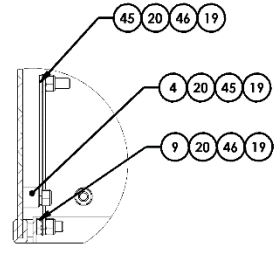
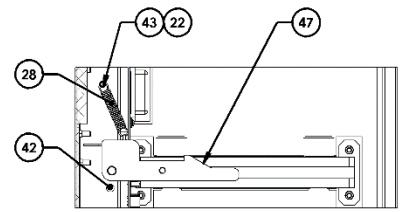
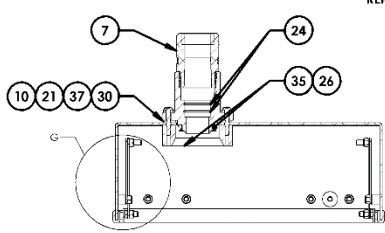
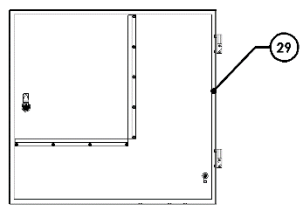
ITEM	DESCRIPTION	PART NO.	QTY.	Component
1	UNIVERSAL POWER SUPPLY, 24VDC OUTPUT	101681-00	1	Spare Part
2	CABLE ASSY, ETHERNET	108665-01	1	Not Sellable
3	CABLE ASSY, FUSE TO AC SWITCH	109851-00	1	Not Sellable
4	CABLE ASSY, AC POWER SWITCH TO MIB	110192-00	1	Not Sellable
5	CABLE ASSY, RS232, DB9	110289-00	1	Not Sellable
6	CABLE ASSY, PATCH USB	110291-01	1	Not Sellable
7	CABLE ASSY, PATCH USB	110291-02	1	Not Sellable
8	KIT, SCREW, JACK SOCKET, #4-40	12-010405	6	Not Sellable
9	PLATE, KEYPAD & DISPLAY	38-011484	1	Not Sellable
10	PANEL, USER INTERFACE	38-011526	1	Not Sellable
11	SUB PLATE, MOTHERBOARD,	38-011532	1	Not Sellable
12	BRACKET, MOTHERBOARD STIFF	38-011632	1	Not Sellable
13	ASSY, SHEETMETAL, ELECTRONIC ENCLOSURE	54-011619	1	Not Sellable
14	HOLDER, FUSE	04-011555	2	Not Sellable
15	CONNECTOR, OUTLET, SNAP-IN, 250 VAC	06-011822	1	Not Sellable
16	CONNECTOR, INLET, SNAP-IN, V-LOCK, 250 VAC	06-011823	1	Not Sellable
17	ASSY, KEYPAD MEMBRANE	100480-00	1	Spare Part
18	iSERIES DIGITAL BOARD	100539-00	1	Spare Part
19	ASSY, CABLE, AC INPUT, DC POWER SUPPLY	101035-00	1	Spare Part

20	CABLE ASSY, DC OUTPUT	101036-00	1	Spare Part
21	ASSY, CABLE, RS485	101048-00	1	Spare Part
22	CABLE ASSY, DISPLAY RIBBON	101054-00	1	Spare Part
23	ASSY, PCB, iSERIES FRONT PANEL BOARD 2 ASSEMBLY	102340-00	1	Spare Part
24	DISPLAY, LCD	102496-00	1	Spare Part
25	MEASUREMENT INTERFACE BOARD ASSY	109085-00	1	Spare Part
26	iSERIES MOTHERBOARD ASSY	109141-00	1	Spare Part
27	CABLE ASSY, MIB PUMP TO EE BULKHEAD	109838-00	1	Not Sellable
28	CABLE ASSY, IEC TO FUSE	109850-00	1	Not Sellable
29	ASSY, CABLE, AC POWER, MB TO MIB	110190-00	1	Not Sellable
30	CABLE ASSY, IEC TO GROUND STUD	110193-00	1	Not Sellable
31	CABLE ASSY, MIB TO MODEM IEC	110194-00	1	Not Sellable
32	ASSY, CABLE, GROUND, #10 RING TERMINAL, 14"	110601-02	1	Not Sellable
33	POWER SWITCH	12118	1	Spare Part
34	NUT, HEX, REGULAR, #4-40, SS	21-000836	2	Not Sellable
35	WASHER, LOCK, EXTERNAL TOOTH, #10, SS	21-001401	2	Spare Part
36	WASHER, SEALING, NEOPRENE BONDED, #10, 5/8 OD, SS	21-003604	2	Not Sellable
37	SCREW, MACHINE, PAN HEAD, PHILLIPS, #4-40, 1/2, SS	21-003720-0008	6	Not Sellable
38	SCREW, MACHINE, PAN HD PHIPS W/EXT, #10-32, 5/8, SS	21-003727-0010	2	Not Sellable
39	NUT, LOCK, HEX, TOOTH WASHER, COARSE THREAD, #8-32, SS	21-004544	6	Not Sellable
40	NUT, LOCK, HEX, TOOTH WASHER, FINE THREAD, #10-32, SS	21-004545	2	Spare Part
41	SEM, EXT, SS, 8-32 x 5/16	21-005034-0005	8	Not Sellable
42	SCREW, MACHINE, PAN HD PHLPS W/EXT, #6-32, 5/16, SS	21-005087-0005	4	Not Sellable
43	SCREW, MACHINE, PAN HD PHLPS W/EXT, #6-32, 1/2, SS	21-005087-0008	2	Not Sellable
44	SCREW, MACHINE, PAN HD, PHLPS W/ EXT, #4-40, 1/4, SS	21-005492-0004	8	Not Sellable
45	ADHESIVE, THREADLOCK, LOW STRENGTH, PURPLE	22-001606	A/R	Not Sellable
46	STAND OFF, INTERFACE	38-011543	2	Not Sellable
47	PLATE, DISTRIBUTION, POWER	38-011745	1	Not Sellable
48	BOARD, PROCESSOR, ARCTURUS	110570-00	1	Spare Part
49	GUIDE, STARTUP AND OPERATION, TEST SYSTEM, PARTISOL	84-011483	1	Not Sellable
50	INSTRUCTIONS, WORK, ELECTRONICS MODULE	xxx	REF	Not Sellable
51	TIE, CABLE, NYLON, 4"	5385	4	Not Sellable
52	REPORT, TEST RUN, ELECTRONICS MODULE, PARTISOL	xxx	1	Not Sellable

2025i Enclosure



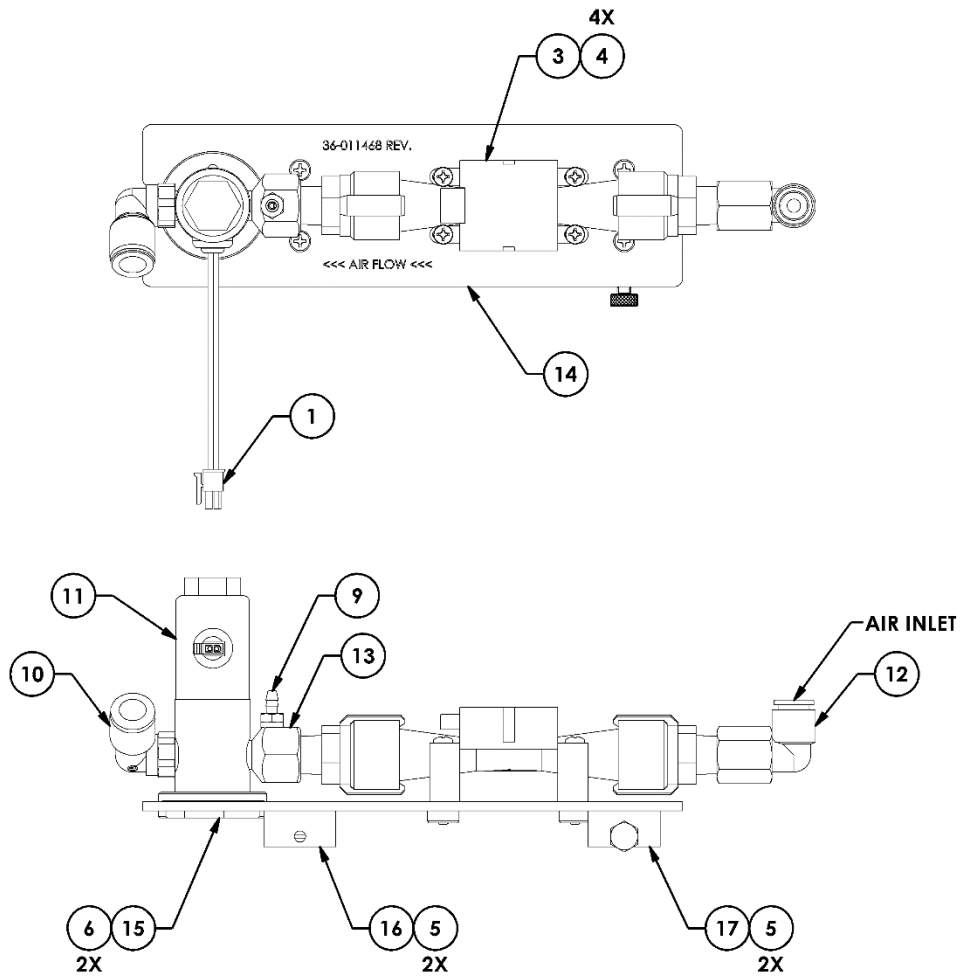
FRONT VIEW
ENCLOSURE FRONT PANEL
REMOVED FOR CLARITY



ITEM	DESCRIPTION	PART NO.	QTY	Component
1	LAMP, MINIATURE, INCANDESCENT, .17A @ 24V	05-004887	1	Spare Part
2	INDICATOR, BASE, INCANDESCENT, 2 - 120V	05-004888	1	Spare Part
3	CAP, INDICATOR BASE, INCANDESCENT, RED	05-004889	1	Spare Part
4	SPACER, #10 X 1/2 OD X 3/8 THK, NYLON	12-005178-0006	2	Not Sellable
5	SPACER, NYLON, .192 ID X .50 OD	12-011571	1	Not Sellable
6	GROMMET, RUBBER, 9/16 ID X 1.00 OD	13-002250	3	Spare Part
7	DOME, CONNECTOR, LIQTIGHT, 1 1/2 NPT,	13-004300	1	Spare Part
8	SCREW, MACHINE, TRUSS HEAD, PHILLIPS, #10-32, 1/2, SS	21-000835-0008	2	Not Sellable
9	NUT, HEX, REGULAR, #10-32, SS	21-000839	2	Not Sellable
10	SCREW, CAP, BUTTON HEAD, 1/4-20, 1 1/4, SS	21-000907-0020	4	Not Sellable
11	WASHER, LOCK, EXTERNAL TOOTH, #10, SS	21-001401	2	Spare Part
12	WASHER, SEALING, NEOPRENE BONDED, #10, 5/8 OD, SS	21-003604	2	Not Sellable
13	SCREW, MACHINE, PAN HEAD, PHILLIPS, FULL THD, #10-32, 3/8, SS	21-003727-0006	14	Not Sellable
14	SCREW, MACHINE, PAN HEAD, PHILLIPS, FULL THD, #10-32, 1.00, SS	21-003727-0016	7	Not Sellable
15	SCREW, MACHINE, FLAT HEAD, PHILLIPS, #10-32, 5/8, SS	21-004361-0010	2	Spare Part
16	NUT, LOCK, HEX, TOOTH WASHER, COARSE THREAD, #8-32, SS	21-004544	8	Not Sellable
17	NUT, LOCK, HEX, TOOTH WASHER, FINE THREAD, #10-32, SS	21-004545	9	Spare Part
18	SCREW, PAN HEAD, PHILLIPS, W/EXT WASHER, #10-32, 1/4, SS	21-005035-0004	1	Not Sellable
19	NUT, LOCK, HEX, W/NYLON INSERT, #10-32, SS	21-005072	6	Spare Part
20	WASHER, NYLON .195 ID X .437 OD X .031 THK	21-005239	6	Not Sellable
21	WASHER, SEALING, METAL-BOND, 1/4	21-005903-0408	4	Not Sellable
22	RING, RETAINING, 1/4 SHAFT, E-STYLE, SS	21-009932	1	Not Sellable
23	ADHESIVE, THREADLOCK, LOW STRENGTH, PURPLE	22-001606	A/R	Not Sellable
24	O-RING, 1 1/4 ID X 1 3/8 OD 1/16 THK, VITON	22-002853-3026	2	Spare Part
25	GROMMET STRIP, NEOPRENE, BLACK, 55 DUROMETER	22-004966	48.5"	Spare Part
26	SEAL, V-RING, 1.50-1.70 SHAFT OD, SILICONE	22-005957	1	Spare Part
27	KIT, INSULATION, 2025i	27-011568	1	Not Sellable
28	SPRING, EXTENSION	30-011545	1	Not Sellable
29	GASKET, DOOR, FRONT,	30-011631	1	Not Sellable
30	GASKET, TOP HEAD	33-002237	1	Spare Part
31	LATCH, DRAW W/O KEEPER, MATTE BLACK, LOCKABLE	33-004632	2	Spare Part
32	HANDLE, CHEST, SPRING LOADED, STAINLESS STEEL	33-004875	2	Not Sellable
33	FOOT, NEOPRENE	33-006024	4	Spare Part
34	KEEPER, DRAW LATCH, BLACK, STEEL	33-008777	2	Spare Part
35	ASSY, DOOR LOCK	33-011559	1	Not Sellable
36	ASSY, ENCLOSURE, 2025i	34-011529	1	Not Sellable
37	INLET, TOP	36-004427	1	Spare Part
38	HUB, ALIGNMENT	36-004647	1	Not Sellable
39	INSULATOR, BACK	36-011534	2	Not Sellable
40	INSULATOR, FRONT	36-011535	2	Not Sellable
41	RESTRAINT, BACKPLANE PCB	36-011544	8	Not Sellable
42	STOP, LATCH	36-011546	1	Not Sellable
43	POST, LATCH SPRING	36-011547	1	Not Sellable
44	BLOCK, SUPPORT, BACKPLANE, PARTISOL	36-012083	1	Not Sellable
45	LINKAGE, HINGE, SHORT, COVER	38-004576	2	Not Sellable

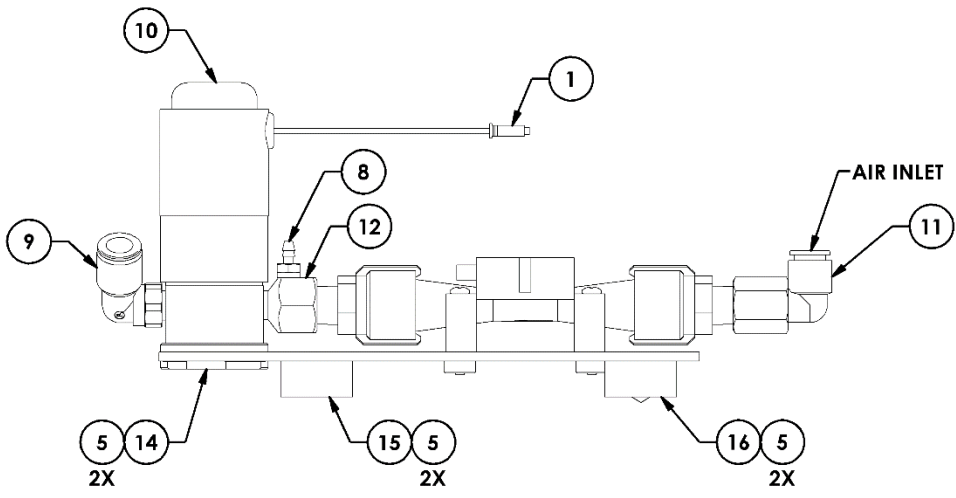
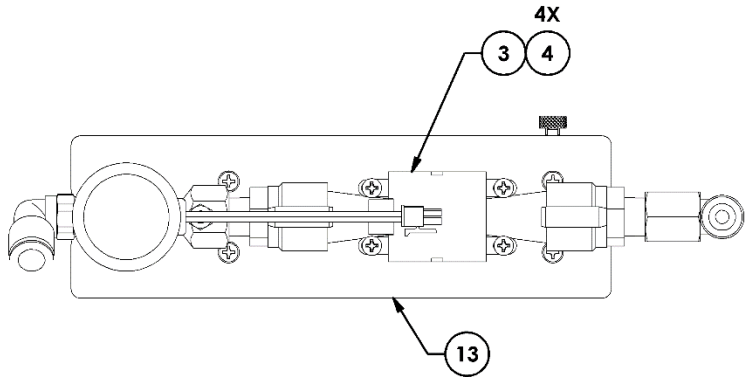
46	LINKAGE, HINGE, LONG,	38-004577	2	Not Sellable
47	ASSY, LATCH EJECTOR	55-011540	1	Not Sellable
48	ASSY, RAIL, GUIDE	55-011542	2	Not Sellable
49	ASSY, PCB, BACKPLANE, PARTISOL	109663-00	1	Spare Part
50	ASSY, CABLE, GROUND, #10 RING TERMINAL, 8"	110601-01	1	Not Sellable

5LPM Flow Module Assy. P/N: 56-012099



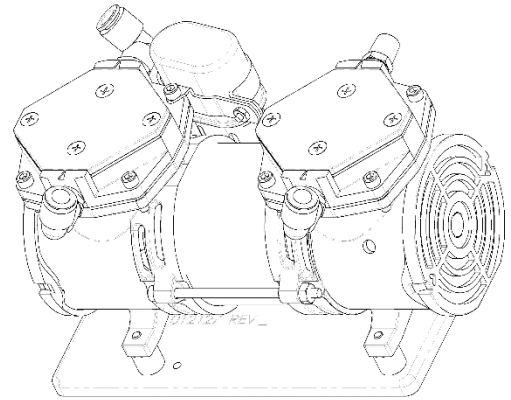
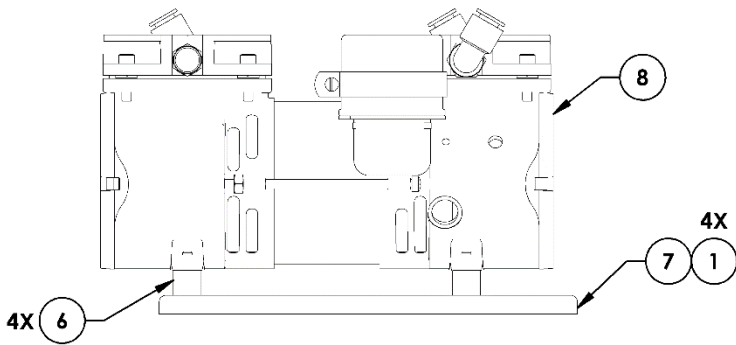
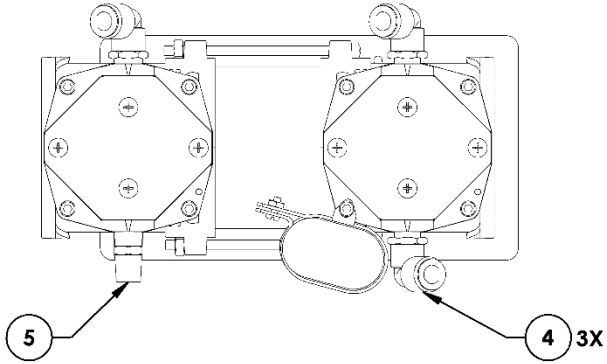
ITEM	DESCRIPTION	PART NO.	QTY	Component
1	HOUSING, RECEPTACLE, FEMALE, 2 POSITION	06-005486-0002	1	Spare Part
2	CONTACT, SOCKET, CRIMP, 20-24 AWG, MICRO-FIT	06-007204	2	Spare Part
3	SENSOR, MASS AIRFLOW, 0-5 SLPM, 1-5 VDC, 1/4 NPT	10-003312	1	Spare Part
4	SCREW, MACHINE, PAN HEAD, PHILLIPS, FULL THD, #6-32, 1.125, SS	21-003721-0018	4	Not Sellable
5	SCREW, MACHINE, FLAT HEAD, PHILLIPS, FULL THD, #6-32, 5/16, SS	21-004277-0005	4	Not Sellable
6	SCREW, MACHINE, FLAT HEAD, PHILLIPS, FULL THD, #8-32, 5/16, SS	21-006054-0005	2	Not Sellable
7	SEALANT, RTV SILICONE, GE 162	22-005699	A/R	Spare Part
8	TAPE, SEALANT, PIPE THREAD, 1/4 WIDE, .0032 THICK	22-007258	A/R	Not Sellable
9	FITTING, STRAIGHT, BARB, 1/8 TUBE, #10-32, BRASS	32-000509	1	Not Sellable
10	FITTING, ELBOW, SWIVEL, 3/8 TUBE, 1/8 NPT, PTC	32-008756	1	Spare Part
11	VALVE, PROPORTIONAL, 2 WAY, 1/8 NPT PORTS, SS	32-009088	1	Spare Part
12	FITTING, ELBOW, SWIVEL, 3/8T OD, 1/4F NPT, BRASS	32-012101	1	Not Sellable
13	FITTING, ADAPTER, MOD, 1/4,	35-007673	1	Not Sellable
14	PLATE, MOUNTING, AIRFLOW MODULE	36-011468	1	Not Sellable
15	DISC, MOUNTING, AIRFLOW CONTROL VALVE	36-011469	1	Not Sellable
16	BLOCK, MOUNTING, DIN RAIL, UNIVERSAL	36-012102	1	Not Sellable
17	ASSY, BLOCK, MOUNTING, DIN RAIL, UNIVERSAL	55-012103	1	Not Sellable
18	CABLE, MASS FLOW SENSOR	109802-02	1	Not Sellable

20LPM Flow Module Assy. P/N: 56-012100



ITEM	DESCRIPTION	PART NO.	QTY	Component
1	HOUSING, RECEPTACLE, FEMALE, 2 POSITION	06-005486-0002	1	Spare Part
2	CONTACT, SOCKET, CRIMP, 20-24 AWG, MICRO-FIT	06-007204	2	Spare Part
3	SENSOR, MASS AIRFLOW, 0-20 SLPM, 1-5 VDC, 1/4 NPT	10-002415	1	Spare Part
4	SCREW, MACHINE, PAN HEAD, PHILLIPS, FULL THD, #6-32, 1.125, SS	21-003721-0018	4	Not Sellable
5	SCREW, MACHINE, FLAT HEAD, PHILLIPS, FULL THD, #6-32, 5/16, SS	21-004277-0005	6	Not Sellable
6	SEALANT, RTV SILICONE, GE 162	22-005699	A/R	Spare Part
7	TAPE, SEALANT, PIPE THREAD, 1/4 WIDE, .0032 THICK	22-007258	A/R	Not Sellable
8	FITTING, STAIGHT, BARB, 1/8 TUBE, #10-32, BRASS	32-000509	1	Not Sellable
9	FITTING, ELBOW, SWIVEL, 3/8 TUBE, 1/8 NPT, PTC	32-008756	1	Spare Part
10	VALVE, PROPORTIONAL, 2 WAY, 1/8 NPT PORTS, BRASS, SS	32-009243	1	Spare Part
11	FITTING, ELBOW, SWIVEL, 3/8T OD, 1/4F NPT, BRASS	32-012101	1	Not Sellable
12	FITTING, ADAPTER, MOD, 1/4,	35-007673	1	Not Sellable
13	PLATE, MOUNTING, AIRFLOW MODULE	36-011468	1	Not Sellable
14	DISC, MOUNTING, AIRFLOW CONTROL VALVE	36-011469	1	Not Sellable
15	BLOCK, MOUNTING, DIN RAIL, UNIVERSAL	36-012102	1	Not Sellable
16	ASSY, BLOCK, MOUNTING, DIN RAIL, UNIVERSAL	55-012103	1	Not Sellable
17	CABLE, MASS FLOW SENSOR	109802-01	1	Spare Part

Partisol Pump



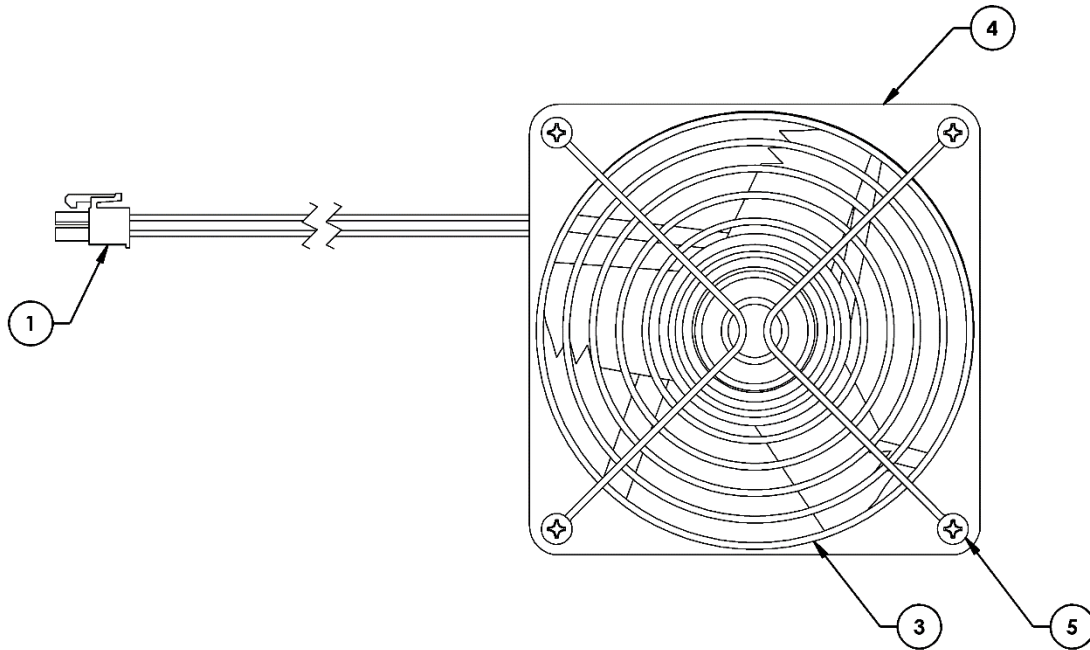
120v Pump P/N: 55-012135-0001

ITEM	DESCRIPTION	PART NO.	QTY	Component
1	SCREW, PAN HEAD, PHILLIPS, W/EXT WASHER, #8-32, 3/8, SS	21-005034-0006	4	Not Sellable
2	ADHESIVE, THREADLOCK, LOW STRENGTH, PURPLE	22-001606	A/R	Not Sellable
3	TAPE, SEALANT, PIPE THREAD, 1/4 WIDE, .0032 THICK	22-007258	A/R	Not Sellable
4	FITTING, ELBOW, PTC, 3/8T OD, 1/4M NPT, BRASS	32-010432	3	Spare Part
5	MUFFLER, EXHAUST, 1/4 NPT, BRASS	32-012064	1	Not Sellable
6	MOUNT, STUD/PLATE, 1/2, #10-32, #8-32, RUBBER	33-012065	4	Spare Part
7	PLATE, MOUNT, PUMP, VACUUM	36-012127	1	Not Sellable
8	ASSY, CABLE, VACUUM PUMP, 120V	52-012129	1	Not Sellable

240v Pump P/N: 55-012135-0002

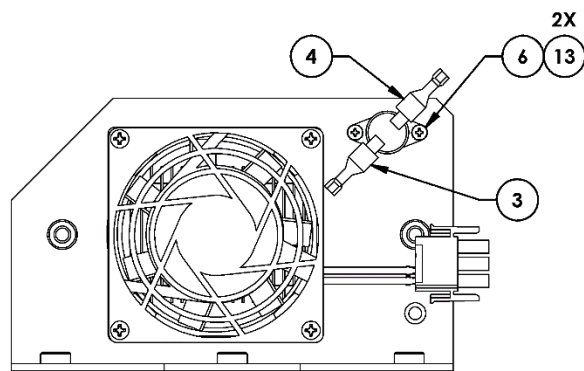
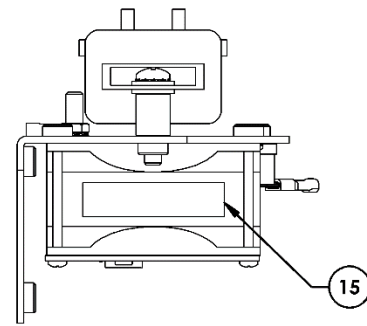
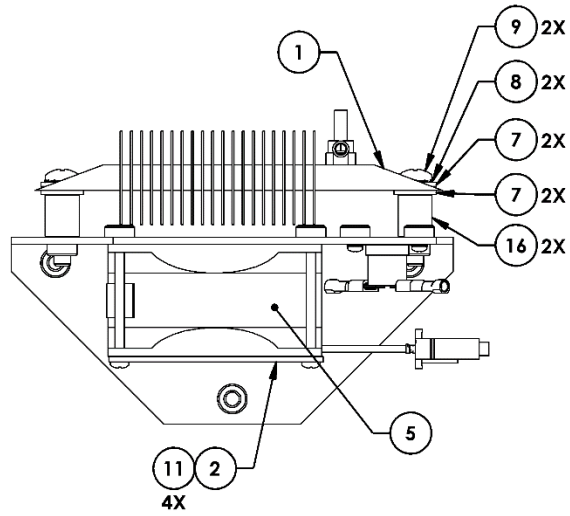
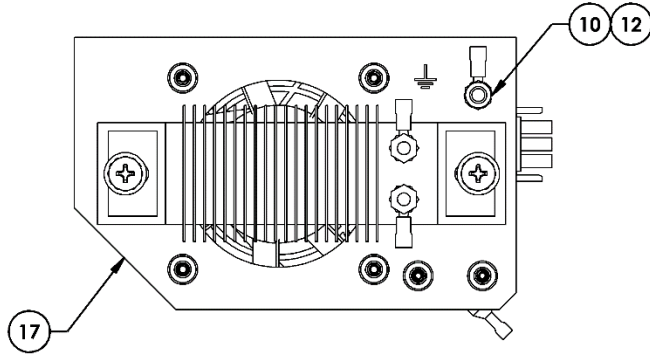
ITEM	DESCRIPTION	PART NO.	QTY	Component
1	SCREW, PAN HEAD, PHILLIPS, W/EXT WASHER, #8-32, 3/8, SS	21-005034-0006	4	Not Sellable
2	ADHESIVE, THREADLOCK, LOW STRENGTH, PURPLE	22-001606	A/R	Not Sellable
3	TAPE, SEALANT, PIPE THREAD, 1/4 WIDE, .0032 THICK	22-007258	A/R	Not Sellable
4	FITTING, ELBOW, PTC, 3/8T OD, 1/4M NPT, BRASS	32-010432	3	Spare Part
5	MUFFLER, EXHAUST, 1/4 NPT, BRASS	32-012064	1	Not Sellable
6	MOUNT, STUD/PLATE, 1/2, #10-32, #8-32, RUBBER	33-012065	4	Spare Part
7	PLATE, MOUNT, PUMP, VACUUM	36-012127	1	Not Sellable
8	ASSY, CABLE, VACUUM PUMP, 220V	52-012130	1	Not Sellable

Partisol Cooling Fan Assy. P/N: 56-006527



ITEM	DESCRIPTION	PART NO.	Qty	Component
1	HOUSING, RECEPTACLE, FEMALE, 2 POSITION	06-000510-0002	1	Not Sellable
2	CONTACT, CRIMP, FEMALE, 22-28 AWG	06-000989	2	Not Sellable
3	GUARD, FAN, WIRE FORM, 120MM	10-002937	1	Not Sellable
4	FAN, BRUSHLESS, 24 VDC, 110 CFM, 6 WATT	10-004496	1	Spare Part
5	SCREW, SELFTAP, PAN HEAD, PHILLIPS, #8, TYPE B, .625, SS	21-006431-0010	4	Not Sellable
6	INSTRUCTIONS, WORK, ASSY, FAN, COOLING PUMP	93-006527	REF	Not Sellable

Partisol Heater/Fan Assy.



120V Heater P/N: 55-011578-0120

ITEM	DESCRIPTION	PART NO.	QTY	Component
1	HEATER, FINNED, 120V, 300 WATT, PARALLEL TERMINALS	01-004752-0300	1	Not Sellable
2	GUARD, FAN, PLASTIC, 80MM	10-005447	1	Not Sellable
3	ASSY, CABLE, MIB TO HEATER	109853-00	1	Not Sellable
4	ASSY, CABLE, TEMP SWITCH TO HEATER	110191-00	1	Not Sellable
5	ASSY, CABLE, HEATER FAN, 120VAC	110200-00	1	Spare Part
6	THERMOSTAT, DISC, N.C., OPEN @ 110°, GOLD CONTACTS	14-004897-0110	1	Not Sellable
7	WASHER, FLAT, GENERIC, NARROW, 1/4, SS	21-001275	4	Spare Part
8	WASHER, LOCK, EXTERNAL TOOTH, 1/4, SS	21-001276	2	Not Sellable
9	SCREW, MACHINE, PAN HEAD, PHILLIPS, FULL THD, 1/4-20, 1.25, SS	21-001277-0020	2	Not Sellable
10	WASHER, LOCK, EXTERNAL TOOTH, #10, SS	21-001401	1	Spare Part
11	SCREW, MACHINE, PAN HEAD, PHILLIPS, FULL THD, #6-32, 2.00, SS	21-003721-0032	4	Not Sellable
12	NUT, LOCK, HEX, TOOTH WASHER, FINE THREAD, #10-32, SS	21-004545	1	Spare Part
13	SCREW, PAN HEAD, PHILLIPS, W/EXT WASHER, FT, #4-40, 1/4, SS	21-005492-0004	2	Not Sellable
14	ADHESIVE, THREADLOCK, LOW STRENGTH, PURPLE	22-001606	A/R	Not Sellable
15	LABEL, VOLTAGE MARKER, 120 VOLTS, ADHESIVE, VINYL	31-000886-0120	1	Not Sellable
16	SPACER, ROUND, 1/2 OD, .252 ID, 5/8, AL	35-002241-0010	2	Not Sellable
17	BRACKET, HEATER & FAN	38-011479	1	Not Sellable

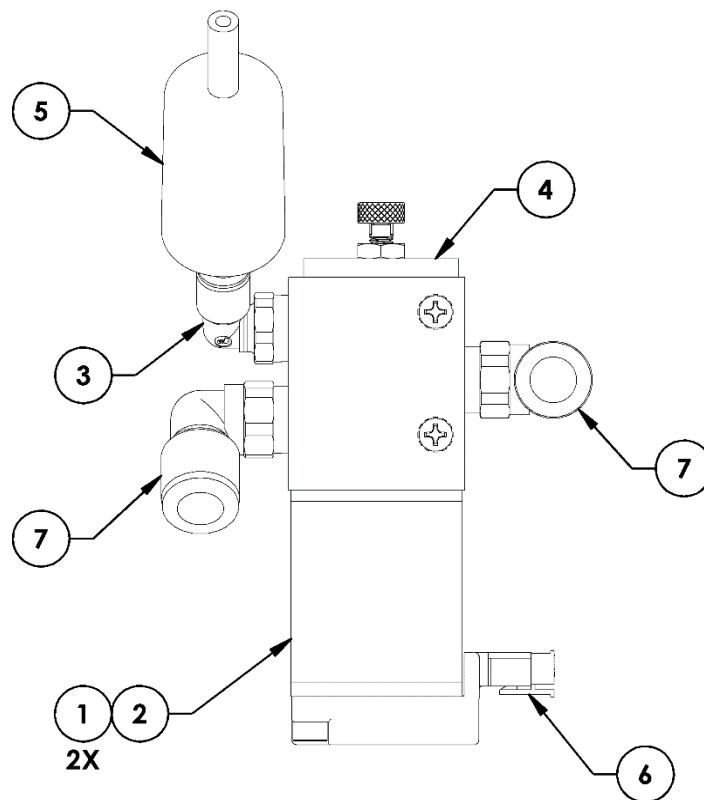
240v Heater P/N: 55-011578-0240

ITEM	DESCRIPTION	PART NO.	QTY	Component
1	HEATER, FINNED, 240V, 300 WATT, PARALLEL TERMINALS	01-004912-0300	1	Not Sellable
2	GUARD, FAN, PLASTIC, 80MM	10-005447	1	Not Sellable
3	ASSY, CABLE, MIB TO HEATER	109853-00	1	Not Sellable
4	ASSY, CABLE, TEMP SWITCH TO HEATER	110191-00	1	Not Sellable
5	ASSY, CABLE, HEATER FAN, 240VAC	110199-00	1	Spare Part
6	THERMOSTAT, DISC, N.C., OPEN @ 110°, GOLD CONTACTS	14-004897-0110	1	Not Sellable
7	WASHER, FLAT, GENERIC, NARROW, 1/4, SS	21-001275	4	Spare Part
8	WASHER, LOCK, EXTERNAL TOOTH, 1/4, SS	21-001276	2	Not Sellable
9	SCREW, MACHINE, PAN HEAD, PHILLIPS, FULL THD, 1/4-20, 1.25, SS	21-001277-0020	2	Not Sellable
10	WASHER, LOCK, EXTERNAL TOOTH, #10, SS	21-001401	1	Spare Part
11	SCREW, MACHINE, PAN HEAD, PHILLIPS, FULL THD, #6-32, 2.00, SS	21-003721-0032	4	Not Sellable
12	NUT, LOCK, HEX, TOOTH WASHER, FINE THREAD, #10-32, SS	21-004545	1	Spare Part
13	SCREW, PAN HEAD, PHILLIPS, W/EXT WASHER, FT, #4-40, 1/4, SS	21-005492-0004	2	Not Sellable
14	ADHESIVE, THREADLOCK, LOW STRENGTH, PURPLE	22-001606	A/R	Not Sellable
15	LABEL, VOLTAGE MARKER, 240VOLTS, ADHESIVE, VINYL	31-000886-0240	1	Not Sellable
16	SPACER, ROUND, 1/2 OD, .252 ID, 5/8, AL	35-002241-0010	2	Not Sellable
17	BRACKET, HEATER & FAN	38-011479	1	Not Sellable

3 Port Valve, Pressure/Vacuum

Pressure Valve P/N: 56-012136-0001

Vacuum Valve P/N: 56-012136-0002

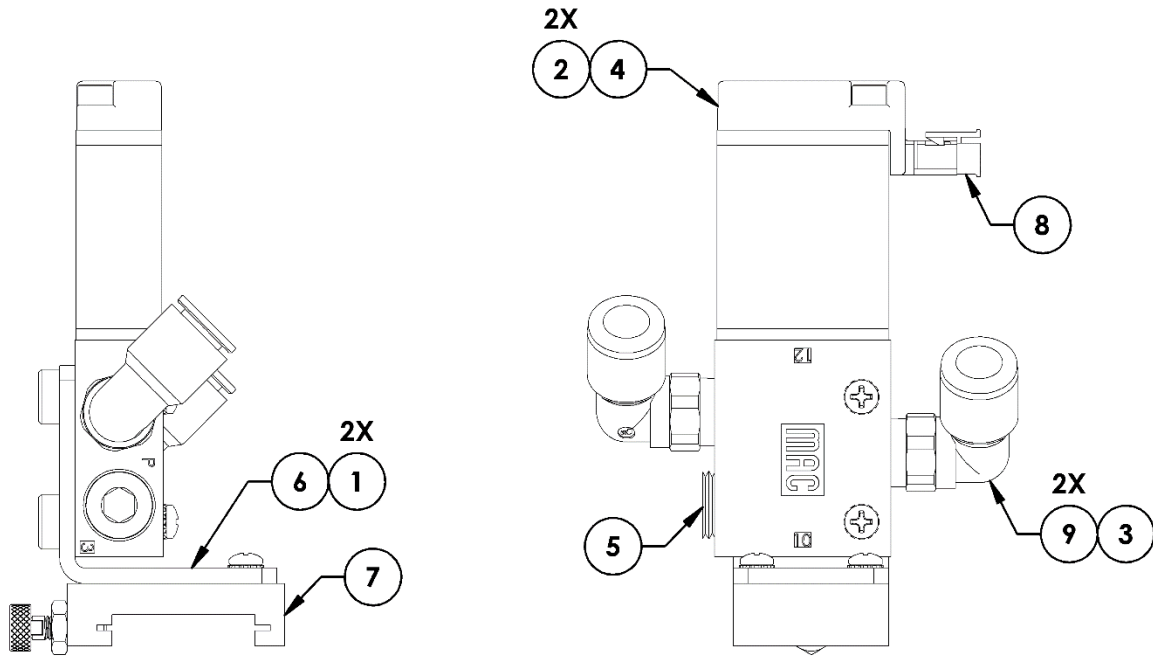


ITEM	DESCRIPTION	PART NO.	QTY	Component
1	SCREW, PAN HEAD, PHILLIPS, W/EXT WASHER, FT, #6-32, 1.00, SS	21-005087-0016	2	Spare Part
2	VALVE, 3 WAY, INLINE, WITH VITON SEALS	30-012132	1	Not Sellable
3	FITTING, ELBOW, SWIVEL, 1/4T OD, 1/4 NPT, PTC	32-007136	1	Not Sellable
4	ASSY, BLOCK, MOUNTING, DIN RAIL, VALVE	55-012137	1	Not Sellable
5	FILTER, DISPOSABLE, LOW FLOW GAS	4311	1	Spare Part
6a	ASSY, CABLE, LEAK CHECK/VENTED VALVE, PRESS	114648-03	1	Not Sellable
6b	ASSY, CABLE, LEAK CHECK/VENTED VALVE, VAC	114648-04	1	Not Sellable
7	FITTING, ELBOW, SWIVEL, 3/8T OD, 1/4 NPT	114809-00	2	Not Sellable

3 Port Valve, Leak Check

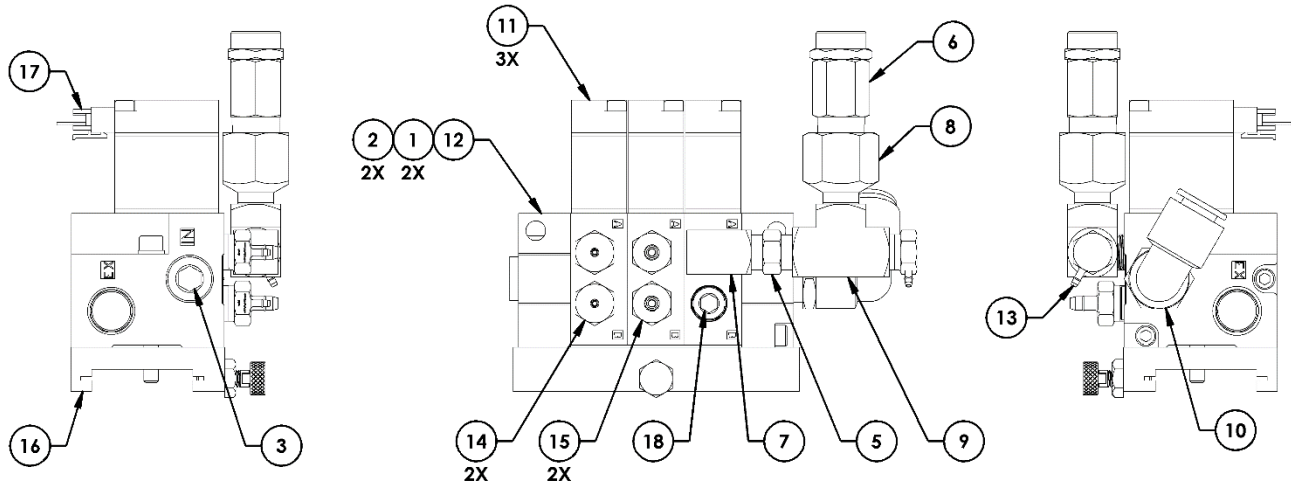
Pressure Valve P/N: 56-012139-0001

Vacuum Valve P/N: 56-012139-0002



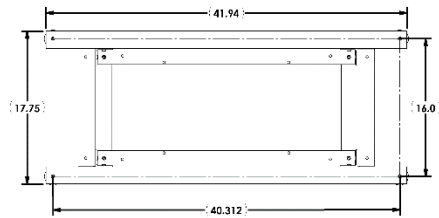
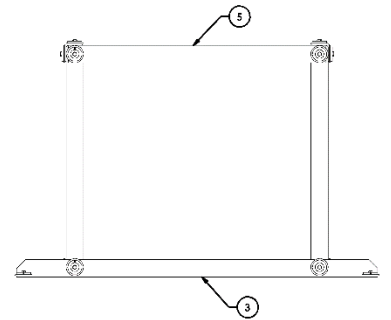
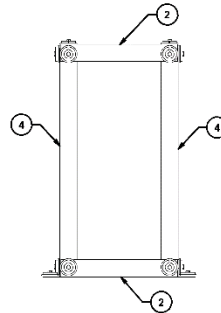
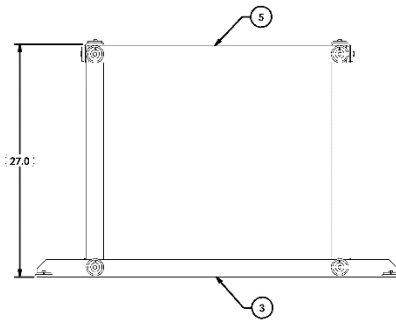
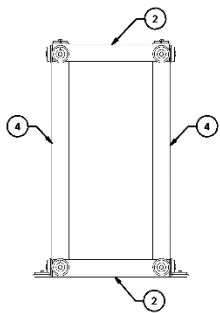
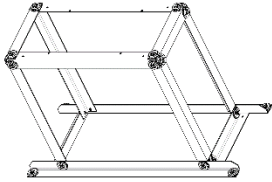
ITEM	DESCRIPTION	PART NO.	QTY	Component
1	SCREW, PAN HEAD, PHILLIPS, W/EXT WASHER, #6-32, 3/8, SS	21-005087-0006	2	Not Sellable
2	SCREW, PAN HEAD, PHILLIPS, W/EXT WASHER, #6-32, 1.00, SS	21-005087-0016	2	Not Sellable
3	TAPE, SEALANT, PIPE THREAD, 1/4 WIDE, .0032 THICK	22-007258	A/R	Not Sellable
4	VALVE, 3 WAY, INLINE, WITH VITON SEALS	30-012132	1	Not Sellable
5	FITTING, PLUG, HEX SOCKET, 1/4M NPT, SS	32-010037	1	Not Sellable
6	BRACKET, MOUNTING, VALVE	38-012140	1	Not Sellable
7	ASSY, BLOCK, MOUNTING, DIN RAIL, VALVE	55-012137	1	Not Sellable
8a	ASSY, CABLE, LEAK CHECK/VENTED VALVE, PRESS	114648-01	1	Not Sellable
8b	ASSY, CABLE, LEAK CHECK/VENTED VALVE, VAC	114648-02	1	Not Sellable
9	FITTING, ELBOW, SWIVEL, 3/8T OD, 1/4 NPT	114809-00	2	Not Sellable

2025i Manifold Valve P/N: 54-012098



ITEM	DESCRIPTION	PART NO.	QTY	Component
1	SCREW, CAP, SOCKET HEAD, PARTIAL THREAD, #8-32, 1.50, SS	21-000826-0024	2	Not Sellable
2	WASHER, LOCK, HELICAL SPRING, REGULAR, #8, SS	21-000846	2	Not Sellable
3	PLUG, PIPE, 1/4 NPT, BRASS	21-011475	1	Not Sellable
4	SEALANT, THREAD, PIPE, PTFE	22-000867	A/R	Not Sellable
5	FITTING, NIPPLE, HEX, 1/8 NPTF, 1/8 NPTF, BRASS	32-005042-0002	1	Not Sellable
6	VALVE, RELIEF, PRESSURE/VACUUM, 0-2 CFM, 1/4 NPT	32-005046	1	Not Sellable
7	FITTING, ELBOW, STREET, 1/8 NPT, 1/8 FNPT, BRASS	32-005108	1	Not Sellable
8	FITTING, ADAPTER, 1/4 FNPT, 1/8 NPT, BRASS	32-007690	1	Spare Part
9	FITTING, TEE, UNION, 1/8 FNPT, BRASS	32-010357	1	Not Sellable
10	FITTING, ELBOW, PTC, 3/8T OD, 1/4M NPT, BRASS	32-010432	1	Spare Part
11	VALVE, SOLENOID, 4 WAY, MANIFOLD, WIDE TEMP MOD	32-011581	3	Not Sellable
12	KIT, END PLATE, MANIFOLD VALVE	32-011582	1	Not Sellable
13	FITTING, ELBOW, BARB, 1/16T ID, 1/8 NPT, BRASS	32-012141	1	Not Sellable
14	FITTING, ADAPTER, BARB, 1/16T ID, 1/8 NPT, BRASS	32-012142	2	Not Sellable
15	FITTING, ADAPTER, BARB, 1/8T ID, 1/8 NPT, BRASS	32-012150	2	Not Sellable
16	ASSY, BLOCK, MOUNTING, DIN RAIL, VALVE MANIFOLD	55-012105	1	Not Sellable
17	ASSY, CABLE, SHUTTLE MANIFOLD VALVES	109810-00	1	Spare Part
18	FITTING, PLUG, HEX SOCKET, 1/8 NPT, BRASS	B406	1	Not Sellable

Partisol Stand P/N: 57-004644



ITEM	DESCRIPTION	PART NO.	QTY	Component
1	TUBE, SHIPPING, W/CAPS, 6.0 ID, 60.0L	20-003643	1	Not Sellable
2	ANGLE, STAND, TOP/BOTTOM, LEFT/RIGHT	36-005476	4	Spare Part
3	ANGLE, STAND, BOTTOM, FRONT/BACK	36-005477	2	Spare Part
4	ANGLE, STAND, LEG	36-005478	4	Not Sellable
5	ANGLE, STAND, TOP, FRONT/BACK	36-005479	2	Spare Part
6	KIT, HARDWARE PACKAGE,	59-002449	1	Not Sellable

thermoscientific



USA

27 Forge Parkway
Franklin, MA 02038
Ph: (866) 282-0430
Fax: (508) 520-2800
orders.aqi@thermofisher.com

India

C/327, TTC Industrial Area
MIDC Pawane
New Mumbai 400 705, India
Ph: +91 22 4157 8800
india@thermofisher.com

China

8/F Bldg C of Global Trade Ctr,
No.36, North 3rd Ring Road,
Dong Cheng District
Beijing, China 100013
Ph: +86 10 84193588
info.eid.china@thermofisher.com

Europe

Ion Path, Road Three,
Winsford, Cheshire CW73GA UK
Ph: +44 1606 548700
Fax: +44 1606 548711
sales.epm.uk@thermofisher.com

Find out more at thermofisher.com/cleanair

© 2020 Thermo Fisher Scientific Inc. All trademarks are the property of Thermo Fisher Scientific and its subsidiaries unless otherwise specified.

ThermoFisher
SCIENTIFIC