

thermoscientific



TEOM™ Continuous Particulate Monitors Spare Parts Catalog

Spare Parts Catalog

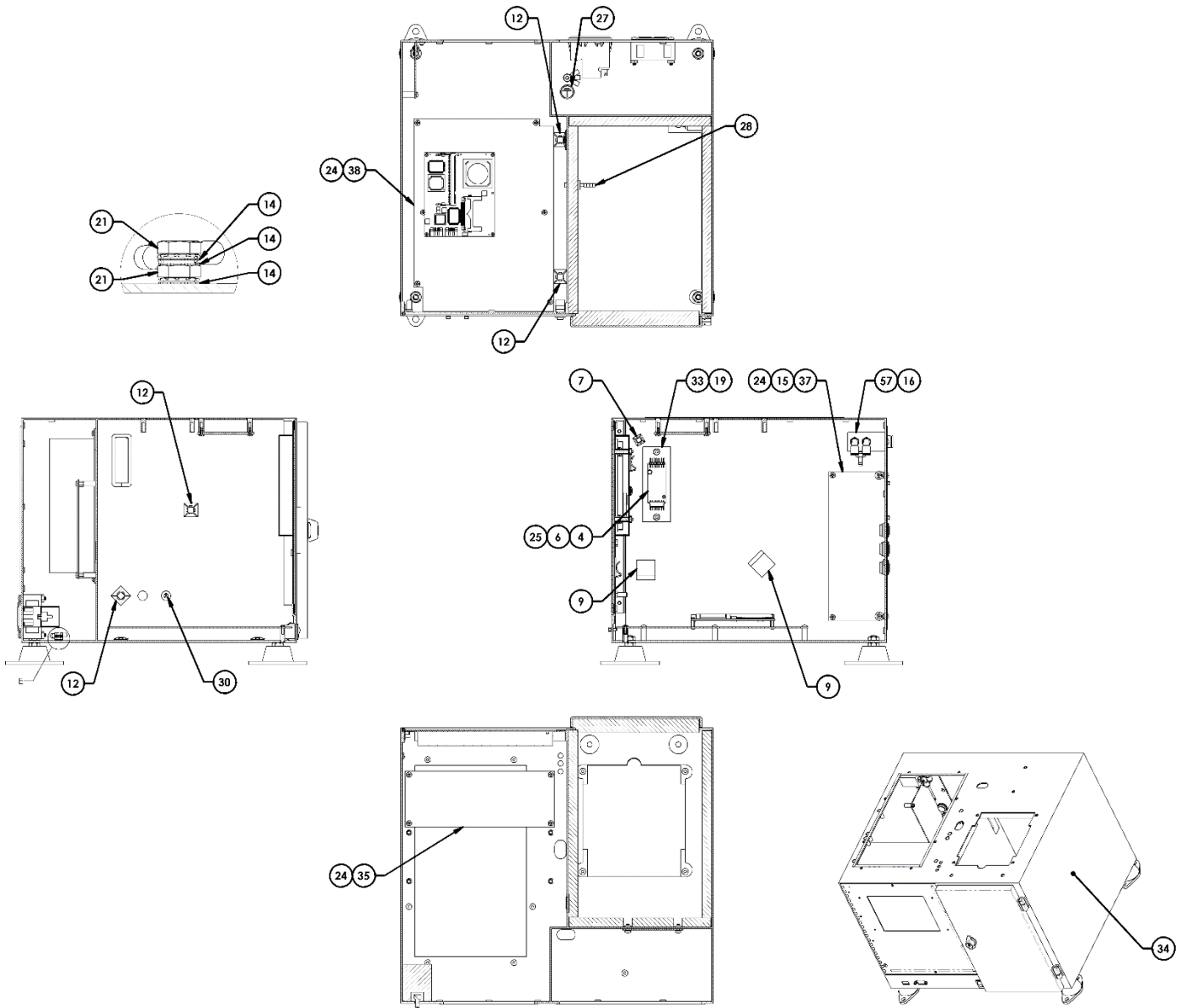
August 2020

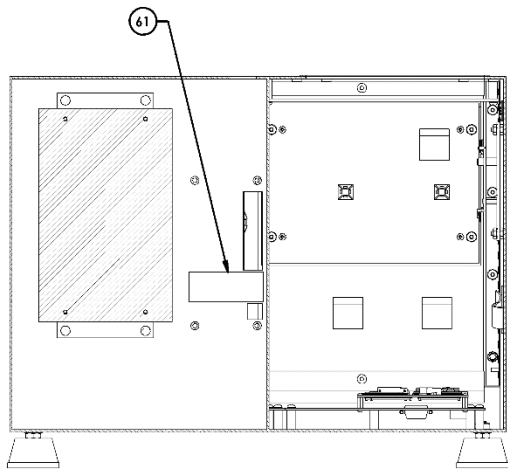
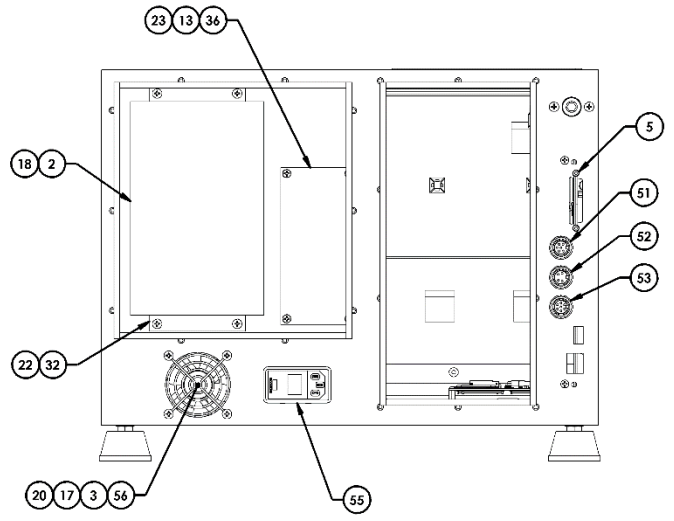
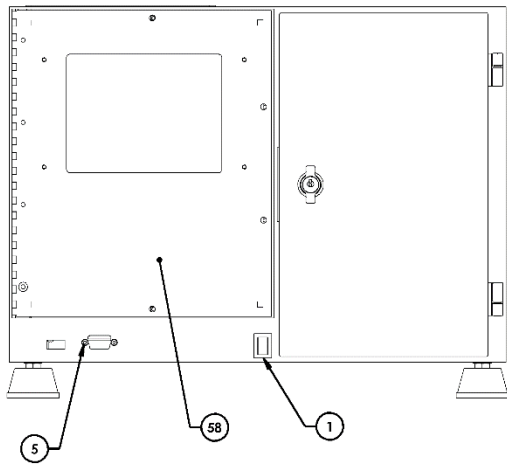
ThermoFisher
SCIENTIFIC

Table of Contents

| | |
|--|-------|
| 1405 Enclosure..... | |
| 1405D/DF Air Tube Assy..... | |
| 1405/F Air Tube Assy..... | |
| Mass Flow Controller Assy, Single..... | |
| Mass Flow Controller Assy, Dichot..... | |
| Diverter Valve, Single..... | |
| Diverter Valve, Dichot..... | |
| Assy, Base, Conditioner, Filter..... | |
| Assy, Dryer, Flat Nafion..... | |

1405 Enclosure

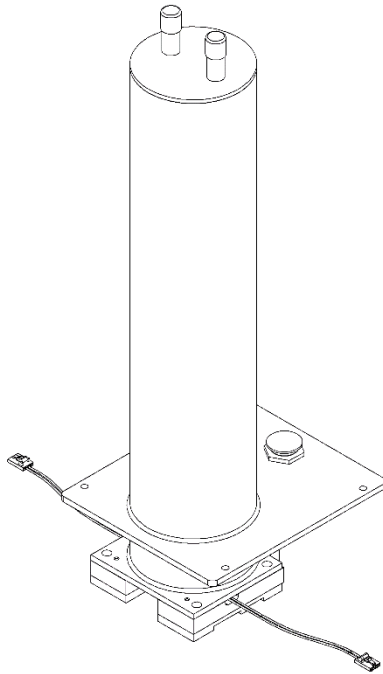
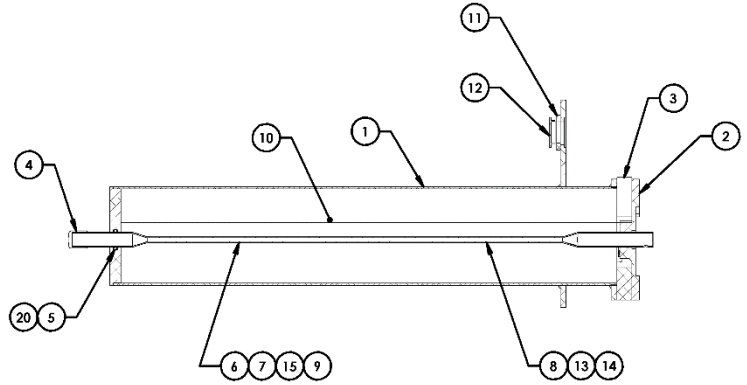
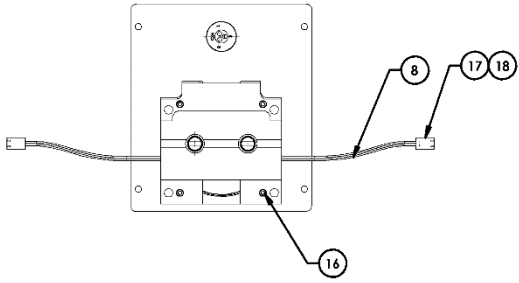




| ITEM | DESCRIPTION | PART NO. | QTY | Component |
|------|---|----------------|-------|--------------|
| 1 | SWITCH, ROCKER, DOUBLE POLE | 04-001576 | 1 | Spare Part |
| 2 | POWER SUPPLY, MULTIPLE-OUTPUT | 10-007163 | 1 | Spare Part |
| 3 | GUARD, FAN, WIRE FORM, 60MM | 10-010418 | 1 | Not Sellable |
| 4 | BOARD, CONTROLLER, TOUCH SCREEN, ANALOG RESISTIVE | 10-011036 | 1 | Spare Part |
| 5 | KIT, SCREW, JACK SOCKET, #4-40 | 12-010405 | 2 | Not Sellable |
| 6 | STANDOFF, F/F, #2-56, 3/16 HEX, 3/8L, AL | 12-010945-0006 | 2 | Not Sellable |
| 7 | MOUNT, CABLE TIE, ADHESIVE BACKED, 4 WAY, 1/2, NYLON | 13-000861 | 1 | Not Sellable |
| 8 | TUBING, HEAT SHRINK, 3/4, POLYOLEFIN | 13-000870-0012 | 1.25" | Not Sellable |
| 9 | CLAMP, CABLE, FLAT, ADHESIVE BACKED, 1.00 WIDE, PVC | 13-000879 | 2 | Not Sellable |
| 10 | TIE, CABLE, 3.375 L, .10 W, NYLON | 13-000881 | 5 | Not Sellable |
| 11 | CLIP, RETAINER, SOCKET, 10 POSITION | 13-000894-0010 | 2 | Not Sellable |
| 12 | MOUNT, CABLE TIE, ADHESIVE BACKED, 4 WAY, 3/4, ABS | 13-002165 | 4 | Not Sellable |
| 13 | STANDOFF, HEX, 6-32, M/F, 1/4 L | 14-0031 | 4 | Not Sellable |
| 14 | WASHER, LOCK, EXTERNAL TOOTH, #10, SS | 21-001401 | 3 | Spare Part |
| 15 | SCREW, MACHINE, PAN HEAD, PHILLIPS, #6-32, 1/4, SS | 21-003721-0004 | 2 | Not Sellable |
| 16 | SCREW, MACHINE, PAN HEAD, PHILLIPS, #8-32, 5/16, SS | 21-003722-0005 | 2 | Not Sellable |
| 17 | SCREW, MACHINE, PAN HEAD, PHILLIPS, #8-32, 1.375, SS | 21-003722-0022 | 4 | Not Sellable |
| 18 | SCREW, MACHINE, FLAT HEAD, PHILLIPS, #6-32, 1/4, SS | 21-004277-0004 | 4 | Not Sellable |
| 19 | NUT, LOCK, HEX, TOOTH WASHER, COARSE THREAD, #6-32, SS | 21-004542 | 4 | Not Sellable |
| 20 | NUT, LOCK, HEX, TOOTH WASHER, COARSE THREAD, #8-32, SS | 21-004544 | 4 | Not Sellable |
| 21 | NUT, LOCK, HEX, TOOTH WASHER, FINE THREAD, #10-32, SS | 21-004545 | 2 | Spare Part |
| 22 | SCREW, PAN HEAD, PHILLIPS, W/EXT WASHER, #8-32, 3/8, SS | 21-005034-0006 | 4 | Not Sellable |
| 23 | SCREW, PAN HEAD, PHILLIPS, W/EXT WASHER, FT, #6-32, 1/4, SS | 21-005087-0004 | 4 | Spare Part |
| 24 | SCREW, PAN HEAD, PHILLIPS, W/EXT WASHER, #6-32, 3/8, SS | 21-005087-0006 | 12 | Not Sellable |
| 25 | SCREW, MACHINE, PAN HEAD, PHILLIPS, #2-56, 1/4, SS | 21-006867-0004 | 2 | Not Sellable |
| 26 | ADHESIVE, THREADLOCK, LOW STRENGTH, PURPLE | 22-001606 | A/R | Not Sellable |
| 27 | LABEL, GROUND SYMBOL, 3/4, GREEN/WHITE, POLYESTER | 31-004034 | 1 | Not Sellable |
| 28 | FITTING, ADAPTER, BARB, 3/16T ID, 1/4 STEM, ACETAL | 32-001021 | 1 | Spare Part |
| 29 | TUBING, SEMI-CLEAR, WHITE, SOFT, 1/8 ID, 1/4 OD, SILICONE | 32-007218-0002 | 7.25" | Not Sellable |
| 30 | FITTING, UNION BULKHEAD, 1/4 PTC, PLASTIC | 32-008550 | 1 | Not Sellable |
| 31 | TUBING, OPAQUE, BLACK, SOFT, 1/8 ID, 1/4 OD, SILICONE | 32-010738 | 12" | Not Sellable |
| 32 | PLATE, EXTENSION, POWER SUPPLY, 1405 | 38-010420 | 2 | Spare Part |
| 33 | PLATE, MOUNTING, | 38-010421 | 1 | Not Sellable |
| 34 | ASSY, ENCLOSURE, BASE, 1405 | 38-010743 | 1 | Spare Part |
| 35 | PCB, HEAD CONTROLLER, 1405 | 50-009783 | 1 | Spare Part |
| 36 | PCB, POWER DISTRIBUTION, 1405 | 50-010459 | 1 | Spare Part |
| 37 | PCB, CONNECTOR INTERFACE, 1405 | 50-010460 | 1 | Spare Part |
| 38 | ASSY, BOARD, INTERFACE, 1405 | 50-011199 | 1 | Not Sellable |
| 39 | ASSY, CABLE, GROUND, POWER DISTRIBUTION, 1405 | 51-010779 | 1 | Not Sellable |
| 40 | ASSY, CABLE, POWER SWITCH, POWER DISTRIBUTION, 1405 | 51-010780 | 1 | Not Sellable |
| 41 | ASSY, CABLE, POWER SUPPLY, POWER DISTRIBUTION, 1405 | 51-010781 | 1 | Not Sellable |
| 42 | ASSY, CABLE, POWER DISTRIBUTION, MAIN POWER, 1405 | 51-010783 | 1 | Not Sellable |
| 43 | ASSY, CABLE, INTERFACE, POWER DISTRIBUTION, 1405 | 51-010785 | 1 | Not Sellable |
| 44 | ASSY, CABLE, HEAD CONTROL, POWER DISTRIBUTION, 1405 | 51-010788 | 1 | Spare Part |
| 45 | ASSY, CABLE, HEAD CONTROL, INTERFACE, 1405 | 51-010793 | 1 | Spare Part |
| 46 | ASSY, CABLE, BACK PANEL, INTERFACE, 34 PIN, 1405 | 51-010797 | 1 | Not Sellable |

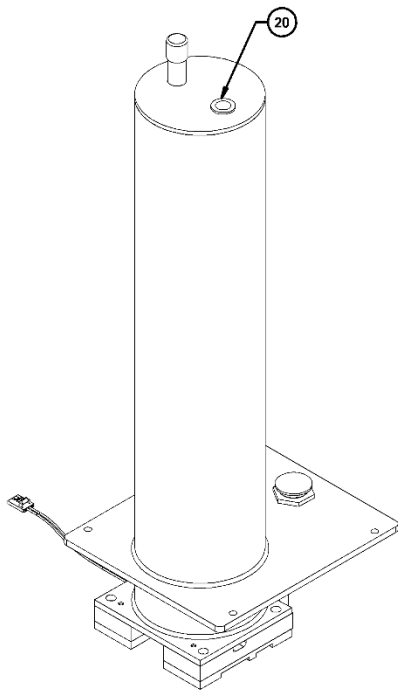
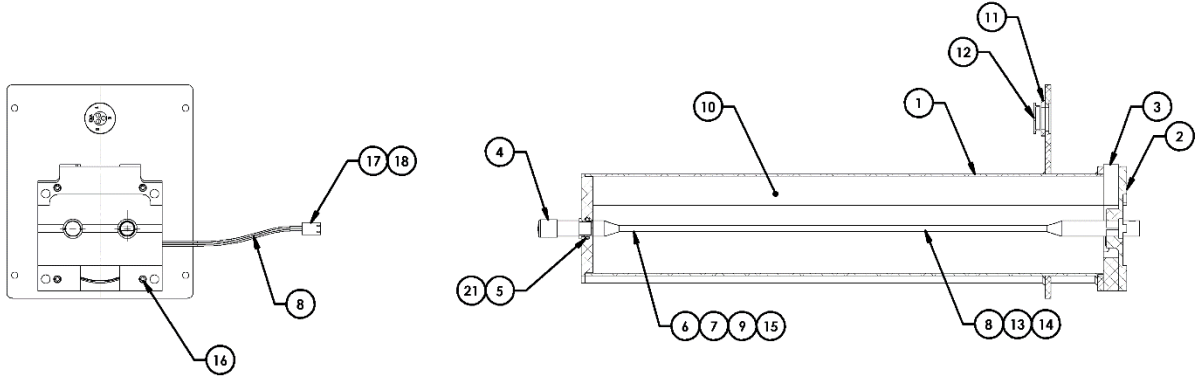
| | | | | |
|----|--|-----------|-----|--------------|
| 47 | ASSY, CABLE, BACK PANEL, INTERFACE, 40 PIN, 1405 | 51-010798 | 1 | Spare Part |
| 48 | ASSY, CABLE, HEAD CONTROL, INTERFACE, 1405 | 51-010799 | 1 | Not Sellable |
| 49 | ASSY, CABLE, HEAD INTERFACE, HEAD CONTROL, 1405 | 51-010804 | 1 | Not Sellable |
| 50 | ASSY, CABLE, HEATER INTERFACE, HEAD CONTROL, 1405 | 51-010805 | 1 | Spare Part |
| 51 | ASSY, CABLE, BULKHEAD ANEM, INTERFACE, 1405 | 51-010809 | 1 | Not Sellable |
| 52 | ASSY, CABLE, BULKHEAD RH/T, INTERFACE, 1405 | 51-010810 | 1 | Spare Part |
| 53 | ASSY, CABLE, EXTERNAL RS485, INTERFACE, 1405 | 51-010811 | 1 | Not Sellable |
| 54 | ASSY, CABLE, INTERFACE, USB, 1405 | 51-011049 | 1 | Spare Part |
| 55 | ASSY, CORCOM, 1405 | 52-011195 | 1 | Not Sellable |
| 56 | ASSEMBLY, FAN, BASE, 1405 | 54-011196 | 1 | Spare Part |
| 57 | ASSY, MANIFOLD, 1405 | 55-011198 | 1 | Not Sellable |
| 58 | ASSY, DOOR PANEL/DISPLAY | 56-010414 | 1 | Spare Part |
| 59 | PROCEDURE, FINAL TEST, COMMON ELECTRONICS, 1405 | xxx | 1 | Not Sellable |
| 60 | INSTRUCTIONS, WORK, ASSY, COMMON ELECTRONICS, 1405 | xxx | REF | Not Sellable |
| 61 | TAPE, KAPTON, 2 MIL, 1" WIDE | 112238-00 | 2.5 | Not Sellable |
| 62 | ASSY, CABLE, JUMPER, GROUNDING | 112276-00 | 1 | Not Sellable |

1405D/DF Air Tube Assy P/N: 56-010422



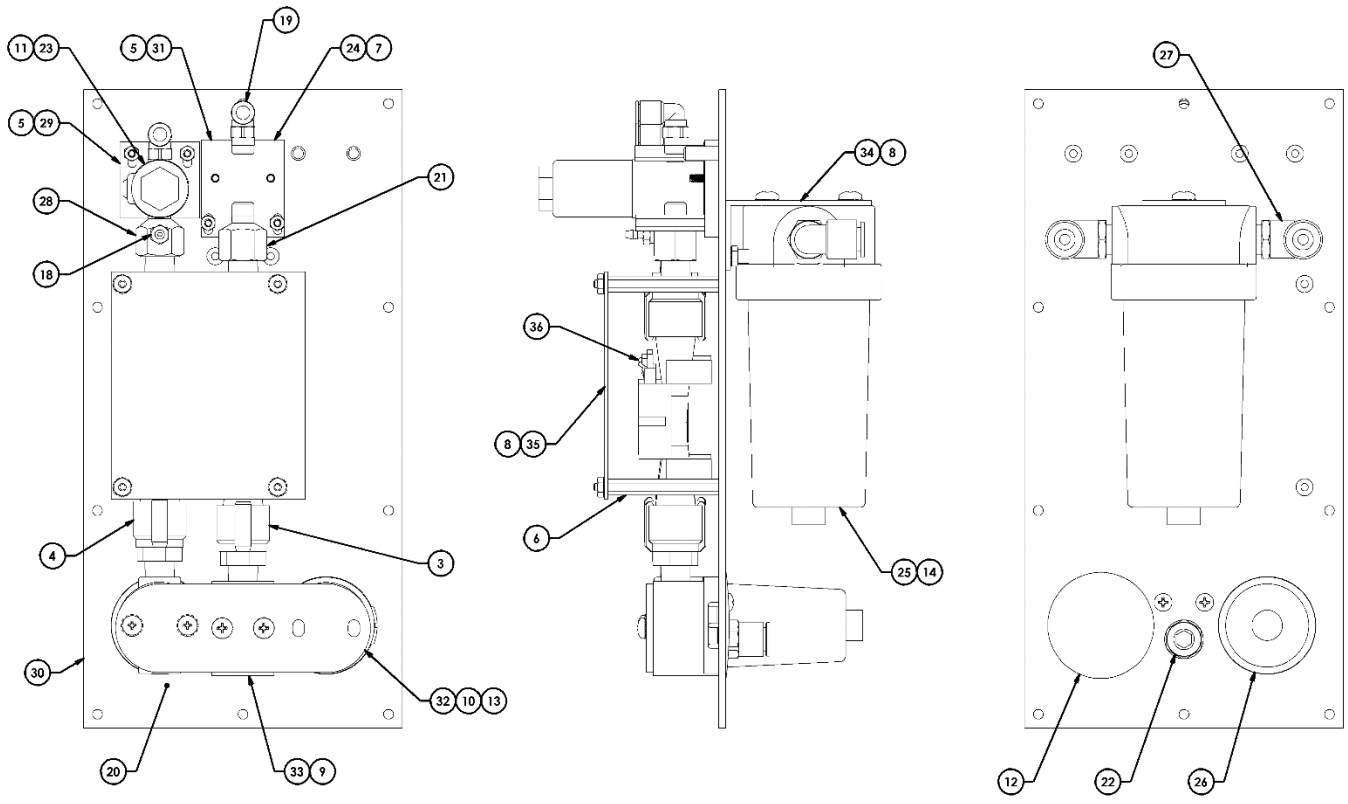
| ITEM | DESCRIPTION | PART NO. | QTY | Component |
|------|--|----------------|-----|--------------|
| 1 | WELDMENT, AIR TUBE SUPPORT | 37-011975 | 1 | Not Sellable |
| 2 | WELDMENT, AIR TUBE CLAMP | 37-010437 | 1 | Spare Part |
| 3 | SPACER, AIR TUBE SUPPORT | 36-010438 | 1 | Not Sellable |
| 4 | CAP, ROUND, PUSH-ON | 20-006705 | 2 | Not Sellable |
| 5 | O-RING, .487 ID, .693 OD, .103 CSD, BUNA-N | 22-000485-1112 | 2 | Spare Part |
| 6 | TUBE, SAMPLE INLET | 36-010439 | 2 | Not Sellable |
| 7 | TAPE, HEATING, 36", 48 OHM | 12-010721 | 2 | Not Sellable |
| 8 | THERMOSTAT, SNAP ACTION, 125°C | 04-003314 | 2 | Not Sellable |
| 9 | TAPE, PERMECEL, 1.00 X .020 THK | 12-000506 | 80" | Spare Part |
| 10 | KIT, INSULATION, AIR TUBE | 55-011296 | 1 | Not Sellable |
| 11 | CONNECTOR, PANEL SOCKET, 3 PIN | 06-002785 | 1 | Not Sellable |
| 12 | CAP, CIRCULAR CONNECTOR, WEATHERTITE | 06-002787 | 1 | Not Sellable |
| 13 | TUBING, HEATSHRINK, 1/8, POLYOLEFIN | 13-000870-0002 | 4" | Spare Part |
| 14 | TUBING, HEAT SHRINK, 1/4, POLYOLEFIN | 13-000870 | 3" | Not Sellable |
| 15 | TAPE, ELECTR., GLASS CLOTH, 3/4 | 12-000723 | 12" | Not Sellable |
| 16 | SCREW, CAP, SOCKET HEAD, FULL THREAD, #6-32, 3/4, SS | 21-000818-0012 | 4 | Not Sellable |
| 17 | CONNECTOR, AMPMODU, 4 POS | 06-005004-0004 | 2 | Not Sellable |
| 18 | CONTACT, CRIMP, FEMALE, 22-26 AWG | 06-005005 | 1 | Spare Part |
| 19 | WI, ASSY AIR TUBE CLAMP | xxx | REF | Not Sellable |
| 20 | GREASE, HIGH-VACUUM, SILICONE COMPOUND | 22-010840 | A/R | Not Sellable |

1405/F Air Tube Assy P/N: 56-010960



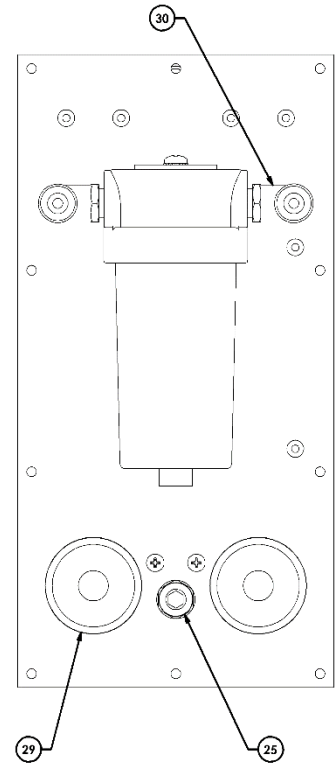
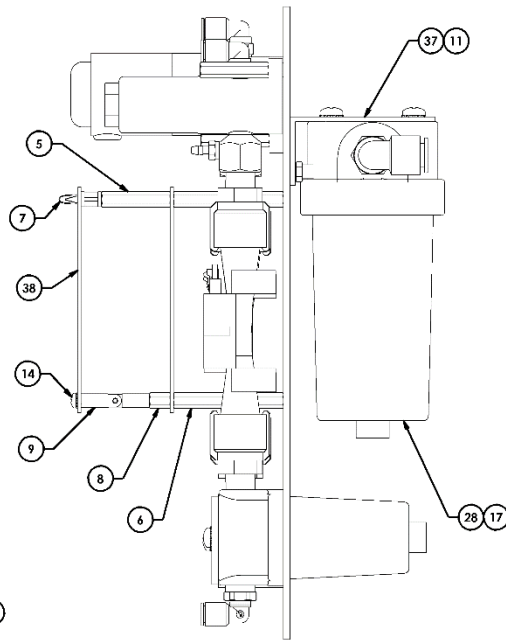
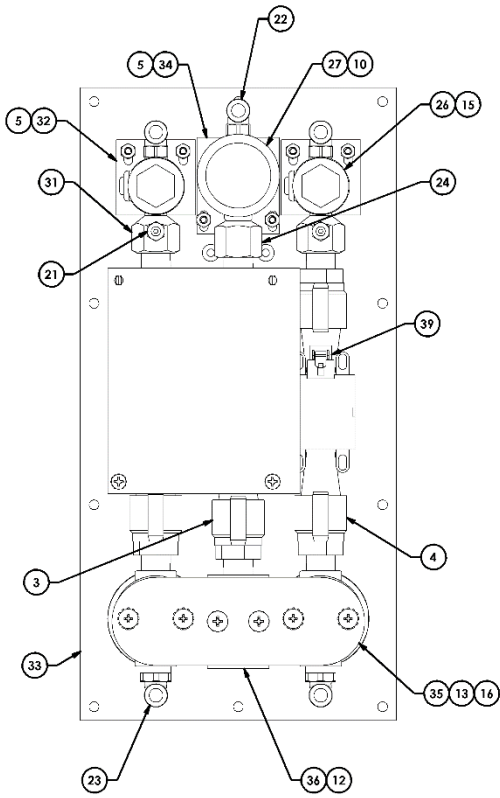
| ITEM | DESCRIPTION | PART NO. | QTY | Component |
|------|--|----------------|-----|--------------|
| 1 | WELDMENT, AIR TUBE SUPPORT | 37-011975 | 1 | Not Sellable |
| 2 | WELDMENT, AIR TUBE CLAMP | 37-010437 | 1 | Spare Part |
| 3 | SPACER, AIR TUBE SUPPORT | 36-010438 | 1 | Not Sellable |
| 4 | CAP, ROUND, PUSH-ON | 20-006705 | 1 | Not Sellable |
| 5 | O-RING, .487 ID, .693 OD, .103 CSD, BUNA-N | 22-000485-1112 | 2 | Spare Part |
| 6 | TUBE, SAMPLE INLET | 36-010439 | 1 | Not Sellable |
| 7 | TAPE, HEATING, 36", 48 OHM | 12-010721 | 2 | Not Sellable |
| 9 | TAPE, PERMECEL, 1.00 X .020 THK | 12-000506 | 40" | Spare Part |
| 10 | KIT, INSULATION, AIR TUBE | 55-011296 | 1 | Not Sellable |
| 11 | CONNECTOR, PANEL SOCKET, 3 PIN | 06-002785 | 1 | Not Sellable |
| 12 | CAP, CIRCULAR CONNECTOR, WEATHERTITE | 06-002787 | 1 | Not Sellable |
| 13 | TUBING, HEATSHRINK, 1/8, POLYOLEFIN | 13-000870-0002 | 2" | Spare Part |
| 14 | TUBING, HEAT SHRINK, 1/4, POLYOLEFIN | 13-000870 | 2" | Not Sellable |
| 15 | TAPE, ELECTR., GLASS CLOTH, 3/4 | 12-000723 | 6" | Not Sellable |
| 16 | SCREW, CAP, SOCKET HEAD, FULL THREAD, #6-32, 3/4, SS | 21-000818-0012 | 4 | Not Sellable |
| 17 | CONNECTOR, AMPMODU, 4 POS | 06-005004-0004 | 1 | Not Sellable |
| 18 | CONTACT, CRIMP, FEMALE, 22-26 AWG | 06-005005 | 2 | Spare Part |
| 19 | WI, ASSY AIR TUBE CLAMP | xxx | REF | Not Sellable |
| 20 | PLUG, PROTECTIVE, FITS 1/2" HOLE | 20-006742 | 1 | Not Sellable |
| 21 | GREASE, HIGH-VACUUM, SILICONE COMPOUND | 22-010840 | A/R | Not Sellable |

Mass Flow Controller Assy, Single P/N: 55-010750



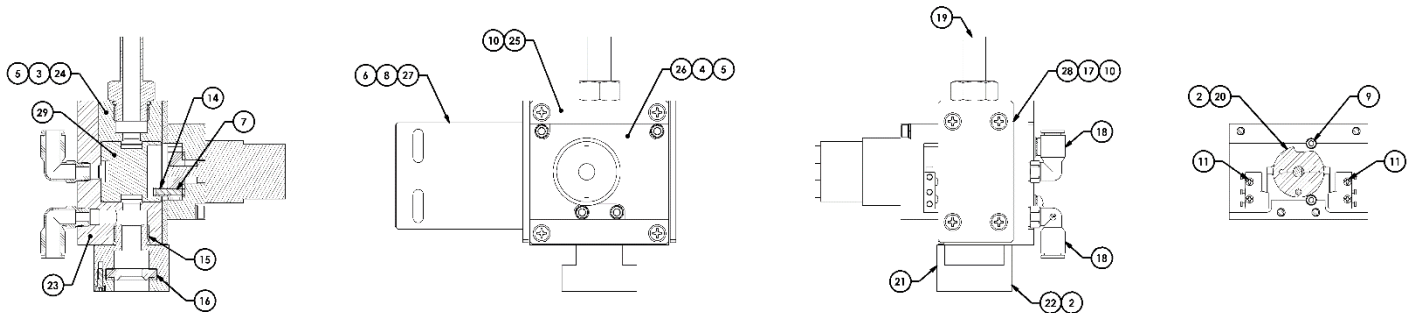
| ITEM | DESCRIPTION | PART NO. | QTY | Component |
|------|---|----------------|-----|--------------|
| 1 | HOUSING, RECEPTACLE, FEMALE, 2 POSITION | 06-000510-0002 | 2 | Not Sellable |
| 2 | CONTACT, CRIMP, FEMALE, 18-24 AWG | 06-000511 | 4 | Not Sellable |
| 3 | SENSOR, MASS AIRFLOW, 0-20 SLPM, 1-5 VDC, 1/4 NPT | 10-002415 | 1 | Spare Part |
| 4 | SENSOR, MASS AIRFLOW, 0-5 SLPM, 1-5 VDC, 1/4 NPT | 10-003312 | 1 | Spare Part |
| 5 | STANDOFF, HEX, THREADED, F/F, 1/4, #6-32, 1.25L, AL | 12-000558-0020 | 4 | Not Sellable |
| 6 | STANDOFF, HEX, THREADED, M/F, 1/4, #6-32, 2.00L, AL | 12-002041-0032 | 4 | Not Sellable |
| 7 | SCREW, MACHINE, FLAT HEAD, PHILLIPS, #6-32, 1/2, SS | 21-004277-0008 | 2 | Not Sellable |
| 8 | NUT, LOCK, HEX, TOOTH WASHER, COARSE THREAD, #6-32, SS | 21-004542 | 6 | Not Sellable |
| 9 | SCREW, PAN HEAD, PHILLIPS, W/EXT WASHER, #8-32, 3/8, SS | 21-005034-0006 | 2 | Not Sellable |
| 10 | SCREW, PAN HEAD, PHILLIPS, W/EXT WASHER, #10-32, 3/8, SS | 21-005035-0006 | 2 | Not Sellable |
| 11 | SCREW, MACHINE, FLAT HEAD, PHILLIPS, FULL THD, #8-32, 1/2, SS | 21-006054-0008 | 2 | Not Sellable |
| 12 | PLUG, HOLE, PUSH-IN, 1.75 DIA, NYLON, BLACK | 21-011051 | 1 | Not Sellable |
| 13 | SCREW, PAN HEAD, PHILLIPS, W/EXT WASHER, M5, 10MM, SS | 21-011941-0010 | 2 | Not Sellable |
| 14 | SCREW, PAN HEAD, PHILLIPS, W/EXT WASHER, M6, 12MM, SS | 21-011942-0012 | 2 | Not Sellable |
| 15 | TAPE, SEALANT, PIPE THREAD, 1/2 WIDE, .0028 THICK | 22-000893 | A/R | Not Sellable |
| 16 | ADHESIVE, THREADLOCK, LOW STRENGTH, PURPLE | 22-001606 | A/R | Not Sellable |
| 17 | TUBING, POLYETHYLENE, 3/8 OD X 1/4 ID, BLACK | 24-002603 | 10" | Spare Part |
| 18 | FITTING, STRAIGHT, BARB, 1/8 TUBE, #10-32, BRASS | 32-000509 | 1 | Not Sellable |
| 19 | FITTING, MALE, ELBOW, 1/4 X 1/8NPT, POLYMER | 32-007133 | 2 | Spare Part |
| 20 | FITTING, ELBOW, SWIVEL, 1/4T OD, 1/4 NPT, PTC | 32-007136 | 1 | Not Sellable |
| 21 | FITTING, ADAPTER, 1/4 FNPT, 1/8 NPT, BRASS | 32-007690 | 1 | Spare Part |
| 22 | FITTING, CONNECTOR, PTC, 3/8T, 1/4 NPT | 32-008758 | 1 | Spare Part |
| 23 | VALVE, PROPORTIONAL, 2 WAY, 1/8 NPT PORTS, SS | 32-009088 | 1 | Spare Part |
| 24 | VALVE, PROPORTIONAL, 2 WAY, 1/8 NPT PORTS, BRASS, SS | 32-009243 | 1 | Spare Part |
| 25 | FILTER, BOWL STYLE, 170CC, 1/4 NPT, NYLON | 32-010427 | 1 | Spare Part |
| 26 | FILTER, BOWL STYLE, 50CC, 1/4 NPT, NYLON | 32-010428 | 1 | Spare Part |
| 27 | FITTING, ELBOW, PTC, 3/8T OD, 1/4M NPT, BRASS | 32-010432 | 2 | Spare Part |
| 28 | FITTING, ADAPTER, MOD, 1/4, | 35-007673 | 1 | Not Sellable |
| 29 | PLATE, BASE, VALVE, 5 LITER, | 36-009866 | 1 | Not Sellable |
| 30 | PLATE, MOUNTING, SENSOR, MASS FLOW CONTROLLER | 36-009867 | 1 | Spare Part |
| 31 | PLATE, BASE, VALVE, 20 LITER, | 36-009868 | 1 | Not Sellable |
| 32 | PLATE, MOUNTING, FILTER, | 36-010332 | 1 | Not Sellable |
| 33 | BLOCK, MANIFOLD, VACUUM, | 36-010723 | 1 | Not Sellable |
| 34 | BRACKET, MOUNTING, FILTER, | 38-010426 | 1 | Not Sellable |
| 35 | ASSY, PCB, FLOW CONTROL BOARD | 50-008596 | 1 | Spare Part |
| 36 | ASSY, CABLE, MFC TO MFS | 51-004656 | 2 | Spare Part |

Mass Flow Controller Assy, Dichot P/N: 55-010022



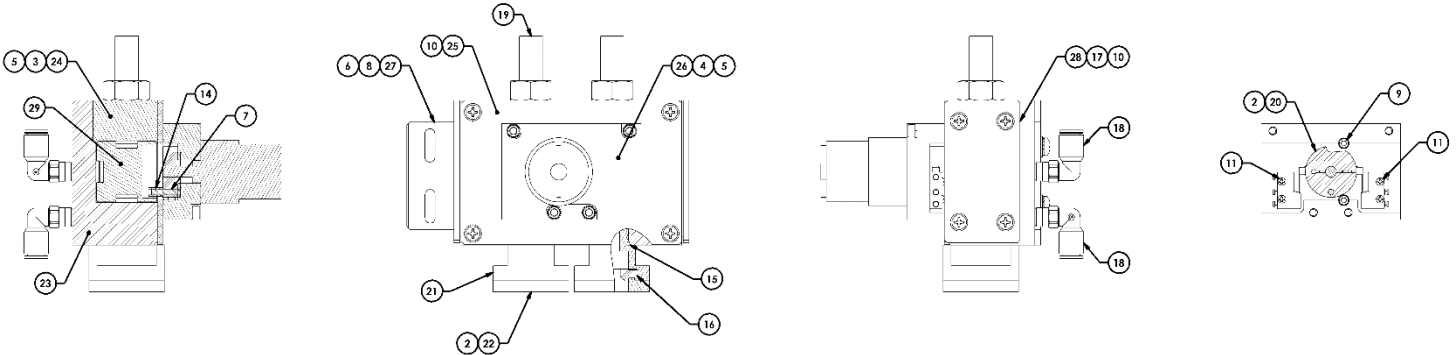
| ITEM | DESCRIPTION | PART NO. | QTY | Component |
|------|---|----------------|-----|--------------|
| 1 | HOUSING, RECEPTACLE, FEMALE, 2 POSITION | 06-000510-0002 | 3 | Not Sellable |
| 2 | CONTACT, CRIMP, FEMALE, 18-24 AWG | 06-000511 | 6 | Not Sellable |
| 3 | SENSOR, MASS AIRFLOW, 0-20 SLPM, 1-5 VDC, 1/4 NPT | 10-002415 | 1 | Spare Part |
| 4 | SENSOR, MASS AIRFLOW, 0-5 SLPM, 1-5 VDC, 1/4 NPT | 10-003312 | 2 | Spare Part |
| 5 | STANDOFF, HEX, THREADED, F/F, 1/4, #6-32, 1.25L, AL | 12-000558-0020 | 8 | Not Sellable |
| 6 | STANDOFF, HEX, THREADED, M/F, 1/4, #6-32, 2.00L, AL | 12-002041-0032 | 4 | Not Sellable |
| 7 | SUPPORT, CIRCUIT BOARD, 3/8L, #6-32, NYLON | 12-003825-0006 | 2 | Spare Part |
| 8 | STANDOFF, HEX, THREADED, M/F, 1/4, #6-32, 3/8L, BRASS | 12-004551-0006 | 2 | Not Sellable |
| 9 | STANDOFF, THREADED, F/F, HINGED, #6-32, 1.25L, BRASS | 12-010722 | 2 | Not Sellable |
| 10 | SCREW, MACHINE, FLAT HEAD, PHILLIPS, #6-32, 1/2, SS | 21-004277-0008 | 2 | Not Sellable |
| 11 | NUT, LOCK, HEX, TOOTH WASHER, COARSE THREAD, #6-32, SS | 21-004542 | 2 | Not Sellable |
| 12 | SCREW, PAN HEAD, PHILLIPS, W/EXT WASHER, #8-32, 3/8, SS | 21-005034-0006 | 2 | Not Sellable |
| 13 | SCREW, PAN HEAD, PHILLIPS, W/EXT WASHER, #10-32, 3/8, SS | 21-005035-0006 | 2 | Not Sellable |
| 14 | SCREW, PAN HEAD, PHILLIPS, W/EXT WASHER, #6-32, 3/8, SS | 21-005087-0006 | 2 | Not Sellable |
| 15 | SCREW, MACHINE, FLAT HEAD, PHILLIPS, FULL THD, #8-32, 1/2, SS | 21-006054-0008 | 4 | Not Sellable |
| 16 | SCREW, PAN HEAD, PHILLIPS, W/EXT WASHER, M5, 10MM, SS | 21-011941-0010 | 4 | Not Sellable |
| 17 | SCREW, PAN HEAD, PHILLIPS, W/EXT WASHER, M6, 12MM, SS | 21-011942-0012 | 2 | Not Sellable |
| 18 | TAPE, SEALANT, PIPE THREAD, 1/2 WIDE, .0028 THICK | 22-000893 | A/R | Not Sellable |
| 19 | ADHESIVE, THREADLOCK, LOW STRENGTH, PURPLE | 22-001606 | A/R | Not Sellable |
| 20 | TUBING, POLYETHYLENE, 3/8 OD X 1/4 ID, BLACK | 24-002603 | 10" | Spare Part |
| 21 | FITTING, STAIGHT, BARB, 1/8 TUBE, #10-32, BRASS | 32-000509 | 2 | Not Sellable |
| 22 | FITTING, MALE, ELBOW, 1/4 X 1/8NPT, POLYMER | 32-007133 | 3 | Spare Part |
| 23 | FITTING, ELBOW, SWIVEL, 1/4T OD, 1/4 NPT, PTC | 32-007136 | 2 | Not Sellable |
| 24 | FITTING, ADAPTER, 1/4 FNPT, 1/8 NPT, BRASS | 32-007690 | 1 | Spare Part |
| 25 | FITTING, CONNECTOR, PTC, 3/8T, 1/4 NPT | 32-008758 | 1 | Spare Part |
| 26 | VALVE, PROPORTIONAL, 2 WAY, 1/8 NPT PORTS, SS | 32-009088 | 2 | Spare Part |
| 27 | VALVE, PROPORTIONAL, 2 WAY, 1/8 NPT PORTS, BRASS, SS | 32-009243 | 1 | Spare Part |
| 28 | FILTER, BOWL STYLE, 170CC, 1/4 NPT, NYLON | 32-010427 | 1 | Spare Part |
| 29 | FILTER, BOWL STYLE, 50CC, 1/4 NPT, NYLON | 32-010428 | 2 | Spare Part |
| 30 | FITTING, ELBOW, PTC, 3/8T OD, 1/4M NPT, BRASS | 32-010432 | 2 | Spare Part |
| 31 | FITTING, ADAPTER, MOD, 1/4, | 35-007673 | 2 | Not Sellable |
| 32 | PLATE, BASE, VALVE, 5 LITER, | 36-009866 | 2 | Not Sellable |
| 33 | PLATE, MOUNTING, SENSOR, MASS FLOW CONTROLLER | 36-009867 | 1 | Spare Part |
| 34 | PLATE, BASE, VALVE, 20 LITER, | 36-009868 | 1 | Not Sellable |
| 35 | PLATE, MOUNTING, FILTER, | 36-010332 | 1 | Not Sellable |
| 36 | BLOCK, MANIFOLD, VACUUM, | 36-010723 | 1 | Not Sellable |
| 37 | BRACKET, MOUNTING, FILTER, | 38-010426 | 1 | Not Sellable |
| 38 | ASSY, PCB, FLOW CONTROL BOARD | 50-008596 | 2 | Spare Part |
| 39 | ASSY, CABLE, MFC TO MFS | 51-004656 | 3 | Spare Part |
| 40 | ASSY, CABLE, CONT #1 TO CONT #2 | 51-010800 | 1 | Spare Part |

Diverter Valve Assy, Single P/N: 56-011933



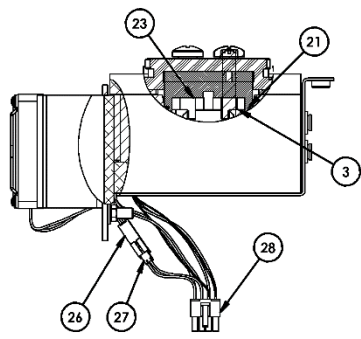
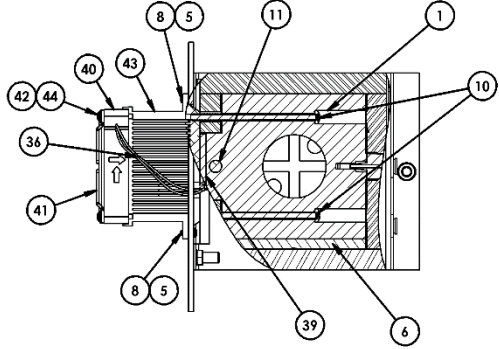
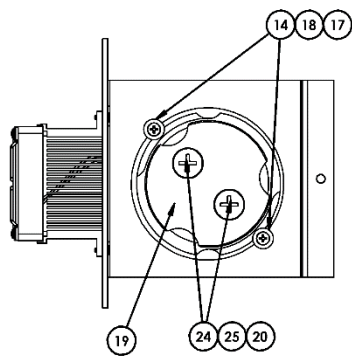
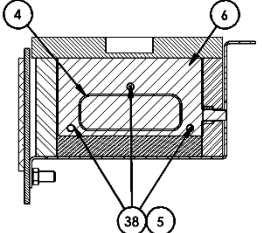
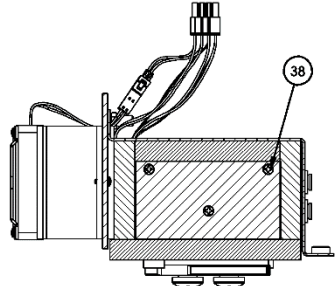
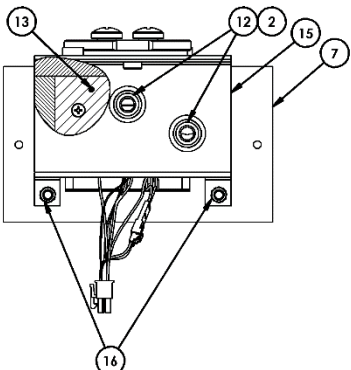
| ITEM | DESCRIPTION | PART NO. | QTY | Component |
|------|--|----------------|-----|--------------|
| 1 | TIE, CABLE, 8.00, NYLON, BLACK | 13-002807 | 1 | Not Sellable |
| 2 | SCREW, CAP, SOCKET HEAD, FULL THREAD, #4-40, 3/8, SS | 21-000814-0006 | 4 | Not Sellable |
| 3 | SCREW, CAP, SOCKET, HD, #8-32 X 1/2, SS | 21-000826-0008 | 2 | Not Sellable |
| 4 | SCREW, CAP, SOCKET HEAD, #8-32, 1.00, SS | 21-000826-0016 | 4 | Not Sellable |
| 5 | WASHER, LOCK, HELICAL SPRING, REGULAR, #8, SS | 21-000846 | 6 | Not Sellable |
| 6 | WASHER, FLAT, GENERIC, NARROW, #10, SS | 21-001293 | 2 | Not Sellable |
| 7 | PIN, DOWEL, HARDENED, STANDARD, 1/8 DIA, 5/8 LG, STL | 21-001996-0010 | 1 | Not Sellable |
| 8 | SCREW, PAN HEAD, PHILLIPS, W/EXT WASHER, #10-32, 1/2, SS | 21-005035-0008 | 2 | Not Sellable |
| 9 | SCREW, CAP, SOCKET HEAD, FULL THREAD, M3, 16MM, SS | 21-005364-0016 | 2 | Not Sellable |
| 10 | SCREW, MACHINE, FLAT HEAD, PHILLIPS, #8-32, 3/8, SS | 21-006054-0006 | 12 | Not Sellable |
| 11 | SCREW, MACHINE, PAN HEAD, PHILLIPS, #2-56, 3/8, SS | 21-006867-0006 | 4 | Not Sellable |
| 12 | ADHESIVE, THREADLOCK, LOW STRENGTH, PURPLE | 22-001606 | A/R | Not Sellable |
| 13 | GREASE, SILICONE, ELECTRICAL INSULATING | 22-004489 | A/R | Spare Part |
| 14 | BEARING, SLEEVE, BRONZE, | 22-010281 | 1 | Spare Part |
| 15 | O-RING, BUNA, 17MM X 2MM CORD | 22-011617 | 1 | Spare Part |
| 16 | SEAL, COUPLER ISOLATION | 30-011488 | 1 | Spare Part |
| 17 | GASKET, END PLATE, DIVERTER VALVE | 30-011984 | 2 | Not Sellable |
| 18 | FITTING, ELBOW, SWIVEL, 5/16T OD, 1/8 NPT, PTC | 32-010445 | 2 | Spare Part |
| 19 | FITTING, ADAPTER, 3/4-16, 1/2 TUBE, SS | 32-010767 | 1 | Spare Part |
| 20 | CAM, ACTUATOR, 1405 VALVE | 36-009849 | 1 | Not Sellable |
| 21 | BASE, COUPLER, VALVE, 1405 | 36-011486 | 1 | Not Sellable |
| 22 | COVER, COUPLER, 1405 VALVE | 36-011487 | 1 | Spare Part |
| 23 | BLOCK, BOTTOM, DIVERTER VALVE, SINGLE | 36-011919 | 1 | Not Sellable |
| 24 | BLOCK, TOP, DIVERTER VALVE, SINGLE | 36-011920 | 1 | Not Sellable |
| 25 | PLATE, COVER, DIVERTER VALVE, SINGLE | 36-011921 | 1 | Not Sellable |
| 26 | PLATE, MOUNTING, MOTOR, DIVERTER VALVE | 36-011931 | 1 | Not Sellable |
| 27 | BRACKET, MOUNTING, | 38-011922 | 1 | Not Sellable |
| 28 | PLATE, END, DIVERTER VALVE | 38-011985 | 2 | Not Sellable |
| 29 | ASSY, BLOCK, DIVERTER VALVE, SINGLE | 55-011924 | 1 | Not Sellable |
| 30 | ASSY, CABLE, MOTOR-VALVE SWITCH | 56-010818 | 1 | Not Sellable |

Diverter Valve Assy, Dichot P/N: 56-011934



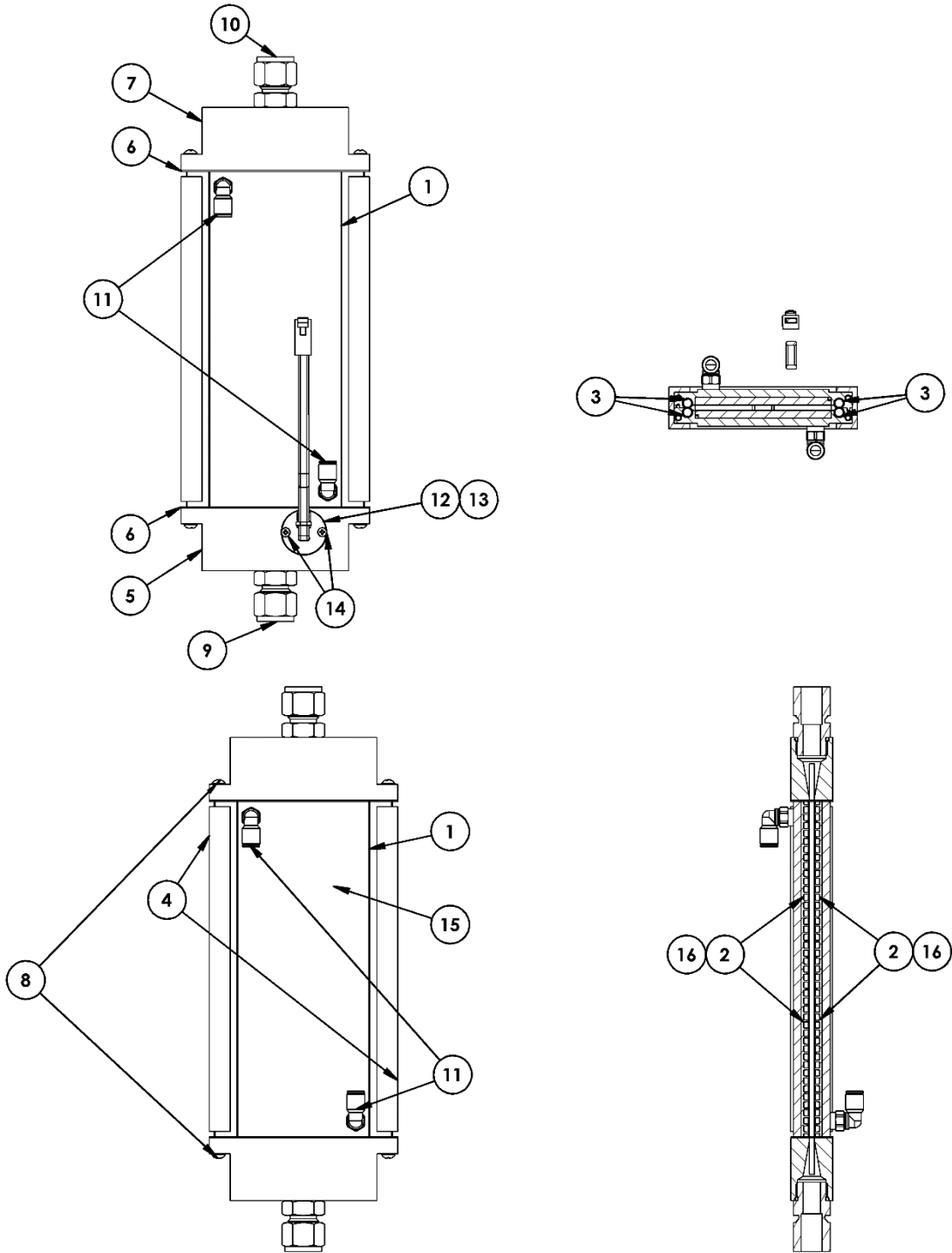
| ITEM | DESCRIPTION | PART NO. | QTY | Component |
|------|--|----------------|-----|--------------|
| 1 | TIE, CABLE, 8.00, NYLON, BLACK | 13-002807 | 1 | Not Sellable |
| 2 | SCREW, CAP, SOCKET HEAD, FULL THREAD, #4-40, 3/8, SS | 21-000814-0006 | 7 | Not Sellable |
| 3 | SCREW, CAP, SOCKET, HD, #8-32 X 1/2, SS | 21-000826-0008 | 2 | Not Sellable |
| 4 | SCREW, CAP, SOCKET HEAD, #8-32, 1.00, SS | 21-000826-0016 | 4 | Not Sellable |
| 5 | WASHER, LOCK, HELICAL SPRING, REGULAR, #8, SS | 21-000846 | 6 | Not Sellable |
| 6 | WASHER, FLAT, GENERIC, NARROW, #10, SS | 21-001293 | 2 | Not Sellable |
| 7 | PIN, DOWEL, HARDENED, STANDARD, 1/8 DIA, 5/8 LG, STL | 21-001996-0010 | 1 | Not Sellable |
| 8 | SCREW, PAN HEAD, PHILLIPS, W/EXT WASHER, #10-32, 1/2, SS | 21-005035-0008 | 2 | Spare Part |
| 9 | SCREW, CAP, SOCKET HEAD, FULL THREAD, M3, 16MM, SS | 21-005364-0016 | 2 | Not Sellable |
| 10 | SCREW, MACHINE, FLAT HEAD, PHILLIPS, #8-32, 3/8, SS | 21-006054-0006 | 12 | Not Sellable |
| 11 | SCREW, MACHINE, PAN HEAD, PHILLIPS, #2-56, 3/8, SS | 21-006867-0006 | 4 | Not Sellable |
| 12 | ADHESIVE, THREADLOCK, LOW STRENGTH, PURPLE | 22-001606 | A/R | Not Sellable |
| 13 | GREASE, SILICONE, ELECTRICAL INSULATING | 22-004489 | A/R | Spare Part |
| 14 | BEARING, SLEEVE, BRONZE, | 22-010281 | 1 | Spare Part |
| 15 | O-RING, BUNA, 17MM X 2MM CORD | 22-011617 | 2 | Spare Part |
| 16 | SEAL, COUPLER ISOLATION | 30-011488 | 2 | Spare Part |
| 17 | GASKET, END PLATE, DIVERTER VALVE | 30-011984 | 2 | Not Sellable |
| 18 | FITTING, ELBOW, SWIVEL, 5/16T OD, 1/8 NPT, PTC | 32-010445 | 4 | Spare Part |
| 19 | FITTING, ADAPTER, 3/4-16, 1/2 TUBE, SS | 32-010767 | 2 | Spare Part |
| 20 | CAM, ACTUATOR, 1405 VALVE | 36-009849 | 1 | Not Sellable |
| 21 | BASE, COUPLER, VALVE, 1405 | 36-011486 | 2 | Not Sellable |
| 22 | COVER, COUPLER, 1405 VALVE | 36-011487 | 2 | Spare Part |
| 23 | BLOCK, BOTTOM, DIVERTER VALVE, DICHOT | 36-011897 | 1 | Not Sellable |
| 24 | BLOCK, TOP, DIVERTER VALVE, DICHOT | 36-011898 | 1 | Not Sellable |
| 25 | PLATE, COVER, DIVERTER VALVE, DICHOT | 36-011899 | 1 | Not Sellable |
| 26 | PLATE, MOUNTING, MOTOR, DIVERTER VALVE | 36-011931 | 1 | Not Sellable |
| 27 | BRACKET, MOUNTING, | 38-011900 | 1 | Not Sellable |
| 28 | PLATE, END, DIVERTER VALVE | 38-011985 | 2 | Not Sellable |
| 29 | ASSY, BLOCK, DIVERTER VALVE, DICHOT | 55-011913 | 1 | Not Sellable |
| 30 | ASSY, CABLE, MOTOR-VALVE SWITCH | 56-010818 | 1 | Not Sellable |

Assy, Base, Conditioner, Filter P/N: 56-009871



| ITEM | DESCRIPTION | PART NO. | QTY | Component |
|------|---|----------------|-----|--------------|
| 1 | BASE, CONDITIONER, | 55-009856 | 1 | Not Sellable |
| 2 | TAPE, SEALANT, PIPE THREAD, 1/2 WIDE, .0028 THICK | 22-000893 | A/R | Not Sellable |
| 3 | SEAL, V-RING, 1.700-1.889 SHAFT OD, VITON | 22-002680 | 1 | Spare Part |
| 4 | O-RING, 1.875 ID, 2.000 OD, | 22-000485-1032 | 1 | Not Sellable |
| 5 | ADHESIVE, THREADLOCK, LOW STRENGTH, PURPLE | 22-001606 | A/R | Not Sellable |
| 6 | CAP, END, BODY, 1405 F.D.M.S. CHILLER | 36-009869 | 1 | Spare Part |
| 7 | PLATE, MOUNTING, CHILLER BASE | 36-009859 | 1 | Spare Part |
| 8 | SCREW, MACHINE, PAN HEAD, PHILLIPS, #4-40, 5/16, SS | 21-003720-0005 | 2 | Not Sellable |
| 9 | THERMAL PASTE, OMEGA THERM 201 | 22-002176 | A/R | Not Sellable |
| 10 | SCREW, MACHINE, PAN HEAD, PHILLIPS, #8-32, 3", SS | 21-003722-0048 | 2 | Not Sellable |
| 11 | THERMOSTAT, CREEP ACTION, | 04-010449 | 1 | Spare Part |
| 12 | FITTING, ADAPTER, 5/16T OD, 1/8M NPT, ACETAL | 32-009411 | 2 | Not Sellable |
| 13 | CABLE ASSY, THERMISTOR, 1405/8500C | 51-010802 | 1 | Spare Part |
| 14 | RETAINER, CHILLER CAP, 1405 CONDITIONER | 36-010324 | 2 | Spare Part |
| 15 | FLANGE, SUPPORT, 1405 CONDITIONER | 38-010446 | 1 | Spare Part |
| 16 | NUT, LOCK, HEX, TOOTH WASHER, COARSE THREAD, #8-32, SS | 21-004544 | 2 | Not Sellable |
| 17 | SPACER, ROUND, .166 ID, | 12-010323 | 2 | Not Sellable |
| 18 | SCREW, MACHINE, PAN HEAD, PHILLIPS, #8-32, 5/8, SS | 21-003722-0010 | 2 | Not Sellable |
| 19 | COVER, HOLDER, FILTER, 1405 CONDITIONER | 36-009857 | 1 | Spare Part |
| 20 | SPACER, ROUND, .140 ID, | 12-010458 | 2 | Not Sellable |
| 21 | O-RING, 2.250 ID, 2.375 OD, | 22-000485-1035 | 1 | Spare Part |
| 22 | GREASE, SILICONE, ELECTRICAL INSULATING | 22-004489 | A/R | Spare Part |
| 23 | BASE, HOLDER, FILTER, 1405 CONDITIONER | 36-010425 | 1 | Spare Part |
| 24 | SCREW, MACHINE, PAN HEAD, PHILLIPS, #6-32, 3/4, SS | 21-003721-0012 | 2 | Not Sellable |
| 25 | COVER, SCREW, HINGED, #4-#6 SCREW, BLACK | 21-009054 | 2 | Not Sellable |
| 26 | HOUSING, CRIMP, WIRE TO | 06-009977-0002 | 1 | Not Sellable |
| 27 | HOUSING, CRIMP, SINGLE ROW, FEMALE, 2 POSITION | 06-002867-0002 | 1 | Not Sellable |
| 28 | HOUSING, RECEPTACLE, | 06-000510-0008 | 1 | Not Sellable |
| 29 | CONTACT, CRIMP, FEMALE, 18-24 AWG | 06-000511 | 2 | Not Sellable |
| 30 | CONTACT, CRIMP, FEMALE, 22-28 AWG | 06-000989 | 6 | Not Sellable |
| 31 | TERMINAL, CRIMP, FEMALE, | 06-002868 | 2 | Not Sellable |
| 32 | TERMINAL, CRIMP, MALE, | 06-009978 | 2 | Not Sellable |
| 33 | KIT, INSULATION, | 27-009861 | 1 | Not Sellable |
| 34 | WRAP, HARNESS, SPIRAL, | 13-000871-0002 | REF | Not Sellable |
| 35 | TIE, CABLE, 3.375 L, .10 W, NYLON | 13-000881 | 1 | Not Sellable |
| 36 | TAPE, ELECTR., GLASS CLOTH, 3/4 | 12-000723 | REF | Not Sellable |
| 37 | SEALANT, SILICONE, | 22-002598 | A/R | Not Sellable |
| 38 | SCREW, MACHINE, FLAT HEAD, PHILLIPS, #8-32, 3/8, SS | 21-006054-0006 | 3 | Not Sellable |
| 39 | MODULE, COOLING, THERMOELECTRIC | 10-012320 | 1 | Not Sellable |
| 40 | FAN, 12VDC, DUAL BALL, | 10-011624 | 1 | Not Sellable |
| 41 | GUARD, FAN, | 10-011623 | 1 | Not Sellable |
| 42 | WASHER, FLAT, #4, SS | 21-005225 | 4 | Not Sellable |
| 43 | HEAT SINK, MODIFIED | 36-012319 | 1 | Not Sellable |
| 44 | SCREW, MACHINE, PAN HEAD, PHILLIPS, FULL THD, #4-40, 1.00, SS | 21-003720-0016 | 4 | Not Sellable |

Assy, Dryer, Flat Nafion P/N: 56-009872



| ITEM | DESCRIPTION | PART NO. | QTY | Component |
|------|---|----------------|------|--------------|
| 1 | EXTRUSION, OUTER, NAFION DRYER | 36-010335 | 2 | Not Sellable |
| 2 | PLATE, RIBBED, INNER | 36-010336 | 4 | Spare Part |
| 3 | O-RING CORD, .25 DIAMETER, 8.5 L, SILICONE | 22-010339 | 34" | Spare Part |
| 4 | CLIP, FLAT NAFION DRYER | 36-010776 | 2 | Not Sellable |
| 5 | END CAP, HUM SENSOR, NAFION DRYER | 36-010334-0001 | 1 | Not Sellable |
| 6 | GASKET, END CAP, NAFION DRYER | 27-010340 | 2 | Spare Part |
| 7 | END CAP, NO HUM SENSOR, NAFION DRYER | 36-010334-0002 | 1 | Not Sellable |
| 8 | SCREW, SHEET METAL, HEX WASHER HEAD, SLOTTED, #8, 3/4, SS | 21-012125-0012 | 8 | Not Sellable |
| 9 | FITTING, TUBE, MALE, .5 OD X 3/4-16, STRAIGHT THREAD, SS | 32-010442 | 1 | Spare Part |
| 10 | FITTING, TUBE, MALE, .5 OD X 3/4-16, STRAIGHT THREAD, SS | 32-011514 | 1 | Spare Part |
| 11 | FITTING, MALE, ELBOW, 1/4 X 1/8NPT, POLYMER | 32-007133 | 4 | Spare Part |
| 12 | CABLE ASSY, 1405, HUM/TEMP SENSOR | 51-009394-1405 | 1 | Spare Part |
| 13 | O-RING, 9/16 ID, 11/16 OD, 1/16 CSD, VITON, 75 DURO. | 22-000485-3015 | 1 | Spare Part |
| 14 | SCREW, MACHINE, PAN HEAD | 21-003720-0010 | 2 | Spare Part |
| 15 | MEMBRANE, NAFION, 2 MILS, 10 X 5 X .002 THICK | 30-010355 | 2 | Spare Part |
| 16 | EPOXY, FLEXIBLE, 4-5 MIN, CLEAR | 22-009953 | 0.05 | Not Sellable |

thermo**scientific**



USA

27 Forge Parkway
Franklin, MA 02038
Ph: (866) 282-0430
Fax: (508) 520-2800
orders.aqj@thermofisher.com

India

C/327, TTC Industrial Area
MIDC Pawane
New Mumbai 400 705, India
Ph: +91 22 4157 8800
india@thermofisher.com

China

8/F Bldg C of Global Trade Ctr,
No.36, North 3rd Ring Road,
Dong Cheng District
Beijing, China 100013
Ph: +86 10 84193588
info.eid.china@thermofisher.com

Europe

Ion Path, Road Three,
Winsford, Cheshire CW73GA UK
Ph: +44 1606 548700
Fax: +44 1606 548711
sales.epm.uk@thermofisher.com

Find out more at thermofisher.com/cleanair

© 2020 Thermo Fisher Scientific Inc. All trademarks are the property of Thermo Fisher Scientific and its subsidiaries unless otherwise specified.

ThermoFisher
SCIENTIFIC