



MIC-6 Spare Parts Catalog

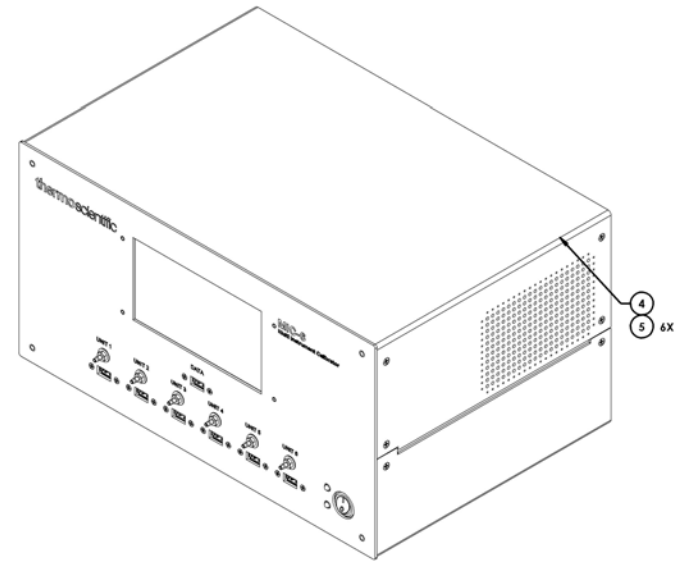
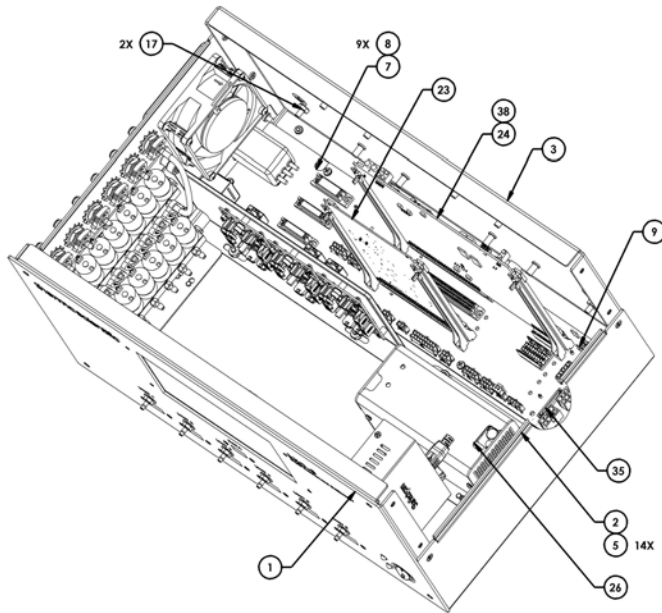
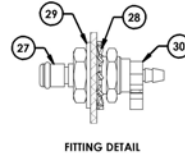
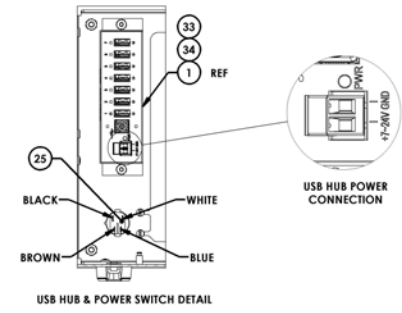
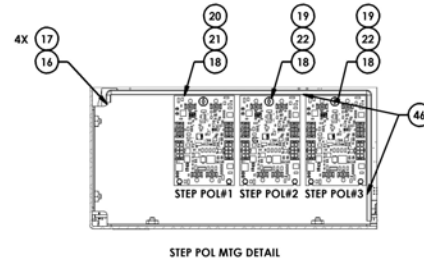
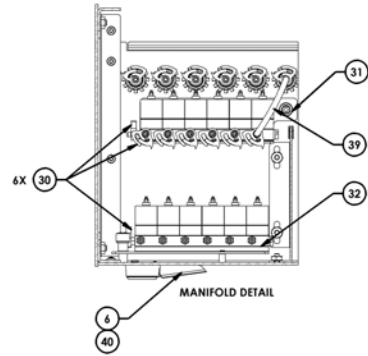
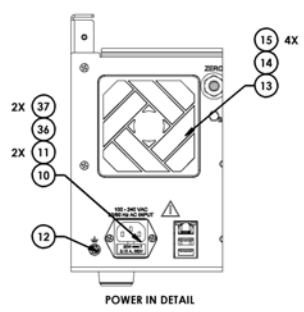
Multi-Instrument Calibrator

October 2019

Table of Contents

MIC-6 Measurement Case.....	4
MIC-6 Front Panel Assy	6
MIC-6 Valve Manifold Assy, Gas In.....	8
MIC-6 Valve Manifold Assy, Gas Out.....	9
MIC-6 Probe Connection Assy.....	10

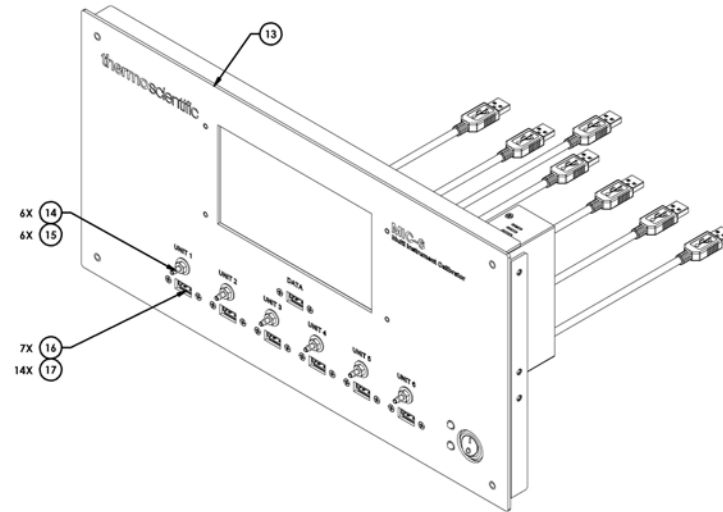
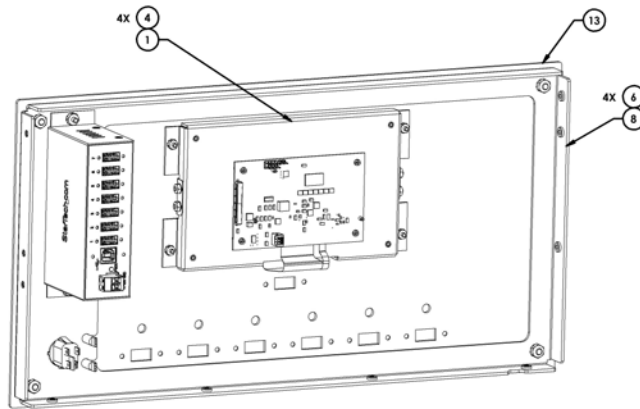
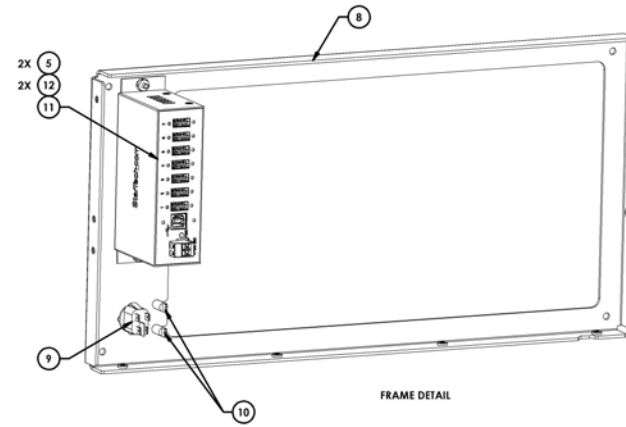
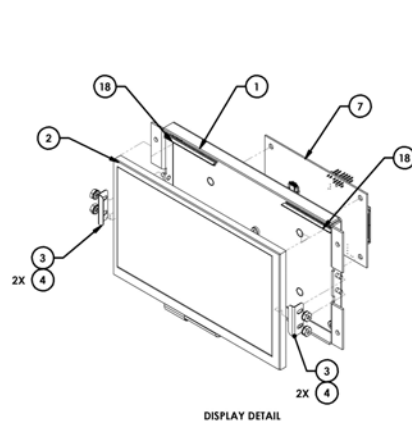
MIC-6 Measurement Case



MIC-6 Measurement Case

ITEM	DESCRIPTION	P/N	QTY	Component
14	ASSY, FAN FILTER, 80MM, LOW SNAP	117871-00	1	Consumable
6	SET, FEET, 2 TILT, 2 FLAT W/SCREWS	119502-00	1	Spare Part
7	ASSY, PCB, BACKPLANE	115603-00	1	Spare Part
13	ASSY, FAN, IQ REAR PANEL	116752-00	1	Spare Part
18	ASSY, PCB, STEP POL	114664-00	3	Spare Part
19	CABLE ASSY, STEP POL, POWER, 3" (not shown)	116522-03	2	Spare Part
20	CABLE ASSY, STEP POL, POWER (not shown)	116522-01	1	Spare Part
21	CABLE ASSY, STEP POL, SIGNAL (not shown)	116523-01	1	Spare Part
22	CABLE ASSY, STEP POL, SIGNAL, 3" (not shown)	116523-03	2	Spare Part
23	ASSY, PCB, PSB	113844-00	1	Spare Part
24	ASSY, PCB, IQ SCB - TESTED	113371-90	1	Spare Part
25	ASSY, CABLE, SWITCH	116127-00	1	Spare Part
26	ASSY, POWER SUPPLY, DC, 24 VOLT	115635-01	1	Spare Part
37	FUSE, 250V, SLO, 5 X 20MM, 3.15A	103894-00	2	Spare Part
38	CARD, MICRO SD, 32GB	117006-0006	1	Spare Part
2	BASE, ENCLOSURE, MIC-6	119352-00	1	Not Sellable
3	PANEL, REAR, MIC-6	119354-00	1	Not Sellable
4	COVER, ENCLOSURE, MIC-6	119353-00	1	Not Sellable
5	SCREW, MACHINE, FLAT HEAD, PHILLIPS, FULL THD, #6-32, 1/4, SS	21-004277-0004	20	Not Sellable
9	TERMINAL, MALE TAB 90°, .25W X .032T	117917-00	1	Not Sellable
10	ASSY, FILTER, LINE POWER	115986-00	1	Not Sellable
11	SCREW, MACHINE, FLAT HEAD, PHILLIPS, FULL THD, #4-40, 1/4, SS	21-005715-0004	2	Not Sellable
12	SCREW, HEX, COMBO DRIVE, 8-32 X 3/8, GREEN ZINC	115766-00	1	Not Sellable
15	SCREW, SELFTAP, FLAT HEAD, PHILLIPS, #6-32, 3/4, SS	21-004458-0012	4	Not Sellable
16	BRACKET, STEP POL MTG, MIC-6	119356-00	1	Not Sellable
17	NUT, LOCK, HEX, TOOTH WASHER, COARSE THREAD, #8-32, SS	21-004544	6	Not Sellable
27	FITTING, QUICK CONN, PLUG, 1/8 BARB, PANEL MTG	119359-00	6	Not Sellable
28	WASHER, LOCK, EXTERNAL TOOTH, 1/2, SS	21-001276-0008	6	Not Sellable
29	WASHER, FLAT, MIL-SPEC, 1/2, SS	21-012122-0008	6	Not Sellable
30	CLAMP, HOSE, Ø7/32 - Ø1/4, .17W, BLACK NYLON	119529-00	14	Not Sellable
31	ASSY, VALVE MANIFOLD, GAS IN, AUTOCAL	119351-00	1	Not Sellable
32	ASSY, VALVE MANIFOLD, GAS OUT, AUTOCAL	119351-01	1	Not Sellable
33	CABLE ASSY, USB B - BACKPLANE	119399-16	1	Not Sellable
34	CABLE ASSY, USB HUB, POWER, 24VDC	119408-00	1	Not Sellable
35	CABLE, RIBBON, 400MM, 41 CONTACTS	115752-00	1	Not Sellable
36	LABEL, FUSE, UNIVERSAL POWER, 50W	116458-03	1	Not Sellable
39	TUBING, PVC, 1/8ID, 3/16 OD, CLEAR	119504-00	A/R	Not Sellable
40	ADHESIVE, INSTANT, FLEXIBLE, LOCTITE 4851	22-010502	A/R	Not Sellable

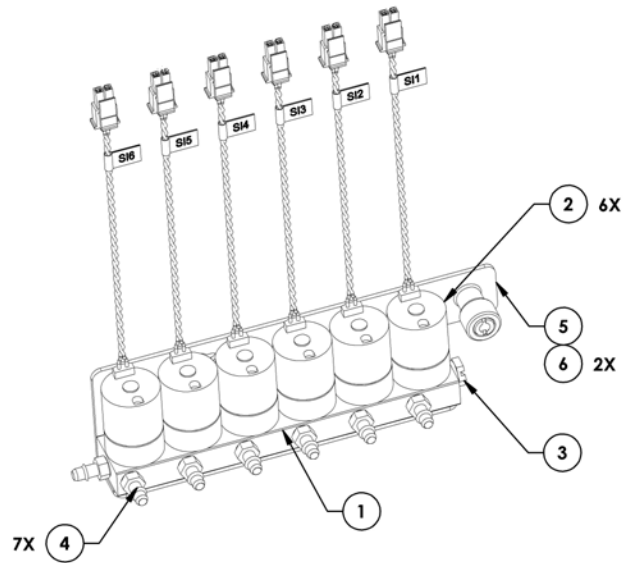
MIC-6 Front Panel Assy



MIC-6 Front Panel Assy

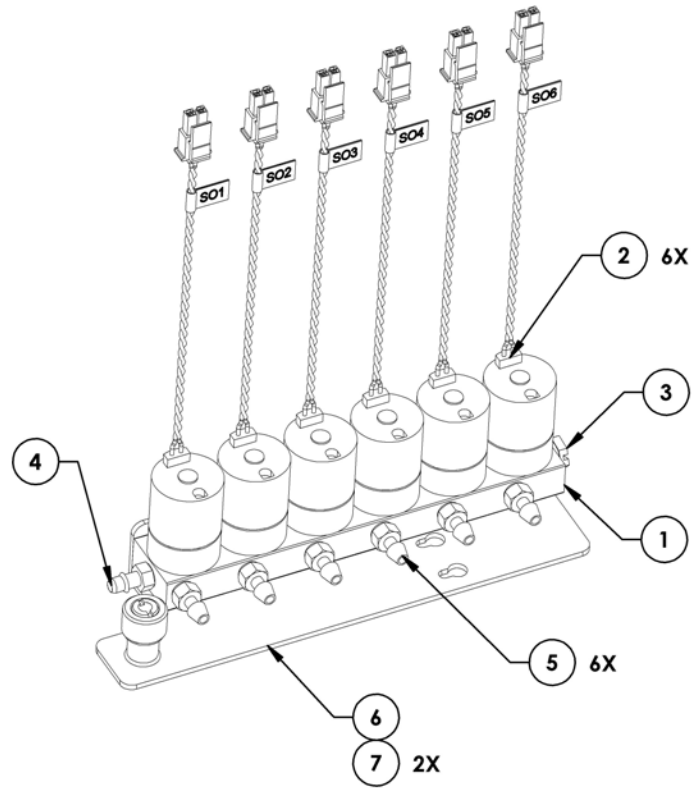
ITEM	DESCRIPTION	P/N	Qty	Component
2	DISPLAY, 24 BIT, WINSTAR	115360-00	1	Spare Part
4	NUT, LOCK, HEX, TOOTH WASHER, COARSE THREAD, #4-40, SS	21-006051	8	Spare Part
7	ASSY, PCB, DISPLAY ADAPTER	114984-00	1	Spare Part
14	FITTING, BULKHEAD, 1/8 BARB, BRASS	32-003396-0002	6	Spare Part
1	COVER, DISPLAY & PCBA MTG, MIC-6	119345-00	1	Not Sellable
3	CLAMP, DISPLAY	115305-00	2	Not Sellable
5	NUT, LOCK, HEX, TOOTH WASHER, COARSE THREAD, #6-32, SS	21-004542	2	Not Sellable
6	NUT, LOCK, HEX, TOOTH WASHER, COARSE THREAD, #8-32, SS	21-004544	4	Not Sellable
8	FRAME, FRONT, MIC-6	119346-00	1	Not Sellable
9	SWITCH, ROCKER, DPST, 10A, 125V, BLACK	115358-00	1	Not Sellable
10	CABLE, ASSY, BI-COLOR LED, 10"	116134-10	1	Not Sellable
11	HUB, USB, 7 USB 2.0 PORTS, 7-24VDC	119505-00	1	Not Sellable
12	SCREW, MACHINE, FLAT HEAD, PHILLIPS, FULL THD, #6-32, 3/8, SS	21-004277-0006	2	Not Sellable
13	PANEL, FRONT, MIC-6	119347-00	1	Not Sellable
15	WASHER, FLAT, MIL-SPEC, 1/4, SS	21-012122-0004	6	Not Sellable
16	CABLE ASSY, USB-A FEMALE PANEL, USB-A MALE, 2 FT	119527-02	7	Not Sellable
17	SCREW, MACHINE, FLAT HEAD, PHILLIPS, FULL THD, #4-40, 1/4, SS	21-005715-0004	14	Not Sellable
18	FINGER STRIP, EMI, NO-SNAG, 1.90"L, BECU .002"T	118448-00	2	Not Sellable

MIC-6 Valve Manifold Assy, Gas In P/N 119351-00



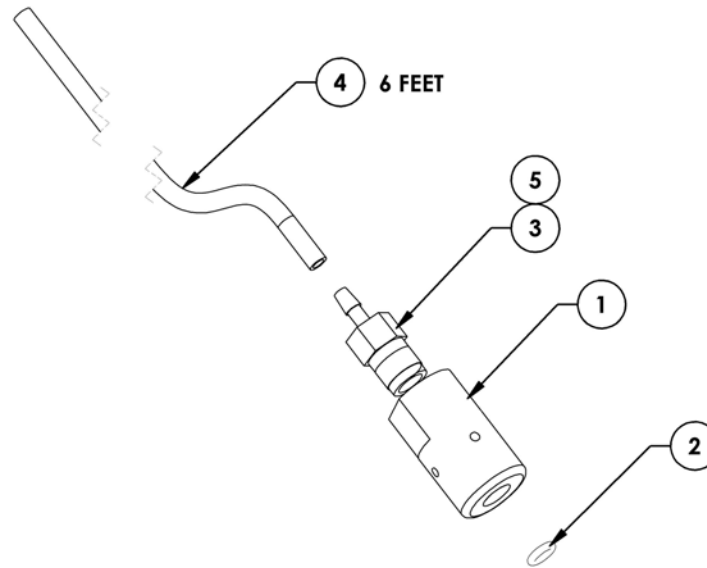
ITEM	DESCRIPTION	P/N	Qty	Component
1	MANIFOLD, 6 EM VALVE, 10-32 PORTS	119357-00	1	Spare Part
2	ASSY, VALVE, 24VDC, 16" L, MIC-6	119360-16	6	Spare Part
5	BRACKET, MANIFOLD MTG, MIC-6	119355-00	1	Spare Part
3	FITTING, PLUG, 10-32, BRASS	32-006837	1	Not Sellable
4	FITTING, STRAIGHT, BARB, 1/8 TUBE, #10-32, BRASS	32-009820	7	Not Sellable
6	SCREW, PAN HEAD, PHILLIPS, W/EXT WASHER, FT, #10-32, 1/4, SS	21-005035-0004	2	Not Sellable

MIC-6 Valve Manifold Assy, Gas Out P/N 119351-01



ITEM	DESCRIPTION	P/N	Qty	Component
1	MANIFOLD, 6 EM VALVE, 10-32 PORTS	119357-00	1	Spare Part
2	ASSY, VALVE, 24VDC, 16" L, MIC-6	119360-16	6	Spare Part
6	BRACKET, MANIFOLD MTG, MIC-6	119355-00	1	Spare Part
3	FITTING, PLUG, 10-32, BRASS	32-006837	1	Not sellable
4	FITTING, STRAIGHT, BARB, 1/8 TUBE, #10-32, BRASS	32-009820	1	Not sellable
5	FITTING, ORIFICE, 10-32, 1/8 BARB, .013 ID	119361-13	6	Not sellable
7	SCREW, PAN HEAD, PHILLIPS, W/EXT WASHER, FT, #10-32, 1/4, SS	21-005035-0004	2	Not sellable

MIC-6 Probe Connection Assy P/N 119417-00



ITEM	DESCRIPTION	P/N	QTY	Component
2	O-RING, .176 ID, .070 CSD, 75 DUROMETER, BUNA-N	22-000485-1008	1	Spare Part
3	FITTING, MALE CONN, 1/8 NPT X 1/8 BARB, PVDF	116651-00	1	Spare Part
1	CAP, PROBE TIP, MIC-6	119416-00	1	Not Sellable
4	TUBING, PVC, 1/8ID, 3/16 OD, CLEAR	119504-00	6'	Not Sellable
5	TAPE, SEALANT, PIPE THREAD, 1/4 WIDE, .0032 THICK	22-007258	A/R	Not Sellable



USA

27 Forge Parkway
Franklin, MA 02038
Ph: (866) 282-0430
Fax: (508) 520-2800
orders.aqi@thermofisher.com

India

G/327, TTC Industrial Area
MIDC Pawane
New Mumbai 400 705, India
Ph: +91 22 4157 8800
india@thermofisher.com

China

8/F Bldg C of Global Trade Ctr,
No.36, North 3rd Ring Road,
Dong Cheng District
Beijing, China 100013
Ph: +86 10 84193588
info.eid.china@thermofisher.com

Europe

Ion Path, Road Three,
Winsford, Cheshire CW73GA UK
Ph: +44 1606 548700
Fax: +44 1606 548711
sales.epm.uk@thermofisher.com

Find out more at thermofisher.com/MIC6

ThermoFisher
SCIENTIFIC