

Model 5014i Beta

Instruction Manual

Continuous Ambient Particulate Monitor

Waiver No. W1903

01Oct2018



© 2009 Thermo Fisher Scientific Inc. All rights reserved.

Specifications, terms and pricing are subject to change. Not all products are available in all countries. Please consult your local sales representative for details.

Thermo Fisher Scientific
Air Quality Instruments
27 Forge Parkway
Franklin, MA 02038
1-508-520-0430
www.thermo.com/aqi

WEEE Compliance

This product is required to comply with the European Union's Waste Electrical & Electronic Equipment (WEEE) Directive 2002/96/EC. It is marked with the following symbol:



Thermo Fisher Scientific has contracted with one or more recycling/disposal companies in each EU Member State, and this product should be disposed of or recycled through them. Further information on Thermo Fisher Scientific's compliance with these Directives, the recyclers in your country, and information on Thermo Fisher Scientific products which may assist the detection of substances subject to the RoHS Directive are available at: www.thermo.com/WEEERoHS.

About This Manual

This manual provides information about installing, operating, maintaining, and servicing the Model 5014*i* Continuous Ambient Particulate Monitor. It also contains important alerts to ensure safe operation and prevent equipment damage. The manual is organized into the following chapters and appendices to provide direct access to specific operation and service information.

- Chapter 1 “[Introduction](#)” provides an overview of product features, describes the principle of operation, and lists the specifications.
- Chapter 2 “[Installation](#)” describes how to unpack, setup, and startup the instrument.
- Chapter 3 “[Operation](#)” describes the front panel display screens, the front panel pushbuttons, and the menu-driven firmware.
- Chapter 4 “[Calibration](#)” provides the procedures for calibrating the analyzer and describes the required equipment.
- Chapter 5 “[Preventive Maintenance](#)” provides maintenance procedures to ensure reliable and consistent instrument operation.
- Chapter 6 “[Troubleshooting](#)” presents guidelines for diagnosing analyzer failures, isolating faults, and includes recommended actions for restoring proper operation.
- Chapter 7 “[Servicing](#)” presents safety alerts for technicians working on the analyzer, step-by-step instructions for repairing and replacing components, and a replacement parts list. It also includes contact information for product support and technical information.
- Chapter 8 “[System Description](#)” describes the function and location of the system components, provides an overview of the firmware structure, and includes a description of the system electronics and input/output connections.
- Chapter 9 “[Optional Equipment](#)” describes the optional equipment that can be used with this analyzer.
- Chapter 10 “[Model 5014*i* to 5030*i* Upgrade Procedures](#)” describes the 5014*i* to 5030*i* upgrade procedures.
- Appendix A “[Warranty](#)” is a copy of the warranty statement.

- Appendix B “[C-Link Protocol Commands](#)” provides a description of the C-Link protocol commands that can be used to remotely control an analyzer using a host device such as a PC or datalogger.
- Appendix C “[MODBUS Protocol](#)” provides a description of the MODBUS Protocol Interface and is supported both over RS-232/485 (RTU protocol) as well as TCP/IP over Ethernet.
- Appendix D “[Gesytex \(Bayern-Hessen\) Protocol](#)” provides a description of the Gesytex (Bayern-Hessen or BH) Protocol Interface and is supported both over RS-232/485 as well as TCP/IP over Ethernet.
- Appendix E “[ESM Protocol Commands](#)” provides a description of the ESM Protocol commands (from the prior FH62 platform) that can be used to remotely control an analyzer using a host device such as a PC or datalogger.





Safety

Review the following safety information carefully before using the analyzer. This manual provides specific information on how to operate the analyzer, however, if the analyzer is used in a manner not specified by the manufacturer, the protection provided by the equipment may be impaired.


Safety and Equipment Damage Alerts



This manual contains important information to alert you to potential safety hazards and risks of equipment damage. Refer to the following types of alerts you may see in this manual.

Safety and Equipment Damage Alert Descriptions

Alert	Description
 DANGER	A hazard is present that could result in death or serious personal injury if the warning is ignored. ▲
 WARNING	A hazard or unsafe practice could result in serious personal injury if the warning is ignored. ▲
 CAUTION	A hazard or unsafe practice could result in minor to moderate personal injury if the warning is ignored. ▲
 Equipment Damage	A hazard or unsafe practice could result in property damage if the warning is ignored. ▲

Safety and Equipment Damage Alerts in this Manual

Alert	Description
 WARNING	The Model 5014i is supplied with a three-wire grounded power cord. Under no circumstances should this grounding system be defeated. ▲

Alert	Description
 CAUTION	<p>If the equipment is operated in a manner not specified by the manufacturer, the protection provided by the equipment may be impaired. ▲</p> <p>The service procedures in this manual are restricted to qualified service personnel only. ▲</p> <p>The detector assembly should be replaced by a qualified technician knowledgeable in dealing with radiation precautions. By removing the detector assembly, the C-14 radioactive source is partially exposed. Safety glasses must be worn during this replacement procedure. The amount of C-14 meets the USNRC regulations as an exempt amount of radioactive source <100 µCi.</p> <p>The detector window is very fragile. Handle with great care and do not wipe or touch the window. Furthermore, do not touch the solder cable connection (electrode) with your bare fingers. The oils from your skin can damage the detector.</p> <p>Safety glasses must be worn while replacing the detector assembly.</p> <p>If the LCD panel breaks, do not let the liquid crystal contact your skin or clothes. If the liquid crystal contacts your skin or clothes, wash it off immediately using soap and water. ▲</p>
 Equipment Damage	<p>Do not attempt to lift the analyzer by the cover or other external fittings. ▲</p> <p>Some internal components can be damaged by small amounts of static electricity. A properly grounded antistatic wrist strap must be worn while handling any internal component. ▲</p> <p>Disconnect the serial cable before changing the RS-232 and RS-485 selection to prevent damage to any equipment currently connected to the analyzer. ▲</p> <p>Do not use solvents or other cleaning products to clean the outside case. ▲</p> <p>Do not remove the LCD panel or frame from the LCD module. ▲</p> <p>The LCD polarizing plate is very fragile, handle it carefully. ▲</p> <p>Do not wipe the LCD polarizing plate with a dry cloth, as it may easily scratch the plate. ▲</p> <p>Do not use alcohol, acetone, MEK or other ketone based or aromatic solvent to clean the LCD module, but rather use a soft cloth moistened with a naphtha cleaning solvent. ▲</p>

Alert	Description
	Do not place the LCD module near organic solvents or corrosive gases. ▲
	Do not shake or jolt the LCD module. ▲

Electrical/Safety Certifications



The product has been tested and has been documented to be in compliance with the following U.S. and Canadian safety standards:

UL Standard 61010-1:2004 2nd Edition
CAN/CSA C22.2 No. 1010-1:2004 2nd Edition
IEC 61326-2-3: 2006

Thermo Fisher Scientific certifies that this product operates in compliance with the EC Directive 89/336/EEC in reference to electrical emissions and immunity. Specifically, the equipment meets the requirements of EN 61326-1:1998 for Immunity and Emissions. In addition, the hardware has been tested for personal or fire safety hazards in accordance with EN61010-1:2001 (Safety) in fulfillment of EC Directive 73/23/EEC.

FEM Statement

Thermo Scientific 5014i Beta Continuous Particulate Monitor for PM10

Automated Equivalent Method: EQPM-1102-150

“Thermo Scientific Model 5014i Beta Continuous Ambient Particle Monitor” configured with a 10 micron size selective inlet and a DHS, operated with a total actual flow of 16.67 L/min. and according to the Thermo Scientific 5014i Continuous Ambient Particulate Monitor operating manual.

FCC Compliance


Changes or modifications to this unit not expressly approved by the party responsible for compliance could void the user’s authority to operate the equipment.

Note This equipment has been tested and found to comply within the limits for a Class A digital device, pursuant to Part 15 of the FCC Rules. These limits are designed to provide reasonable protection against harmful interference when the equipment is operated in a commercial environment. This equipment generates, uses, and can radiate radio frequency energy and, if not installed and used in accordance with the instruction manual, may cause harmful interference to radio communications. Operation of this equipment in a residential area is likely to cause harmful interference, in

which case the user will be required to correct the interference at his or her own expense. ▲

WEEE Symbol

The following symbol and description identify the WEEE marking used on the instrument and in the associated documentation.

Symbol	Description
	Marking of electrical and electronic equipment which applies to waste electrical and electronic equipment falling under the Directive 2002/96/EC (WEEE) and the equipment that has been put on the market after 13 August 2005. ▲

Where to Get Help

Service is available from exclusive distributors worldwide. Contact one of the phone numbers below for product support and technical information or visit us on the web at www.thermo.com/aqi.

1-866-282-0430 Toll Free

1-508-520-0430 International

About This Manual

Where to Get Help

Contents

Chapter 1	Introduction.....	1-1
	Principle of Operation	1-3
	Specifications	1-7
Chapter 2	Installation	2-1
	Packaging and Transport.....	2-1
	Lifting.....	2-2
	Unpacking and Inspection	2-2
	Acceptance Testing and Startup Procedures	2-3
	Acceptance Test	2-4
	One-Point Temperature Verification	2-7
	One-Point RH Sensor Verification.....	2-7
	One-Point Barometric Pressure Verification.....	2-7
	One-Point Volumetric Flow Rate Verification	2-8
	Setup.....	2-9
	Inlet System	2-9
	Heater	2-10
	Sample Tube Extension Lengths	2-12
	Rack Mounting Option	2-12
	Monitor Installation.....	2-12
	Connecting External Devices	2-16
	Terminal Board PCB Assemblies.....	2-16
	I/O Terminal Board.....	2-16
	D/O Terminal Board	2-18
	25-Pin Terminal Board	2-19
	Power Connections	2-21
	Startup	2-21
	Data Content	2-22
	Shutdown	2-22
	Important Tips.....	2-22
Chapter 3	Operation	3-1
	Display.....	3-1
	Pushbuttons	3-2
	Soft Keys.....	3-3
	Alphanumeric Entry Screen.....	3-4
	Firmware Overview	3-4
	Power-Up Screen	3-6
	Run Screens	3-6

Ambient Conditions Run Screen.....	3-7
Sample Conditions Run Screen.....	3-8
Mass Sensor Data Run Screen.....	3-8
Main Menu.....	3-9
Range Menu	3-9
Concentration Units	3-10
Range.....	3-10
Set Custom Ranges	3-12
Custom Ranges.....	3-12
24-Hour Average.....	3-13
24-Hour Average Start Time.....	3-13
Calibration Factors Menu	3-13
PM Background.....	3-14
PM Coefficient	3-14
Instrument Controls Menu	3-15
Set Flow/Pump	3-15
Flow.....	3-15
Pump	3-16
Set Heater	3-16
Control	3-16
RH Threshold.....	3-17
Temperature Threshold	3-17
Filter Tape Control.....	3-17
Manual	3-18
Mass Limit	3-18
Next Time	3-18
Period	3-19
Counter	3-19
Volumetric Conditions	3-19
Temperature Compensation.....	3-20
Standard Temperature	3-20
Pressure Compensation	3-20
Standard Pressure.....	3-21
Datalogging Settings	3-21
Select Srec/Lrec	3-22
View Logged Data.....	3-22
Number of Records.....	3-23
Date and Time.....	3-23
Erase Log	3-24
Select Content.....	3-24
Choose Field Data.....	3-25
Concentrations.....	3-25
Other Measurements.....	3-25
Analog Inputs.....	3-27
Commit Content	3-28
Reset to Default Content	3-28

Configure Datalogging.....	3-28
Logging Period Min.....	3-29
Memory Allocation Percent.....	3-29
Data Treatment	3-30
Flag Status Data	3-30
Communication Settings.....	3-30
Serial Settings.....	3-31
Baud Rate	3-31
Data Bits.....	3-32
Parity	3-32
Stop Bits	3-32
RS-232/RS-485 Selection.....	3-33
Instrument ID.....	3-33
Gesytec Serial Number.....	3-34
Communication Protocol.....	3-34
Streaming Data Configuration	3-34
Streaming Data Interval	3-35
Choose Stream Data	3-35
Concentrations.....	3-35
Other Measurements.....	3-36
Analog Inputs.....	3-37
TCP/IP Settings.....	3-37
Use DHCP	3-37
IP Address.....	3-38
Netmask.....	3-38
Default Gateway	3-38
Host Name	3-39
Network Time Protocol Server.....	3-39
I/O Configuration.....	3-40
Output Relay Settings.....	3-40
Logic State	3-40
Instrument State	3-41
Alarms.....	3-41
Non-Alarm	3-42
Digital Input Settings.....	3-42
Logic State	3-42
Instrument Action.....	3-43
Analog Output Configuration (Select Channel).....	3-43
Allow Over/Under Range.....	3-44
Analog Output Configuration (Select Action).....	3-44
Select Range.....	3-45
Minimum and Maximum Value	3-45
Choose Signal to Output	3-46
Analog Input Configuration.....	3-48
Descriptor	3-48
Units.....	3-49

Decimal Places	3-49
Number of Table Points.....	3-49
Table Points.....	3-50
Volts	3-50
User Value	3-50
Screen Contrast.....	3-51
Service Mode	3-51
Date/Time	3-52
Timezone.....	3-52
Diagnostics Menu	3-53
Program Versions.....	3-53
Voltages	3-54
Motherboard Voltages.....	3-54
Interface Board Voltages	3-54
I/O Board Voltages	3-55
Detector Board Voltages	3-55
RH/Temperature	3-55
Pressure/Vacuum	3-56
Flow.....	3-56
Detector Status.....	3-56
CRn	3-57
Analog Input Readings.....	3-57
Analog Input Voltages.....	3-57
Digital Inputs.....	3-58
Relay States	3-58
Test Analog Outputs.....	3-58
Set Analog Outputs.....	3-59
Instrument Configuration	3-59
Contact Information	3-60
Alarms Menu	3-60
Instrument Alarms	3-61
Filter Tape Counter	3-61
Max Filter Tape Counter	3-61
Detector Alarms	3-62
Min and Max Alpha Alarms.....	3-62
Min and Max Beta Alarms	3-62
RH/Temperature Alarms	3-63
Ambient RH	3-63
Min and Max Ambient RH Limits.....	3-63
Sample RH	3-64
Min and Max Sample RH Limits.....	3-64
Ambient Temperature.....	3-65
Min and Max Ambient Temperature Limits	3-65
Flow Temperature.....	3-65
Min and Max Flow Temperature Limits	3-66
Board Temperature.....	3-66

Min and Max Board Temperature Limits.....	3-66
Pressure/Vacuum Alarms.....	3-67
Barometric Pressure.....	3-67
Min and Max Barometric Pressure Limits	3-68
Vacuum	3-68
Min and Max Vacuum Limits.....	3-68
Flow.....	3-69
Min and Max Flow Limits	3-69
Flow Alarms.....	3-69
Flow.....	3-70
Min and Max Flow Limits	3-70
Concentration Alarms.....	3-70
Average PM.....	3-71
Min and Max Average PM Concentration Limits	3-71
Instant PM.....	3-71
Min and Max Instant PM Concentration Limits.....	3-72
Service Menu	3-72
RH/Temperature Calibration.....	3-73
Ambient Temperature.....	3-73
Flow Temperature.....	3-74
Ambient Relative Humidity	3-74
Pressure/Vacuum Calibration.....	3-74
Barometer Pressure Calibration	3-75
Calibrate Barometer Pressure Span.....	3-75
Restore Default Calibration.....	3-76
Vacuum/Flow Calibration.....	3-76
Calibrate Vacuum/Flow Zero.....	3-76
Calibrate Vacuum Pressure Span.....	3-77
Calibrate Flow Pressure Span	3-77
Restore Default Calibration.....	3-78
Flow Calibration	3-78
Auto Flow Calibration	3-79
Manual Flow Calibration	3-79
Mass Calibration	3-79
Thermal Mass Coefficient	3-80
Vacuum Mass Coefficient	3-80
Barometer Mass Coefficient	3-80
Mass Coefficient	3-81
Auto Mass Coefficient.....	3-81
Manual Mass Coefficient	3-81
Alpha Efficiency Coefficient.....	3-82
Detector Calibration	3-82
Auto Detector Calibration.....	3-83
Manual Detector Calibration	3-83
Beta/Ref/Alpha Counts	3-83
High Voltage.....	3-84

Beta Ref Threshold	3-84
Alpha Threshold	3-84
Analog Output Calibration	3-85
Analog Output Calibrate Zero	3-85
Analog Output Calibrate Full-Scale	3-86
Analog Input Calibration	3-86
Analog Input Calibrate Zero	3-87
Analog Input Calibrate Full-Scale	3-87
Display Pixel Test	3-88
Restore User Defaults	3-88
Restore Factory Defaults	3-88
Password Menu	3-89
Set Password	3-89
Lock Instrument	3-90
Lock/Unlock and Local/Remote Operation	3-90
Change Password	3-90
Remove Password	3-91
Unlock Instrument	3-91

Chapter 4

Calibration	4-1
Frequency of Calibration	4-1
Equipment Required	4-1
Pre-Calibration	4-2
Calibration Procedure	4-2
RH/Temperature Calibration	4-3
Ambient Temperature	4-3
Ambient Relative Humidity	4-3
Flow Temperature	4-4
Pressure/Vacuum Calibration	4-4
Barometer Pressure Calibration	4-4
Calibrate Vacuum/Flow Zero	4-5
Calibrate Vacuum Pressure Span	4-5
Calibrate Flow Pressure Span	4-6
Flow Calibration	4-7
Auto Flow Calibration	4-7
Mass Calibration	4-7
Mass Coefficient	4-9
Auto Mass Coefficient	4-9
Detector Calibration	4-12
Auto Detector Calibration	4-12

Chapter 5

Preventive Maintenance	5-1
Safety Precautions	5-1
Replacement Parts	5-2
Cleaning the Outside Case	5-2

	Cleaning the Inlets	5-2
	U.S. EPA PM ₁₀ Inlet	5-2
	European PM ₁₀ /PM _{2.5} Inlet	5-3
	Cyclone Maintenance.....	5-4
	Heater and Sample Tube.....	5-5
	Weather Proofing.....	5-5
	Fan Filter Inspection and Cleaning	5-5
	Pump Rebuilding	5-6
	Leak Test	5-6
	Filter Tape Replacement	5-7
	Greasing the Cam	5-8
Chapter 6	Troubleshooting	6-1
	Safety Precautions	6-1
	Troubleshooting Guides.....	6-1
	Board-Level Connection Diagrams	6-6
	Connector Pin Descriptions	6-8
	Service Locations.....	6-22
Chapter 7	Servicing.....	7-1
	Safety Precautions	7-3
	Firmware Updates.....	7-4
	Accessing the Service Mode.....	7-4
	Replacement Parts List	7-5
	Cable List.....	7-6
	External Device Connection Components	7-7
	Removing the Measurement Case Assembly and Lowering the Partition Panel	7-9
	Fuse Replacement	7-10
	Fan/Filter Replacement	7-11
	Detector Amplifier Assembly Replacement.....	7-12
	Detector Amplifier Board Calibration	7-13
	External Pump Replacement	7-14
	Pressure Board Replacement	7-15
	Pressure Board Calibration.....	7-17
	Analog Output Testing	7-18
	Analog Output Calibration	7-20
	Analog Input Calibration	7-21
	Calibrating the Input Channels to Zero Volts	7-21
	Calibrating the Input Channels to Full-Scale	7-22
	Thermistor Replacement	7-23
	I/O Expansion Board (Optional) Replacement	7-24
	Digital Output Board Replacement.....	7-26
	Motherboard Replacement.....	7-26
	Measurement Interface Board Replacement	7-27

Photo Interrupt Board Replacement.....	7-29
Proportional Valve Replacement	7-30
Detector Assembly Replacement	7-31
Flow RTD Replacement	7-33
Transformer Replacement	7-34
Radius Tube Replacement.....	7-35
Ambient RH/Temperature Replacement.....	7-36
Front Panel Board Replacement.....	7-38
LCD Module Replacement	7-39
Service Locations.....	7-41

Chapter 8

System Description.....	8-1
Hardware	8-1
Primary Measurement Head	8-3
Detector Amplifier	8-3
Cam Photo Interrupt Board.....	8-3
Counter Wheel Interrupt Board Assembly	8-3
Proportional Valve	8-3
Cam Motor.....	8-3
Tape Motor.....	8-3
Pressure Board.....	8-3
Firmware.....	8-4
Instrument Control.....	8-4
Monitoring Signals.....	8-4
Output Communication	8-4
Electronics	8-5
Motherboard.....	8-5
Measurement Interface Board	8-6
Measurement Interface Board Connectors.....	8-6
Flow Sensor System.....	8-6
Pressure Sensor Assembly	8-6
Detector Amplifier Assembly.....	8-6
Digital Output Board.....	8-7
I/O Expansion Board (Optional)	8-7
Front Panel Connector Board	8-7
I/O Components.....	8-7
Analog Voltage Outputs.....	8-7
Analog Current Outputs (Optional)	8-8
Analog Voltage Inputs (Optional)	8-8
Digital Relay Outputs	8-8
Digital Inputs.....	8-9
Serial Ports	8-9
RS-232 Connection	8-10
RS-485 Connection	8-10
Ethernet Connection.....	8-11
External Accessory Connector	8-11

Chapter 9	Optional Equipment	9-1
	Inlet Assemblies.....	9-1
	Sampling Tube Extensions.....	9-1
	I/O Expansion Board Assembly.....	9-1
	25 Pin Terminal Board Assembly.....	9-1
	Terminal Block and Cable Kits	9-2
	Cables	9-2
	Mounting Options.....	9-3
	Roof Flange Assembly	9-8
Chapter 10	Model 5014i to 5030i Upgrade Procedures	10-1
	Instrument Preparation	10-1
	Radius Tube Adapter Installation.....	10-5
	SHARP External Valve Installation	10-7
	SHARP Optics Assembly Installation.....	10-9
	Upgrade of the Heater Tube Assembly.....	10-10
	Model Label Change.....	10-11
	Power On Instrument	10-11
Appendix A	Warranty	A-1
Appendix B	C-Link Protocol Commands.....	B-1
	Instrument Identification Number.....	B-1
	Commands	B-2
	Commands List.....	B-3
	Measurements	B-9
	Alarms.....	B-11
	Diagnostics	B-17
	Datalogging.....	B-20
	Calibration.....	B-27
	Keys/Display	B-34
	Measurement Configuration	B-35
	Hardware Configuration	B-41
	Communications Configuration	B-43
	I/O Configuration.....	B-50
	Record Layout Definition	B-55
	Format Specifier for ASCII Responses.....	B-56
	Format Specifier for Binary Responses	B-56
	Format Specifier for Erec Layout.....	B-57
	Text	B-57
	Value String.....	B-57
	Value Source	B-57
	Alarm Information	B-58

Translation Table.....	B-58
Selection Table.....	B-58
Button Designator.....	B-58
Examples.....	B-59

Appendix C	MODBUS Protocol.....	C-1
	Serial Communication Parameters	C-1
	TCP Communication Parameters	C-2
	Application Data Unit Definition	C-2
	Slave Address.....	C-2
	MBAP Header	C-2
	Function Code.....	C-3
	Data.....	C-3
	Error Check	C-3
	Function Codes.....	C-3
	(0x01/0x02) Read Coils/Read Inputs	C-3
	(0x03/0x04) Read Holding Registers/Read Input Registers	C-5
	(0x05) Force (Write) Single Coil.....	C-7
	MODBUS Parameters Supported	C-8

Appendix D	Gesytec (Bayern-Hessen) Protocol	D-1
	Serial Communication Parameters	D-1
	TCP Communication Parameters	D-2
	Instrument Address	D-2
	Abbreviations Used	D-2
	Basic Command Structure	D-2
	Block Checksum Characters <BCC>.....	D-3
	Gesytec Commands	D-3
	Instrument Control Command (ST).....	D-3
	Data Sampling/Data Query Command (DA).....	D-4
	Measurements reported in response to DA command	D-7
	Operating and Error Status	D-7

Appendix E	ESM Protocol Commands	E-1
	ESM Commands Supported	E-1

Figures

Figure 1–1. Model 5014 <i>i</i> Flow Schematic	1-4
Figure 2–1. Remove the Packing Material	2-3
Figure 2–2. Model 5014 <i>i</i> Sampling Room Air Under Stable Conditions	2-6
Figure 2–3. Model 5014 <i>i</i> Side View—inches [millimeters]	2-9
Figure 2–4. Model 5014 <i>i</i> Top View—inches [millimeters]	2-10
Figure 2–5. Model 5014 <i>i</i> Vertical View	2-11
Figure 2–6. Heater Assembly	2-13
Figure 2–7. Rear Panel Plumbing Schematic	2-15
Figure 2–8. I/O Terminal Board Views	2-17
Figure 2–9. Pin-Out of Rear Panel Connector	2-18
Figure 2–10. D/O Terminal Board Views	2-19
Figure 2–11. 25-Pin Terminal Board Views	2-20
Figure 3–1. Front Panel Display	3-2
Figure 3–2. Front Panel Pushbuttons	3-2
Figure 3–3. Flowchart of Menu-Driven Firmware	3-5
Figure 3–4. Pin-Out of Rear Panel Connector	3-11
Figure 3–5. Common Flags	3-26
Figure 3–6. Detector A Flags	3-27
Figure 4–1. Differential Pressure and Vacuum Calibration Ports	4-6
Figure 5–1. U.S. EPA PM ₁₀ Inlet	5-3
Figure 5–2. European PM ₁₀ Inlet	5-4
Figure 5–3. PM _{2.5} Sharp-Cut-Cyclone	5-5
Figure 5–4. Inspecting and Cleaning the Fan	5-6
Figure 5–5. Replacing the Filter Tape	5-8
Figure 6–1. Board-Level Connection Diagram - Common Electronics	6-6
Figure 6–2. Board-Level Connection Diagram - Measurement System	6-7
Figure 7–1. Properly Grounded Antistatic Wrist Strap	7-4
Figure 7–2. Model 5014 <i>i</i> Component Layout	7-8
Figure 7–3. Removing the Measurement Case Assembly and Lowering the Partition Panel	7-9
Figure 7–4. Replacing the Fan	7-12
Figure 7–5. Replacing the Detector Amplifier Assembly	7-13
Figure 7–6. Replacing the Pump	7-15
Figure 7–7. Replacing the Pressure Board Assembly	7-16
Figure 7–8. Replacing the Pressure Board Assembly Plumbing Connection	7-16
Figure 7–9. Rear Panel Analog Input and Output Pins	7-19

Figure 7–10. Replacing the Thermistor.....	7-24
Figure 7–11. Replacing the I/O Expansion Board (Optional).....	7-25
Figure 7–12. Rear Panel Board Connectors	7-25
Figure 7–13. Replacing the Measurement Interface Board	7-28
Figure 7–14. Replacing the Photo Interrupt Board	7-29
Figure 7–15. Replacing the Proportional Valve	7-31
Figure 7–16. Replacing the Detector Assembly	7-33
Figure 7–17. Replacing the RTD	7-34
Figure 7–18. Replacing the Transformer	7-35
Figure 7–19. Replacing the Radius Tube	7-36
Figure 7–20. Replacing the Ambient RH/Temperature Assembly	7-38
Figure 7–21. Replacing the Front Panel Board and the LCD Module.....	7-39
Figure 8–1. Hardware Components	8-2
Figure 9–1. Bench Mounting.....	9-4
Figure 9–2. EIA Rack Mounting	9-5
Figure 9–3. Retrofit Rack Mounting.....	9-6
Figure 9–4. Rack Mount Option Assembly	9-7
Figure 9–5. Roof Flange Assembly	9-8
Figure 9–6. Securing the Roof Flange.....	9-9
Figure 10–1. SHARP Optics Connection Bracket.....	10-2
Figure 10–2. Tape Pick-up Spool Removal	10-3
Figure 10–3. Filter Tape Installation Pathway.....	10-4
Figure 10–4. Connecting Connection Bracket Wiring to Measurement Interface Board	10-5
Figure 10–5. Radius Tube Adapter Install	10-6
Figure 10–6. Radius Tube Adapter Alignment Check.....	10-6
Figure 10–7. Rear Valve Assembly Installation.....	10-7
Figure 10–8. Plumbing Diagram.....	10-8
Figure 10–9. Optics Installation	10-9
Figure 10–10. Connecting the Optics to the Optics Connector	10-9
Figure 10–11. Upgrading 5030i Heater Assembly	10-10
Figure 10–12. Connecting Heater to Optics Assembly Cover	10-11
Figure 10–13. Front Panel Label Replacement.....	10-11
Figure B–1. Flags Field.....	B-10

Tables

Table 1–1. Model 5014 <i>i</i> Specifications	1-7
Table 2–1. Pressure Units Conversion.....	2-6
Table 2–2. I/O Terminal Board Pin Descriptions	2-17
Table 2–3. Default Analog Outputs	2-18
Table 2–4. D/O Terminal Board Pin Descriptions.....	2-19
Table 2–5. 25-Pin Terminal Board Pin Descriptions.....	2-20
Table 3–1. Front Panel Pushbuttons	3-3
Table 3–2. Standard Ranges.....	3-11
Table 3–3. Default Analog Outputs	3-12
Table 3–4. Analog Output Zero to Full-Scale	3-45
Table 3–5. Signal Type Group Choices.....	3-47
Table 6–1. Troubleshooting - General Guide	6-2
Table 6–2. Troubleshooting - Alarm Messages	6-4
Table 6–3. Motherboard Connector Pin Descriptions	6-8
Table 6–4. Measurement Interface Board Connector Pin Descriptions	6-13
Table 6–5. Front Panel Board Connector Pin Diagram.....	6-17
Table 6–6. I/O Expansion Board (Optional) Connector Pin Descriptions	6-19
Table 6–7. Digital Output Board Connector Pin Descriptions	6-20
Table 7–1. Model 5014 <i>i</i> Replacement Parts	7-5
Table 7–2. Model 5014 <i>i</i> Cables.....	7-6
Table 7–3. External Device Connection Components	7-7
Table 7–4. Analog Output Channels and Rear Panel Pin Connections.....	7-20
Table 7–5. Analog Input Channels and Rear Panel Pin Connections.....	7-20
Table 8–1. RS-232 DB9 Connector Pin Configuration	8-10
Table 8–2. RS-485 DB9 Connector Pin Configuration	8-10
Table 9–1. Cable Options.....	9-2
Table 9–2. Color Codes for 25-Pin and 37-Pin Cables	9-3
Table 9–3. Mounting Options	9-3
Table B–1. Error Response Messages	B-3
Table B–2. C-Link Protocol Commands	B-3
Table B–3. Record Output Formats	B-24
Table B–4. Stream Time Values.....	B-27
Table B–5. Standard Ranges	B-39
Table B–6. Contrast Levels.....	B-41
Table B–7. Allow Mode Command Values	B-46
Table B–8. Reply Termination Formats	B-48

Tables

Table B–9. Set Layout Ack Values.....	B-49
Table B–10. Power Up Mode Values.....	B-50
Table B–11. Analog Current Output Range Values.....	B-51
Table B–12. Analog Voltage Output Range Values.....	B-52
Table B–13. Default Analog Output Channel Assignments.....	B-53
Table C–1. Read Coils for 5014 <i>i</i>	C-8
Table C–2. Read Registers for 5014 <i>i</i>	C-9
Table C–3. Write Coils for 5014 <i>i</i>	C-11
Table D–1. Operating Status for Model 5014 <i>i</i>	D-7
Table D–2. Error Status for Model 5014 <i>i</i>	D-8
Table E–1. Read Commands for 5014 <i>i</i>	E-1
Table E–2. Write Commands for 5014 <i>i</i>	E-2
Table E–3. Control Commands for 5014 <i>i</i>	E-2

Chapter 1

Introduction

The Model 5014*i* Continuous Ambient Particulate Monitor continuously measures the mass concentration of suspended and refined particulates (e.g., TSP, PM₁₀, PM_{2.5}, and PM₁) by the use of beta attenuation. In addition, the influence of natural Radon (Rn-222) gas is corrected for as a mass refinement step allowing better sensitivity at lower ambient particulate concentrations.

In contrast to other beta attenuation monitors using Carbon-14 (C-14) as a source of the beta rays, the Model 5014*i* particulate sample collection area is located between both the C-14 source and the proportional counter. While ambient particulate is being deposited onto a filter tape sample spot, the dynamic filter loading is measured simultaneously by the attenuation of the C-14 source beta rays. As a result of this configuration, a continuous real-time measurement of airborne particulate is provided. It is not necessary to move the filter spot from the sample position to a separate detector position for zero and mass determinations (old step-wise method of beta attenuation monitors). Therefore, uncertainties associated with step-wise filter transport are eliminated by the use of this continuous ambient particulate monitoring method.

Another unique design of the Model 5014*i* is that it takes into consideration background interferences with known beta attenuation methods. When present, the daughter nuclides of the natural noble gas Radon (Rn-222) attach to airborne particulates, which are then collected on the sample filter during mass measurement. Some of the radioactive daughter nuclides are also an emitter of beta rays interfering with the measurement of the particulate mass. The effect of the interference is generally greatest during:

- The first 90 minutes after a filter change until the radiological equilibrium on the filter is reached
- Periods of rapidly changing Radon gas levels
- When the activity of the C-14 source is very low

Introduction

Principle of Operation

In the Model 5014*i*, a discrimination technique is applied whereby the count rate created by the airborne natural activity is measured and corrected for in the gross particulate count rate. This eliminates any interference and enables the possibility to use a C-14 source with reduced activity. The ability to count the potential interferences of Radon gas stems from the use of a proportional detector, which enables the Model 5014*i* to measure both β and α particles. The proportional detector is filled with a rigid counting gas and has a life-time of more than 10 years with a <100 μCi C-14 source. Any deterioration of the detector performance will be identified before it has an effect on the particulate measurement by the continuous plateau check procedure performed during operation.

The sample flow rate is controlled by means of a proportional solenoid valve. This valve opening varies according to the flow rate measured across a precision orifice.

A complete particulate measuring assembly consists of the following main parts:

- Central Monitoring Unit (5014*i* Continuous Particulate Monitor)
- Ambient Inlet Sampling System (TSP, PM₁₀, PM_{2.5})
- Dynamic Heater
- Diaphragm Vacuum Pump
- External Ambient T/RH Sensor Assembly
- Internal Data Recording Unit and External Communication Ports
- Optional 6-Ft. Insulated Extension Tube(s)
- Optional Tripod Support

The Model 5014*i* combines proven technology, easy to use menu-driven firmware, and advanced diagnostics to offer unsurpassed flexibility and reliability. The Model 5014*i* has the following features:

- 320 x 240 pixels graphics display
- Menu-driven firmware
- Field programmable ranges
- Multiple user-defined analog outputs
- Analog input options
- Linearity through all ranges
- User-selectable digital input/output capabilities
- Standard communications features include RS-232/485 and Ethernet

- C-Link, MODBUS, Gesytec (Bayern-Hessen), ESM Protocol, streaming data, and NTP (Network Time Protocol) protocols. Simultaneous connections from different locations over Ethernet.
- Radon gas activity measurement (Rn-222; noble gas) and mass refinement
- Flexible data storage configurations
- Volumetric air flow rate control with actual and standard conditions concentration data output
- Processor controlled calibration of all sensors
- Detector Life ~10 years
- C-14 activity below USA authorized limit values; shipped as non-hazardous material under Code UN2911; easy handling of the source and instrument. No license is needed in most countries.

For details of the analyzer's principle of operation and product specifications, see the following topics:

- [“Principle of Operation”](#) on page 1-3
- [“Specifications”](#) on page 1-7

Thermo Fisher Scientific is pleased to supply this continuous ambient particulate monitor. We are committed to the manufacture of instruments exhibiting high standards of quality, performance, and workmanship. Thermo service personnel are available for assistance with any questions or problems that may arise in the use of this instrument. For more information on servicing, see the [“Servicing”](#) chapter.

Principle of Operation

The Model 5014*i* uses the radiometric principle of beta attenuation through a known area on a fibrous filter tape to continuously detect the mass of deposited ambient particles. Additionally, the Model 5014*i* measures alpha particle emissions directly from the ambient aerosol being sampled and excludes negative mass artifacts from the daughter nuclides of radon gas decay to achieve a refined mass measurement. Simultaneous refined mass measurements of sampled particulate on the filter tape and sample volume measurement provide a continuous concentration measurement of ambient particulate concentration.

[Figure 1–1](#) provides a schematic of the components used within the Model 5014*i*. Within the measurement chamber the four key components are 1) the proportional detector, 2) particle collection onto a glass fiber filter tape, 3) a vertical moving vacuum chamber plate, and 4) the ^{14}C beta source <100 μCi (<3.7 Mbq). Based on this schematic, a description of operation is provided.

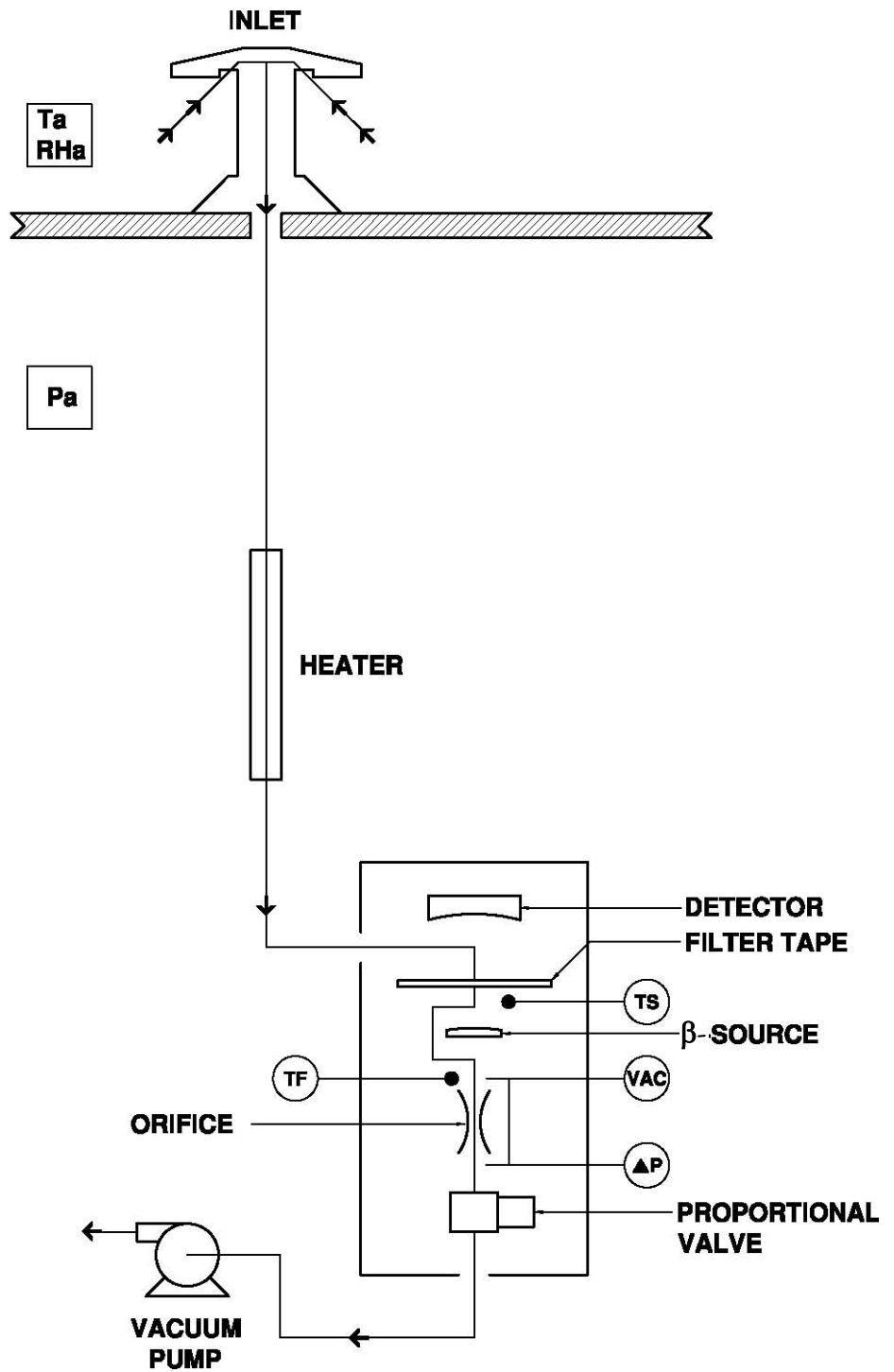


Figure 1–1. Model 5014*i* Flow Schematic

A clean filter spot is introduced by an automatic filter change to the combined sampling and detection chamber at least every 24 hours, usually centered at midnight. However, the official filter tape change frequency for TUV and U.S. EPA testing for both PM_{2.5} and PM₁₀ is every 8 hours. The automatic filter changes are controlled by the instrument firmware which halts the pump operation, lowers the vacuum chamber plate, advances the filter tape a fixed length, raises the vacuum chamber plate, and initiates the pump operation and a zeroing of the sample spot. Immediately after a filter change, a new measurement cycle is initiated with an automatic zero adjustment of the mass signal. The filter change interval and time of day can be user adjusted. Additionally, automatic filter changes will occur if the mass on the filter exceeds 1,500 µg since the last filter change or if the flow rate through the filter tape is reduced by more than 5% due to potentially restrictive particle deposition.

Using the example of PM₁₀ monitoring, ambient air is drawn into a 10 micron (µm) size selective inlet which discriminates against particles with an equivalent aerodynamic diameter above 10 µm. This inlet has been approved previously through prior U.S. EPA designations (RFPS-0699-130, 131, and 132) and is also listed within 40 CFR Part 50, Appendix L as a 10-MICRON INLET (including model SA246b). The volumetric flow rate at the inlet entrance is 16.67 liters per minute (1 m³/hour). In addition, the ambient temperature and relative humidity is measured via a naturally aspirated radiation shield and standard sensor as part of the volumetric flow control and dynamic heating system.

Note Further particle discrimination would be achieved by inserting a PM_{2.5} or PM₁ cyclone between the 10-micron inlet and sample tube. TSP inlets and European-style inlets are also available with the 5014*i*. ▲ The ambient particulate is then drawn down a vertically mounted heated sample tube. The heat applied to the sample is adjustable to either a fixed temperature or a RH-threshold at the filter spot. The purpose of heating the sample is to reduce particle bound water and to decrease the relative humidity (RH) of the sample stream. This is done to reduce positive artifact measurement that can potentially occur as a result of condensation on the filter tape or conditions of elevated humidity. The heater is controlled by the CPU and the power applied is proportional to the conditions.

To help with practical guidance, based on our long-term tracking of instrument performance data and consideration of results of manual comparison data from a certain number of Chinese users, the factory RH% threshold default value is set to 35%, based on which, the factory test is executed. To adjust this humidity setting for better accordance with local weather conditions, always refer to local regulations and ensure the setting compatible with gravimetric sampling method results at the same location as the instruments being operated.

At the location where the sampling tube attaches to the Model 5014*i* instrument case, a radial insulated tube joins the sampling tube to the collection chamber. The particulate is drawn onto the glass fiber filter tape between the proportional detector and the ¹⁴C beta source. Here, the beta beam passes upwards through the filter tape and accumulated particulate layer.

load resulting in a reduced beta intensity measured by the proportional detector. From a continuously integrated count rate the mass on the filter tape is calculated. During sampling, the mass on the filter spot is always known and the rate of particulate accumulation is observed.

A continuous measurement of the flow rate determines the sample volume. A proportional valve is used to maintain the sample flow rate at its nominal value. From both integrated sample volume and mass detection the particulate concentration is calculated. At any given time the output signal delivers the concentration of particulate in actual or standard conditions.

The Model 5014*i* outputs particulate matter concentrations to the front panel display, the analog outputs, and also makes the data available over the serial or Ethernet connection.

Additionally, the Model 5014*i* proportional detector is sensitive to natural alpha activity of the aerosol passing through the sampling system. The additional alpha count rate is used to measure the presence of Radon gas and infer the daughter nuclides of Radon gas. These daughter nuclides create a small beta emission. This externally sampled beta emission is perceived by the detector to be a higher count rate and the higher the count rate, the less apparent mass detected. Therefore, by measuring the natural alpha activity due to Radon gas, the proportional beta interference from the daughter nuclide emissions are subtracted from the count rate to provide a refined mass measurement. This potential error from Radon gas interference may be (in lower strength radioactive devices; e.g.; <100 μCi) as high as actual particle concentrations, especially after filter change or when the natural activity concentration changes. The Model 5014*i* has implemented this procedure to determine separately the natural activity in the aerosol and to eliminate this error. This procedure further allows the Model 5014*i* to provide a more stable reading at lower ambient particulate concentrations compared to similar methods. Furthermore, from this information the activity concentration of the natural noble gas Radon is derived.

The measurement chamber houses an RTD temperature sensor. The T-sensor directly measures the temperature of the incoming sample stream for a continuous air mass compensation, and the flow system. The flow and ambient sensor measurements are combined within a firmware algorithm to maintain an accurate measurement and control of volumetric flow at the inlet and through the differential orifice.

The Model 5014*i* also includes three pressure sensors to measure the differential pressure across a subsonic orifice, vacuum under the filter tape, and barometric pressure. The flow P-sensor is solely used for measurement at the orifice for flow rate control. The vacuum sensor is used for air mass compensation, as an indicator for clogging of the system and is included in

the volumetric flow control. The barometric P-sensor is used for air mass compensation and for volumetric flow rate regulation.

The volumetric flow system is built on a calibrated feedback signal from the CPU to the proportional valve signal. By using this flow control, flow stability is easily maintained.

Specifications

Table 1–1 lists the specifications for the Model 5014*i*.

Table 1–1. Model 5014*i* Specifications

Safety/Electrical Designations	
Designed to meet:	
CE: EN 61326:1997 + A1:1998 + A2:2001 + A3:2003, EN:61010-1	
UL: 61010-1:2004	
CSA: C22.2 No. 61010-1:2004	
FCC: Part 15 Subpart B, Class B	
Source and Detector	
β Source: Carbon-14, <3.7 MBq (<100 μ Ci) Sealed Source Device	
Proportional Detector	
Standard System Configuration	
Menu-driven software for user interaction via 320 x 420 pixels graphics display	
Connecting and Interface Cables, and Vacuum Pump	
3-foot heated sample tube	
Ambient T/RH Assembly	
Consumables for average first year's operation (ambient)	
<i>i</i> Port Software for Local or Remote Communication	
Sample Heater	
3-foot insulated heater tube	
Three Modes of Heater Control	OFF – Heater is turned off in non condensing environment TEMP – fixed sample temperature RH – Dynamic Heating of sample at set sample RH threshold (e.g., 50% RH)
Instrument Performance (16.67 l/min, 1s, stable conditions)	
Measurement Range:	0 to 1.0, 2.0, 3.0, 5.0, 10.0 mg/m ³ 0 to 100, 1,000, 2,000, 3,000, 5,000, 10,000 μ g/m ³
Minimum Detection Limit:	<4 μ g/m ³ (1 hour) @ 2 σ <1 μ g/m ³ (24-hour) @ 2 σ
Resolution: 0.1 μ g/m ³	

Precision: $\pm 2.0 \mu\text{g}/\text{m}^3 < 80 \mu\text{g}/\text{m}^3$; $4\text{-}5 \mu\text{g}/\text{m}^3 > 80 \mu\text{g}/\text{m}^3$ (24-hour)

Accuracy for Mass Measurement: $\pm 5\%$ using NIST-traceable mass foil set

Data Averaging and Output

Real-time Mass Conc Average: 20 minutes

Long-Term Averaging: 60 to 3,600 sec and 24-hour

Data Output Rate: every 1 second

Operating Range

The temperature of the sampled air may vary between -30 and 50 °C. The 5014*i* units must be weather protected within the range of 4 °C to 50 °C.

An optional Complete Outdoor Enclosure provides complete weather protection.

Non-condensing; $< 95\%$ RH inside 5014*i*

Sample Flow

Volumetric flow control system uses a calibrated subsonic precision orifice and the measured ambient temperature and pressure to maintain constant volumetric flow rates.

Nominal Flow Rate: 16.67 L/min

Flow Precision $\pm 2\%$ of measured value

Flow Accuracy $< 5\%$ of measured value

Data Storage

Internal data logging of user-specified variables; capacity of 190,000 records.

Filter Media

Sample Filter: Glass fiber filter type (width 40 mm; length: 17 m) Whatman, Inc.

Inlet Accessories

TSP

European or U.S. EPA PM10 Inlets

European or U.S. EPA PM2.5 Inlet Configurations

PM2.5 VSSC™

PM1.0 SCC

Tripod

Data Output and Input

iPort software to view and change system operation from PC

Outputs: Selectable Voltage, RS232/RS485, TCP/IP, 10 Status Relays, and Power Fail Indication (standard). 0-20 or 4-20 mA Isolated Current Output (optional)

Inputs: 16 Digital Inputs (standard), Eight 0 to 10 VDC Analog Inputs (optional) 8 User-Defined Analog Outputs (0 -1 or 0 -5 VDC)

Protocols: C-Link, MODBUS, Geystitech (Bayern-Hessen), ESM Protocol, streaming data, and NTP (Network Time Protocol) protocols. Simultaneous connections from different locations over Ethernet.

2 User-Defined Contact Closure Alarm Circuits

4 Averaged Analog Inputs (0–5 VDC) with user-defined conversion to engineering units

Data Storage

Maximum of 190,000 Concentration records with date, time, and flags

Up to 32 types of logged data parameters, increased parameters reduces number of records

Power Requirements

Model 5014i: 100-240 VAC, 50-60 Hz

Pump: 115 VAC 50-60 Hz, 4.25 A

Maximum Power: 805 Watts (115V); 880 Watts (220-240V)

Physical Dimensions

W: 16.75" (42.5 cm) x D: 23" (58.4 cm) x H: 8.62" (21.9 cm)

Weight: 40 lbs. (19 kg)

Chapter 2

Installation

The following installation procedures for the Model 5014*i* describes packaging, lifting the instrument, unpacking the instrument, setup and installation, including the sample tube and pump, and attaching the analog and/or digital outputs to a recording device. The installation should always be followed by instrument calibration as described in the “[Calibration](#)” chapter of this manual.

This chapter provides the following recommendations and procedures for installing the instrument:

- “[Packaging and Transport](#)” on page 2-1
- “[Lifting](#)” on page 2-2
- “[Unpacking and Inspection](#)” on page 2-2
- “[Acceptance Testing and Startup Procedures](#)” on page 2-3
- “[Setup](#)” on page 2-9
- “[Connecting External Devices](#)” on page 2-16
- “[Startup](#)” on page 2-21
- “[Data Content](#)” on page 2-22
- “[Shutdown](#)” on page 2-22
- “[Important Tips](#)” on page 2-22

Packaging and Transport

The Model 5014*i* instrument, power cord, and operator manual are shipped in an ISTA 2A-certified packaging and all other items/accessories are shipped separately. The ISTA 2A-certified packaging is comprised of the instrument within an inner box which is secured within an outer box using foam end-caps and corner bracing. In this configuration, the packaging is ready for shipping by carrier domestically and internationally.

The inner box that the instrument resides in is an ISTA 1A-certified packaging and is appropriate for transporting the instrument on local paved roads to the monitoring site. Precautions should be taken to secure this package from shifting during local transport.

Using the ISTA-2A packaging is strongly recommended for transporting the instrument over poor roads or on highways.

Lifting

When lifting the instrument, use a procedure appropriate to lifting a heavy object, such as bending at the knees while keeping your back straight and upright. Grasp the instrument at the bottom in the front and at the rear of the unit. Although one person may lift the unit, it is desirable to have two persons lifting, one by grasping the bottom in the front and the other by grasping the bottom in the rear.



Equipment Damage Do not attempt to lift the instrument by the cover or other external fittings. ▲

Unpacking and Inspection

If there is obvious damage to the shipping container when the instrument is received, notify the carrier immediately and hold for inspection. The carrier is responsible for any damage incurred during shipment.

Use the following procedure to unpack and inspect the instrument.

1. Remove the instrument from its shipping container(s) and set it on a table or bench that allows easy access to both the front and rear.
2. Remove the cover to expose the internal components.
3. Remove the packing material in the analyzer (Figure 2–1).

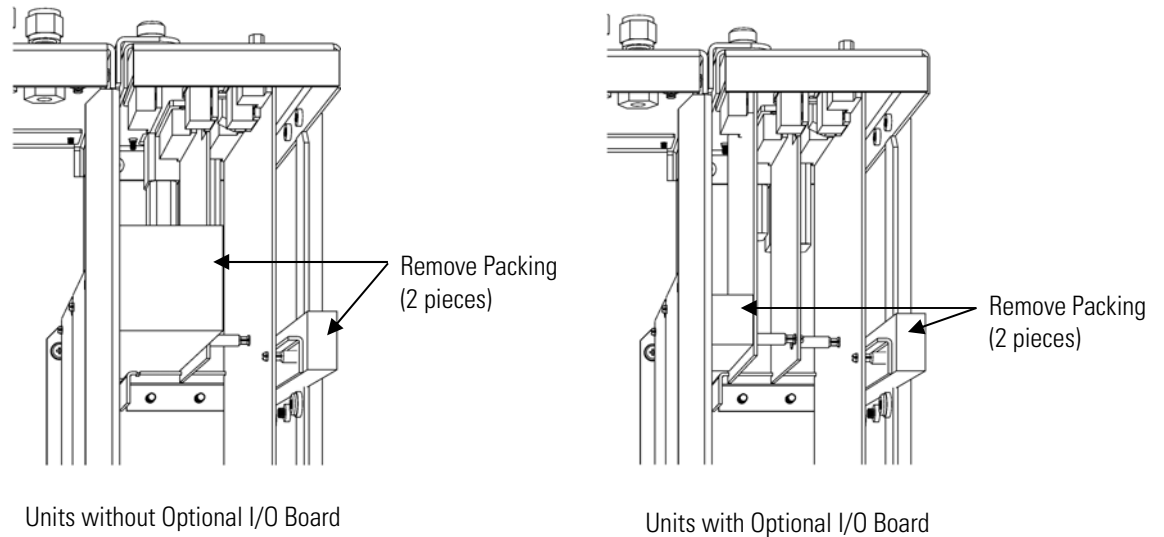


Figure 2–1. Remove the Packing Material

4. Check for possible damage during shipment.
5. Check that all connectors and circuit boards are firmly attached.
6. Re-install the cover.
7. Remove any protective plastic material from the case exterior.
8. Remove the external pump from its shipping container and place next to the instrument.

Acceptance Testing and Startup Procedures

The Model 5014*i* has been bench tested and calibrated at the factory prior to shipping. The mass sensors, RH sensor, internal sample temperature sensor, flowmeter temperature sensor, external ambient temperature sensor, barometric pressure, and volumetric flow rate have been calibrated to traceable standards. For a quick start, proceed immediately to the “Startup” procedures and skip the “Bench Acceptance Test”.

To assure the best quality data, it is recommended that you perform an acceptance test. Furthermore, as part of a quality assurance program acceptance testing will be conducted prior to field installation. This is an excellent opportunity to compare the monitor to the primary and transfer standards that are being used within the monitoring program.

Furthermore, it is an opportunity to assure that the monitor is operating according to the manufacturer specifications.

After acceptance testing, a completed monitoring installation will require final volumetric flow rate verification.

Acceptance Test

Prior to installing the Model 5014*i*, you should perform the acceptance testing procedures. These tests are conducted to evaluate the out-of-box performance of the instrument, perform any necessary calibrations prior to final site installation, and familiarize the user with the menu structure.

Use the following procedure to perform the bench acceptance test.

Equipment Required:

Model 5014*i*

Power Cord

Ambient Temperature/RH Cable Assembly

Vacuum Pump Assembly

Flow Adapter Assembly

NIST-traceable Thermometer

NIST-traceable Hygrometer

NIST-traceable Barometer

NIST-traceable Manometer(s)

NIST-traceable Volumetric Flow Transfer Standard

(Do not use the heated sample tube assembly at this point.)

9. After unpacking the instrument place the Model 5014*i* and accessories onto a table or bench located within a stable indoor environment. Remove the side-panel cover and inspect the filter tape. Leave cover OFF until after acceptance testing has been completed.

Note Prior to continuing with acceptance testing, the instrumentation and accessories should have sufficient time to equilibrate to room temperature due to temperature variations during shipping and/or storage. ▲

10. Following a sufficient equilibration period, connect the power cord to the rear of the instrument and to a properly grounded power supply.

Note If the Model 5014*i* turns ON at this point, set the power switch to the OFF position and then proceed. ▲

11. Connect the green vacuum tube to the pump intake and to the vacuum port mounted on the rear panel of the instrument by use of the push-connect fittings.
12. Connect the vacuum pump power cord to the white circular grounded power supply, labeled PUMP, on the rear panel of the instrument.
13. Connect the 4-pin Temperature/RH cable to the 4-pin connector labeled RH/TEMP on the rear of the monitor.
14. Be sure that the pressure sensor calibration port toggle switches on the rear panel are pushed outward and away from the barbed +/- Delta P.
15. Set monitor power switch to the ON position.


During startup, the *i*Series splash screen will be shown followed by a mechanical filter tape change and a cycling of the pump power.

To continue with the acceptance testing:

- From the Main Menu select Diagnostics > **RH/Temperatures**.

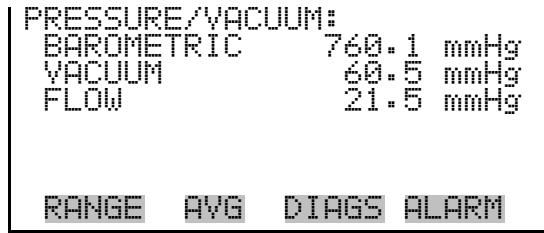
```
RH/TEMPERATURES:
AMBIENT RH      40.0  %
SAMPLE RH      36.4  %
AMBIENT TEMP   22.9  °C
FLOW TEMP      23.9  °C
BOARD TEMP     24.9  °C↓
RANGE  AVG  DIAGS  ALARM
```

The RH/Temperatures screen (read only) displays the current relative humidity in percent and the temperature readings in °C. The board temperature is the air temperature measured by a sensor located on the measurement interface board.

- Press  to return to the Diagnostics menu, and choose **Pressure/Vacuum**.

Installation

Acceptance Testing and Startup Procedures



The Pressure/Vacuum screen (read only) displays the barometric, vacuum, and flow pressure readings in mmHg. The pressure is measured by a pressure transducer. The vacuum is the amount of vacuum under the filter tape. The flow pressure is the pressure differential across the orifice.

Table 2–1. Pressure Units Conversion

Pressure Conversions

$$\text{mmHg} = \text{atm} \times 0.75006$$

$$\text{mmHg} = \text{inHg} \times 25.4$$

$$\text{mmHg} = \text{hPa} \times 0.75006$$

Assuming adequate time has passed for thermal equilibration (approximately 1 hour), and the vacuum pump has been drawing room air into the instrument, compare the ambient temperature, sample temperature, and flow temperature to your NIST traceable thermometer placed at the inlet tube (see [Figure 2–2](#)).

Note Please be sure that the pump exhaust or any other heat source is not influencing the sensor reading of the temperature/RH cable assembly. Please be sure the side panel has been removed for at least 60 minutes. ▲

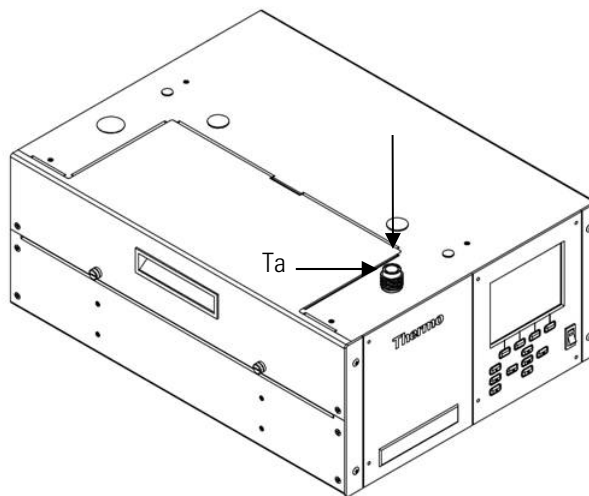


Figure 2–2. Model 5014i Sampling Room Air Under Stable Conditions

One-Point Temperature Verification

Record the temperature sensor readings from the Model 5014*i* and compare to your NIST-traceable thermometer. Each of these measurements should be within ± 2 °C tolerance of your NIST-traceable thermometer. Within this tolerance, the temperature sensors have passed the acceptance test.

If the sensors are slightly out of tolerance (± 3 °C), the acceptance test should be classified as marginal. If the sensor performance is outside this range, please perform a temperature sensor calibration.

For more information about the temperature sensor calibration, see the “[Calibration](#)” chapter.

One-Point RH Sensor Verification

Record the ambient RH sensor reading from the Model 5014*i* and compare to your NIST-traceable Hygrometer. The Model 5014*i* RH sensor should compare within $\pm 2\%$ RH tolerance of your NIST-traceable hygrometer. If the RH sensor performance is within this tolerance, the acceptance test has passed.

Note The ambient temperature verification should be completed prior to performing the RH-sensor verification due to a thermal compensation applied to the RH-sensor. Furthermore, try to avoid RH comparisons $< 30\%$ RH and $> 80\%$ RH. ▲

If the RH sensor is slightly out of tolerance, $\pm 3\%$ RH, the acceptance test should be classified as marginal. If the sensor performance is outside this range, please perform a RH-sensor calibration.

For more information about the RH sensor calibration, see the “[Calibration](#)” chapter.

It is recommended that the NIST-traceable hygrometer should also compare well with the RH-measurement used within a gravimetric laboratory that is part of a compliance program.

One-Point Barometric Pressure Verification

Record the Model 5014*i* barometric pressure sensor reading. This value is in units of mmHg. If necessary, using the pressure unit conversion ([Table 2–1](#)) to convert your NIST-traceable measurement to units of mmHg for an appropriate comparison. The Model 5014*i* barometric sensor should compare within ± 10.0 mmHg tolerance of your NIST-traceable barometer. If the Model 5014*i* sensor performance is within this tolerance, the acceptance test has passed.

If the sensor is slightly out of tolerance, ± 12 mmHg, the acceptance test should be classified as marginal. If the sensor performance is outside this range, please perform a sensor calibration.

For more information about the barometric pressure sensor calibration, see the “[Calibration](#)” chapter.

One-Point Volumetric Flow Rate Verification

The flow rate of the Model 5014*i* should be verified during this acceptance test. Prior to this test it is important for the previous temperature and pressure acceptance tests to be completed. Should the ambient temperature, flow temperature or barometric sensors require calibration, this should be done prior to the flow rate verification.

- Press  to return to the Diagnostics menu, and choose **Flows**.



The Flow screen (read only) displays the volumetric flow rate in liters per minute. The flow is measured by the internal pressure board sensors.

Attach the small sample tube adapter to the Model 5014*i* inlet. Depending upon your NIST-traceable volumetric flow transfer standard (FTS), you may either attach your FTS now or add the flow audit adapter to accommodate any flexible tubing that your FTS may require. Allow 60 seconds to stabilize the flow after connecting.

Record the Model 5014*i* Volumetric Flow Rate as Q_m and the FTS flow rate as Q_i , assuring that both are being recorded in units of actual liters per minute. Take three readings each from Q_m and Q_i and average the respective values. Use the following equation to calculate the percent difference:

$$\%D = 100 \times \frac{Q_m - Q_i}{Q_i}$$

If %D is within $\pm 4\%$, then the Model 5014*i* volumetric flow rate acceptance test has passed. If the Model 5014*i* volumetric flow rate is slightly out of tolerance, $\pm 5\%$, the acceptance test should be classified as

marginal. If the volumetric flow rate performance is outside this range, please perform a volumetric flow calibration.

For more information about the volumetric flow rate calibration, see the “[Calibration](#)” chapter.

Setup

Setting up this monitor includes siting the monitor per local government agency requirements, creating a waterproof inlet system installation with vertical support, connecting the inlet system to the instrument through the dynamic heater system, connecting vacuum lines, establishing datalogging setting, and making the power connections.

Inlet System

When siting the inlet system, it is best to first establish the instrument location and height within the air monitoring station. From whatever chosen surface the instrument is to rest on (rack or table top), add approximately 17 inches to that height to allow for overall height of the 5014*i* monitor.

Next allow approximately 40 inches to attach the heated sample tube to the top of the 5014*i* via 5/8-inch OD tubing unions that use Teflon ferrules.

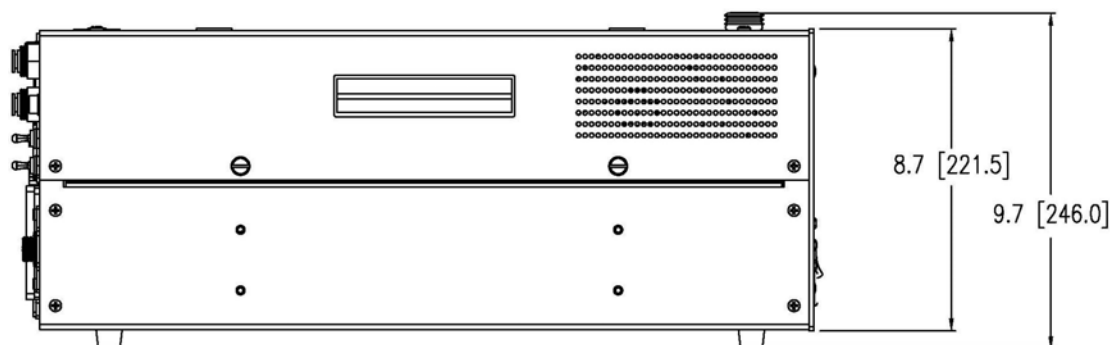


Figure 2–3. Model 5014*i* Side View—inches [millimeters]

It is also important to locate the roof flange installation in vertical alignment with the inlet of the instrument. By reviewing the top view drawing of the instrument ([Figure 2–3](#)), the roof flange must be centered in direct alignment with the 5/8-inch OD tube entering the 5014*i* instrument.

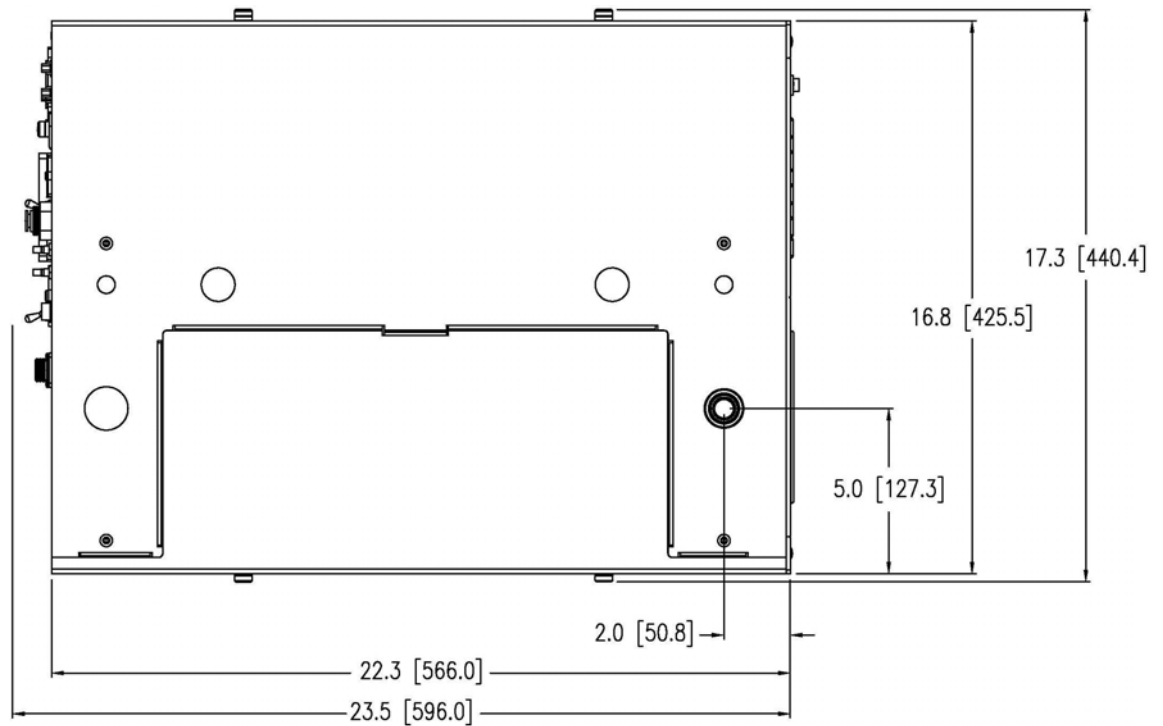


Figure 2-4. Model 5014*i* Top View—inches [millimeters]

Heater

Once the x-y coordinates of the instrument and roof flange system are established and a waterproof flange system has been installed, perform a dry run by attaching the heated sample tube on top of the 5014*i* base. If the heated tube protrudes through the roof flange, either the instrument should be lowered or an elongated PVC sleeve and cap system should cover the heater while maintaining a waterproof seal. However, for the remainder of this description, it is assumed the heater will fit within the ceiling height of the air monitoring station.

Based on the vertical height requirements, use additional 5/8-inch OD stainless tubing and connectors to make up the difference between the desired inlet height and the top of the heater.

Additional routing is necessary for the ambient T/RH sensor assembly.

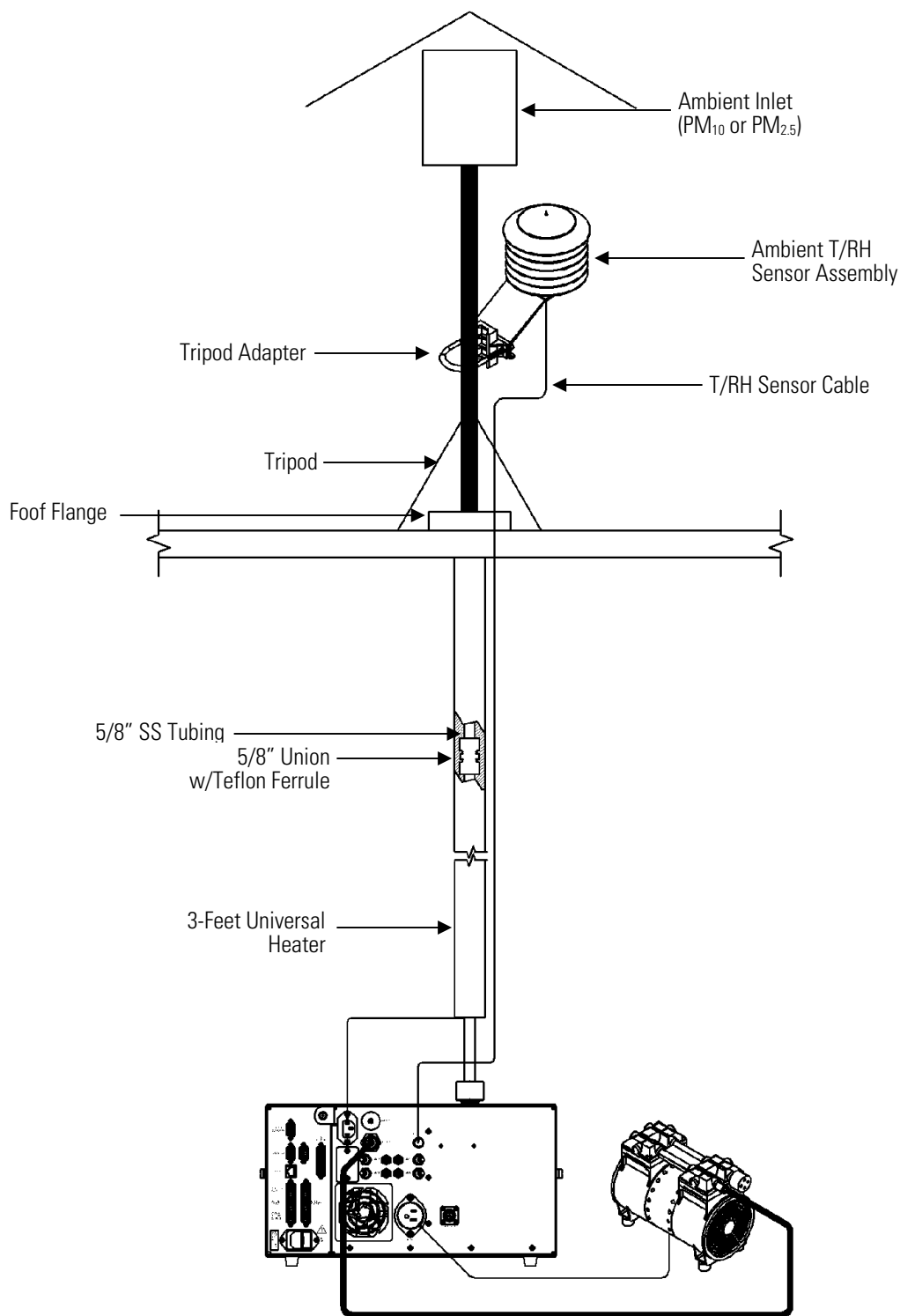


Figure 2-5. Model 5014i Vertical View

Sample Tube Extension Lengths

There is one standard length of heated sample tube at one meter. Sample tube extensions are used for added height.

Rack Mounting Option

One limiting factor when siting the Model 5014*i* is placement within a standard 19-inch rack mounting. Future planning should be made to reserve the topmost rack mounting position available due to the vertical positioning of the sample tube directly from the roof into the top of the Model 5014*i*. In addition, modification to the rack cabinet to accommodate the vertical tubing connection also needs to be considered prior to installation. For more information, see Chapter 9 “[Optional Equipment](#)”.

Review the following installation steps prior to field installation.

Monitor Installation

Once all height requirements are established, the following steps are usually taken to complete the installation.

1. Remove cover to the 5014*i* base and inspect for proper filter tape installation.
2. Place 5014*i* unit in place of intended operation.
3. Attach the insulated heater tube assembly to the 5/8-inch OD tube on top of the 5014*i* ([Figure 2–6](#)).

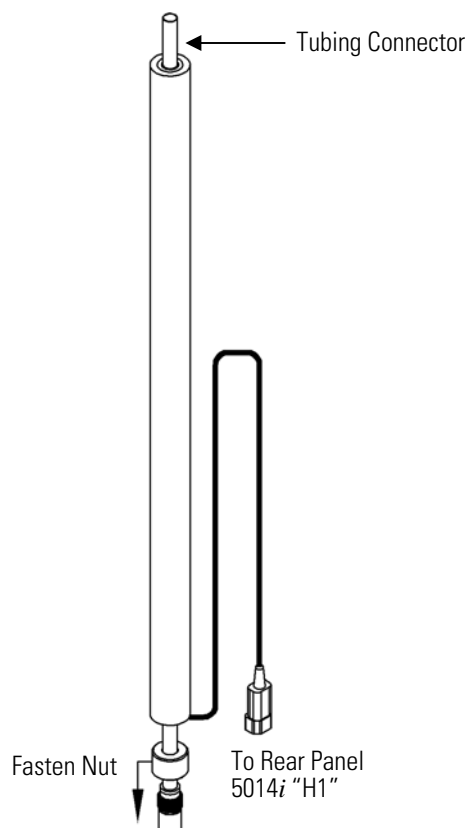


Figure 2–6. Heater Assembly

4. Attach a second tubing connector to the top of the heater tube.
5. Carefully push additional 5/8-inch OD stainless steel tubing through the roof flange and then drop into the tubing union on top of the heater.
6. Any exposed 5/8-inch OD stainless steel tubing should be insulated with additional pipe insulation inside the shelter.
7. Sleeve any additional water tight capping over the tubing that now extends above the roof line.
8. Sleeve the white Delrin plastic tripod adapter over the 5/8-inch OD tubing to an appropriate height to accommodate the tripod and ambient T/RH sensor assembly. Tighten this adapter against the stainless steel tubing using the two setscrews.

Installation

Setup

9. Sleeve the tripod over the tripod adapter to a proper height and tighten. Using the adjustable legs of the tripod, plumb the inlet tube assembly.
10. Attach the white ambient T/RH sensor radiation shield assembly onto a portion of the exposed tripod adapter.
11. Place the PM₁₀ or PM_{2.5} inlet into the 5/8-inch stainless steel tubing (all burrs should have been removed during installation).
12. Feed one end of the black 25-foot T/RH cable through the roof flange assembly and connect to the bottom of the ambient T/RH assembly.
13. Connect the other end of the T/RH cable to the back of the instrument (RH Temp).
14. Attach the heater power connector to HEATER 1.

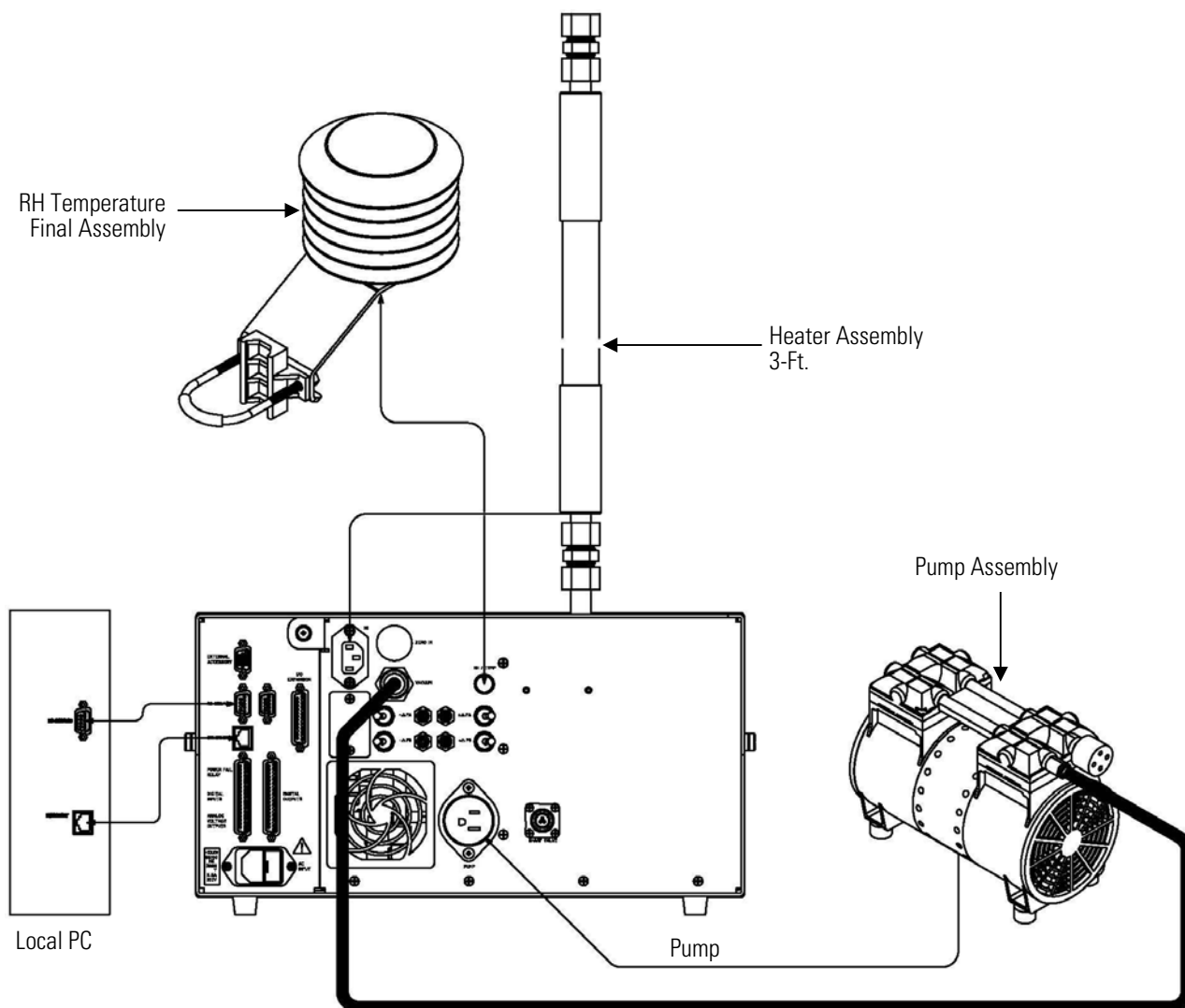


Figure 2–7. Rear Panel Plumbing Schematic

15. Using the available 3/8-inch green vacuum tubing, connect the intake of the pump to the vacuum fitting at the rear panel of the 5014*i*.
16. Plug the pump power chord into the AC PUMP receptacle at the rear of the 5014*i* base instrument.

Connecting External Devices

Several components are available for connecting external devices to *iSeries* instruments.

These connection options include:

- Individual terminal board PCB assemblies (standard)
- Terminal block and cable kits (optional)
- Individual cables (optional)

For detailed information on the optional connection components, refer to the “[Optional Equipment](#)” chapter. For associated part numbers, refer to “[External Device Connection Components](#)” on page 7-7.

Terminal Board PCB Assemblies

The terminal board PCB assemblies are circuit boards with a D-Sub connector on one side and a series of screw terminals on the other side. These assemblies provide a convenient mechanism for connecting wires from a data system to the analyzer’s I/O connectors.

The following terminal board PCB assemblies are available for *iSeries* instruments:

- I/O terminal board PCB assembly, 37 pin (standard)
- D/O terminal board PCB assembly, 37 pin (standard)
- 25-pin terminal board PCB assembly, (included with optional I/O expansion board)

I/O Terminal Board

[Figure 2–8](#) shows the recommended method for attaching the cable (customer supplied) to the terminal board using the included tie-down and spacer. [Table 2–2](#) identifies the connector pins and associated signals.

Note Not all of the I/O available in the instrument is brought out on the supplied terminal board. If more I/O is desired, an alternative means of connection is required. See optional “[Terminal Block and Cable Kits](#)”. ▲

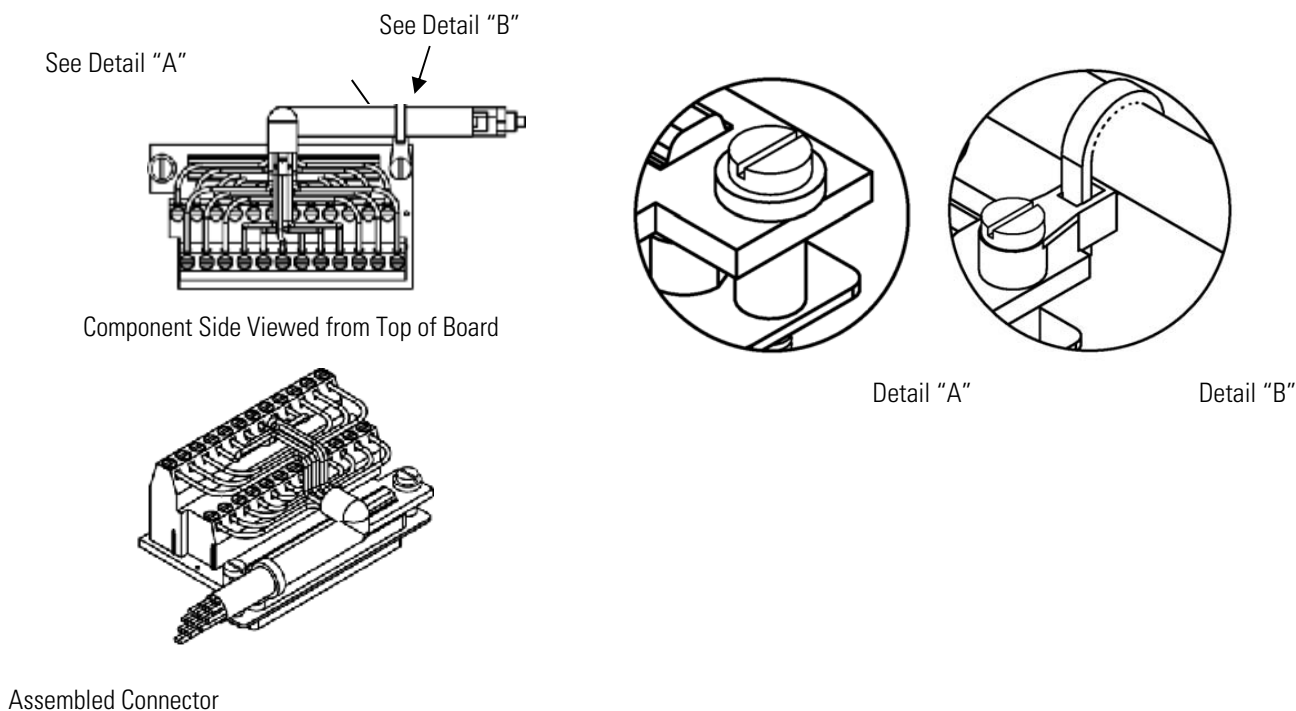


Figure 2–8. I/O Terminal Board Views

Table 2–2. I/O Terminal Board Pin Descriptions

Screw	Signal Description	Screw	Signal Description
1	Analog1	13	Power_Fail_NC
2	Analog ground	14	Power_Fail_COM
3	Analog2	15	Power_Fail_NO
4	Analog ground	16	TTL_Input1
5	Analog3	17	TTL_Input2
6	Analog ground	18	TTL_Input3
7	Analog4	19	TTL_Input4
8	Analog ground	20	Digital ground
9	Analog5	21	TTL_Input5
10	Analog ground	22	TTL_Input6
11	Analog6	23	TTL_Input7
12	Analog ground	24	Digital ground

Installation

Connecting External Devices

The analog outputs are arranged on the rear panel connector as shown in [Figure 2–9](#). See [Table 2–3](#) for channels and pin connections.

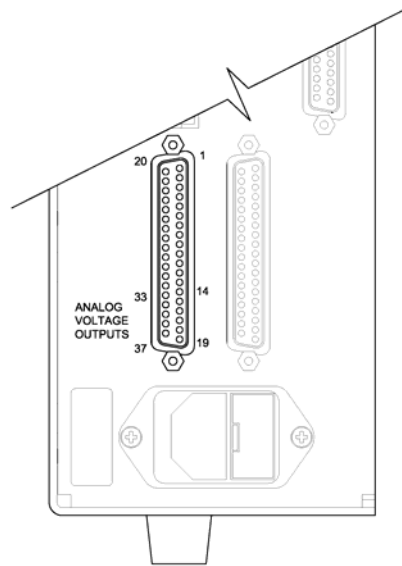


Figure 2–9. Pin-Out of Rear Panel Connector

Table 2–3. Default Analog Outputs

Channel	Connector Pin	I/O Terminal Pin	Description
1	14	1	PM
2	33	3	AVG PM
3	15	5	Flow
4	34	7	Ambient Temperature
5	17	9	Flow Temperature
6	36	11	Ambient Relative Humidity
Ground	16, 18, 19, 35, 37	2, 4, 6, 8, 10, 12	Signal Ground

Note All channels are user definable. If any customization has been made to the analog output configuration, the default selections may not apply. ▲

D/O Terminal Board

[Figure 2–10](#) shows the recommended method for attaching the cable (customer supplied) to the terminal board using the included tie-down and spacer. [Table 2–4](#) identifies the connector pins and associated signals.

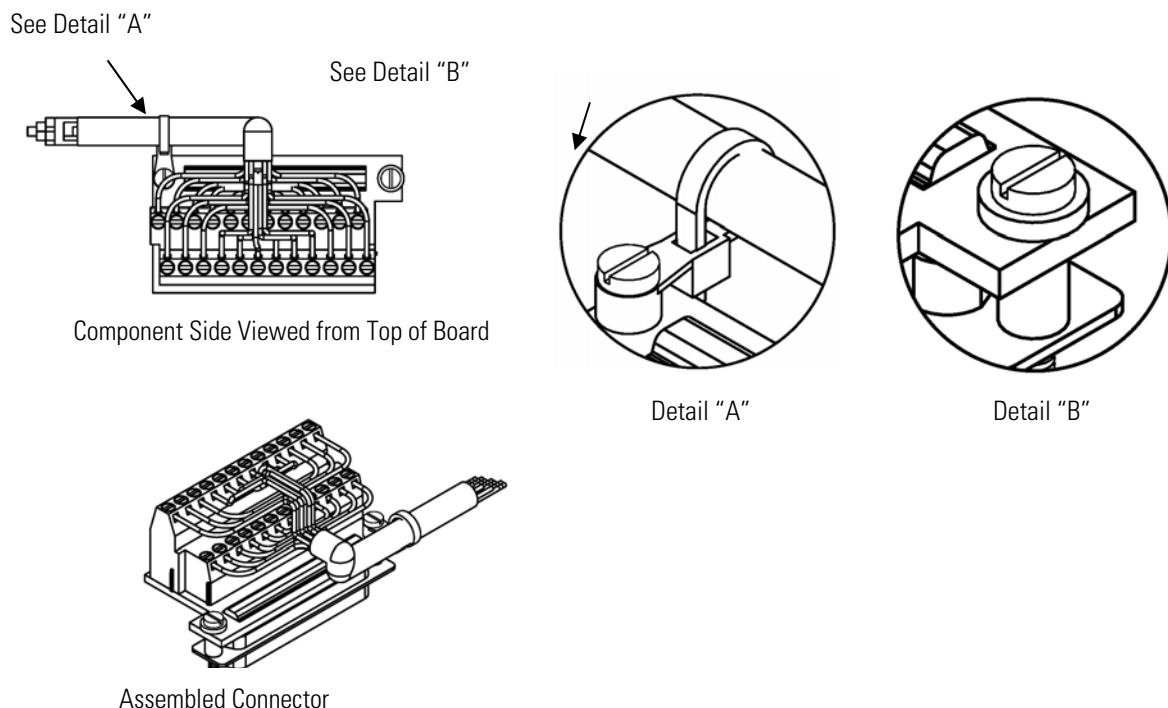


Figure 2–10. D/O Terminal Board Views

Table 2–4. D/O Terminal Board Pin Descriptions

Screw	Signal Description	Screw	Signal Description
1	Relay1_ContactA	13	Relay7_ContactA
2	Relay1_ContactB	14	Relay7_ContactB
3	Relay2_ContactA	15	Relay8_ContactA
4	Relay2_ContactB	16	Relay8_ContactB
5	Relay3_ContactA	17	Relay9_ContactA
6	Relay3_ContactB	18	Relay9_ContactB
7	Relay4_ContactA	19	Relay10_ContactA
8	Relay4_ContactB	20	Relay10_ContactB
9	Relay5_ContactA	21	(not used)
10	Relay5_ContactB	22	+24V
11	Relay6_ContactA	23	(not used)
12	Relay6_ContactB	24	+24V

25-Pin Terminal Board

The 25-pin terminal board is included with the optional I/O Expansion Board. [Figure 2–11](#) shows the recommended method for attaching the cable (customer supplied) to the terminal board using the included tie-

Installation

Connecting External Devices

down and spacer. [Table 2-5](#) identifies the connector pins and associated signals.

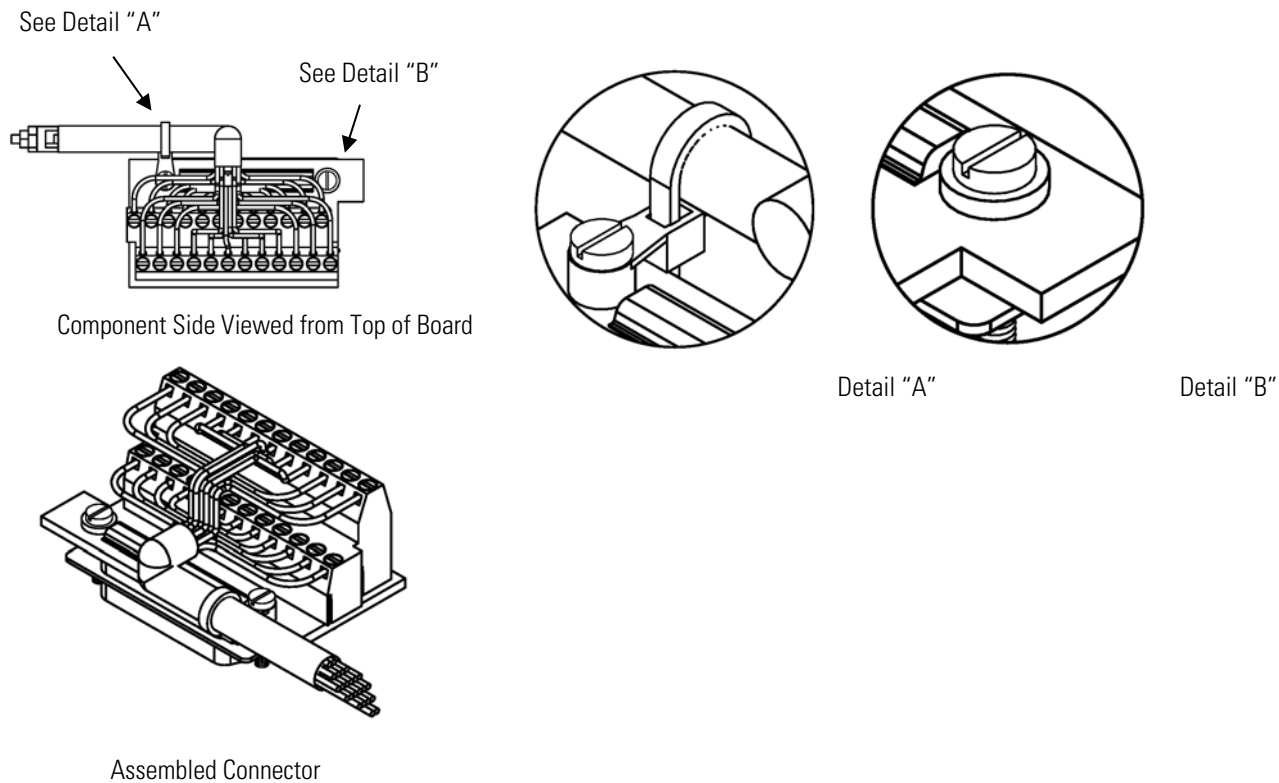


Figure 2-11. 25-Pin Terminal Board Views

Table 2-5. 25-Pin Terminal Board Pin Descriptions

Screw	Signal Description	Screw	Signal Description
1	IOut1	13	Analog_In1
2	Isolated ground	14	Analog_In2
3	IOut2	15	Analog_In3
4	Isolated ground	16	Ground
5	IOut3	17	Analog_In4
6	Isolated ground	18	Analog_In5
7	IOut4	19	Analog_In6
8	Isolated ground	20	Ground
9	IOut5	21	Analog_In7
10	Isolated ground	22	Analog_In8
11	IOut6	23	Ground
12	Isolated ground	24	Ground

Power Connections

Before the power is connected, be sure that the front panel power switch is OFF and be sure to verify that the local power matches the label on the back of the analyzer.



WARNING The Model 5014*i* is supplied with a three-wire grounded power cord. Under no circumstances should this grounding system be defeated. ▲

Startup

Use the following procedure when starting the instrument.

1. Turn the power ON and allow 12 hours for the beta detector to stabilize.
2. Although the instrument has been calibrated at the factory, if the instrument has been equilibrated, temperature sensors may be checked. (Assure that the heater is off and that the instrument is sampling room air at a constant temperature for at least 1-2 hours with the cover removed.)
3. After a 12-hour stabilization, the following steps should be performed:
 - a. From the Main Menu, choose **Instrument Controls**. Under Instrument Controls:
 - i. Flow should be set to 16.67 LPM
 - ii. Heater Control should be set to RH with a RH threshold of 30-60%. The TH-threshold setting should be properly set with consideration of the local meteorological conditions and particulate matter composition. This setting should be compatible with local regulatory agency considerations and should be set based on comparison with gravimetric sampling method results at the same location as the instruments being operated. Always refer to local regulations and approvals prior to setting this value.
 - iii. Filter Tape mass limit should be set to 1,500 µg
 - iv. Filter Tape–Next Time; this should have a start date
 - v. Filter Tape Period should be set to 8 hours for PM_{2,5} and PM₁₀. U.S. EPA applications may adjust this value as high as 24 hours for PM₁₀ only. However, 8 hours is recommended for consistent performance.
 - vi. Volumetric Conditions should be set to ACT for both Temp and Press
 - vii. Lrecs and Srecs should be chosen for datalogging and all parameters should be selected in the order they appear from “Concentrations” to “Other Measurements”. Default Lrecs are

set to 60 minute logging with 30% memory and SreCs are 5-minute logging with 70% memory allocated. If there are any changes, be sure to Commit Content.

- b. From the Main Menu, choose Service. Under Service:

Note If Service Mode is not displayed, refer to “[Accessing the Service Mode](#)” on page 7-4, then return to the beginning of this step. ▲

- i. Check/Calibrate Ambient Temperature, Sample Temperature, and Flow Temperature
- ii. Check/Calibrate Ambient RH
- iii. Check Calibrate Barometric Pressure Span
- iv. Check/Calibrate Flow Calibration
- v. Perform a Auto Detector Calibration (30 minutes)
- vi. Perform a Mass Foil Calibration (factory calibrated)
- vii. Mass Coefficients are set at the factory.

Data Content

Please use *i*Port to access data download from the instrument.

Shutdown

Use the following procedure when shutting down the instrument.

1. Turn the power OFF.
2. Cover instrument ports when not in use.

Important Tips

DO NOT

- Do not pressurize the monitor.
- Do not allow liquids to enter the sample port.
- Do not expose the instrument to excessive vibration or magnetic interference.
- Do not remove/adjust the beta attenuation bench of the 5014*i*.
- Do not remove the C-14 radioactive source at any time.

DO

- Operate the instrument in a climate-controlled environment (4–50 °C).
- Set DHCP to ON when changing the IP address.



Chapter 3

Operation

This chapter describes the front panel display screens, front panel pushbuttons, and menu-driven firmware. For details, see the following topics:

- “Display” on page 3-1
- “Pushbuttons” on page 3-2
- “Firmware Overview” on page 3-4
- “Range Menu” on page 3-9
- “24-Hour Average” on page 3-13
- “Calibration Factors Menu” on page 3-13
- “Instrument Controls Menu” on page 3-15
- “Diagnostics Menu” on page 3-52
- “Alarms Menu” on page 3-60
- “Service Menu” on page 3-72
- “Password Menu” on page 3-89

Display

The 320 x 240 pixels graphics liquid-crystal display (LCD) shows the sample concentrations, instrument parameters, instrument controls, help, and error messages. Some menus contain more items than can be displayed at one time. For these menus, use  and  to move the cursor up and down to each item.

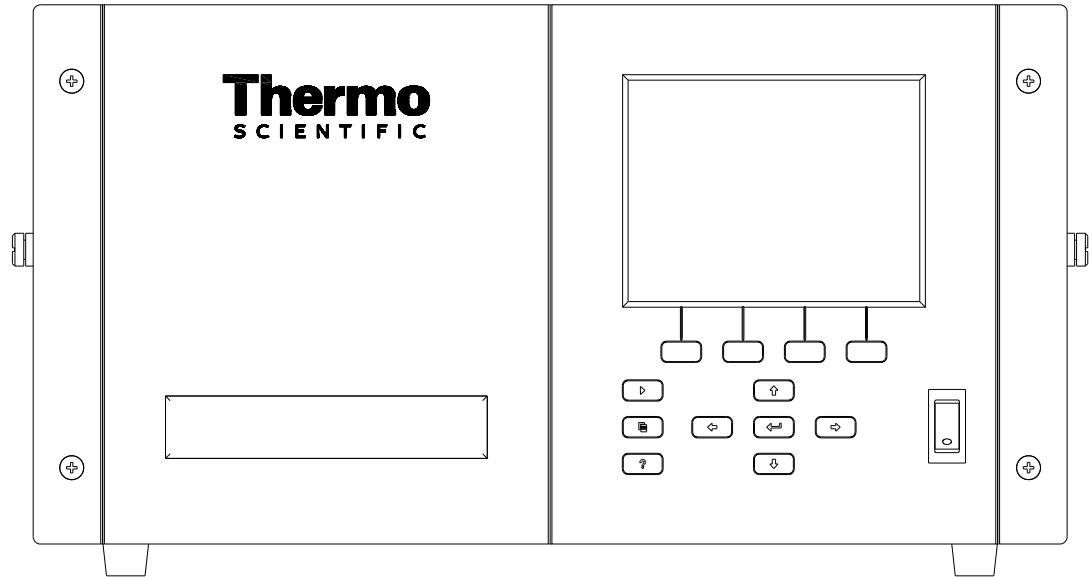


Figure 3–1. Front Panel Display



CAUTION If the LCD panel breaks, do not let the liquid crystal contact your skin or clothes. If the liquid crystal contacts your skin or clothes, wash it off immediately using soap and water. ▲

Pushbuttons

The Pushbuttons allow the user to traverse the various screens/menus.

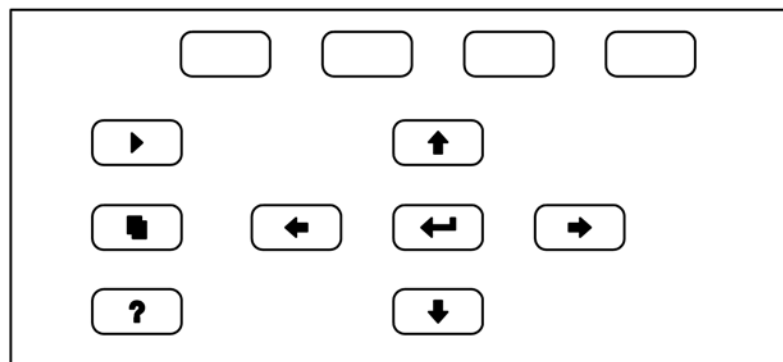





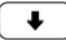


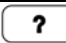
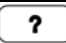
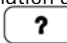
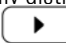








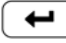
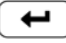


Figure 3–2. Front Panel Pushbuttons

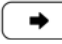
Table 3–1 lists the front panel pushbuttons and their functions.

Table 3–1. Front Panel Pushbuttons

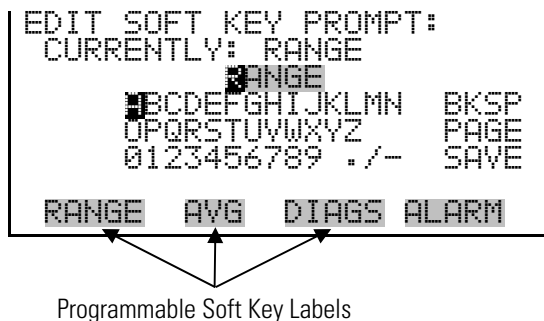
Key Name	Function
 = Soft Keys	The  (soft keys) are used to provide shortcuts that allow the user to jump to user-selectable menu screens. For more information on processing soft keys, see “Soft Keys” below.
 = Run	The  is used to display the Run screen. The Run screen normally displays the current PM concentrations, but also has additional Run screens for ambient conditions, sample conditions, and mass sensor data. Press  and  to scroll through the different Run screens.
 = Menu	The  is used to display the Main Menu when in the Run screen, or back up one level in the menu system. For more information about the Main Menu, see “Main Menu” later in this chapter.
 = Help	The  is context-sensitive, that is, it provides additional information about the screen that is being displayed. Press  for a brief explanation about the current screen or menu. Help messages are displayed using lower case letters to easily distinguish them from the operating screens. Press  to return to the Run screen, or any other key to exit a help screen.
  = Up, Down   = Left, Right	The four arrow pushbuttons ( ,  ,  , and ) move the cursor up, down, left, and right or change values and states in specific screens.
 = Enter	The  is used to select a menu item, accept/set/save a change, and/or toggle on/off functions.

Soft Keys

The soft keys are multi-functional keys that use part of the display to identify their function. The function of the soft keys is to provide a shortcut to the most often used menus and screens. They are located directly underneath the display, and user-defined labels in the lower part of the display indicate the function of each key at that time.

To change a soft key, place the menu cursor “>” on the item of the selected menu or screen you wish to set. Press  followed by the selected soft key within 1 second of pressing the right-arrow key. The “edit soft key prompt” will be displayed for configuration of the new label.

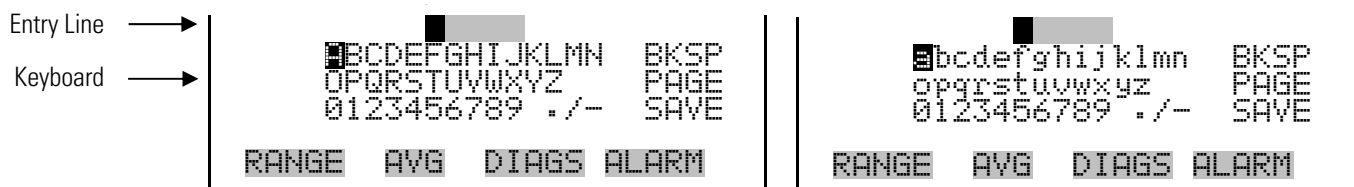
Note Not all menu items may be assigned to soft keys. If a particular menu or screen item cannot be assigned, the key assignment screen will not come up upon entering right-arrow-soft key combinations. All items under the Service menu (including the menu itself) cannot be assigned soft keys. ▲



Alphanumeric Entry Screen

The alphanumeric entry screen is used to enter strings consisting of letters, numbers, and other characters. The cursor may be positioned within the entry line using the and keys. If a character is entered over an existing character, that character will be overwritten. Use the and keys to switch between the entry line and the keyboard as well as to move within the keyboard. To select a character to add to the string, use the cursor keys to position the cursor over the desired character, and then press the key to add that character to the entry line.

On the right side of the keyboard are special functions. BKSP is used to move the cursor in the entry line one place to the left, deleting the character that was to the left of the cursor and moving any character at or to the right of the cursor one place to the left. PAGE is used to change the keyboard character page. For the English language, this switches between upper and lower-case alphabetic characters. SAVE stores the string from the entry line into the parameter. Alternately, if the active cursor is moved to the entry line, may be pressed to store the string from the entry line into the parameter.



Firmware Overview

The Model 5014*i* utilizes the menu-driven firmware as illustrated by the flowchart in [Figure 3-3](#). The Power-Up screen, shown at the top of the flowchart, is displayed each time the instrument is turned on. This screen is displayed while the instrument is warming up and performing self-checks. After the warm-up period, the Run screen is automatically displayed. The Run screen normally displays the current PM concentrations, but also has additional Run screens for ambient conditions, sample conditions, and mass sensor data. From the Run screen, the Main Menu can be displayed by pressing . The Main Menu contains a list of submenus. Each

submenu contains related instrument settings. This chapter describes each submenu and screen in detail. Refer to the appropriate sections for more information.

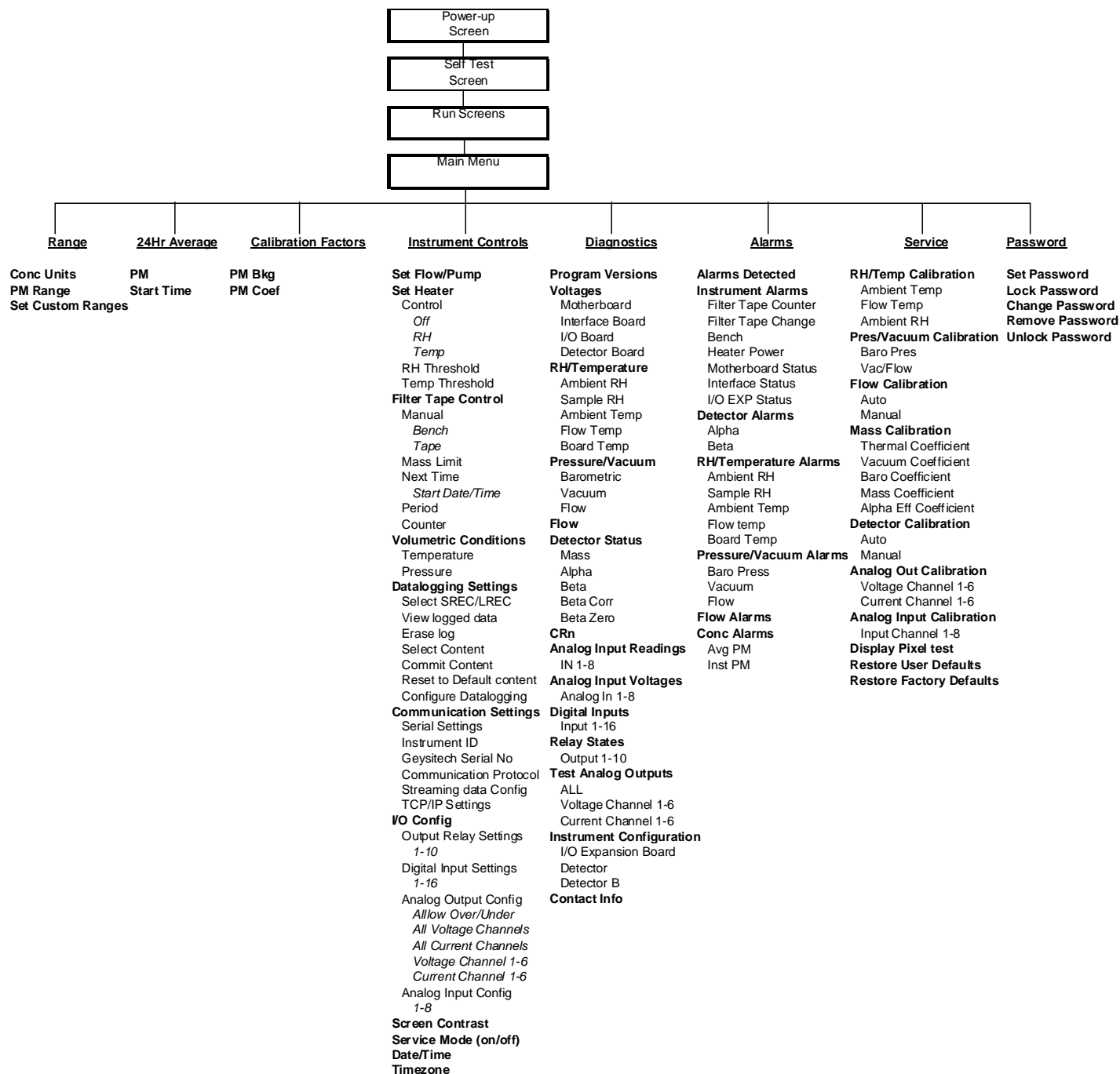


Figure 3–3. Flowchart of Menu-Driven Firmware

Power-Up Screen

The Power-Up screen is displayed when power is applied to the Model 5014*i*. This screen is displayed while the internal components are warming up and diagnostic checks are being performed.



Run Screens

The Run screens display the PM concentration, ambient conditions, sample conditions, and mass sensor data. The status bar displays the time (24-hour format), the password (lock) icon, service (wrench) icon, alarm (bell) icon, and optional zero/span sample solenoid valve status, if installed.


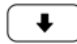
Status Bar Icons

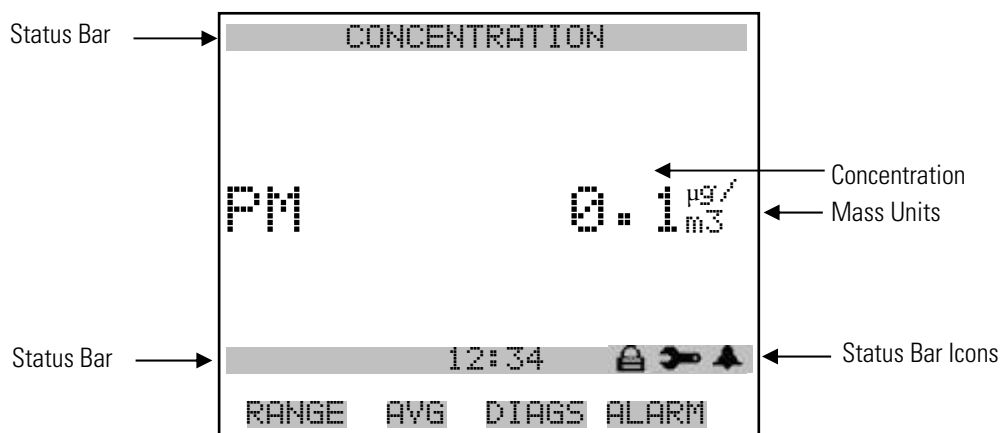
The password (lock) icon indicates that no parameter changes can be made from the front panel.



The alarm (bell) icon indicates that an alarm is active.

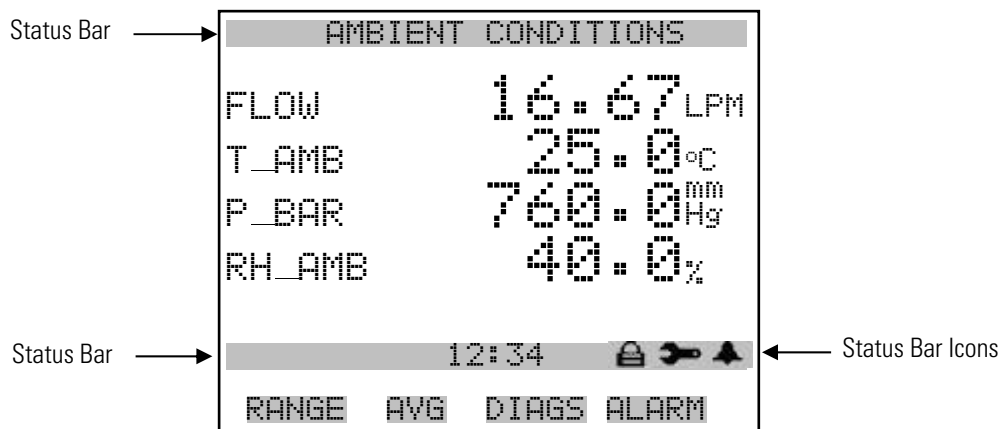
The service (wrench) icon indicates that the instrument is in the service mode.

The Run screen normally displays the current particulate matter (PM) concentrations, but also has additional Run screens for ambient conditions, sample conditions, and mass sensor data. Pressing  and  will scroll through the different Run screens.



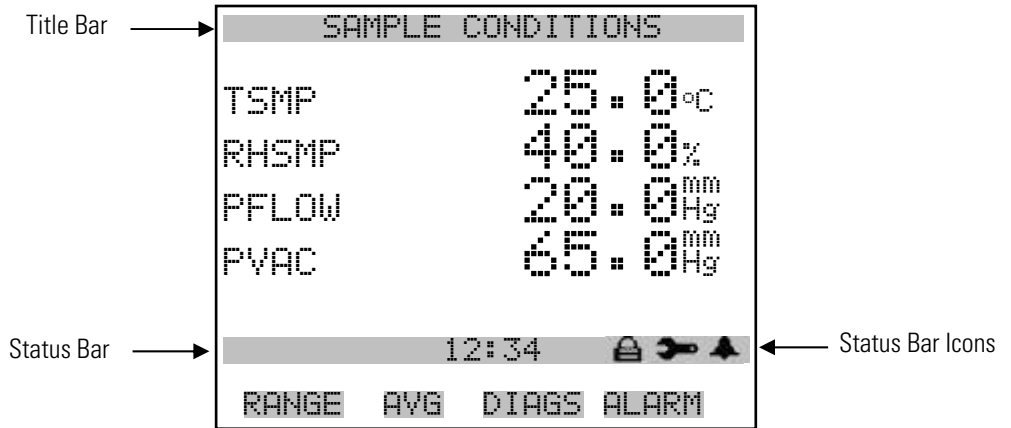
Ambient Conditions Run Screen

The Ambient Conditions Run screen displays the real-time volumetric flow rate at the inlet, the ambient temperature, the barometric pressure, and the ambient relative humidity.



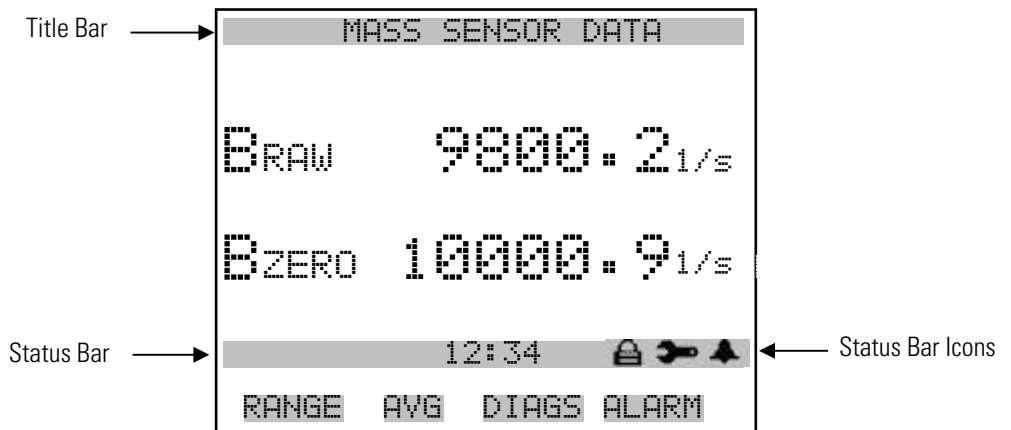
Sample Conditions Run Screen

The Ambient Conditions Run screen displays the sample filter temperature, the sample filter relative humidity, the differential pressure across the orifice, and the vacuum under the filter tape.





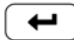


Mass Sensor Data Run Screen

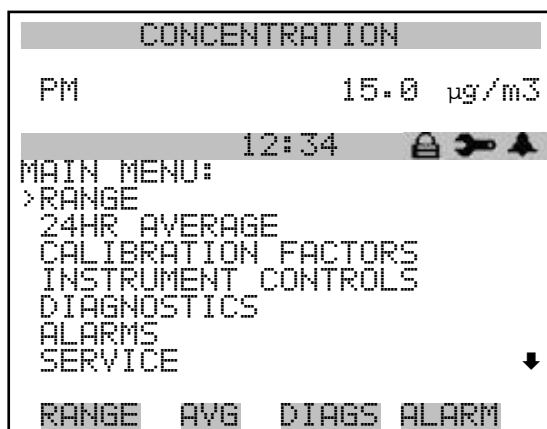
The Mass Sensor Data Run screen displays the real-time beta counts during attenuation and the initial beta counts from a fresh filter spot.



Main Menu

The Main Menu contains a number of submenus. Instrument parameters and settings can be read and modified within the submenus according to their function. The concentration appears above the Main Menu and submenus in every screen. The Service menu is visible only when the instrument is in service mode. For more information on the service mode, see “[Service Mode](#)” later in this chapter.

- Use  and  to move the cursor up and down.
- Press  to make a selection.
- Press  to return to the Main Menu or  to return to the Run screen.



PASSWORD

Range Menu

The Range menu allows the operator to select the concentration units, PM standard ranges, and to set the custom ranges.

- In the Main Menu, choose **Range**



Concentration Units

The Concentration Units screen defines how the particles concentration readings are expressed. Concentration units of micrograms per cubic meter ($\mu\text{g}/\text{m}^3$) and milligrams per cubic meter (mg/m^3) are available.

When switching the selected units, the instrument's analog ranges all default to the highest range. For example, when switching from mg/m^3 to $\mu\text{g}/\text{m}^3$, the ranges default to $10000 \mu\text{g}/\text{m}^3$. Therefore, whenever you change units, you should also check the range settings.

Note If the units change, the instrument should be re-calibrated. A display warning will appear. ▲

- In the Main Menu, choose Range > **Conc Units**.

```
CONC UNITS:
CURRENTLY:      mg/m3
SET TO:         µg/m3 ?

↑↓ CHANGE VALUE  ← SAVE

RANGE  AVG  DIAGS  ALARM
```

Range

The Range screen defines the concentration range of the analog outputs. For example, a PM range of 0–100 $\mu\text{g}/\text{m}^3$ sets the analog output to concentrations between 0 and 100 $\mu\text{g}/\text{m}^3$ by default.

The display shows the current PM range. The next line of the display is used to change the range.

Table 3–2 lists the standard ranges.

- In the Main Menu, choose Range > **Range**.

```
PM RANGE:
CURRENTLY:      100.0
SET TO:         1000 ?

      ↑↓ CHANGE VALUE
      ← SAVE VALUE

RANGE  AVG  DIAGS  ALARM
```

Table 3–2. Standard Ranges

mg/m ³	µg/m ³
0.1	100
1.0	1000
2.0	2000
3.0	3000
5.0	5000
10.00	10000
C1	C1
C2	C2
C3	C3

C1, C2, and C3 are custom ranges. For more information about custom ranges, see “Set Custom Ranges” below.

The analog outputs are arranged on the rear panel connector as shown in [Figure 3–4](#). See [Table 3–3](#) for channels and pin connections.

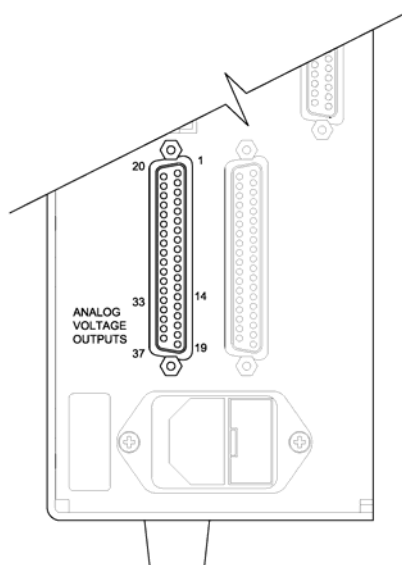


Figure 3–4. Pin-Out of Rear Panel Connector

Table 3–3. Default Analog Outputs

Channel	Connector Pin	I/O Terminal Pin	Description
1	14	1	PM
2	33	3	AVG PM
3	15	5	Flow
4	34	7	Ambient Temperature
5	17	9	Flow Temperature
6	36	11	Ambient Relative Humidity
Ground	16, 18, 19, 35, 37	2, 4, 6, 8, 10, 12	Signal Ground

Note All channels are user definable. If any customization has been made to the analog output configuration, the default selections may not apply. ▲

Set Custom Ranges

The Set Custom Ranges menu lists three custom ranges, which are user-defined. In the mg/m^3 mode, any value between $0.1 \text{ mg}/\text{m}^3$ and $10.00 \text{ mg}/\text{m}^3$ can be specified as a range. In the $\mu\text{g}/\text{m}^3$ mode, any value between $100 \mu\text{g}/\text{m}^3$ and $10000 \mu\text{g}/\text{m}^3$ can be specified as a range.

- In the Main Menu, choose Range > **Set Custom Ranges**.

```
CUSTOM RANGES:
>CUSTOM RANGE 1      555.6
CUSTOM RANGE 2      1875.0
CUSTOM RANGE 3      8125.0

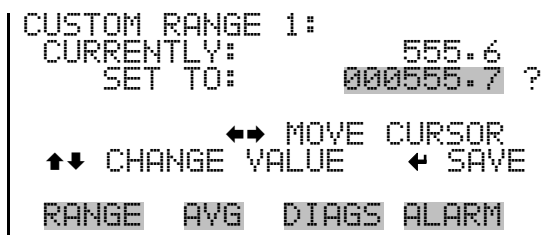
RANGE  AVG  DIAGS  ALARM
```

Custom Ranges

The Custom Ranges screen is used to define the custom ranges.

The display shows the current custom range. The next line of the display is used to set the range. For more information about selecting ranges, see “Range” above.

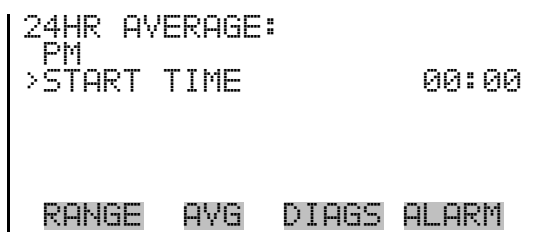
- In the Main Menu, choose Range > Set Custom Ranges > **Custom Range 1, 2, or 3**.



24-Hour Average

The 24-Hour Average screen defines a start time during which concentration measurement is averaged over a daily 24-hours period. The average concentration of the primary readings are calculated for that time period and averaged out. A new 24-hour average concentration is displayed once per day. The display shows the current 24-hour average PM concentration. The next line of the display is used to change the 24-hour averaging time.

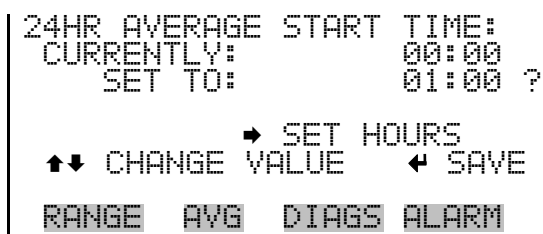
- In the Main Menu, choose **24HR Averages**.



24-Hour Average Start Time

The 24-Hour Average Start Time screen allows the user to adjust the 24-hour averaging start time.

- In the Main Menu, choose 24HR Averages > **Avg Time**.



Calibration Factors Menu

Calibration factors are determined during automatic and manual calibration and are used to correct the concentration readings. The Calibration Factors menu displays the calibration factors as shown below. The instrument can also be calibrated manually using this menu. For more information about calibration, see Chapter 4, “[Calibration](#)”.

The calibration factors for the PM BKG (offset) and PM COEF (slope) are set to 0.0 and 1.0 by default. Should regional settings require an adjustment to these values that DO NOT compromise regulatory approvals for this instrument, those values can be adjusted at this point.

- In the Main Menu, choose **Calibration Factors**.

```
CALIBRATION FACTORS:
>PM BKG           0.0
PM COEF          1.000

RANGE  AVG  DIAGS  ALARM
```

PM Background

The PM Background screen allows the user to manually adjust the PM Intercept. The PM concentration based on the SET BKG TO is displayed to facilitate the setting. The PM concentration displayed in the Run portion of the screen is NOT affected by the SET BKG until the value is saved.

- In the Main Menu, choose Calibration Factors > **PM Bkg**.

```
PM BACKGROUND:
CURRENTLY:       0.0
SET TO:         0.0 ?

      ←→ MOVE CURSOR
↑↓ CHANGE VALUE  ← SAVE

RANGE  AVG  DIAGS  ALARM
```

PM Coefficient

The PM Coefficient screen allows the user to manually adjust the PM coefficient. The PM concentration based on the SET COEF TO is displayed to facilitate setting. The PM concentration displayed in the Run portion of the screen is NOT affected by the SET COEF until the value is saved.

- In the Main Menu, choose Calibration Factors > **PM Coef**.


```

PM COEFFICIENT:
CURRENTLY:      1.000
SET TO:        1.00 ?

      ←→ MOVE CURSOR
↑↓ CHANGE VALUE  ← SAVE

RANGE  AVG  DIAGS  ALARM
  
```

Instrument Controls Menu

The Instrument Controls menu contains a number of items that may be selected to control various instrument operational parameters. The firmware controls listed in this menu enable control of the listed instrument functions.

- In the Main Menu, choose **Instrument Controls**.

```

INSTRUMENT CONTROLS:
>SET FLOW/PUMP
SET HEATER
FILTER TAPE CONTROL
VOLUMETRIC CONDITIONS
DATA LOGGING SETTINGS ↓

RANGE  AVG  DIAGS  ALARM
  
```

```

COMMUNICATION SETTINGS
I/O CONFIGURATION
SCREEN CONTRAST
SERVICE MODE
DATE/TIME
TIMEZONE
  
```

Set Flow/Pump

The Set Flow/Pump menu allows the user to manually adjust the flow values, and to change the operating state of the pump to ON or OFF.

- In the Main Menu, choose Instrument Controls > **Set Flow/Pump**.

```

FLOW/PUMP:
>FLOW      16.67
PUMP      ON

RANGE  AVG  DIAGS  ALARM
  
```

Flow The Flow screen is used to view and adjust the flow.

- In the Main Menu, choose Instrument Controls > Set Flow/Pump > **Flow**.

Operation

Instrument Controls Menu

```
FLOW:
CURRENTLY:      16.67 LPM
SET TO:         16.67 LPM?
                ↑↓ INC/DEC
                ← SAVE VALUE
RANGE  AVG  DIAGS  ALARM
```

Pump The Pump screen allows the user to toggle the pump to either ON or OFF.

- In the Main Menu, choose Instrument Controls > Set Flow/Pump > **Pump**.

```
PUMP:
CURRENTLY:      ON
SET TO:         OFF ?
                ← TOGGLE VALUE
RANGE  AVG  DIAGS  ALARM
```

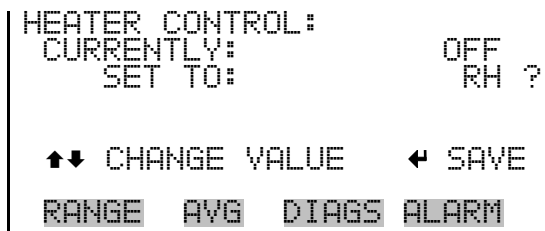
Set Heater The Set Heater menu allows the user to set the status of the heater, RH threshold, and temperature threshold in various modes.

- In the Main Menu, choose Instrument Controls > **Set Heater**.

```
HEATER:
>CONTROL
RH THRESHOLD   40 %
TEMP THRESHOLD 30 °C
RANGE  AVG  DIAGS  ALARM
```

Control The Control screen is used to set the status of the heater to either ON/OFF, RH threshold, or TEMP threshold.

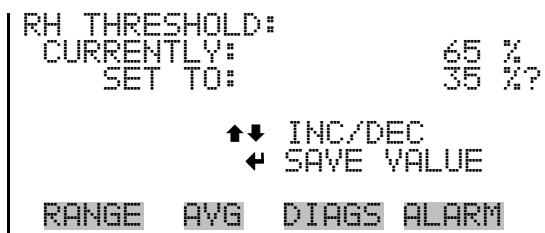
- In the Main Menu, choose Instrument Controls > Set Heater > **Control**.



RH Threshold

The RH Threshold screen is used to change the RH threshold value in percent. The RH threshold is typically compatible with the gravimetric method being used for comparison.

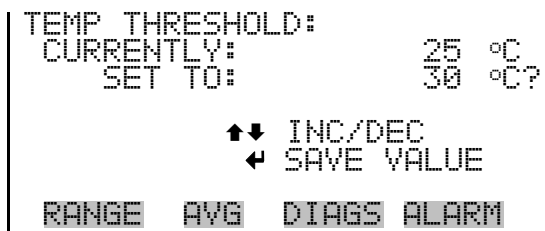
- In the Main Menu, choose Instrument Controls > Set Heater > **RH Threshold**.



Temperature Threshold

The Temperature Threshold screen is used to change the temperature threshold value.

- In the Main Menu, choose Instrument Controls > Set Heater > **Temp Threshold**.



Filter Tape Control

The Filter Tape Control menu allows the user to manually move or set the next time period for tape control.

- In the Main Menu, choose Instrument Controls > **Filter Tape Control**.

Operation

Instrument Controls Menu

```
FILTER TAPE CONTROL:
>MANUAL
MASS LIMIT          1,500 µg
NEXT TIME          05MAY08 00:00
PERIOD              8 HRS
COUNTER            0

RANGE  AVG  DIAGS  ALARM
```

Manual The Manual screen allows the user to move or stop the filter tape and open or close the measurement bench.

- In the Main Menu, choose Instrument Controls > Filter Tape Control > **Manual**.

```
MANUAL:
>BENCH(S)          CLOSED
TAPE                STOP

← TOGGLE VALUE

RANGE  AVG  DIAGS  ALARM
```

Mass Limit The Mass Limit screen allows the user to set the mass limit. The default is 1,500 µg (or 1.5 mg) and is specified as part of any U.S. EPA and TUV approvals. However, the limit can be increased as much as 5,000 µg for non-regulatory monitoring.

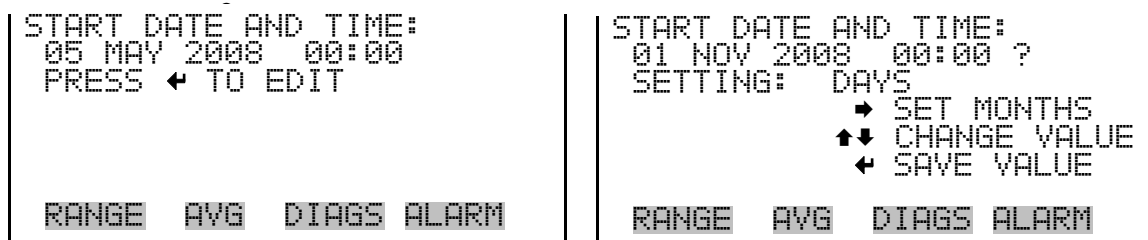
- In the Main Menu, choose Instrument Controls > Filter Tape Control > **Mass Limit**.

```
MASS LIMIT:
CURRENTLY:          1500
SET TO:             1500 ?

←↑ CHANGE VALUE   ←← MOVE CURSOR   ← SAVE
RANGE  AVG  DIAGS  ALARM
```

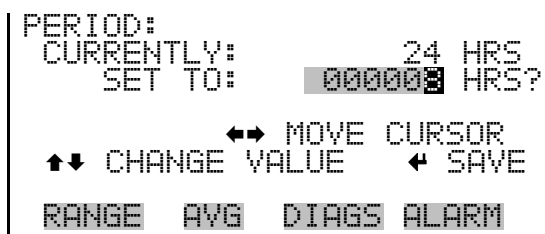
Next Time The Next Time screen is used to view and set the initial date and time (24-hour format) for the next filter tape change.

- In the Main Menu, choose Instrument Controls > Filter Tape Control > **Next Time**.



Period The Period screen allows the user to set the period. The next filter tape change would be scheduled after the number of hours the period is set for. The official tape change for TUV and U.S. EPA for PM_{2.5} and PM₁₀ is set for 8 hours.

- In the Main Menu, choose Instrument Controls > Filter Tape Control > **Period**.



Counter The Counter screen allows the user to record the current filter tape count and reset the tape count to zero.

- In the Main Menu, choose Instrument Controls > Filter Tape Control > **Counter**.



Volumetric Conditions

The Volumetric Conditions menu allows the user to turn temperature/pressure compensation on and off and to set the standard pressure and temperature values in various modes.

Operation

Instrument Controls Menu


- In the Main Menu, choose Instrument Controls > **Volumetric Conditions**.

```
VOLUMETRIC CONDITIONS:
>TEMPERATURE          ACT
PRESSURE              STD

RANGE  AVG  DIAGS  ALARM
```

Temperature Compensation

The Temperature screen is used to turn the temperature correction to actual or standard.

- Press  to toggle and set the temperature compensation to actual or standard.

```
TEMPERATURE:
>COMPENSATION          ACT
STANDARD              25 °C

RANGE  AVG  DIAGS  ALARM
```

Standard Temperature

The Standard Temperature screen is used to set the standard temperature.

- In the Main Menu, choose Instrument Controls > Volumetric Conditions > Temperature > **Standard**.

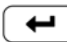
```
STANDARD TEMPERATURE:
CURRENTLY:             25 °C
SET TO:                0.0 °C ?

  ↑↓ INC/DEC
  ← SAVE VALUE

RANGE  AVG  DIAGS  ALARM
```

Pressure Compensation

The Pressure Compensation screen is used to turn the pressure correction to actual or standard.

- Press  to toggle and set the pressure compensation to actual or standard.

```

PRESSURE:
>COMPENSATION  760 mmHg
STANDARD      760 mmHg

RANGE  AVG  DIAGS  ALARM
  
```

Standard Pressure The Standard Pressure screen is used to set the standard pressure.

- In the Main Menu, choose Instrument Controls > Volumetric Conditions > Pressure > **Standard**.

```

STANDARD PRESSURE:
CURRENTLY:          ACT
SET TO:            760 mmHg ?

  ↑↓ INC/DEC
  ← SAVE VALUE

RANGE  AVG  DIAGS  ALARM
  
```

Datalogging Settings

The *i*Series instruments include a built-in datalogging capability as a standard feature. The operator is allowed to create two different types of records, which for historical reasons, are named lrecs and srecs. Each record can contain up to 32 different fields, or data items, and records can be created at user-defined intervals ranging from 1 to 60 minutes.

Record generation is tied to the instrument's real-time clock. For example, if the logging period for srecs is set to 30 minutes, a new srec will be generated on every hour and every half hour (10:00, 10:30, 11:00 ...). Lrecs and srecs function independent of each other. So, for example, an srec containing just the current PM level could be generated every 5 minutes while an lrec containing a full set of diagnostic data could be generated once every hour.

The analyzer's computer system includes three megabytes of flash memory which is enough to store a full lrec containing 32 data items and a full srec containing 32 items once each minute for a week (>20,000 total records). If logging is limited to the minimum content of date, time, PM concentration and error flags, the analyzer can store data once each minute for 4 months (>190,000 total records).

The Datalogging Settings menu allows the user flexibility in how data is stored and recorded.

Operation

Instrument Controls Menu

- In the Main Menu, choose Instrument Controls > **Datalogging Settings**.

```
DATALOGGING:
>SELECT SREC/LREC      SREC
VIEW LOGGED DATA
ERASE LOG
SELECT CONTENT
COMMIT CONTENT        ↓
RANGE  AVG  DIAGS  ALARM

RESET TO DEFAULT CONTENT
CONFIGURE DATALOGGING
```

Select Srec/Lrec

The Select Srec/Lrec screen is used to select the log record type for other operations in this menu.

- In the Main Menu, choose Instrument Controls > Datalogging Settings > **Select Srec/Lrec**.

```
SELECT LOG TYPE:
CURRENTLY:      SREC
SET TO:         LREC ?
                ← TOGGLE VALUE
RANGE  AVG  DIAGS  ALARM
```

View Logged Data

The View Logged Data screen is used to select the starting point to view the logged data by the number of records or by date and time. Note that both types of records cannot be viewed at the same time, only the selected record type.

- In the Main Menu, choose Instrument Controls > Datalogging Settings > **View Logged Data**.

```
SELECT START POINT BY:
SET TO: # OF RECS
        ↑↓ CHANGE    ← ACCEPT
RANGE  AVG  DIAGS  ALARM
```


Number of Records The Number of Records screen is used to select the number of records to view, ending with the most recent. It also shows the total number of records that have been logged for the selected record type.

```

SET # BACK FROM CURRENT:
TOTAL LRECS: 000000
                20
                ↔ MOVE CURSOR
↑↓ CHANGE VALUE ← SAVE
RANGE  AVG  DIAGS ALARM
    
```

The Record Display screen (read only) displays the selected records.

```

time    date    flags
10:01  01/20/07  8105151
10:02  01/20/07  8105151
10:03  01/20/07  8105151
10:04  01/20/07  8105151
↑↓ PGUP/DN ↔ PAN L/R
RANGE  AVG  DIAGS ALARM
    
```

Date and Time The Date and Time screen is used to set a start date and time for which to view logged data. For example, if “20 Jan 2007 10:00” is entered, then the first logged data record that is displayed is the first record after this time. If set to one minute logging, this would be at “20 Jan 2007 10:01”.

```

DATE AND TIME:
20 JAN 2007 10:00
↑↓ CHG  DAYS
→ SET CURSOR TO MONTHS
← ACCEPT AS SHOWN
RANGE  AVG  DIAGS ALARM
    
```

The Record Display screen (read only) displays the selected records.

Operation

Instrument Controls Menu

```
time    date    flags
10:01  01/20/07  8105151
10:02  01/20/07  8105151
10:03  01/20/07  8105151
10:04  01/20/07  8105151
  ↑↓ PGUP/DN  ←→ PAN L/R
RANGE  AVG  DIAGS  ALARM
```

Erase Log The Erase Log screen is used to erase all saved data for the selected record type only (not both srecs and lrecs).

- In the Main Menu, choose Instrument Controls > Datalogging Settings > **Erase Log**.

```
ERASE LREC LOG FILE DATA?
                ← ERASE
RANGE  AVG  DIAGS  ALARM
```

```
ERASE LREC LOG FILE DATA?
                ← ERASE
ARE YOU SURE YOU WANT TO?
PRESS → TO CONFIRM ERASURE
RANGE  AVG  DIAGS  ALARM
```

Select Content The Select Content submenu displays a list of 32 record fields to use to configure the data to be logged. When a field is selected, a submenu list appears of the items to choose from to assign to those fields. Item types are Concentrations, Other Measurements, and Analog Inputs (if the I/O expansion board is installed). These record fields comprise a temporary list of items for the selected record type that must be committed via the datalogging menu before the changes will apply. Note that committing any changes to this list will erase all currently logged data for the selected record type only, as the format of the stored data is changed.

- In the Main Menu, choose Instrument Controls > Datalogging Settings > **Select Content**.

```
LREC FIELDS:
>FIELD 1          PM
FIELD 2          AVG PM
FIELD 3          FLOW VOL
FIELD 4          AMB RH
FIELD 5          BARO PRESS ↓
RANGE  AVG  DIAGS  ALARM
```


Choose Field Data The Choose Field Data submenu displays a list of the types of data that can be logged for the current field. Choices are Concentrations, Other Measurements, and Analog Inputs (if the I/O expansion board is installed).

- In the Main Menu, choose Instrument Controls > Datalogging Settings > Select Content > **Field 1–32**.

```

DATA IN SREC FIELD  1:
>CONCENTRATIONS
OTHER MEASUREMENTS
ANALOG INPUTS

RANGE  AVG  DIAGS  ALARM
  
```

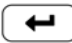
Concentrations The Concentrations screen allows the user to assign one of the concentrations to the selected record field. The currently selected item is shown by “<--” after it. Note that at this point, pressing  indicates that these are proposed changes as opposed to implemented changes. To change the selected record format and erase record log file data, see “Commit Content” below. The display shows the current heater for the mode selected (PM).

- In the Main Menu, choose Instrument Controls > Datalogging Settings > Select Content > select Field > **Concentrations**.

```

CONCENTRATIONS:
>NONE
PM
AVG PM
<--

RANGE  AVG  DIAGS  ALARM
  
```

Other Measurements The Other Measurements screen allows the user to assign one of the other available measurement types to the selected record field. The currently selected item is shown by “<--” after it. Items displayed are determined by the options installed. For Common Flags and Detector A Flags, see [Figure 3–5](#) and [Figure 3–6](#) for data descriptions. Note that at this point, pressing  indicates that these are proposed changes as opposed to implemented changes. To change the selected record format and erase record log file data, see “Commit Content” below.

- In the Main Menu, choose Instrument Controls > Datalogging Settings > Select Content > select Field > **Other Measurements.**

```

OTHER MEASUREMENTS:
>NONE
BARO PRES
VACUUM
FLOW PRES
AMB RH

```

↓

```

RANGE  AVG  DIAGS  ALARM

```

```

SAMP RH
AMB TEMP
BRD TEMP
FLOW TEMP
FLOW VOL
BETA
BETA RAW
ALPHA RAW
MASS
BETA ZERO
EXT ALARMS
BETA REF
COMMON FLAGS
DET A FLAGS
MASSCMP

```

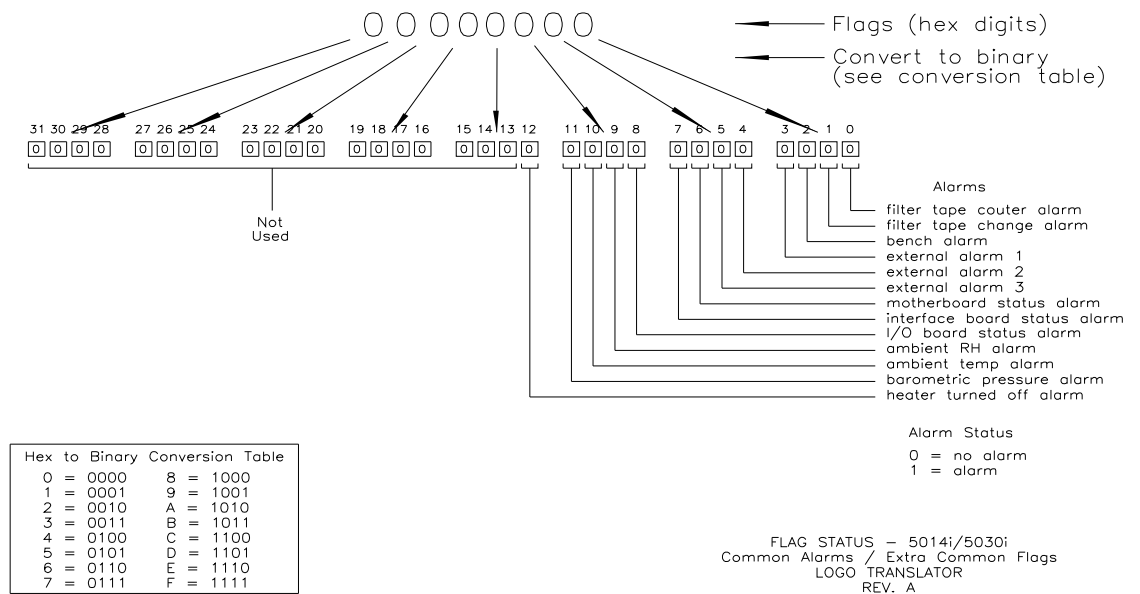


Figure 3-5. Common Flags

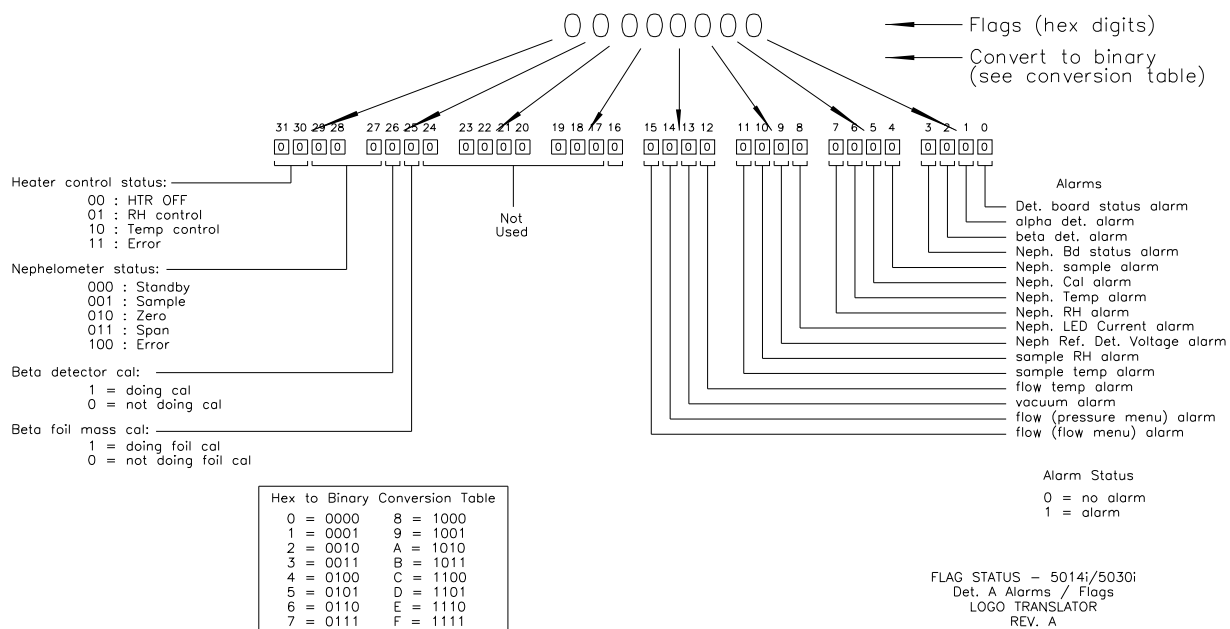


Figure 3–6. Detector A Flags

Analog Inputs

The Analog Inputs screen allows the user to select the parameter (none or analog inputs 1–8) to the selected record field. The selected item is shown by “<--” after it. Note that at this point, pressing indicates that these are proposed changes as opposed to implemented changes. To change the selected record format and erase record log file data, see “Commit Content” below.

- In the Main Menu, choose Instrument Controls > Datalogging Settings > Select Content > select Field > **Analog Inputs**.

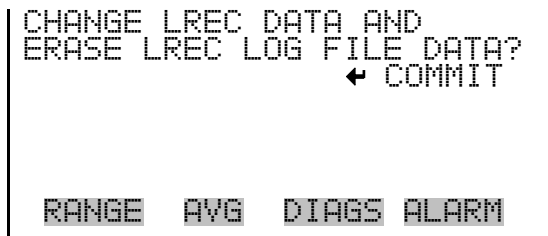
```

ANALOG INPUTS:
>NONE
ANALOG IN 1
ANALOG IN 2
ANALOG IN 3
ANALOG IN 4
↓
RANGE  AVG  DIAGS  ALARM
    
```

Commit Content

The Commit Content screen is used to save any changes that have been made to any of the record fields for the selected record type. Saving changes will erase record log file data for that record type. If no changes have been made “NO CHANGES TO RECORD LIST!” will appear. For more information about selecting the content of logged data fields, see “[Select Content](#)” above.

- In the Main Menu, choose Instrument Controls > Datalogging Settings > **Commit Content**.



Reset to Default Content

The Reset to Default Content screen is used to reset all of the datalogging record field items to default values for the selected record type. For more information about selecting the content of logged data fields, see “[Select Content](#)” above.

- In the Main Menu, choose Instrument Controls > Datalogging Settings > **Reset to Default Content**.



Configure Datalogging

The Configure Datalogging menu deals with datalogging configuration for the currently selected record type.

- In the Main Menu, choose Instrument Controls > Datalogging Settings > **Configure Datalogging**.

```

DATALOGGING SETTINGS:
>LOGGING PERIOD MIN      60
MEMORY ALLOCATION %      50
DATA TREATMENT          AVG
FLAG STATUS DATA       ON

RANGE  AVG  DIAGS  ALARM
  
```

Logging Period Min The Logging Period Min screen is used to select the logging period in minutes for the selected record format (srec or lrec). List of choices include: off, 1, 5, 15, 30, and 60 minutes (default).

- In the Main Menu, choose Instrument Controls > Datalogging Settings > Configure Datalogging > **Logging Period Min**.

```

SET PERIOD FOR SREC:
CURRENTLY:           5 MIN
SET TO:              OFF ?

↑↓ CHANGE VALUE    ← SAVE

RANGE  AVG  DIAGS  ALARM
  
```

Memory Allocation Percent The Memory Allocation Percent screen is used to select the percentage of total memory that may be used by the selected record type (lrecs or srecs). Percentages between 0 and 100% are available in increments of 10. Changing this value results in log erasure for both types of records, and changing the percent allocated to one record type will automatically change the other.

- In the Main Menu, choose Instrument Controls > Datalogging Settings > Configure Datalogging > **Memory Allocation %**.

```

SET PERCENT LRECS:
CURRENTLY:           50%
SET TO:              30% ?

↑↓ CHANGE VALUE    ← SAVE

RANGE  AVG  DIAGS  ALARM
  
```

```

SET PERCENT LRECS:
CURRENTLY:           50%
SET TO:              30% ?
THIS WILL ERASE ALL LOGS!
PRESS → TO CONFIRM CHANGE

RANGE  AVG  DIAGS  ALARM
  
```

Data Treatment

The Data Treatment screen is used to select the data type for the selected record type: whether the data should be averaged over the interval, the minimum or maximum measured during the interval, or the current value (last value measured). Data treatment doesn't apply to all data, just to the concentration measurement. All other data points log the current value at the end of the interval.

Note This feature is found in all *i*Series instruments, but it is recommended that the data type be set to ONLY the current value (cur), as the datalogging averaging is done in addition to the normal concentration averaging. ▲

- In the Main Menu, choose Instrument Controls > Datalogging Settings > Configure Datalogging > **Data Treatment**.

```
SET LREC DATA TYPE:
CURRENTLY:  AVG
SET TO:    CUR      ?
↑↓ CHANGE VALUE   ← SAVE
RANGE  AVG  DIAGS ALARM
```

Flag Status Data

The Flag Status Data screen is used to set the flag status data to either ON or OFF for the selected record type.

- In the Main Menu, choose Instrument Controls > Datalogging Settings > Configure Datalogging > **Flag Status Data**.

```
SET LREC FLAG STATUS DATA:
CURRENTLY:  OFF
SET TO:    ON      ?
↑↓ CHANGE VALUE   ← SAVE
RANGE  AVG  DIAGS ALARM
```

Communication Settings

The Communication Settings menu is used for communications control and configuration.

- In the Main Menu, choose Instrument Controls > **Communication Settings**.

```

COMMUNICATION SETTINGS:
>SERIAL SETTINGS
  INSTRUMENT ID
  GESYTEC SERIAL NO
  COMMUNICATION PROTOCOL
  STREAMING DATA CONFIG

  RANGE  AVG  DIAGS  ALARM

TCP/IP SETTINGS
  
```

Serial Settings

The Serial Setting submenu is used for serial communications control and configuration.

- In the Main Menu, choose Instrument Controls > Communication Settings > **Serial Settings**.

```

SERIAL SETTINGS:
>BAUD RATE           9600
  DATA BITS         8
  PARITY             NONE
  STOP BITS          1
  RS-232/485 SEL     RS-232

  RANGE  AVG  DIAGS  ALARM
  
```

Baud Rate

The Baud Rate screen is used to set the RS-232/RS-485 interface baud rate. Baud rates of 1200, 2400, 4800, 9600, 19200, 38400, 57600, and 115200 are available. The analyzer's default baud rate is set to 9600 to provide backwards compatibility with the older C-series analyzers.

- In the Main Menu, choose Instrument Controls > Communication Settings > Serial Settings > **Baud Rate**.

```

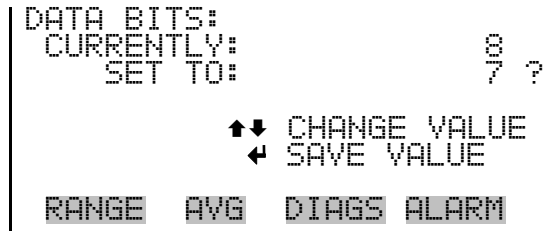
BAUD RATE:
  CURRENTLY:           9600
  SET TO:             19200 ?

      ↑↓ CHANGE VALUE
      ← SAVE VALUE

  RANGE  AVG  DIAGS  ALARM
  
```

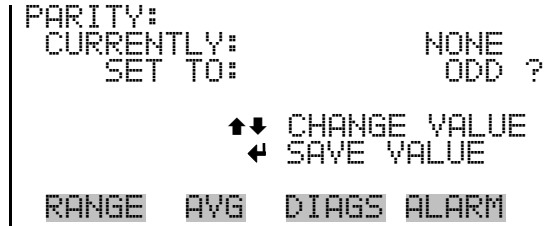
Data Bits The Data Bits screen is used to set the number of serial data bits to either 7 or 8 (default).

- In the Main Menu, choose Instrument Controls > Communication Settings > Serial Settings > **Data Bits**.



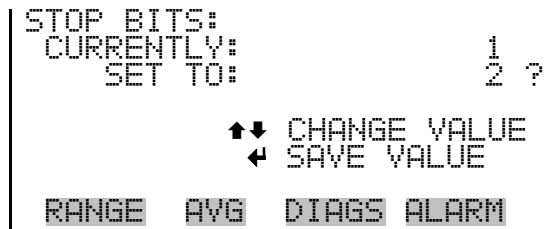
Parity The Parity screen is used to select the parity bit for the serial port to None (default), Even, or Odd.

- In the Main Menu, choose Instrument Controls > Communication Settings > Serial Settings > **Parity**.



Stop Bits The Stop Bits screen is used to set the number of stop bits for the serial port to 1 (default) or 2.

- In the Main Menu, choose Instrument Controls > Communication Settings > Serial Settings > **Stop Bits**.



RS-232/RS-485 Selection The RS-232/RS-485 Selection screen allows the user to choose between the RS-232 or RS-485 specification for serial communication.



Equipment Damage Disconnect the serial cable before changing the RS-232 and RS-485 selection to prevent damage to any equipment currently connected to the analyzer. ▲

- In the Main Menu, choose Instrument Controls > Communication Settings > Serial Settings > **RS-232/485 Selection**.

```

RS-232/RS-485 SELECT:
** WARNING **
DISCONNECT THE SERIAL
CABLES BEFORE CHANGING
THE SELECTION!
      ← TO CONTINUE

RANGE  AVG  DIAGS  ALARM
  
```

```

RS-232/RS-485 SELECT:
CURRENTLY:      RS-232
SET TO:         RS-485 ?
MAKE SURE THAT THE CABLE
IS OFF: PRESS → TO CONFIRM
      ← TOGGLE VALUE

RANGE  AVG  DIAGS  ALARM
  
```

Instrument ID The Instrument ID screen allows the operator to edit the instrument ID number. The ID is used to identify the instrument when using the C-Link or MODBUS protocols to control the instrument or collect data. It may be necessary to edit the ID number if two or more instruments of the same model are connected to one computer. Valid instrument ID numbers are from 0 to 127. The Model 5014i has a default instrument ID of 14. For more information about the instrument ID, see Appendix B “[C-Link Protocol](#)” or Appendix C “[MODBUS Protocol](#)”.

- In the Main Menu, choose Instrument Controls > Communication Settings > **Instrument ID**.

```

INSTRUMENT ID:
CURRENTLY:      14
SET TO:         16 ?

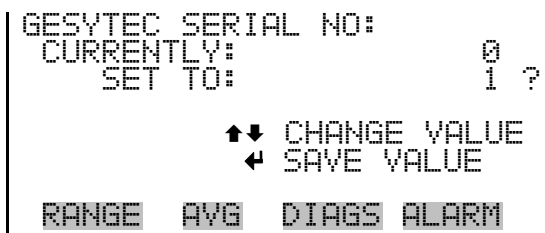
      ↑↓ CHANGE VALUE
      ← SAVE VALUE

RANGE  AVG  DIAGS  ALARM
  
```

Gesytec Serial Number

The Gesytec Serial Number screen is used to set the serial number for the Gesytec protocol. The Gesytec serial number defaults to zero. For more information about the serial number, see Appendix D, “Gesytec (BH) Protocol”.

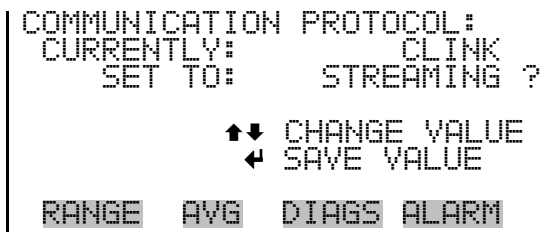
- In the Main Menu, choose Instrument Controls > Communication Settings > **Gesytec Serial No.**



Communication Protocol

The Communication Protocol screen is used to change the protocol for serial communications. Possible choices include: C-Link, MODBUS, Gesytec, and Streaming Data.

- In the Main Menu, choose Instrument Controls > Communication Settings > **Communication Protocol.**



Streaming Data Configuration

The Streaming Data Configuration menu is used to allow for configuration of the 8 streaming data output items, streaming interval, current data format, and current timestamp setting. The Choose Stream Data submenu displays a list of the analog output signal group choices to choose from. Choices are Concentrations, Other Measurements, and Analog Inputs (if the I/O expansion board option is installed).

- In the Main Menu, choose Instrument Controls > Communication Settings > **Streaming Data Config.**

```

STREAMING DATA CONFIG
>INTERVAL          10 SEC
ADD LABELS        NO
PREPEND TIMESTAMP YES
ADD FLAGS         YES
ITEM 1            PM
RANGE  AVG  DIAGS  ALARM
  
```

Streaming Data Interval

The Streaming Data Interval screen is used to adjust how frequently a new record will be generated. The following interval times are available: 1, 2, 5, 10, 20, 30, 60, 90, 120, 180, 240, and 300 seconds.

- In the Main Menu, choose Instrument Controls > Communication Settings > Streaming Data Config > **Interval**.

```

STREAMING DATA INTERVAL:
CURRENTLY:          10 SEC
SET TO:            20 SEC ?
                    ↑↓ CHANGE VALUE
                    ← SAVE VALUE
RANGE  AVG  DIAGS  ALARM
  
```

Note Add Labels, Prepend Timestamp, and Add Flags are toggle items that change between yes or no when selected. ▲

Choose Stream Data

The Choose Stream Data screen displays a list of the types of data that can be sent via streaming data. Choices are Concentrations, Other Measurements, and Analog Inputs (if the I/O expansion board is installed).

- In the Main Menu, choose Instrument Controls > Communication Settings > Streaming Data Config > **Item 1–8**.

```

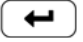
CHOOSE STREAM DATA:
>CONCENTRATIONS
OTHER MEASUREMENTS
ANALOG INPUTS
RANGE  AVG  DIAGS  ALARM
  
```

Concentrations

The Concentrations screen allows the user to assign one of the concentrations to the selected streaming data item. The currently selected

Operation

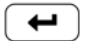
Instrument Controls Menu

item is shown by “<--” after it. Once an item is selected, pressing  will save the selected streaming data item.

- In the Main Menu, choose Instrument Controls > Communication Settings > Streaming Data Config > select Item > **Concentrations**.

```
CONCENTRATIONS:
>NONE
PM
AVG PM
                                     <--
RANGE  AVG  DIAGS  ALARM
```


Other Measurements

The Other Measurements screen allows the user to assign one of the other available measurement types to the selected streaming data item. The currently selected item is shown by “<--” after it. Once an item is selected, pressing  will save the selected streaming data item. For Common Flags and Detector A Flags, see [Figure 3-5](#) and [Figure 3-6](#) for data descriptions.

- In the Main Menu, choose Instrument Controls > Communication Settings > Streaming Data Config > select Item > **Other Measurements**.

```
OTHER MEASUREMENTS:
>NONE
BARO PRES
VACUUM
FLOW PRES
AMB RH
                                     ↓
RANGE  AVG  DIAGS  ALARM
```

```
SAMP RH
AMB TEMP
BRD TEMP
FLOW TEMP
FLOW VOL
BETA
BETA RAW
ALPHA RAW
MASS
BETA ZERO
EXT ALARMS
BETA REF
COMMON FLAGS
DET A FLAGS
MASSCMP
```

Analog Inputs The Analog Inputs screen allows the user to assign an analog input signal (none or analog inputs 1–8) to the selected streaming data item. The currently selected item is shown by “<--” after it. Once an item is selected, pressing  will save the selected streaming data item.

- In the Main Menu, choose Instrument Controls > Communication Settings > Streaming Data Config > select Item > **Analog Inputs**.

```

ANALOG INPUTS:
>NONE
ANALOG IN 1
ANALOG IN 2
ANALOG IN 3
ANALOG IN 4
                                     ↓
RANGE  AVG  DIAGS  ALARM
  
```

TCP/IP Settings The TCP/IP Settings menu is used for defining parameters that are required for Ethernet communications.

Note The instrument power must be cycled after any of these parameters have been changed for the change to take effect. ▲

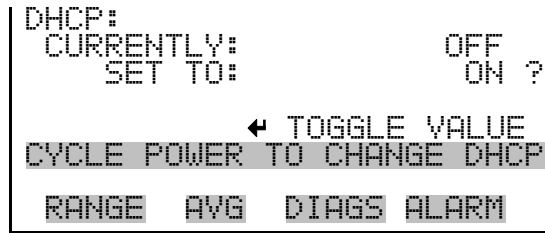
- In the Main Menu, choose Instrument Controls > Communication Settings > **TCP/IP Settings**.

```

TCP/IP SETTINGS:
>USE DHCP                OFF
IP ADDR      10.209.40.149
NETMASK      255.255.252.0
GATEWAY      10.209.42.1
HOST NAME    Iseries ↓
RANGE  AVG  DIAGS  ALARM
NTP SVR      10.209.43.237
  
```

Use DHCP The Use DHCP screen is used to specify whether to use Dynamic Host Configuration Protocol (DHCP) or not. When DHCP is enabled, the network dynamically provides an IP address for the instrument.

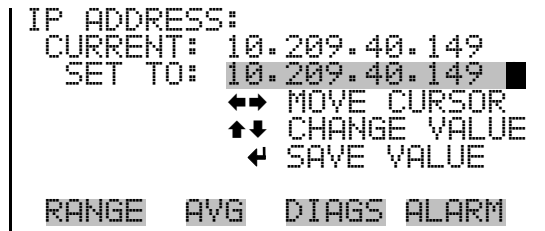
- In the Main Menu, choose Instrument Controls > Communication Settings > TCP/IP Settings > **Use DHCP**.



IP Address

The IP Address screen is used to edit the IP address. The IP address can only be changed when DHCP is off. If DHCP is on, the instrument will respond with “NOT SETTABLE IF DHCP IS ON”. For more information on DHCP, see “Use DHCP” above.

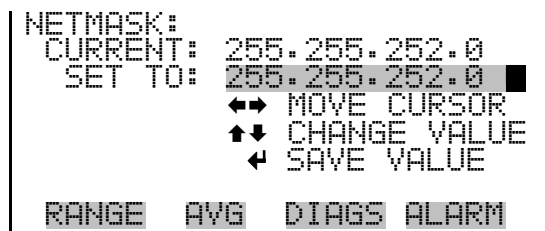
- In the Main Menu, choose Instrument Controls > Communication Settings > TCP/IP Settings > **IP Addr.**



Netmask

The Netmask screen is used to edit the netmask. The netmask is used to determine the subnet on which the instrument can directly communicate to other devices. The netmask can only be changed when DHCP is off. If DHCP is on, the instrument will respond with “NOT SETTABLE IF DHCP IS ON”. For more information on DHCP, see “Use DHCP” above.

- In the Main Menu, choose Instrument Controls > Communication Settings > TCP/IP Settings > **Netmask.**



Default Gateway

The Default Gateway screen is used to edit the gateway address. The default gateway can only be changed when DHCP is off. If DHCP is on,

the instrument will respond with “NOT SETTABLE IF DHCP IS ON”. For more information on DHCP, see “Use DHCP” above. Any traffic to addresses that are not on the local subnet will be routed through this address.

- In the Main Menu, choose Instrument Controls > Communication Settings > TCP/IP Settings > **Gateway**.

```

DEFAULT GATEWAY:
CURRENT: 10.209.42.1
SET TO: 10.209.42.1
      ←→ MOVE CURSOR
      ↑↓ CHANGE VALUE
      ← SAVE VALUE

RANGE  AVG  DIAGS  ALARM
  
```

Host Name The Host Name screen is used to edit the host name. When DHCP is enabled, this name is reported to the DHCP server.

- In the Main Menu, choose Instrument Controls > Communication Settings > TCP/IP Settings > **Host Name**.

```

HOST NAME:
CURRENT: I SERIES
      I SERIES ?
      ABCDEFGHIJKLMNOP BKSP
      OPQRSTUVWXYZ PAGE
      0123456789 ./- SAVE

RANGE  AVG  DIAGS  ALARM
  
```

Network Time Protocol Server The Network Time Protocol (NTP) Server screen is used to edit the IP address of the NTP server. An NTP server may be used to periodically synchronize the instrument’s real-time clock with a standard. More information about the NTP servers and a list of public servers may be found at <http://www.ntp.org>.

- In the Main Menu, choose Instrument Controls > Communication Settings > TCP/IP Settings > **NTP Svr**.

```

NTP SERVER IP ADDRESS:
CURRENT: 10.209.43.237
SET TO: 10.209.43.237
  ↔ MOVE CURSOR
  ↑↓ CHANGE VALUE
  ← SAVE VALUE

RANGE  AVG  DIAGS  ALARM
    
```

I/O Configuration

The I/O Configuration menu deals with configuration of the analyzer's I/O system. The analog input configuration is displayed only if the I/O expansion board option is installed.

- In the Main Menu, choose Instrument Controls > **I/O Configuration**.

```

I/O CONFIGURATION:
>OUTPUT RELAY SETTINGS
DIGITAL INPUT SETTINGS
ANALOG OUTPUT CONFIG
ANALOG INPUT CONFIG

RANGE  AVG  DIAGS  ALARM
    
```

Output Relay Settings

The Output Relay Settings menu displays a list of the 10 digital output relays available, and allows the user to select the logic state and instrument parameter for the relay selected.

Note The digital outputs may take up to one second after the assigned state occurs to show up on the outputs. ▲

- In the Main Menu, choose Instrument Controls > I/O Configuration > **Output Relay Settings**.


```

OUTPUT RELAY SETTINGS:
>1  NOP          CONC ALARM
 2  NOP          LOCAL/REMOTE
 3  NOP          UNITS
 4  NOP          GEN ALARM
 5  NOP          NONE ↓

RANGE  AVG  DIAGS  ALARM
    
```

Logic State

The Logic State menu item is used to change the selected I/O relay to either normally open or normally closed. The default state is open, which indicates that a relay connected between the digital output pin and ground is normally open and closes to trigger the digital output action.

- Press  to toggle and set the logic state to normally open or normally closed.

```

OUTPUT RELAY SETUP:
>LOGIC STATE      OPEN
INSTRUMENT STATE

RANGE  AVG  DIAGS  ALARM
  
```

Instrument State

The Instrument State submenu allows the user to select the instrument state that is assigned to the selected relay output. A submenu lists signal types of either alarms or non-alarm to choose from.

- In the Main Menu, choose Instrument Controls > I/O Configuration > Output Relay Settings > select Relay > **Instrument State**.

```

CHOOSE SIGNAL TYPE:
>ALARMS
NON-ALARM

RANGE  AVG  DIAGS  ALARM
  
```

Alarms

The Alarms screen allows the user to select an alarm status for the selected relay output. The currently selected item is shown by “<--” after it. The I/O board status alarm is only present if the I/O expansion board is installed.

- In the Main Menu, choose Instrument Controls > I/O Configuration > Output Relay Settings > select Relay > Instrument State > **Alarms**.

```

ALARM STATUS ITEMS:
>NONE
GEN ALARM
CONC ALARM          <--
INST ALARMS
DET ALARMS          ↓

RANGE  AVG  DIAGS  ALARM

RH/TEMP ALARMS
PRES/VAC ALARMS
FLOW ALARMS
  
```

Non-Alarm The Non-Alarm screen allows the user to select a non-alarm status for the selected relay output. The currently selected item is shown by “<--” after it.

- In the Main Menu, choose Instrument Controls > I/O Configuration > Output Relay Settings > select Relay > Instrument State > **Non-Alarm**.

```
NON ALARM STATUS ITEMS:
>NONE
LOCAL/REMOTE
SERVICE
UNITS
MODE A
RANGE  AVG  DIAGS  ALARM
```

Digital Input Settings The Digital Input Settings menu displays a list of the 16 digital inputs available, and allows the user to select the logic state and instrument parameter for the relay selected.


Note The digital inputs must be asserted for at least one second for the action to be activated. ▲

Not all of the I/O available in the instrument are brought out on the supplied terminal board. If more I/O is desired, an alternative means of connection is required. (See optional “[Terminal Block and Cable Kits](#)”.) ▲

- In the Main Menu, choose Instrument Controls > I/O Configuration > **Digital Input Settings**.

```
DIGITAL INPUT SETTINGS:
>1  NOP          MODE A
2  NOP          AOUTS TO ZERO
3  NOP          PUMP CNTRL
4  NOP          PRES CNTRL
5  NOP          NONE
RANGE  AVG  DIAGS  ALARM
```

Logic State The Logic State menu item is used to change the selected I/O relay to either normally open or normally closed. The default state is open, which indicates that a relay connected between the digital input pin and ground is normally open and closes to trigger the digital input action.

- Press  to toggle and set the logic state to normally open or normally closed.

```
DIGITAL INPUT SETUP:
>LOGIC STATE      OPEN
INSTRUMENT ACTION

RANGE  AVG  DIAGS  ALARM
```

Instrument Action

The Instrument Action submenu allows the user to choose the instrument action that is assigned to the selected digital input.

- In the Main Menu, choose Instrument Controls > I/O Configuration > Digital Input Settings > select Relay > **Instrument Action**.

```
CHOOSE ACTION:
>NONE
MODE A
AOUTS TO ZERO
AOUTS TO FS
FT COUNT

RANGE  AVG  DIAGS  ALARM
```

```
FT CNTRL
PUMP CNTRL
TEMP CNTRL
PRES CNTRL
HT CNTRL A
RH/TEMP CNTRL A
ALARM 1
ALARM 2
ALARM 3
```

Analog Output Configuration (Select Channel)

The Analog Output Configuration menu displays a list of the analog output channels available for configuration. Channel choices include all voltage channels, all current channels, individual voltage channels 1–6, and individual current channels 1–6 (if the I/O expansion board option is installed).

- In the Main Menu, choose Instrument Controls > I/O Configuration > **Analog Output Config**.

```

OUTPUT CHANNELS:
>ALLOW OVER/UNDER RANGE
  ALL VOLTAGE CHANNELS
  ALL CURRENT CHANNELS
  VOLTAGE CHANNEL 1
  VOLTAGE CHANNEL 2
                                     ↓
RANGE  AVG  DIAGS  ALARM
    
```

Allow Over/Under Range

The Allow Over/Under Range screen is used to select whether or not the analog outputs are allowed to exceed the maximum selected value of 100 mV, 1 V, 5 V, 10 V, or 20 mA or the minimum selected value of 0 V, 0 mA, or 4 mA. By default, this parameter is set to on and 5% over and under range is allowed for all analog output channels.

- In the Main Menu, choose Instrument Controls > I/O Configuration > Analog Output Config > **Allow Over/Under Range**.

```

ALLOW OVER/UNDER RANGE:
CURRENTLY:                ON
SET TO:                   OFF ?
                            ← TOGGLE VALUE
RANGE  AVG  DIAGS  ALARM
    
```

Analog Output Configuration (Select Action)

The Analog Output Configuration menu displays a list of the analog output configuration choices, from which the user selects the parameter to adjust for the selected output channel. Configuration choices include selecting range, setting minimum/maximum values, and choosing the signal to output.

- In the Main Menu, choose Instrument Controls > I/O Configuration > Analog Output Config > **All Voltage Channels, All Current Channels, Voltage Channel 1–6 or Current Channel 1–6**.

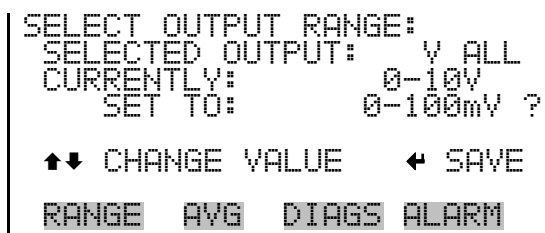
```

ANALOG OUTPUT CONFIG:
>SELECT RANGE
  SET MINIMUM VALUE
  SET MAXIMUM VALUE
  CHOOSE SIGNAL TO OUTPUT
RANGE  AVG  DIAGS  ALARM
    
```

Select Range

The Select Range screen is used to select the hardware range for the selected analog output channel. Possible ranges for the voltage outputs are: 0-100 mV, 0-1, 0-5, and 0-10 V. Possible ranges for the current outputs are: 0-20 mA and 4-20 mA.

- In the Main Menu, choose Instrument Controls > I/O Configuration > Analog Output Config > select Channel > **Select Range**.



Minimum and Maximum Value

The Minimum and Maximum Value screens are used to edit the zero (0) and full-scale (100) values, respectively, in percentages for the selected analog output channel. See [Table 3-4](#) for a list of choices. The minimum and maximum output value screens function the same way. The following example shows the set minimum value screen.

- In the Main Menu, choose Instrument Controls > IO Configuration > Analog Output Config > select Channel > **Set Minimum** or **Maximum Value**.

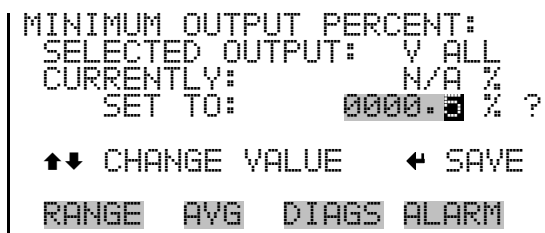


Table 3-4. Analog Output Zero to Full-Scale

Output	Zero (0)% Value	Full-Scale 100% Value
PM	Zero (0)	Range Setting
AVG PM	Zero (0)	Range Setting
Barometer Pressure	User-set alarm min value	User-set alarm max value
Vacuum	User-set alarm min value	User-set alarm max value

Operation

Instrument Controls Menu

Output	Zero (0)% Value	Full-Scale 100% Value
Flow Pressure	User-set alarm min value	User-set alarm max value
Ambient RH	User-set alarm min value	User-set alarm max value
Sample RH	User-set alarm min value	User-set alarm max value
Ambient Temp	User-set alarm min value	User-set alarm max value
Board Temp	User-set alarm min value	User-set alarm max value
Flow Temp	User-set alarm min value	User-set alarm max value
Flow Vol	User-set alarm min value	User-set alarm max value
Beta	User-set alarm min value	User-set alarm max value
Beta Raw	User-set alarm min value	User-set alarm max value
Alpha Raw	User-set alarm min value	User-set alarm max value
Mass	-200	5,000
Beta Zero	0	65,000
External Alarms	0	7,000
Beta Ref	0	65,000

Choose Signal to Output

The Choose Signal to Output screen displays a list of the analog output signal choices. Choices are grouped into three categories: Concentrations, Other Measurements, and Analog Inputs (if the I/O expansion board option is installed). This allows the user to select the output signal that will be assigned to each analog channel. The Concentrations screen is shown below. See [Table 3-5](#) for a list of items for each signal group choice.

- In the Main Menu, choose Instrument Controls > I/O Configuration > Analog Output Config > select Channel > **Choose Signal to Output**.

```
CHOOSE SIGNAL TYPE:
>CONCENTRATIONS
  OTHER MEASUREMENTS
  ANALOG INPUTS

RANGE  AVG  DIAGS  ALARM
```

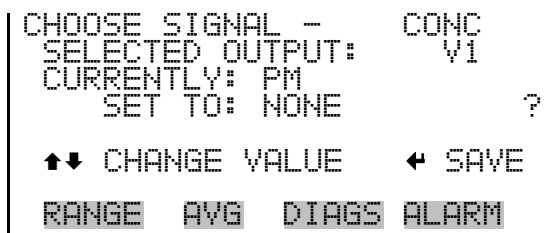



Table 3–5. Signal Type Group Choices

Concentrations	Other Measurements	Analog Inputs
None	None	None
PM	Barometer Pressure	Analog Input 1 (if the I/O expansion board is installed)
AVG PM	Vacuum	Analog Input 2 (if the I/O expansion board is installed)
	Flow Pressure	Analog Input 3 (if the I/O expansion board is installed)
	Ambient RH	Analog Input 4 (if the I/O expansion board is installed)
	Sample RH	Analog Input 5 (if the I/O expansion board is installed)
	Ambient Temp	Analog Input 6 (if the I/O expansion board is installed)
	Board Temp	Analog Input 7 (if the I/O expansion board is installed)
	Flow Temp	Analog Input 8 (if the I/O expansion board is installed)
	Flow Vol	
	Beta	
	Beta Raw	
	Alpha Raw	
	Mass	
	Beta Zero	
	External Alarms	
	Beta Ref	
	Common Flags	
	Det A Flags	

Analog Input Configuration The Analog Input Configuration menu displays a list of the 8 analog input channels available for configuration. This screen is only displayed if the I/O expansion board option is installed. Configuration includes entering the Descriptor, Units, Decimal Places, choice of 1–10 points in the table, and corresponding number of points selected.

- In the Main Menu, choose Instrument Controls > I/O Configuration > **Analog Input Config.**

```
ANALOG INPUT CONFIG:
>CHANNEL 1          IN1
CHANNEL 2          IN2
CHANNEL 3          IN3
CHANNEL 4          IN4
CHANNEL 5          IN5 ↓
RANGE  AVG  DIAGS  ALARM
```

```
ANALOG INPUT 01 CONFIG:
>DESCRIPTOR          IN1
UNITS                V
DECIMAL PLACES      2
TABLE POINTS        2
POINT 1
RANGE  AVG  DIAGS  ALARM
```

POINT 2

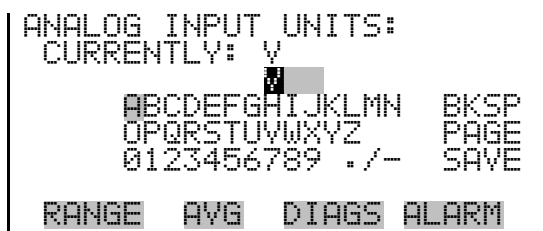
Descriptor The Descriptor screen allows the user to enter the descriptor, or name, for the selected analog input channel. The descriptor is used in datalogging and streaming data to report what data is being sent out. The descriptor may be from 1 to 3 characters in length, and defaults to IN1 to IN8 (user input channel number).

- In the Main Menu, choose Instrument Controls > I/O Configuration > Analog Input Config > select Channel > **Descriptor.**

```
ANALOG INPUT DESCRIPTOR:
CURRENTLY: IN1
          IN1
          ABCDEFGHIJKLMN BKSP
          OPQRSTUVWXYZ  PAGE
          0123456789 ./-  SAVE
RANGE  AVG  DIAGS  ALARM
```

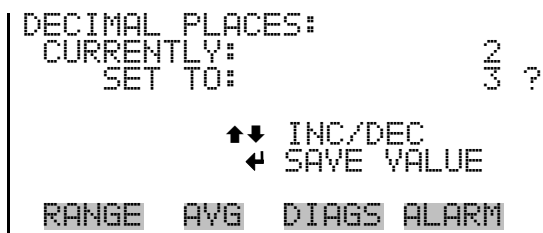
Units The Units screen allows the user to enter the units for the selected analog input channel. The units are displayed on the diagnostic screen and in datalogging and streaming data. The units may be from 1 to 3 characters in length, and defaults to V (volts).

- In the Main Menu, choose Instrument Controls > I/O Configuration > Analog Input Config > select Channel > **Units**.



Decimal Places The Decimal Places screen allows the user to select how many digits are displayed to the right of the decimal point, from 0 to 6, with a default of 2.

- In the Main Menu, choose Instrument Controls > I/O Configuration > Analog Input Config > select Channel > **Decimal Places**.



Number of Table Points The Number of Table Points screen allows the user to select how many points are used in the analog input conversion table for the selected channel. The instrument uses linear interpolation between the points in this table to determine what the reading value is based on the analog input voltage. Each point in the table consists of an analog input voltage value (0–10.5 V) and a corresponding reading value. Only two points are necessary for linear inputs, however a larger number of points may be used to approximate non-linear inputs. The points range from 2 to 10, with a default of 2.

- In the Main Menu, choose Instrument Controls > I/O Configuration > Analog Input Config > select Channel > **Table Points**.

```
NUMBER OF TABLE POINTS:
CURRENTLY:                2
SET TO:                   10 ?

      ↑↓ INC/DEC
      ← SAVE VALUE

RANGE  AVG  DIAGS  ALARM
```

Table Points The Table Point submenu allows the user to set up an individual table point.

- In the Main Menu, choose Instrument Controls > I/O Configuration > Analog Input Config > select Channel > **Point 1–10**.

```
TABLE POINT 01 CONFIG:
>VOLTS                0.00
USER VALUE            0.00

RANGE  AVG  DIAGS  ALARM
```

Volts The Volts screen allows the user to set the input voltage for the selected table point in the conversion table, from 0.00 to 10.50. The default table is a two-point table with point 1: 0.00 V = 000.0 U and point 2: 10.00 V = 10.0 U, where U is the previously entered unit of measure.

- In the Main Menu, choose Instrument Controls > I/O Configuration > Analog Input Config > select Channel > select Point > **Volts**.

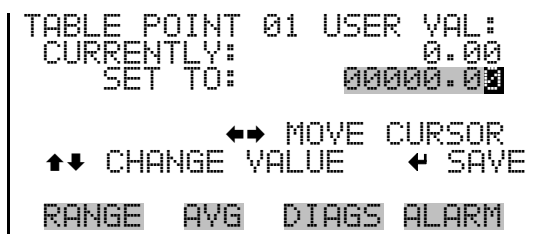
```
TABLE POINT 01 VOLTS:
CURRENTLY:            0.00
SET TO:              00.00

      ↔ MOVE CURSOR
      ↑↓ CHANGE VALUE  ← SAVE

RANGE  AVG  DIAGS  ALARM
```

User Value The User Value screen allows the user to set the output value for the corresponding input voltage for the selected table point in the conversion table, from -9999999 to 99999999. The default table is a two-point table with point 1: 0.00 V = 000.0 U and point 2: 10.00 V = 10.0 U, where U is the previously entered unit of measure.

- In the Main Menu, choose Instrument Controls > I/O Configuration > Analog Input Config > select Channel > select Point > **User Value**.



Screen Contrast

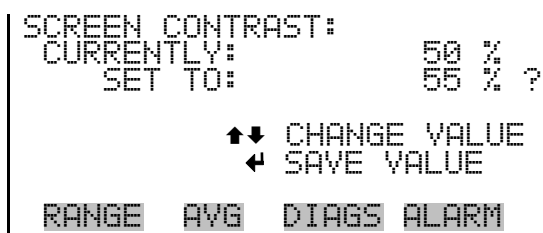
The Screen Contrast screen is used to change the contrast of the display. Intensities between 0 and 100% in increments of 5 are available. Changing the screen contrast may be necessary if the instrument is operated at extreme temperatures.

Note The optimal contrast will change with changes in temperature. ▲

Note The optimal contrast will change from one LCD to another. If the LCD is replaced, the contrast may need to be reset. ▲

If the display contrast is not optimal, but the content on the screen is visible, select Instrument Controls > **Screen Contrast** and adjust the screen contrast. If the content on the screen is not visible, use the “set contrast 10” C-Link command to set the screen contrast to mid-range, then optimize the contrast. See “contrast levels” in Appendix B, “[C-Link Protocol Commands](#)” for more information on this command. ▲

- In the Main Menu, choose Instrument Controls > **Screen Contrast**.



Service Mode

The Service Mode screen is used to turn the service mode on or off. Turning service mode “ON” locks out any remote actions and allows access to parameters and functions that are useful when making adjustments or

diagnosing the Model 5014*i*. The service (wrench) icon on the status bar is shown when service mode is on. For more information about the service mode, see “Service Menu” later in this chapter.

Note The service mode should be turned off when finished, as it prevents remote operation. ▲

- In the Main Menu, choose Instrument Controls > **Service Mode**.

```
SERVICE MODE:
CURRENTLY:      OFF
SET TO:         ON ?

      ← TOGGLE VALUE

RANGE  AVG  DIAGS  ALARM
```

Date/Time The Date/Time screen allows the user to view and change the system date and time (24-hour format). The internal clock is powered by its own battery when instrument power is off.

- In the Main Menu, choose Instrument Controls > **Date/Time**.

```
DATE AND TIME:
19 MAR 2005 12:34:56
PRESS ← TO EDIT

RANGE  AVG  DIAGS  ALARM
```

```
DATE AND TIME:
19 MAR 2005 12:34:56 ?
SETTING: DAYS
  → SET MONTHS
  ↑↓ CHANGE VALUE
  ← SAVE VALUE

RANGE  AVG  DIAGS  ALARM
```

Timezone The Timezone screen is used to set the timezone for the Network Time Protocol (NTP) server. This should be set to the timezone that the instrument is located in. If the exact timezone is not shown in the list, it may be entered via the C-LINK “tz” command (see Appendix B). The selections are: UTC (GMT), EST (GMT+5), CST (GMT+6), MST (GMT+7), PST (GMT+8), YST (GMT+9), HST (GMT+10), NST (GMT+11), DLW (GMT+12), CET (GMT-1), EET (GMT-2), BST (GMT-3), DLT (GMT-4), ECH (GMT-5), FOX (GMT-6), GLF (GMT-7), CCT (GMT-8), JST (GMT-9), GST (GMT-10), LMA (GMT-11), DLE (GMT-12), EDT (GMT+5/4), CDT (GMT+6/5), MDT (GMT+7/6), and PDT (GMT+8/7).

Note The current timezone may say NULL before the timezone is set for the first time, or if the timezone was cleared with a C-Link command. ▲

- In the Main Menu, choose Instrument Controls > **Timezone**.

```

TIMEZONE FOR TIMESERVER:
CURRENTLY: UTC (GMT)
SET TO: EST (GMT+5) ?

      ↑↓ CHANGE VALUE
      ← SAVE VALUE

RANGE  AVG  DIAGS  ALARM
  
```

Diagnostics Menu

The Diagnostics menu provides access to diagnostic information and functions. This menu is useful when troubleshooting the instrument. The analog input readings and analog input voltages are only displayed if the I/O expansion board option is installed.

- In the Main Menu, choose **Diagnostics**.

```

DIAGNOSTICS:
>PROGRAM VERSIONS
VOLTAGES
RH/TEMPERATURE
PRESSURE/VACUUM
FLOW
                                     ↓

RANGE  AVG  DIAGS  ALARM
  
```

```

DETECTOR STATUS
CRn
ANALOG INPUT READINGS
ANALOG INPUT VOLTAGES
DIGITAL INPUTS
RELAY STATES
TEST ANALOG OUTPUTS
INSTRUMENT CONFIGURATION
CONTACT INFORMATION
  
```

Program Versions

The Program Versions screen (read only) shows the version numbers of the programs installed. Prior to contacting the factory with any questions regarding the instrument, please note the product model name and the program version numbers.

- In the Main Menu, choose Diagnostics > **Program Versions**.

```
PROGRAM VERSIONS:  
PRODUCT:      MODEL 5014i  
VERSION:      00.00.32.073  
FIRMWARE:     10.22.95  
  
RANGE  AVG  DIAGS  ALARM
```

Voltages

The Voltages menu displays the current diagnostic voltage readings. This screen enables the power supply to be quickly read for low or fluctuating voltages without having to use a voltage meter. The I/O board item is only displayed if the I/O expansion board option is installed.

- In the Main Menu, choose Diagnostics > **Voltages**.

```
VOLTAGES:  
>MOTHERBOARD  
INTERFACE BOARD  
I/O BOARD  
DETECTOR BOARD  
  
RANGE  AVG  DIAGS  ALARM
```

Motherboard Voltages

The Motherboard screen (read only) is used to display the voltage readings on the motherboard.

- In the Main Menu, choose Diagnostics > Voltages > **Motherboard**.

```
MOTHERBOARD VOLTAGES:  
3.3 SUPPLY          3.3 V  
5.0 SUPPLY          5.0 V  
15.0 SUPPLY         15.0 V  
24.0 SUPPLY         24.1 V  
-3.3 SUPPLY         -3.3 V  
  
RANGE  AVG  DIAGS  ALARM
```

Interface Board Voltages

The Interface Board screen (read only) is used to display the voltage readings on the measurement interface board.

- In the Main Menu, choose Diagnostics > Voltages > **Interface Board**.


```

INTERFACE BOARD VOLTAGES:
 3.3 SUPPLY          3.3 V
 5.0 SUPPLY          5.0 V
15.0 SUPPLY          15.0 V
24.0 SUPPLY          24.0 V
-15.0 SUPPLY         -15.0 V

RANGE  AVG  DIAGS  ALARM

```

I/O Board Voltages

The I/O Board screen (read only) is used to display the voltage readings on the I/O expansion board. This menu is only displayed if the I/O expansion board option is installed.

- In the Main Menu, choose Diagnostics > Voltages > **I/O Board**.

```

I/O BOARD VOLTAGES:
 3.3 SUPPLY          3.3 V
 5.0 SUPPLY          5.0 V
24.0 SUPPLY          24.0 V
-3.3 SUPPLY          -3.3 V

RANGE  AVG  DIAGS  ALARM

```

Detector Board Voltages

The Detector Board screen (read only) is used to display the voltage readings on the measurement interface board.

- In the Main Menu, choose Diagnostics > Voltages > **Detector Board**.

```

DETECTOR BOARD:
 5.0 SUPPLY          5.0 V

RANGE  AVG  DIAGS  ALARM

```

RH/Temperature

The RH/Temperature screen (read only) displays the current relative humidity and temperature readings. The board temperature is the air temperature measured by a sensor located on the measurement interface board.

- In the Main Menu, choose Diagnostics > **RH/Temperature**.

```
RH/TEMPERATURES:
>AMBIENT RH      40.0  %
SAMPLE RH       36.4  %
AMBIENT TEMP    22.9  °C
FLOW TEMP       23.9  °C
BOARD TEMP      24.9  °C↓
RANGE  AVG  DIAGS  ALARM
```

Pressure/Vacuum

The Pressure/Vacuum screen (read only) displays the current pressure readings. The pressure is measured by a pressure transducer. The vacuum is the amount of vacuum under the filter tape. The flow pressure is the pressure differential across the orifice.

- In the Main Menu, choose Diagnostics > **Pressure/Vacuum**.

```
PRESSURE/VACUUM:
BAROMETRIC      760.1 mmHg
VACUUM          60.5 mmHg
FLOW            21.5 mmHg
RANGE  AVG  DIAGS  ALARM
```

Flow

The Flow screen (read only) displays the current sample flow reading. The flow is measured by the internal pressure board sensors.

- In the Main Menu, choose Diagnostics > **Flow**.

```
FLOW:          16.67 LPM
RANGE  AVG  DIAGS  ALARM
```

Detector Status

The Detector Status screen (read only) displays the current sample mass reading, alpha counts, and beta counts.

Note A mass value will only be calculated when the flowrate is within acceptable limits. However, when in Service Mode, a mass value will be calculated if the pump is turned OFF. ▲

- In the Main Menu, choose Diagnostics > **Detector Status**.

```

DETECTOR STATUS:
MASS                0 ug
ALPHA                2 1/sec
BETA                13577 1/sec
BETA CORR           13577 1/sec
BETA ZERO           6500 1/sec

RANGE  AVG  DIAGS  ALARM
  
```

CRn The CRn screen (read only) displays the current CRn reading.

- In the Main Menu, choose Diagnostics > **CRn**.

```

CRn                0.00 Bq/m3

RANGE  AVG  DIAGS  ALARM
  
```

Analog Input Readings

The Analog Input Readings screen (read only) displays the 8 user-scaled analog readings (if the I/O expansion board option is installed).

- In the Main Menu, choose Diagnostics > **Analog Input Readings**.

```

ANALOG INPUT READINGS:
>PM                1.2 mg/m3
FLOW               16.67 LPM
SAMPLE RH          42 %
MASS               279 ug
IO5                0.0 V↓

RANGE  AVG  DIAGS  ALARM
  
```

Analog Input Voltages

The Analog Input Voltages screen (read only) displays the 8 raw analog voltage readings (if the I/O expansion board option is installed).

- In the Main Menu, choose Diagnostics > **Analog Input Voltages**.

```
ANALOG INPUT VOLTAGES:
>ANALOG IN 1      6.24 V
ANALOG IN 2      4.28 V
ANALOG IN 3      0.00 V
ANALOG IN 4      0.00 V
ANALOG IN 5      0.00 V↓
RANGE  AVG  DIAGS  ALARM
```

Digital Inputs


The Digital Inputs screen (read only) displays the state of the 16 digital inputs. Pull-ups are provided on all of the inputs, so if nothing they will read (1), if an input is brought to ground, it will read (0).

- In the Main Menu, choose Diagnostics > **Digital Inputs**.

```
DIGITAL INPUTS:
>INPUT 1          1
INPUT 2          1
INPUT 3          1
INPUT 4          1
INPUT 5          1↓
RANGE  AVG  DIAGS  ALARM
```

Relay States

The Relay States screen displays the state of the 10 digital outputs and allows toggling of the state to either on (1) or off (0). The relays are restored to their original states upon exiting this screen.

- In the Main Menu, choose Diagnostics > **Relay States**.
- Press  to toggle and set the relay state to open or closed for the selected digital output.

```
RELAY STATE:
>OUTPUT 1        0
OUTPUT 2        0
OUTPUT 3        0
OUTPUT 4        1
OUTPUT 5        1↓
RANGE  AVG  DIAGS  ALARM
```

Test Analog Outputs

The Test Analog Outputs menu is used to set each of the analog output channels to zero or full-scale. Channel choices include all analog outputs, 6 voltage channels, and 6 current channels (if the I/O expansion board option is installed).

- In the Main Menu, choose Diagnostics > **Test Analog Outputs**.

```

TEST ANALOG OUTPUTS:
>ALL
VOLTAGE CHANNEL 1
VOLTAGE CHANNEL 2
VOLTAGE CHANNEL 3
VOLTAGE CHANNEL 4

RANGE  AVG  DIAGS  ALARM
  
```

Set Analog Outputs

The Set Analog Outputs screen contains three choices: Set to full-scale, set to zero, or reset to normal. Full-scale sets the analog outputs to the full-scale voltage, zero sets the analog outputs to 0 volts, and reset returns the output to normal operation. The analog outputs are returned to normal operation upon exiting this screen. The following example shows the screen when all analog outputs are set to “normal” operating mode.

- In the Main Menu, choose Diagnostics > Test Analog Outputs > **ALL**, **Voltage Channel 1–6**, or **Current Channel 1–6**.


```

SET ANALOG OUTPUTS:
SETTING:                ALL
OUTPUT SET TO:         NORMAL
↑ SET TO FULL SCALE
↓ SET TO ZERO
← RESET TO NORMAL

RANGE  AVG  DIAGS  ALARM
  
```

Instrument Configuration

The Instrument Configuration screen displays information on the hardware configuration of the instrument.

Note If the analyzer is in service mode, pressing  will toggle the selected item between yes and no. ▲

- In the Main Menu, choose Diagnostics > **Instrument Configuration**.

```

INSTRUMENT CONFIGURATION:
>I/O EXPANSION BOARD YES
DETECTOR                BETA
DETECTOR B              NONE

↑↓ CHANGE VALUE      ← SAVE

RANGE  AVG  DIAGS  ALARM
  
```

Contact Information

The Contact Information screen displays the customer service information.

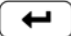
- In the Main Menu, choose Diagnostics > **Contact Information**.

```
CONTACT INFORMATION:
CALL CENTER: 508-520-0430
http://WWW.THERMO.COM/AQI
RANGE  AVG  DIAGS  ALARM
```

Alarms Menu

The alarms menu allows the user to view a set of alarms for different boards and displays a list of items that are monitored by the analyzer. The number of alarms detected is displayed to indicate how many alarms have occurred. If no alarms are detected, the number zero is displayed.

If the item being monitored goes outside the lower or upper limit, the status of that item will go from “OK” to either “LOW” or “HIGH”, respectively. If the alarm is not a level alarm, the status will go from “OK” to “FAIL”. The number of alarms detected is displayed to indicate how many alarms have occurred. If no alarms are detected, the number zero is displayed.

Items displayed are determined by the options installed. To see the actual reading of an item and its minimum and maximum limits, move the cursor to the item and press . If the readings go beyond either the minimum or maximum limit, an alarm is activated and the alarm (bell) icon appears in the status bar on the Run screen and in the Main Menu.

If any alarms are active, the alarm (bell) icon is displayed on the right side of the status bar.

- In the Main Menu, choose **Alarms**.

```
ALARMS:
ALARMS DETECTED           0
>INSTRUMENT ALARMS       0
DETECTOR ALARMS          0
RH/TEMPERATURE ALARMS    0
PRESSURE/VACUUM ALARMS   0↓
RANGE  AVG  DIAGS  ALARM
FLOW ALARMS               0
CONC ALARMS               0
```

Instrument Alarms

The Instrument Alarms submenu allows the user to view a set of alarms for different boards. The filter tape change, heater power, and bench items (motherboard, interface board and I/O expansion board) are read only. The motherboard status, interface board status, and I/O expansion board status (if installed) indicate that the power supplies are working and connections are successful. There are no setting screens for these alarms.

- In the Main Menu, choose Alarms > **Instrument Alarms**.

```

INSTRUMENT ALARMS:
>FILTER TAPE COUNTER      OK
  FILTER TAPE CHANGE      OK
  BENCH                    OK
  HEATER POWER            OK
  MOTHERBOARD STATUS      OK↓
RANGE  AVG  DIAGS  ALARM

INTERFACE STATUS          OK
I/O EXP STATUS            OK
  
```

Filter Tape Counter

The Filter Tape Counter screen displays the current filter tape counter value and sets the maximum alarm limit. If the filter tape counter reading goes beyond the maximum limit, an alarm is activated and the alarm (bell) icon appears in the status bar on the Run screen and in the Main Menu.

- In the Main Menu, choose Alarms > Instrument Alarms > **Filter Tape Counter**.

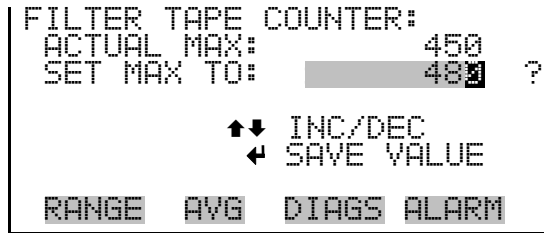
```

FILTER TAPE COUNTER:
  ACTUAL                0
  >MAX                  450
RANGE  AVG  DIAGS  ALARM
  
```

Max Filter Tape Counter

The Maximum Filter Tape Counter screen is used to change the maximum filter tape counter alarm limit (480 = 90% usage, 10% remaining).

- In the Main Menu, choose Alarms > Instrument Alarms > Filter Tape Counter > **Max**.



Detector Alarms

The Detector Alarms submenu allows the user to view a set of alarms for detector boards. Board status indicates that the power supplies are working and connections are successful. There are no setting screens for this alarm.

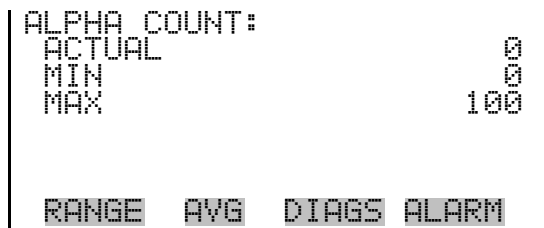
- In the Main Menu, choose Alarms > **Detector Alarms**.



Min and Max Alpha Alarms

The Alpha Alarms screen allows the user to view the minimum and maximum alarm parameters. Acceptable alarm limits range from 0 to 100. If the alpha count reading goes beyond the maximum limit, an alarm is activated and the alarm (bell) icon appears in the status bar on the Run screen and in the Main Menu.

- In the Main Menu, choose Alarms > Detector Alarms > **Alpha**.



Min and Max Beta Alarms

The Beta Alarms screen allows the user to view the minimum and maximum alarm parameters. Acceptable alarm limits range from 5000 to 20000. If the beta count reading goes beyond the maximum limit, an alarm is activated and the alarm (bell) icon appears in the status bar on the Run screen and in the Main Menu.

- In the Main Menu, choose Alarms > Detector Alarms > **Beta**.


```

BETA COUNT:
ACTUAL                0
MIN                   5000
MAX                   20000

RANGE  AVG  DIAGS  ALARM
  
```

RH/Temperature Alarms

The RH/Temperature Alarms submenu allows the user to view and set the relative humidity or temperature alarm parameters.

- In the Main Menu, choose Alarms > **RH/Temperature Alarms**.

```

RH/TEMPERATURE ALARMS:
>AMBIENT RH          OK
SAMPLE RH            OK
AMBIENT TEMP         OK
FLOW TEMP            OK
BOARD TEMP           OK↓

RANGE  AVG  DIAGS  ALARM
  
```

Ambient RH

The Ambient RH screen displays the current ambient relative humidity value and sets the minimum and maximum alarm limits. Acceptable alarm limits range from 5 to 95%. If the ambient RH reading goes beyond the minimum or maximum limit, an alarm is activated and the alarm (bell) icon appears in the status bar on the Run screen and in the Main Menu.

- In the Main Menu, choose Alarms > RH/Temperature Alarms > **Ambient RH**.

```

AMBIENT RH:
ACTUAL                27.4  %
>MIN                  5.0  %
MAX                  95.0  %

RANGE  AVG  DIAGS  ALARM
  
```

Min and Max Ambient RH Limits

The Minimum Ambient RH alarm limit screen is used to change the minimum ambient RH alarm limit. The minimum and maximum ambient RH screens function the same way.

- In the Main Menu, choose Alarms > RH/Temperature Alarms > Ambient RH > **Min** or **Max**.

```
RELATIVE HUMIDITY:
ACTUAL MIN:      5.0 %
SET MIN TO:     5.5 %?

      ↑↓ INC/DEC
      ← SAVE VALUE

RANGE  AVG  DIAGS  ALARM
```

Sample RH

The Sample RH screen displays the current sample relative humidity value and sets the minimum and maximum alarm limits. Acceptable alarm limits range from 5 to 95%. If the sample RH reading goes beyond the minimum or maximum limit, an alarm is activated and the alarm (bell) icon appears in the status bar on the Run screen and in the Main Menu.

- In the Main Menu, choose Alarms > RH/Temperature Alarms > **Sample RH**.

```
SAMPLE RH:
ACTUAL      0.0 %
>MIN       5.0 %
MAX       95.0 %

RANGE  AVG  DIAGS  ALARM
```

Min and Max Sample RH Limits

The Minimum Sample RH alarm limit screen is used to change the minimum ambient RH alarm limit. The minimum and maximum sample RH screens function the same way.

- In the Main Menu, choose Alarms > RH/Temperature Alarms > Sample RH > **Min** or **Max**.

```
SAMPLE RH:
ACTUAL MIN:      5.0 %
SET MIN TO:     35 %?

      ↑↓ INC/DEC
      ← SAVE VALUE

RANGE  AVG  DIAGS  ALARM
```

Ambient Temperature

The Ambient Temperature screen displays the current ambient temperature value and sets the minimum and maximum alarm limits. Acceptable alarm limits range from -30 °C to 60 °C. If the ambient temperature reading goes beyond the minimum or maximum limit, an alarm is activated and the alarm (bell) icon appears in the status bar on the Run screen and in the Main Menu.

- In the Main Menu, choose Alarms > RH/Temperature Alarms > **Ambient Temp.**

```

AMBIENT TEMP:
ACTUAL          -30.0 °C
>MIN            -30.0 °C
MAX             60.0 °C

RANGE  AVG  DIAGS  ALARM
  
```

Min and Max Ambient Temperature Limits

The Minimum Ambient Temperature alarm limit screen is used to change the minimum ambient temperature alarm limit. The minimum and maximum ambient temperature screens function the same way.

- In the Main Menu, choose Alarms > RH/Temperature Alarms > Ambient Temp > **Min** or **Max**.

```

AMBIENT TEMPERATURE:
ACTUAL MIN:      -30.0 °C
SET MIN TO:     -20.0 °C?

      ↑↓ INC/DEC
      ← SAVE VALUE

RANGE  AVG  DIAGS  ALARM
  
```

Flow Temperature

The Flow Temperature screen displays the current ambient temperature value and sets the minimum and maximum alarm limits. Acceptable alarm limits range from 5 to 60 °C. If the flow temperature reading goes beyond the minimum or maximum limit, an alarm is activated and the alarm (bell) icon appears in the status bar on the Run screen and in the Main Menu.

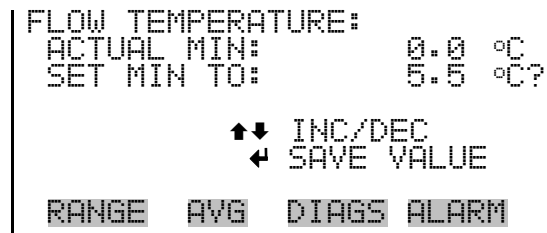
- In the Main Menu, choose Alarms > RH/Temperature Alarms > **Flow Temp.**



Min and Max Flow Temperature Limits

The Minimum Flow Temperature alarm limit screen is used to change the minimum flow temperature alarm limit. The minimum and maximum flow temperature screens function the same way.

- In the Main Menu, choose Alarms > RH/Temperature Alarms > Flow Temp > **Min** or **Max**.



Board Temperature

The Board Temperature screen displays the current board temperature value and sets the minimum and maximum alarm limits. Acceptable alarm limits range from 5 to 60 °C. If the board temperature reading goes beyond the minimum or maximum limit, an alarm is activated and the alarm (bell) icon appears in the status bar on the Run screen and in the Main Menu.

- In the Main Menu, choose Alarms > RH/Temperature Alarms > **Board Temp**.



Min and Max Board Temperature Limits

The Minimum Board Temperature alarm limit screen is used to change the minimum board temperature alarm limit. The minimum and maximum board temperature screens function the same way.

- In the Main Menu, choose Alarms > RH/Temperature Alarms > Board Temp > **Min** or **Max**.

```

BOARD TEMPERATURE:
ACTUAL MIN:      5.0 °C
SET MIN TO:     0.0 °C?

      ↑↓ INC/DEC
      ← SAVE VALUE

RANGE  AVG  DIAGS  ALARM
  
```

Pressure/Vacuum Alarms

The Pressure/Vacuum Alarms submenu allows the user to view and set the pressure alarm parameters.

- In the Main Menu, choose Alarms > **Pressure/Vacuum Alarms**.

```

PRESSURE/VACUUM ALARMS:
>BARO PRES      OK
VACUUM          OK
FLOW            OK

RANGE  AVG  DIAGS  ALARM
  
```

Barometric Pressure

The Barometric Pressure screen displays the current pressure reading and sets the minimum and maximum alarm limits. Acceptable alarm limits range from 400 to 800 mmHg. If the barometric pressure reading goes beyond the minimum or maximum limit, an alarm is activated and the alarm (bell) icon appears in the status bar on the Run screen and in the Main Menu.

- In the Main Menu, choose Alarms > Pressure/Vacuum Alarms > **Baro Pres**.

```

BAROMETRIC PRESSURE:
ACTUAL      764.0 mmHg
>MIN        400.0 mmHg
MAX         800.0 mmHg

RANGE  AVG  DIAGS  ALARM
  
```

Min and Max Barometric Pressure Limits

The Minimum Barometric Pressure alarm limit screen is used to change the minimum barometric pressure alarm limit. The minimum and maximum barometric pressure screens function the same way.

- In the Main Menu, choose Alarms > Pressure/Vacuum Alarms > Baro Pres > **Min** or **Max**.

```
BAROMETRIC PRESSURE:
ACTUAL MIN: 400.0 mmHg
SET MIN TO: 400.1 mmHg?

      ↑↓ INC/DEC
      ← SAVE VALUE

RANGE  AVG  DIAGS  ALARM
```

Vacuum

The Vacuum screen displays the current vacuum reading and sets the minimum and maximum alarm limits. Acceptable alarm limits range from -5 mmHg to 250 mmHg. If the vacuum reading goes beyond the minimum or maximum limit, an alarm is activated and the alarm (bell) icon appears in the status bar on the Run screen and in the Main Menu.

- In the Main Menu, choose Alarms > Pressure/Vacuum Alarms > **Vacuum**.

```
VACUUM:
ACTUAL          60.8 mmHg
>MIN           -5.0 mmHg
MAX           250.0 mmHg

RANGE  AVG  DIAGS  ALARM
```

Min and Max Vacuum Limits

The Minimum Vacuum alarm limit screen is used to change the minimum vacuum alarm limit. The minimum and maximum vacuum screens function the same way.

Note The maximum vacuum value should not be changes, as this is also used as a protective feature for the instrument. ▲

- In the Main Menu, choose Alarms > Pressure/Vacuum Alarms > Vacuum > **Min** or **Max**.

```

VACUUM:
ACTUAL MIN:      -5.0 mmHg
SET MIN TO:     -4.9 mmHg?

      ↑↓ INC/DEC
      ← SAVE VALUE

RANGE  AVG  DIAGS  ALARM
  
```

Flow The Flow screen displays the current flow reading and sets the minimum and maximum alarm limits. Acceptable alarm limits range from -5 mmHg to 40 mmHg. If the flow reading goes beyond the minimum or maximum limit, an alarm is activated and the alarm (bell) icon appears in the status bar on the Run screen and in the Main Menu.

- In the Main Menu, choose Alarms > Pressure/Vacuum Alarms > **Flow**.

```

FLOW:
ACTUAL          23.1 mmHg
>MIN           -5.0 mmHg
MAX            40.0 mmHg

RANGE  AVG  DIAGS  ALARM
  
```

Min and Max Flow Limits

The Minimum Flow alarm limit screen is used to change the minimum flow alarm limit. The minimum and maximum flow screens function the same way.

- In the Main Menu, choose Alarms > Pressure/Vacuum Alarms > Flow > **Min** or **Max**.

```

FLOW PRESSURE:
ACTUAL MIN:      -5.0 mmHg
SET MIN TO:     -4.9 mmHg?

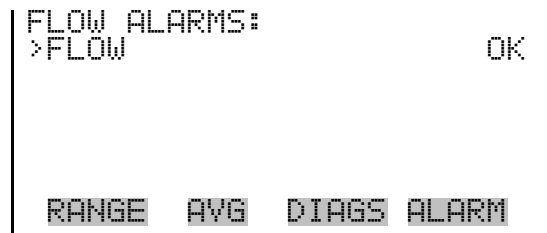
      ↑↓ INC/DEC
      ← SAVE VALUE

RANGE  AVG  DIAGS  ALARM
  
```

Flow Alarms

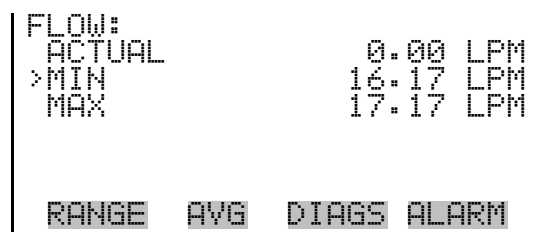
The Flow Alarms submenu allows the user to view and set the flow alarm parameters.

- In the Main Menu, choose Alarms > **Flow Alarms**.



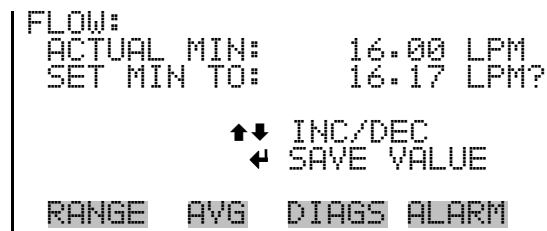
Flow The Flow screen displays the current flow and sets the minimum and maximum alarm limits. Acceptable alarm limits range from 16.00 to 17.34 LPM. If the flow reading goes beyond the minimum or maximum limit, an alarm is activated and the alarm (bell) icon appears in the status bar on the Run screen and in the Main Menu.

- In the Main Menu, choose Alarms > Flow Alarms > **Flow**.



Min and Max Flow Limits The Minimum Flow alarm limit screen is used to change the minimum flow alarm limit. The minimum and maximum flow screens function the same way.

- In the Main Menu, choose Alarms > Flow Alarms > Flow > **Min** or **Max**.



Concentration Alarms The Concentration Alarms submenu allows the user to view and set the 24-hour average PM and instant PM concentration alarm parameters.

- In the Main Menu, choose Alarms > **Conc Alarms**.


```

CONC ALARMS:
>AVG PM           OK
INST PM           OK

RANGE  AVG  DIAGS  ALARM
  
```

Average PM

The Average PM screen displays the current average PM concentration and sets the minimum and maximum alarm limits. Acceptable alarm limits range from 0 to 10000 $\mu\text{g}/\text{m}^3$ or 0 to 10 mg/m^3 . If the average PM concentration goes beyond either the minimum or maximum limit, an alarm is activated and the alarm (bell) icon appears in the status bar on the Run screen and in the Main Menu.

- In the Main Menu, choose Alarms > Conc Alarms > **Avg PM**.

```

AVERAGE PM CONC:
ACTUAL           0.0
>MIN            0.0
MAX            10000

RANGE  AVG  DIAGS  ALARM
  
```

Min and Max Average PM Concentration Limits

The Minimum Average PM Concentration alarm limit screen is used to change the minimum average PM concentration alarm limit. The minimum and maximum average PM concentration screens function the same way.

- In the Main Menu, choose Alarms > Conc Alarms > Avg PM > **Min** or **Max**.

```

AVERAGE PM CONC:
ACT MIN:        0.0
SET MIN:        10.0 ?

      ↔ MOVE CURSOR
↑↓ CHANGE VALUE  ← SAVE

RANGE  AVG  DIAGS  ALARM
  
```

Instant PM

The Instant PM screen displays the current instant PM concentration and sets the minimum and maximum alarm limits. Acceptable alarm limits

range from -10 to 10000 $\mu\text{g}/\text{m}^3$ or -.01 to 10 mg/m^3 . If the instant PM concentration goes beyond either the minimum or maximum limit, an alarm is activated and the alarm (bell) icon appears in the status bar on the Run screen and in the Main Menu.

- In the Main Menu, choose Alarms > Conc Alarms > **Inst PM**.

```
INSTANT PM CONC:
ACTUAL           0.0
>MIN            -10.0
MAX            10000

RANGE  AVG  DIAGS  ALARM
```

Min and Max Instant PM Concentration Limits

The Minimum Instant PM Concentration alarm limit screen is used to change the minimum instant PM concentration alarm limit. The minimum and maximum instant PM concentration screens function the same way.

- In the Main Menu, choose Alarms > Conc Alarms > Inst PM > **Min** or **Max**.

```
INSTANT PM CONC:
ACT MIN:           0.0
SET MIN:          -10.0 ?

      ←→ MOVE CURSOR
↑↓ CHANGE VALUE  ← SAVE

RANGE  AVG  DIAGS  ALARM
```

Service Menu

The Service menu appears only when the instrument is in the service mode. When the service mode is active, the service (wrench) icon is displayed on the right side of the status bar. To put the instrument into the service mode:

- In the Main Menu, choose Instrument Controls > **Service Mode**.

Advanced diagnostic functions are included in the service mode. Meaningful data should not be collected when the instrument is in the service mode.

- In the Main Menu, choose **Service**.

```

SERVICE:
>RH/TEMP CALIBRATION
PRES/VACUUM CALIBRATION
FLOW CALIBRATION
MASS CALIBRATION
DETECTOR CALIBRATION
↓
RANGE  AVG  DIAGS  ALARM

ANALOG OUT CALIBRATION
ANALOG INPUT CALIBRATION
DISPLAY PIXEL TEST
RESTORE USER DEFAULTS
RESTORE FACTORY DEFAULTS
  
```

RH/Temperature Calibration

The RH/Temperature Calibration submenu allows the user to view and set the relative humidity and temperature sensor calibration. The RH/temperature calibration submenu is visible only when the instrument is in service mode. For more information on the service mode, see “[Service Mode](#)” earlier in this chapter.

Note This adjustment should only be performed by an instrument service technician. ▲

- In the Main Menu, choose Service > **RH/Temp Calibration**.

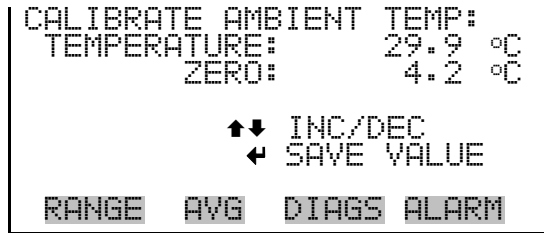
```

RH/TEMP CALIBRATION:
>AMBIENT TEMP      4.2 °C
FLOW TEMP          0.8 °C
AMBIENT RH         0.0 %
RANGE  AVG  DIAGS  ALARM
  
```

Ambient Temperature

The Ambient Temperature screen allows the user to view and calibrate ambient temperature. Adjust the zero offset until the ambient temperature agrees with your traceable standard.

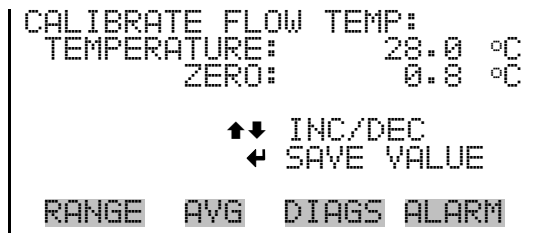
- In the Main Menu, choose Service > RH/Temp Calibration > **Ambient Temp**.



Flow Temperature

The Flow Temperature screen allows the user to view and calibrate flow temperature. Be sure to have the cover removed and equilibrated to room temperature.

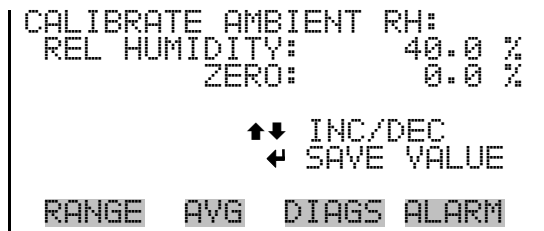
- In the Main Menu, choose Service > RH/Temp Calibration > Flow Temp.



Ambient Relative Humidity

The Ambient Relative Humidity screen allows the user to view and calibrate relative humidity. Adjust the zero offset until the RH agrees with your traceable standard.

- In the Main Menu, choose Service > RH/Temp Calibration > Ambient RH.



Pressure/Vacuum Calibration

The Pressure/Vacuum Calibration submenu allows the user to view and calibrate the pressure sensor and vacuum flow sensor. The pressure/vacuum calibration submenu is visible only when the instrument is in service mode. For more information on the service mode, see “Service Mode” earlier in this chapter.

Note This adjustment should only be performed by an instrument service technician. ▲

- In the Main Menu, choose Service > **Pres/Vacuum Calibration**.

```
PRES/VACUUM CALIBRATION:
>BARO PRES
VAC/FLOW

RANGE  AVG  DIAGS  ALARM
```

Barometer Pressure Calibration

The Barometer Pressure Calibration submenu is used to calibrate the barometer pressure span or reset default values.

- In the Main Menu, choose Service > Pres/Vacuum Calibration > **Baro Pres**.

```
BARO PRES CALIBRATION:
>SPAN 1.0000
SET DEFAULTS

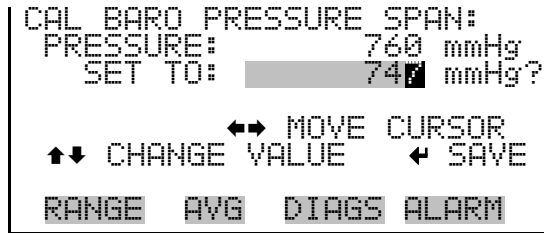
RANGE  AVG  DIAGS  ALARM
```

Calibrate Barometer Pressure Span

The Calibrate Barometer Pressure Span screen allows the user to view and pressure sensor calibration span point.

Note The operator should use an independent barometer to measure the ambient pressure and enter the value on this screen before calibrating. ▲

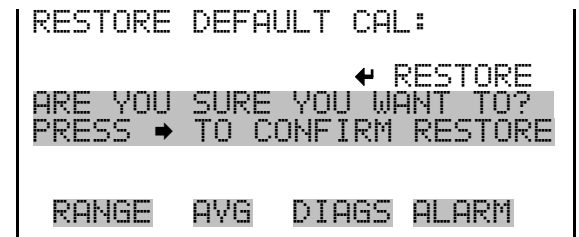
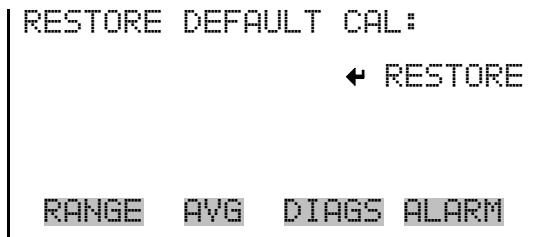
- In the Main Menu, choose Service > Pres/Vacuum Calibration > Baro Pres Calibration > **Span**.



Restore Default Calibration

The Restore Default Calibration screen allows the user to reset the default values.

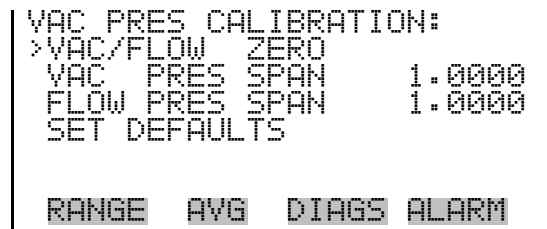
- In the Main Menu, choose Service > Pres/Vacuum Calibration > Baro Pres Calibration > **Set Defaults**.



Vacuum/Flow Calibration

The Vacuum/Flow Calibration submenu is used to calibrate the vacuum/flow zero, vacuum/flow span, or reset default values.

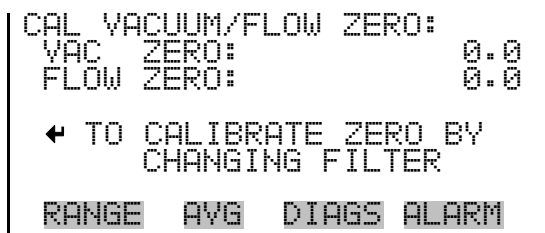
- In the Main Menu, choose Service > Pres/Vacuum Calibration > **Vac/Flow**.



Calibrate Vacuum/Flow Zero

The Calibrate Vacuum/Flow Zero screen calibrates the vacuum/flow sensor at zero value.

- In the Main Menu, choose Service > Pres/Vacuum Calibration > Vac/Flow > **Vac/Flow Zero**.

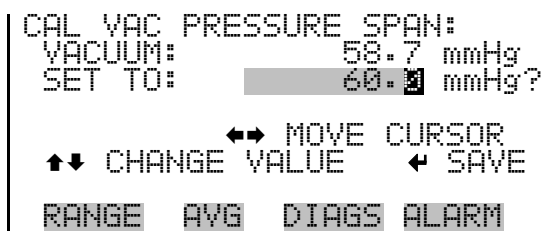


Calibrate Vacuum Pressure Span

The Calibrate Vacuum Pressure Span screen allows the user to view and set the flow sensor calibration span point.

Note The operator should use an independent manometer capable of measuring approximately 100 mmHg of vacuum. Measure the vacuum under the filter tape from the positive ΔP port on the rear panel of the instrument and enter the value on this screen before calibrating. ▲

- In the Main Menu, choose Service > Pres/Vacuum Calibration > Vac/Flow > **Vac Pres Span**.

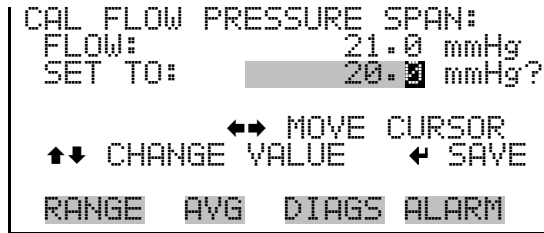


Calibrate Flow Pressure Span

The Flow Pressure Span screen allows the user to view and set the flow sensor calibration span point.

Note The operator should use an independent manometer, capable of 30 mmHg ΔP , to measure the differential pressure across the orifice using the positive and negative ΔP ports on the rear panel, and enter the value on this screen before calibrating. ▲

- In the Main Menu, choose Service > Pres/Vacuum Calibration > Vac/Flow > **Flow Pres Span**.

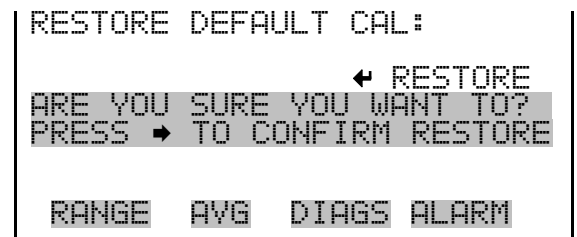
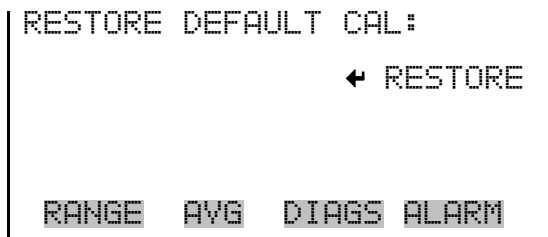


Restore Default Calibration

The Restore Default Calibration screen allows the user to reset the default values.

Note Be sure to close the toggle switch after calibration is complete. ▲

- In the Main Menu, choose Service > Pres/Vacuum Calibration > Vac/Flow > Set Defaults.

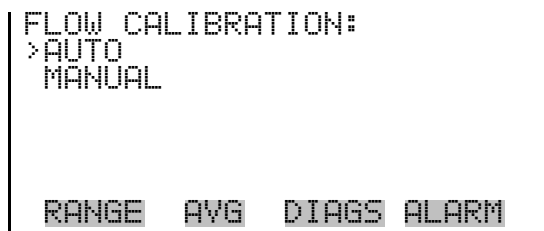


Flow Calibration

The Flow Calibration submenu is used to view and set the flow calibration flow point. The flow calibration screen is visible only when the instrument is in service mode. For more information on the service mode, see “[Service Mode](#)” earlier in the chapter.

Note This adjustment should only be performed by an instrument service technician. ▲

- In the Main Menu, choose Service > **Flow Calibration**.



Auto Flow Calibration

The Auto Flow Calibration screen allows the user to view and set the correct flow rate. The span value is automatically calculated.

- In the Main Menu, choose Service > Flow Calibration > **Auto**.

```

FLOW AUTO CALIBRATION:
FLOW:          16.67 LPM
SET TO:        17.25 LPM?

      ←→ MOVE CURSOR
↑↓ CHANGE VALUE  ← SAVE

RANGE  AVG  DIAGS  ALARM
  
```

Manual Flow Calibration

The Manual Flow Calibration screen allows the user to view and incrementally set the flow sensor calibration span factor.

- In the Main Menu, choose Service > Flow Calibration > **Manual**.

```

FLOW MANUAL CALIBRATION:
FLOW:          16.67
SPAN:          0.750 ?

      ↑↓ INC/DEC
      ← SAVE VALUE

RANGE  AVG  DIAGS  ALARM
  
```

Mass Calibration

The Mass Calibration submenu is used to view and set the mass calibration point. The mass calibration screen is visible only when the instrument is in service mode. For more information on the service mode, see “[Service Mode](#)” earlier in the chapter.

Note This adjustment should only be performed by an instrument service technician. ▲

- In the Main Menu, choose Service > **Mass Calibration**.

```
MASS CALIBRATION:
>THERMAL COEFFICIENT
VACUUM COEFFICIENT
BARO COEFFICIENT
MASS COEFFICIENT
ALPHA EFF COEFFICIENT

RANGE  AVG  DIAGS  ALARM
```

Thermal Mass Coefficient

The Thermal Mass Coefficient screen allows the user to view and set the thermal coefficient using manual calibration mode.

- In the Main Menu, choose Service > Mass Calibration > **Thermal Coefficient**.

```
THERMAL MASS COEFFICIENT:
CURRENTLY: 0.000000
SET TO: 0019.00 ?

      ↔ MOVE CURSOR
↑↓ CHANGE VALUE  ← SAVE

RANGE  AVG  DIAGS  ALARM
```

Vacuum Mass Coefficient

The Vacuum Mass coefficient screen allows the user to view and set the vacuum coefficient using manual calibration mode.

- In the Main Menu, choose Service > Mass Calibration > **Vacuum Coefficient**.

```
VACUUM MASS COEFFICIENT:
CURRENTLY: 0.000000
SET TO: 0002.00 ?

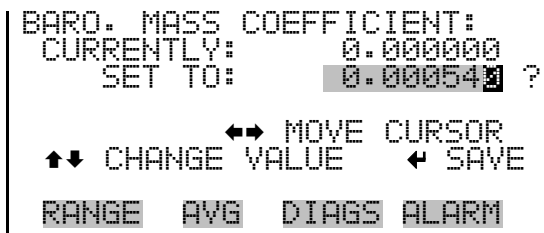
      ↔ MOVE CURSOR
↑↓ CHANGE VALUE  ← SAVE

RANGE  AVG  DIAGS  ALARM
```

Barometer Mass Coefficient

The Barometer Mass Coefficient screen allows the user to view and set the barometer coefficient using manual calibration mode.

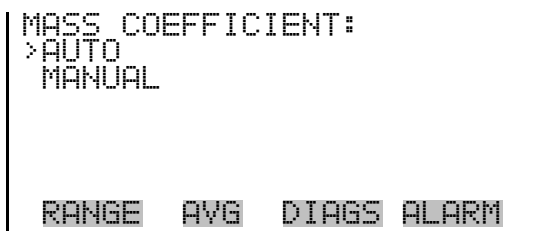
- In the Main Menu, choose Service > Mass Calibration > **Baro Coefficient**.



Mass Coefficient


The Mass Coefficient submenu allows the user to view and set the mass coefficient using manual or auto mode.

- In the Main Menu, choose Service > Mass Calibration > **Mass Coefficient**.

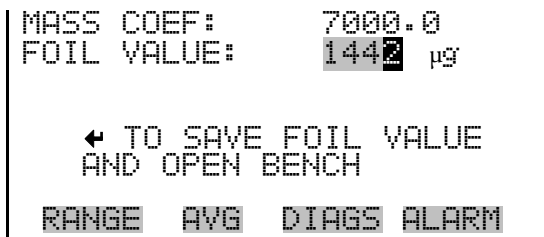


Auto Mass Coefficient

The Auto Mass Coefficient screen allows the user to conduct a mass foil calibration.

Note After pressing  a series of screens will walk you through the mass foil calibration procedure. For details, see “Auto Mass Coefficient” on page 4-9. ▲

- In the Main Menu, choose Service > Mass Calibration > Mass > **Auto**.



Manual Mass Coefficient

The Manual Mass Coefficient screen allows the user to adjust the mass coefficient used in beta attenuation.

- In the Main Menu, choose Service > Mass Calibration > Mass > **Manual**.

```
MASS COEFFICIENT:
CURRENTLY:      7000
SET TO:        699 ?
                ▲
                ◀
                ▶
                ▼
      ◀▶ MOVE CURSOR
    ▲▼ CHANGE VALUE  ◀ SAVE
RANGE  AVG  DIAGS  ALARM
```

Alpha Efficiency Coefficient

The Alpha Efficiency Coefficient screen allows the user to view and set the alpha efficiency value.

Note This value is set in the factory and should not be adjusted. ▲

- In the Main Menu, choose Service > Mass Calibration > **Alpha Eff Coefficient**.

```
ALPHA EFFICIENCY COEF:
CURRENTLY:      0.120000
SET TO:        0.12000 ?
                ▲
                ◀
                ▶
                ▼
      ◀▶ MOVE CURSOR
    ▲▼ CHANGE VALUE  ◀ SAVE
RANGE  AVG  DIAGS  ALARM
```

Detector Calibration

The Detector Calibration submenu is used to view and set the detector calibration. The detector calibration screen is visible only when the instrument is in service mode. For more information on the service mode, see “[Service Mode](#)” earlier in the chapter.

Note This adjustment should only be performed by an instrument service technician on a defined service interval and at least once per year, or if the detector is replaced. ▲

- In the Main Menu, choose Service > **Detector Calibration**.

```

DETECTOR CALIBRATION:
>AUTO
  MANUAL

RANGE  AVG  DIAGS  ALARM
  
```

Auto Detector Calibration

The Auto Detector Calibration screen allows the user to conduct a detector optimization routine that will establish the optimal plateau for detector performance. This process takes approximately 30 minutes and will set a high voltage and thresholds for alpha and beta reference counts.

- In the Main Menu, choose Service > Detector Calibration > **Auto**.

```

DETECTOR AUTO CAL:
HIGH VOLT:      1500 V
BETA CNT :      14649 1/sec

PRESS ← TO START AUTO CAL

RANGE  AVG  DIAGS  ALARM
  
```

Manual Detector Calibration

The Mass Coefficient submenu allows the user to perform a mass foil calibration using a zero (null) and span foil set.

- In the Main Menu, choose Service > Detector Calibration > **Manual**.

```

DETECTOR MANUAL CAL:
>BETA/REF/ALPHA COUNTS
HIGH VOLTAGE
BETA REF THRESHOLD
ALPHA THRESHOLD

RANGE  AVG  DIAGS  ALARM
  
```

Beta/Ref/Alpha Counts

The Beta/Ref/Alpha Counts screen allows the user to view the real-time alpha and beta counts.

- In the Main Menu, choose Service > Detector Calibration > Manual > **Beta/Ref/Alpha Counts**.

```
COUNTS:
alpha      0 1/sec
beta      10212 1/sec
beta corr 10145 1/sec
beta ref   5200 1/sec

RANGE  AVG  DIAGS  ALARM
```

High Voltage

The High Voltage screen allows the user to view and set the high voltage value.

- In the Main Menu, choose Service > Detector Calibration > Manual > **High Voltage**.

```
HIGH VOLTAGE:
CURRENTLY:    1500 V
SET TO:       1501 V?

  ↑↓ INC/DEC
  ← SAVE VALUE

RANGE  AVG  DIAGS  ALARM
```

Beta Ref Threshold

The Beta Ref Threshold screen allows the user to view and set the detector operating voltage manually.

- In the Main Menu, choose Service > Detector Calibration > Manual > **Beta Ref Threshold**.

```
REF BETA THRESHOLD:
CURRENTLY:    500
SET TO:       501 ?

  ↑↓ INC/DEC
  ← SAVE VALUE

RANGE  AVG  DIAGS  ALARM
```

Alpha Threshold

The Alpha Threshold screen allows the user to view and set the alpha threshold manually.

- In the Main Menu, choose Service > Detector Calibration > Manual > **Alpha Threshold**.

```

ALPHA THRESHOLD:
CURRENTLY:      1500
SET TO:        1501 ?

      ↑↓ INC/DEC
      ← SAVE VALUE

RANGE  AVG  DIAGS  ALARM
  
```

Analog Output Calibration

The Analog Output Calibration menu provides access to the 6 voltage channels and 6 current channels for calibration. Current channels are visible only if the I/O expansion board is installed. The analog output calibration menu is visible only when the instrument is in service mode. For more information on the service mode, see “[Service Mode](#)” earlier in this chapter.

Note This adjustment should only be performed by an instrument service technician. ▲

- In the Main Menu, choose Service > **Analog Out Calibration**.

```

ANALOG OUTPUT CAL:
>VOLTAGE CHANNEL 1
VOLTAGE CHANNEL 2
VOLTAGE CHANNEL 3
VOLTAGE CHANNEL 4
VOLTAGE CHANNEL 5      ↓

RANGE  AVG  DIAGS  ALARM
  
```

```

ANALOG OUTPUT CAL:
>CALIBRATE ZERO
CALIBRATE FULL SCALE

RANGE  AVG  DIAGS  ALARM
  
```

Analog Output Calibrate Zero

The Analog Output Calibrate Zero screen allows the user to calibrate the zero state of the selected analog output. The operator must connect a volt meter to the output and adjust the output until it reads 0.0 V on the meter for a voltage channel, or either 0 or 4 mA for a current channel (depending on the selected range). See the “set output to:” field on the display.

- In the Main Menu, choose Service > Analog Out Cal > select Channel > **Calibrate Zero**.

```
ANALOG OUTPUT CAL: ZERO
CONNECT METER TO OUTPUT!
SELECTED OUTPUT: V1
SET TO: 100
← SAVE VALUE ↑↓ INC/DEC
SET OUTPUT TO: 0.0 V

RANGE  AVG  DIAGS  ALARM
```

Analog Output Calibrate Full-Scale

The Analog Output Calibrate Full-Scale screen allows the user to calibrate the full-scale state of the selected analog output. The operator must connect a volt meter to the output and adjust the output until the meter reads the value shown in the “set output to:” field, in either V or mA, depending on the selected output channel.

- In the Main Menu, choose Service > Analog Out Cal > select Channel > **Calibrate Full Scale**.

```
ANALOG OUTPUT CAL: SPAN
CONNECT METER TO OUTPUT!
SELECTED OUTPUT: V1
SET TO: 3397
← SAVE VALUE ↑↓ INC/DEC
SET OUTPUT TO: 10 V

RANGE  AVG  DIAGS  ALARM
```

Analog Input Calibration

The Analog Input Calibration menu is used to calibrate the 8 analog input channels at both zero and full-scale. The analog input calibration menu is visible only when the I/O expansion board is installed and when the instrument is in service mode. For more information on the service mode, see “[Service Mode](#)” earlier in this chapter.

Note This adjustment should only be performed by an instrument service technician. ▲

- In the Main Menu, choose Service > **Analog Input Calibration**.


```

ANALOG INPUT CAL:
>INPUT CHANNEL 1
  INPUT CHANNEL 2
  INPUT CHANNEL 3
  INPUT CHANNEL 4
  INPUT CHANNEL 5
                                     ↓
RANGE  AVG  DIAGS  ALARM
  
```

```

ANALOG INPUT CAL:
>CALIBRATE ZERO
  CALIBRATE FULL SCALE
                                     ↓
RANGE  AVG  DIAGS  ALARM
  
```

Analog Input Calibrate Zero

The Analog Input Calibrate Zero screen allows the user to calibrate the zero state of the selected analog input.

- In the Main Menu, choose Service > Analog Input Cal > select Channel > **Calibrate Zero**.

```

ANALOG INPUT CAL:    ZERO
DISCONNECT SELECTED INPUT!
SELECTED INPUT:      INPUT 1
CURRENTLY:            0.04 V
← CALIBRATE INPUT TO ZERO
RANGE  AVG  DIAGS  ALARM
  
```

Analog Input Calibrate Full-Scale

The Analog Input Calibrate Full-Scale screen allows the user to calibrate the full-scale state of the selected analog input.

- In the Main Menu, choose Service > Analog Input Cal > select Channel > **Calibrate Full Scale**. (Hook up a voltage source of 10 V to the analog input channel.)

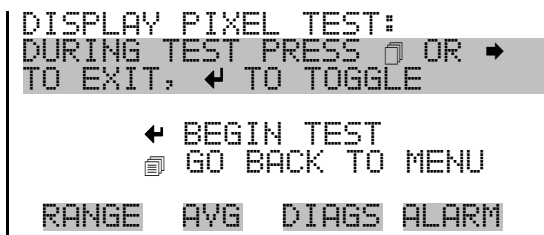
```

ANALOG INPUT CAL:    SPAN
PROVIDE VOLTAGE TO INPUT!
SELECTED INPUT:      INPUT 1
CURRENTLY:            9.84 V
SET TO:               10.00 V
← CALIBRATE TO VALUE
RANGE  AVG  DIAGS  ALARM
  
```

Display Pixel Test

The Display Pixel Test screen is used to test the LCD display, by toggling between all pixels on and all pixels off to ensure that they are functioning properly. The display pixel test screen is visible only when the instrument is in service mode. For more information on the service mode, see “[Service Mode](#)” earlier in this chapter.

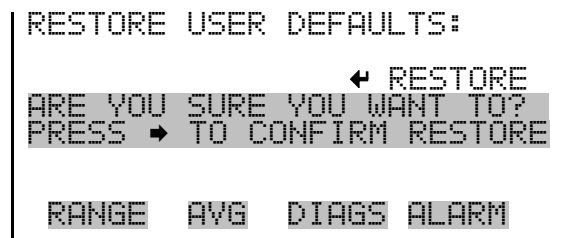
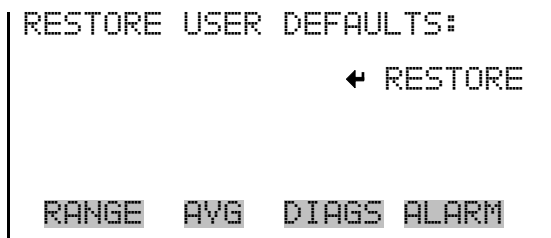
- In the Main Menu, choose Service > **Display Pixel Test**.



Restore User Defaults

The Restore User Defaults screen is used to reset the user calibration and configuration values to factory defaults. The restore user defaults screen is visible only when the instrument is in service mode. For more information on the service mode, see “[Service Mode](#)” earlier in this chapter.

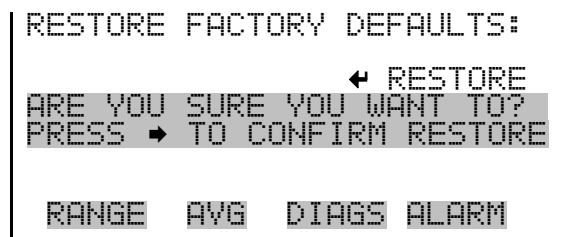
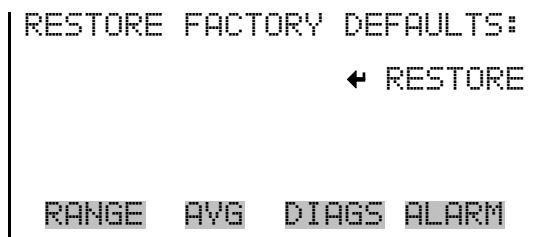
- In the Main Menu, choose Service > **Restore User Defaults**.



Restore Factory Defaults

The Restore User Defaults screen is used to reset the user calibration and configuration values to factory defaults. The restore user defaults screen is visible only when the instrument is in service mode. For more information on the service mode, see “[Service Mode](#)” earlier in this chapter.

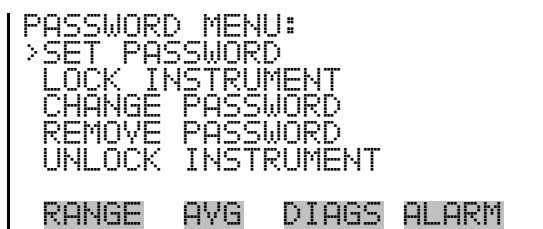
- In the Main Menu, choose Service > **Restore User Defaults**.



Password Menu

The Password menu allows the user to configure password protection. If the instrument is “locked”, none of the settings may be changed via the front panel user interface, but they can still be changed via remote operation. When the front panel is locked, the user can still navigate the menu and view data, instrument parameters, and settings, but nothing can be changed. The password (lock) icon on the right side of the status bar indicates that the password lock is active. The items visible under the Password menu are determined by the instrument’s password status.

- In the Main Menu, choose **Password**.



Set Password

The Set Password screen is used to set the password that is used to unlock the front panel, and is shown if the instrument is unlocked and the password is not set.

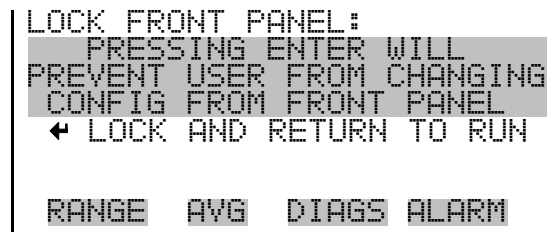
- In the Main Menu, choose Password > **Set Password**



Lock Instrument

The Lock Instrument screen is used to lock the instrument's front panel so users cannot change any settings from the front panel. The lock instrument screen is shown if the instrument is unlocked and the password is set.

- In the Main Menu, choose Password > **Lock Instrument**



```
LOCK FRONT PANEL:
PRESSING ENTER WILL
PREVENT USER FROM CHANGING
CONFIG FROM FRONT PANEL
← LOCK AND RETURN TO RUN

RANGE  AVG  DIAGS  ALARM
```

Lock/Unlock and Local/Remote Operation

If the instrument is locked via the front panel using Password > **Lock Instrument**, the instrument reports being in Remote mode. In this mode, the front panel is “locked”, where data can be viewed, settings can be viewed but not changed using the front panel interface, and the remote “Set” commands are active.

If the instrument keyboard is unlocked via the front panel using Password > **Unlock Instrument**, the instrument reports being in Local mode, the front panel interface is unlocked, and settings can be changed from the front panel.

Refer to “[C-Link Protocol Commands](#)” appendix for detailed information about “mode”, “allow mode”, and “power up mode” commands.

Change Password

The Change Password screen is used to change the password used to unlock the instrument's front panel. The change password screen is shown if the instrument is unlocked.

- In the Main Menu, choose Password > **Change Password**



```
ENTER NEW PASSWORD:
█
BCDEFGHIJKLMN  BKSP
OPQRSTUVWXYZ   PAGE
0123456789 ./-  SAVE

RANGE  AVG  DIAGS  ALARM
```

Remove Password

The Remove Password screen is used to erase the current password and disable password protection. The remove password screen is shown if the instrument is unlocked and the password is set.

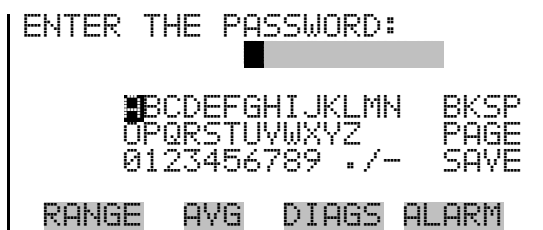
- In the Main Menu, choose Password > **Remove Password**



Unlock Instrument

The Unlock Instrument screen is used to enter the password to unlock the front panel. The unlock instrument screen is shown if the instrument is locked.

- In the Main Menu, choose Password > **Unlock Instrument**



Chapter 4

Calibration

The Model 5014*i* is an instrument that can make accurate mass concentration measurements of PM₁₀, PM_{2.5} and PM_{1.0}. However, with all electronic instruments, the accuracy of the measurements depends on proper calibration.

In general terms, calibration, also called standardization, is the process that establishes the relationship between sensor output signals and the parameter the operator is attempting to measure. The 5014*i* instrument uses sensors that measure temperature, humidity, pressure, and radiation. This chapter describes the procedures for performing the necessary sensor calibrations. This chapter is also a follow-up to the Acceptance Testing outlined in the “[Installation](#)” chapter and a continuation of the menu display descriptions in the “[Operation](#)” chapter.

Frequency of Calibration

Each instrument is calibrated and tested for accuracy at the factory. The mass calibration is conducted with a set of NIST-traceable mass calibration foils. The radiation detector is calibrated against certified check sources for beta and alpha emissions. The temperature, relative humidity, pressure and flow rate are all calibrated against NIST traceable standards.

It is recommended that the instrument be calibrated once per year and encounter quality checks on a periodic basis in accordance with the users specific quality assurance project plan. For example, volumetric flow checks on a two-week basis are common in some air monitoring agencies and with full-scale quarterly audits for flow and mass. The *Quality Assurance Handbook for Air Pollution Measurement Systems*, published by the U.S. EPA, Research Triangle Park, NC 27711, can be consulted for detailed quality assurance guidelines.

Equipment Required

Optional mass transfer standards are available from Thermo Fisher Scientific for performing an annual mass calibration. However, additional specialized equipment is needed to calibrate the Model 5014*i* for temperature, relative humidity, barometric pressure, and volumetric flow. The following equipment should be used:

- A thermistor or thermocouple thermometer capable of measuring ambient temperatures in a range of –20 to 50 °C, readable to the

nearest 0.1 °C. This thermometer should be referenced to within an accuracy of ± 0.5 °C to NIST-traceable precision thermometers. Multiple thermometers may be used to cover the temperature range as long as each thermometer meets the accuracy and readability specifications described above.

- A barometer capable of measuring barometric pressure over a range of 600 to 800 mmHg (80 to 106 kilo Pascals [kPa]) and readable to the nearest 1 mmHg. At least once a year, this barometer should be calibrated to within ± 5 mmHg of a NIST-traceable barometer of known accuracy.
- Flow-rate Transfer Standard (FTS) measurement equipment capable of calibrating, or verifying, the volumetric flow rate measurement with an accuracy of ± 2 percent. This flow rate standard must be a separate, stand-alone device. It must have its own certification and be traceable to a NIST primary standard for volume or flow rate. Dry-piston meters and bubble flow meters should only be used under controlled laboratory conditions. Ambient field measurements should use a NIST-traceable low pressure drop orifice/venturi flow meter (such as, BGI Delta-Cal) or a Streamline Pro™ Model SX Kit (2-25 L/min).
- A relative humidity (RH) standard capable of measuring in the range of 35-75% RH, readable to the nearest 0.5% RH and accurate to within 2% RH.

Pre-Calibration

Prior to calibration, be sure the Model 5014*i* is operating properly. The Model 5014*i*'s internal diagnostics makes this a quick and simple process. Turn on the instrument and allow it to stabilize for one hour prior to calibrating. If you are receiving this instrument for the first time, the optional acceptance testing in the “[Installation](#)” chapter should also be reviewed. If the internal flow temperature sensor requires calibration, the dynamic heating system should be turned OFF, the cover should be removed, and the instrument should sample room temperature air at least one hour prior to calibrating.

Calibration Procedure

The order of calibration described below is preferred for optimal performance of the 5014*i* and comes from many years of experience working with and developing ambient particulate monitoring instrumentation. The Calibration submenus allow the user to view and calibrate the instrument. All calibration submenus are visible only when the instrument is in service mode. For more information on the service mode, see “[Service Mode](#)” earlier in Chapter 3.

RH/Temperature Calibration

All screens that appear in this chapter have been referenced in the previous chapter.

Ambient Temperature

Using a NIST-traceable thermometer as a reference collocated next to the ambient RH/temperature sensor assembly, measure and compare three individual readings between both the reference and the 5014*i* response. Taking an average of both sets of readings, calculate the average difference between the two readings and record that as your offset. This offset (ZERO) should now be entered in the screen below:

```

CALIBRATE AMBIENT TEMP:
TEMPERATURE:      29.9 °C
ZERO:             4.2 °C

      ↑↓ INC/DEC
      ← SAVE VALUE

RANGE  AVG  DIAGS  ALARM
  
```

Be sure to save the entry and compare the values once more. If it appears that the temperature has shifted into the wrong direction, change the sign of your offset value.

Ambient Relative Humidity

Using a NIST-traceable hygrometer as a reference collocated next to the ambient RH/temperature sensor assembly, measure and compare three individual readings between both the reference and the 5014*i* response. Taking an average of both sets of readings, calculate the average difference between the two readings and record that as your offset. This offset (ZERO) should now be entered in the screen below:

```

CALIBRATE AMBIENT RH:
REL HUMIDITY:     40.0 %
ZERO:             0.0 %

      ↑↓ INC/DEC
      ← SAVE VALUE

RANGE  AVG  DIAGS  ALARM
  
```

Be sure to save the entry and compare the values once more. If it appears that the temperature has shifted into the wrong direction, change the sign of your offset value.

Flow Temperature

Assuming the instrument cover has been removed, the heater has been turned off and removed from the instrument and the instrument has been sampling room temperature air for 1-hour, this calibration can now proceed.

Using a NIST-traceable thermometer as a reference collocated next to the small sample tube inlet on top of the instrument, measure and compare three individual readings between both the reference and the 5014*i* response. Taking an average of both sets of readings, calculate the average difference between the two readings and record that as your offset. This offset (ZERO) should now be entered in the screen below:

```
CALIBRATE FLOW TEMP:
TEMPERATURE:      28.0 °C
ZERO:             0.8 °C

      ↑↓ INC/DEC
      ← SAVE VALUE

RANGE  AVG  DIAGS  ALARM
```

Be sure to save the entry and compare the values once more. If it appears that the temperature has shifted into the wrong direction, change the sign of your offset value.

Pressure/Vacuum Calibration

There are three pressure sensors that can be calibrated, however, the primary sensor to be calibrated is the barometric pressure sensor. Both the vacuum sensor and pressure flow sensors are re-zeroed automatically with every filter tape change.

Barometer Pressure Calibration

Using a NIST-traceable barometer, measure the barometric pressure (and convert as necessary) in units of millimetres of mercury (mmHg). Use the SPAN feature from the barometric calibration submenu.

```
BARO PRES CALIBRATION:
>SPAN             1.0000
SET DEFAULTS

RANGE  AVG  DIAGS  ALARM
```

```

CAL BARO PRESSURE SPAN:
PRESSURE:          760 mmHg
SET TO:           747 mmHg?

      ←→ MOVE CURSOR
↑↓ CHANGE VALUE   ← SAVE

RANGE  AVG  DIAGS  ALARM
  
```

Be sure to save the entry and compare the values once more. Repeat as necessary to within 2 mmHg.

Calibrate Vacuum/Flow Zero

The Calibrate Vacuum/Flow Zero screen calibrates the vacuum/flow sensor at zero value. This is done automatically with every filter tape change. However, if for any reason this needs to be done, proceed to the following screen below to execute a zeroing filter tape change.

```

CAL VACUUM/FLOW ZERO:
VAC ZERO:          0.0
FLOW ZERO:         0.0

← TO CALIBRATE ZERO BY
  CHANGING FILTER

RANGE  AVG  DIAGS  ALARM
  
```

Calibrate Vacuum Pressure Span

The Calibrate Vacuum Pressure Span screen allows the user to view and set the vacuum sensor calibration span point.

To calibrate the vacuum sensor, zero a digital manometer (capable of measuring up to 100 mmHg) to the +ΔP port on the rear panel. Then push the toggle switch on the right inward to open (see [Figure 4-1](#)). The manometer reading can now be used to calibrate the vacuum sensor.

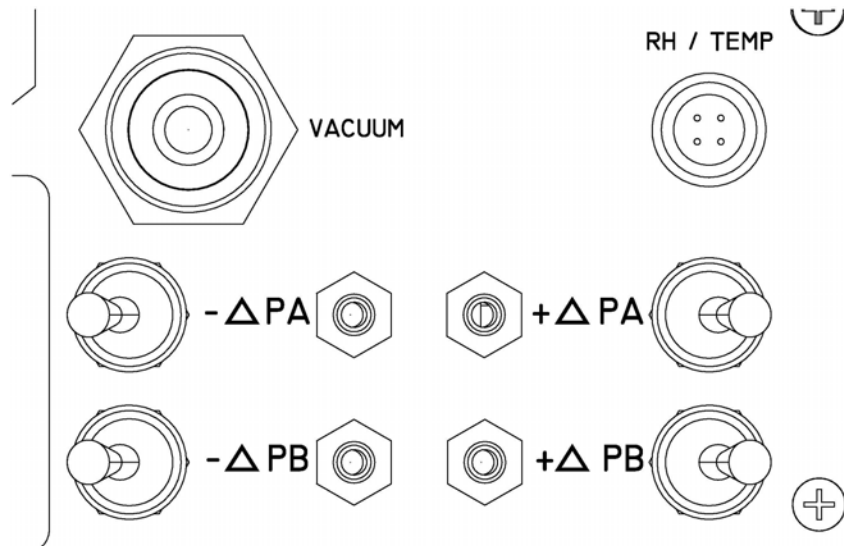
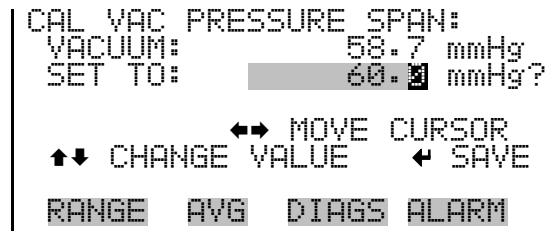


Figure 4-1. Differential Pressure and Vacuum Calibration Ports

- In the Main Menu, choose Service > Pres/Vacuum Calibration > Vac/Flow > **Vac Pres Span.**

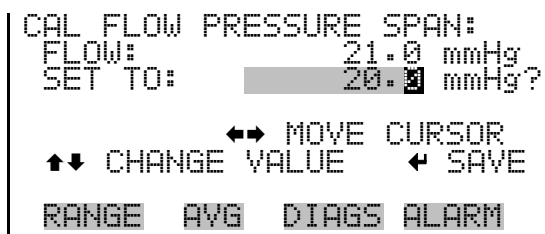


Calibrate Flow Pressure Span

The Flow Pressure Span screen allows the user to view and set the flow sensor calibration span point.

To calibrate the flow pressure sensor span point, the instrument must be pulling an active flow through the filter tape. By use of a manometer, connect the respective +/- ports of your NIST-traceable manometer to the respective rear panel +/- ports. (Please be certain to zero any digital manometers prior to connecting!) Open the ports by pressing the toggle switches inward. Calculate an average reading from the reference manometer in units of mmHg. Enter this span value into the screen below:

- In the Main Menu, choose Service > Pres/Vacuum Calibration > Vac/Flow > **Flow Pres Span**.



Be sure to save the entry and compare the values once more. Repeat as necessary to within 2 mmHg.

Flow Calibration

The preferred method of flow rate calibration is the Auto Flow Calibration.

Auto Flow Calibration

Place a NIST-traceable volumetric flow meter on top of the instrument after complete installation (reassembled heater tube, sample tubes, and inlets). Allow approximately 1-minute for the flow to stabilize. Once stable, measure and average three individual readings from the reference. This average observed flow rate from your reference meter should now be entered in the screen below:



Be sure to save the entry and compare the values once more. Repeat as necessary to within +/- 2 %.

Perform the “[Leak Test](#)” procedure on page 5-6 to verify no leaks.

Mass Calibration

The Model 5014*i* Beta is calibrated for mass in the factory using a series of null and span foils. The mass transfer standard foil sets are available from Thermo Fisher Scientific, and should be used as part of a QA Program for performing a QC check on the mass measurements. This mass foil calibration procedure can be used for QC checks, auditing, and calibration.

The Mass Calibration submenu is used to view and set the mass calibration point. The mass calibration screen is visible only when the instrument is in service mode. For more information on the service mode, see “[Service Mode](#)” earlier in the chapter.

Note This adjustment should only be performed by an instrument service technician. ▲

- In the Main Menu, choose Service > **Mass Calibration**>**Mass Coefficient**.

```
MASS CALIBRATION:
THERMAL COEFFICIENT
VACUUM COEFFICIENT
BARO COEFFICIENT
>MASS COEFFICIENT
ALPHA EFF COEFFICIENT

RANGE  AVG  DIAGS  ALARM
```

It is recommended to perform an annual mass calibration on the Model 5014*i* Beta Monitor.

- The foil sets must be kept in a clean container. **Do not** touch the foil window with your fingers.
- The foils must **not** be wiped, otherwise a loss or gain of mass can occur thereby biasing the mass calibration.
- Foils sets can be returned to Thermo Fisher Scientific for recalibration as necessary.
- Separate foil sets are recommended for periodic QC checks, auditing, and calibration.
- Should the user suspect the foil window(s) has been damaged, scratched, or coated, these foil sets should be returned to Thermo Fisher Scientific for re-calibration.

The null foil has the same approximate mass as a clean filter spot and the span foil is a calibrated mass increase above the null foil. Therefore, the foils come in a set and must not be mixed with other sets since a bias in mass calibration will occur.

Since the beta attenuation method is linear with mass increase, the Model 5014*i* need not be calibrated in the exact range of beta attenuation per filter spot. What is important, is calibrating the corresponding beta count reduction with an increase of calibrated mass.

Note To achieve the most accurate mass calibration, the flow temperature should be as stable as possible and therefore the instrument should have the heating system turned off, and the instrument should be allowed to equilibrate to shelter or ambient temperature. If the Model 5014*i* Beta is mounted within an ambient shelter, then the most stable time of day to perform a mass calibration would be either early morning or late afternoon. ▲

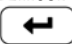
Mass Coefficient The preferred method of mass coefficient calibration is the Auto Mode.

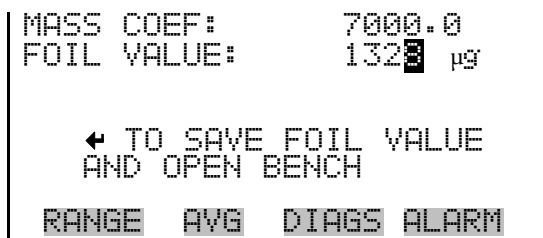
- In the Main Menu, choose Service > Mass Calibration > **Mass Coefficient**.




Auto Mass Coefficient The Auto Mass Coefficient screen allows the user to conduct a mass calibration of the measurement head and will walk you through the process.

Use the following procedure to conduct a mass calibration:

1. In the Main Menu, choose Service > Mass Calibration > Mass > **Auto**.
2. Enter the SPAN foil value (e.g., 1,328 µg) using the keypad and press  to save the foil value and to open the bench. The beta attenuation chamber should now open.





3. Cut/break the filter tape and remove from the bench. Then insert the Foil Holder from the calibration kit and press  while maintaining a slight sideward pressure on the filter holder.

```
MASS COEF:      7000.0
FOIL VALUE:     1328 µg

REMOVE TAPE, INSERT FOIL
HOLDER, ← TO CLOSE BENCH

RANGE  AVG  DIAGS  ALARM
```

4. Insert the Null/Zero foil with the label side up and press  to proceed with the foil calibration, or press  to stop the foil.

```
MASS COEF:      7000.0
FOIL VALUE:     1328 µg

INSERT NULL FOIL
← TO START ZERO CAL

RANGE  AVG  DIAGS  ALARM
```

```
MASS COEF:      7000.0
FOIL VALUE:     1328 µg
Beta Avg        12016 1/sec

PLEASE WAIT      265 sec

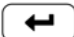

RANGE  AVG  DIAGS  ALARM
```

The auto zero procedure of mass will begin and last approximately 270 seconds. When the zero is complete, the beta attenuation measurement will remain closed and an average Beta count rate is displayed.

```
MASS COEF:      7000.0
FOIL VALUE:     1328 µg
Beta Avg        12022 1/sec

REMOVE NULL FOIL
← TO CONTINUE

RANGE  AVG  DIAGS  ALARM
```

5. Remove the zero/null foil and insert with the Span foil (e.g., 1328 ug) and press  to begin the span calibration, or press  to stop the foil.


```

MASS COEF:      7000.0
FOIL VALUE:    1328 µg
Beta Avg       12022 1/sec

  INSERT SPAN FOIL
  ← TO START MASS CAL

RANGE  AVG  DIAGS  ALARM
  
```

```

MASS COEF:      7000.0
FOIL VALUE:    1328 µg
Beta Avg       9884 1/sec

      PLEASE WAIT      245 sec

RANGE  AVG  DIAGS  ALARM
  
```

The span foil calibration procedure is now active and after another 270 seconds the calibration procedure should end, whereby a new Mass Coef value is shown and the percent difference is shown from the last foil calibration to the current calibration. This percent difference can also be used to directly audit the mass coefficient value since a percent difference in a mass coefficient is the same percent mass difference overall.

```

MASS COEF:      6878.7
FOIL VALUE:    1328 µg
Beta Avg       9911 1/SEC
difference      -1.7 %
  REMOVE SPAN FOIL
  ← TO CONTINUE

RANGE  AVG  DIAGS  ALARM
  
```

- After the span calibration, the screen will ask you to press to accept the new calibration. Otherwise press to keep the old Mass Coef value. Remove the span foil and press . The bench will now open. Remove the filter holder, replace the filter tape and press to confirm the calibration routine has now been completed.

```

MASS COEF:      6878.7
FOIL VALUE:    1328 µg
Beta Avg       9911 1/sec
difference      -1.7 %
  REMOVE, HOLDE, INSERT
  TAPE, ← TO CLOSE BENCH

RANGE  AVG  DIAGS  ALARM
  
```

```
MASS COEF:      6878.7
FOIL VALUE:     1328 µg
Beta Avg       9911 1/sec
difference      -1.7 %
  ← TO ACCEPT NEW VALUES
  ← TO DECLINE

RANGE  AVG  DIAGS  ALARM
```

Detector Calibration

The Detector Calibration submenu is used to view and set the detector calibration. The detector calibration screen is visible only when the instrument is in service mode. For more information on the service mode, see “[Service Mode](#)” earlier in the chapter.

Note This adjustment should only be performed by an instrument service technician. ▲

- In the Main Menu, choose Service > **Detector Calibration**.

```
DETECTOR CALIBRATION:
>AUTO
  MANUAL

RANGE  AVG  DIAGS  ALARM
```

Auto Detector Calibration

The Auto Detector Calibration screen allows the user to optimize the detector performance. This should be done at least once per year and as often as once per quarter.

- In the Main Menu, choose Service > Detector Calibration > **Auto**.

```
DETECTOR AUTO CAL:
HIGH VOLT:      1500 V
BETA CNT :      14649 1/sec

PRESS ← TO START AUTO CAL

RANGE  AVG  DIAGS  ALARM
```

This procedure will take approximately 30 minutes until completed. Thereafter, a high voltage (HV), beta reference threshold and alpha threshold will be assigned a new value.

Chapter 5

Preventive Maintenance

This chapter describes the periodic maintenance procedures that should be performed on the instrument to ensure proper operation. Since usage and environmental conditions vary greatly, you should inspect the components frequently until an appropriate maintenance schedule is determined.

This chapter includes the following preventive maintenance information:

- “Safety Precautions” on page 5-1
- “Replacement Parts” on page 5-2
- “Cleaning the Outside Case” on page 5-2
- “Cleaning the Inlets” on page 5-2
- “Fan Filter Inspection and Cleaning” on page 5-5
- “Pump Rebuilding” on page 5-6
- “Leak Test” on page 5-6
- “Filter Tape Replacement” on page 5-7
- “Greasing the Cam” on page 5-8

Safety Precautions

Read the safety precautions before beginning any procedures in this chapter.



WARNING If the equipment is operated in a manner not specified by the manufacturer, the protection provided by the equipment may be impaired. ▲



Equipment Damage Some internal components can be damaged by small amounts of static electricity. A properly grounded antistatic wrist strap must be worn while handling any internal component. For more information about appropriate safety precautions, see the “[Servicing](#)” chapter. ▲

Replacement Parts

See the “[Servicing](#)” chapter for a list of replacement parts and the associated replacement procedures.



WARNING If the equipment is operated in a manner not specified by the manufacturer, the protection provided by the equipment may be impaired. ▲

Cleaning the Outside Case

Clean the outside case using a damp cloth being careful not to damage the labels on the case.



Equipment Damage Do not use solvents or other cleaning products to clean the outside case. ▲

Cleaning the Inlets

The inlet assemblies can include a TSP inlet, a U.S. EPA compatible PM₁₀ inlet, or a Digital PM₁₀ or PM_{2.5} inlet. Cleaning schedules and routine maintenance of assembly components should be in accordance with a good quality assurance plan.

In general, it is recommended that the inlet assemblies be cleaned on a quarterly interval with mild soap solution, a thorough rinsing, and dried with a lint free cloth. If any impaction surfaces require impactor grease, it should be applied prior to reassembly. Furthermore, a general inspection, and replacement as necessary, of o-rings should be done.



Equipment Damage Some internal components can be damaged by small amounts of static electricity. A properly grounded antistatic wrist strap must be worn while handling any internal component. For more information about appropriate safety precautions, see the “[Servicing](#)” chapter. ▲

U.S. EPA PM₁₀ Inlet

The water collector bottle located on the PM₁₀ inlet should be inspected at least every five sampling days ([Figure 5–1](#)). Remove any accumulated water, clean the interior of the bottle, inspect the seals, and replace the bottle in the holder.

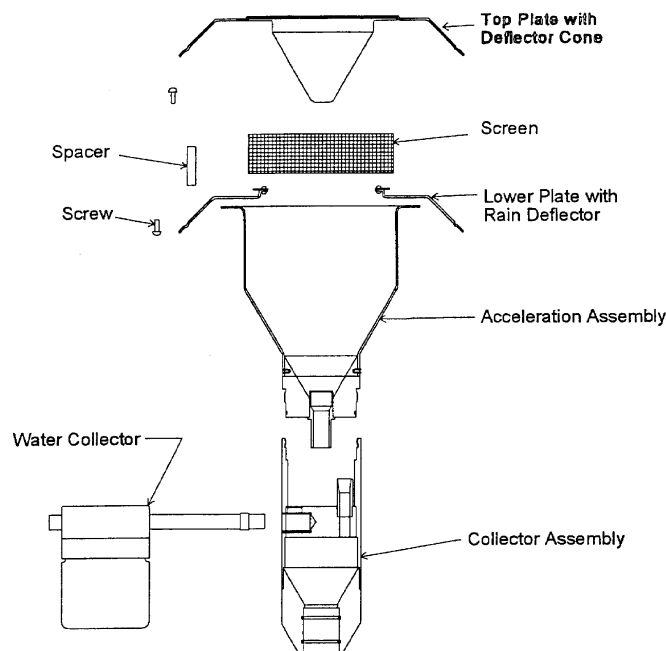


Figure 5–1. U.S. EPA PM₁₀ Inlet

Once a month the sampler inlet should be dismantled and cleaned. Mark each assembly point of the sampler inlet with a pen or pencil to provide reference marks during reassembly.

Disassemble the sample inlet unit according to [Figure 5–1](#). If the assembly screws are frozen, apply penetrating oil or commercial lubricant to make removal easier. Clean all interior surfaces and the bug screen with a general purpose cleaner or compressed air, paying particular attention to small openings and cracks. Cotton swabs and/or a small brush are helpful. Completely dry all components.

Also monthly, check the O-rings for distortion, cracks, fraying, or other problems and replace as necessary. Apply small amounts of grease to the rings before assembling the unit.

Reassemble the unit in accordance with the previously scribed match marks. Particular care should be taken to ensure that all O-rings seals are properly seated and that all screws are uniformly tightened.

European PM₁₀/PM_{2.5} Inlet

The same schedule should be used for the European PM₁₀ Inlet (e.g. Leckel), at approximately a 1-2 month interval. The components of the inlet should be inspected and cleaned as necessary. [Figure 5–2](#) provided below provides an image and design drawing of the inlet, with references to parts.

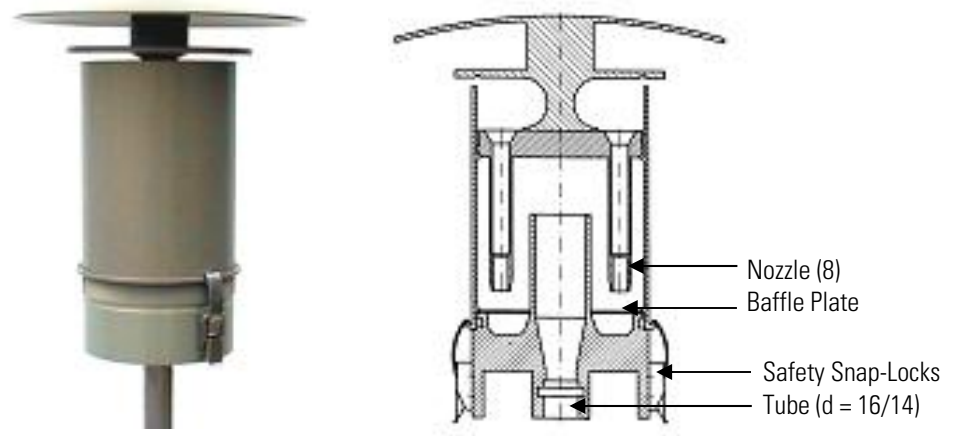


Figure 5-2. European PM₁₀ Inlet

PM₁₀ size selective inlet (1 m³/h) for 5014*i* Beta:

- Same construction as the EN reference inlet, but with 1 m³/h
- With special surface protection using an aluminium EMATAL surface
- With special water separator and easy exchangeable impactor baffle plate
- Standard tube connection: d = 16 mm for connecting a continuous monitor
- Easy converting to PM_{2.5} using the PM_{2.5} nozzle plate (8 nozzles)
- Easy converting to PM₁ using the PM₁ nozzle plate (8 nozzles)

Cyclone Maintenance

If a Sharp-Cut Cyclone (SCC) or a BGI Very Sharp-Cut Cyclone is being used for PM_{2.5} sampling ([Figure 5-3](#)), once every 2-3 weeks the dust pot should be unscrewed, emptied, and cleaned with a lint-free cloth. Once every three months, the entire SCC assembly should be inspected and cleaned, O-rings checked for distortion, cracks, fraying, or other problems. Replace O-rings as necessary.



Figure 5–3. PM_{2.5} Sharp-Cut-Cyclone

Heater and Sample Tube

On at least an annual basis (more frequently in heavily polluted environments) the sample tube that attaches to the inlet and to the Model 5014*i* Beta should be removed and cleaned. The use of a bottle brush and string will allow you to remove any deposits within the sample tube. This same procedure also applies to the heater tube.

Weather Proofing

The “[Installation](#)” chapter covers detailed installation instructions. After proper installation, it is recommended to check the weather-proof installation at all interfaces exposed to ambient conditions. Ensure that the condition of the roof flange and silicone caulking will prevent any precipitation from entering the shelter and possibly damaging the instrument’s electronics.

Fan Filter Inspection and Cleaning

Use the following procedure to inspect and clean the fan filter ([Figure 5–4](#)).

1. Remove the fan guard from the fan and remove the filter.
2. Flush the filter with warm water and let dry (a clean, oil-free purge will help the drying process) or blow the filter clean with compressed air.
3. Re-install the filter and fan guard.



Equipment Damage Some internal components can be damaged by small amounts of static electricity. A properly grounded antistatic wrist strap must be worn while handling any internal component. For more information about appropriate safety precautions, see the “[Servicing](#)” chapter. ▲

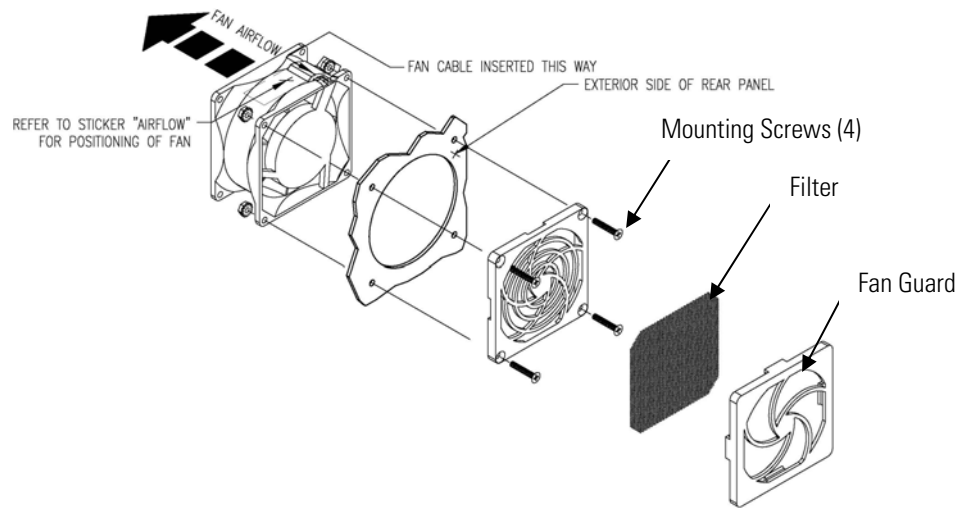


Figure 5–4. Inspecting and Cleaning the Fan

Pump Rebuilding

Rebuild the sample pump once every 12–18 months, or as necessary depending on the environment it is used in. The pump repair kit contains instructions for rebuilding the pump. See the “[Servicing](#)” chapter for a list of replacement parts. Perform the “[Leak Test](#)” procedure that follows.

Leak Test

This leak test procedure uses a volumetric flow meter and a custom leak check adapter. Use the following procedure to verify no leaks.

1. Place a reference volumetric flow meter (e.g., BGI Delta Cal) onto the inlet adapter and calibrate the 5014*i* so that the reference flow meter and the 5014*i* monitor read the same flow rate.
2. Install the custom leak check adapter onto the inlet adapter and then place the reference flow meter onto the leak check adapter.

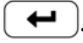
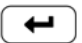
3. Record the reference volumetric flow meter reading and the instant flow reading. If the difference between both readings is less than 0.42 L/min ($\pm 2.5\%$), the leak check passes.

Filter Tape Replacement



Use the following procedure to replace the filter tape in case of breaks or if the tape runs out.

Equipment Damage Some internal components can be damaged by small amounts of static electricity. A properly grounded antistatic wrist strap must be worn while handling any internal component. For more information about appropriate safety precautions, see the “[Servicing](#)” chapter. ▲

1. Remove left side cover.
2. From the main menu choose Instrument Controls > Filter Tape Control > Manual > **Bench(s)**. Press .
3. Loosen both reel nuts on tape spindler. Remove used filter tape and empty tape spool from tape spindles.
4. Insert new filter tape on left tape spindle and tighten reel nut.
5. Insert new blank pick up spool on right tape spindle.
6. Route tape according to [Figure 5-5](#).
7. Attach end of tape to blank tape spool on right tape spindle with 2-inch of tape.
8. Turn blank tape spool until there is two complete wrappings of tape.
9. Tighten right reel nut. From Filter Tape Control > Manual > choose **Tape** and press  to MOVE tape.
10. From the main menu choose Alarms > **Instrument Alarms** to verify that there are no filter tape alarms.
11. Replace left side cover.

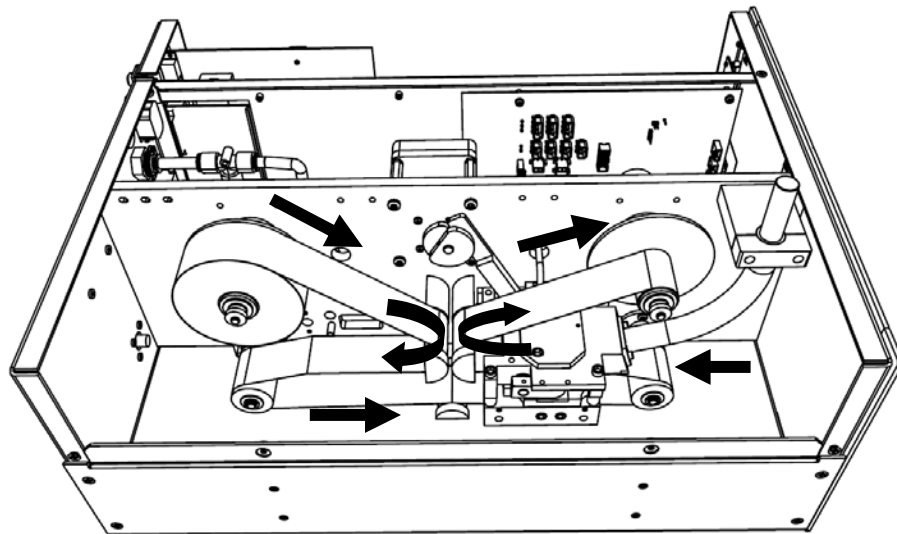


Figure 5-5. Replacing the Filter Tape

Greasing the Cam

Use the following procedure to grease the cam.

Equipment Required:

Dow Corning Molykote G-N

1. Apply metal assembly paste around the parameter of the cam.

Chapter 6

Troubleshooting

This instrument has been designed to achieve a high level of reliability. In the event of problems or failure, the troubleshooting guidelines, board-level connection diagrams, connector pin descriptions, and testing procedures presented in this chapter should be helpful in isolating and identifying problems.

The Technical Support Department at Thermo Fisher Scientific can also be consulted in the event of problems. See “[Service Locations](#)” on page 6-22 for contact information. In any correspondence with the factory, please note both the serial number and program number of the instrument.

This chapter provides the following troubleshooting and service support information:

- “[Safety Precautions](#)” on page 6-1
- “[Troubleshooting Guides](#)” on page 6-1
- “[Board-Level Connection Diagrams](#)” on page 6-6
- “[Connector Pin Descriptions](#)” on page 6-8
- “[Service Locations](#)” on page 6-22

Safety Precautions

Read the safety precautions in the Preface and “[Servicing](#)” chapter before performing any actions listed in this chapter.

Troubleshooting Guides

The troubleshooting guides presented in this chapter are designed to help isolate and identify instrument problems.

[Table 6–1](#) provides general troubleshooting information and indicates the checks that you should perform if you experience an instrument problem.

[Table 6–2](#) lists all the alarm messages you may see on the graphics display and provides recommendations about how to resolve the alarm condition.

Table 6–1. Troubleshooting - General Guide

Malfunction	Possible Cause	Action
No power	Main fuses are blown or missing	Check voltages from power supply.
	Digital electronics defective	Check that all boards and connectors are seated properly. Replace with spare boards to isolate the problem.
No automatic filter change	Reel nuts not tight	Tighten reel nuts.
	No more filter tape	Replace with new filter tape.
	Filter not properly adhered or broken	Adhere filter tape to take-up reel and wind over itself once.
	Filter tape transport drive motor defective	Replace motor.
Pressure sensor(s) board do not hold calibration	Optical tape counter defective	Replace optical tape transport sensor.
	Valves closed	Verify ΔP valves on rear panel are in the closed position.
Highly variable concentration	Loose plumbing	Verify all plumbing connections.
	Pressure board defective	Replace pressure printed circuit board.
Instrument does not calibrate properly	Recorder noise	Replace or repair recorder and/or leads.
	Sample concentration varying	Run Model 5014 <i>i</i> on a zero filter – if quiet, there is no malfunction.
	Foreign material in optical bench	Clean optical bench.
	Digital electronics defective	Replace board with a spare board.
Display is off	System leak	Find and repair leak.
	Pressure or temperature out of calibration	Re-calibrate pressure or temperature.
	Digital electronics defective	Replace one board at a time with a spare board to isolate the defective board.
	Flow	Verify ΔP valves on rear panel are in the closed position. Re-calibrate.
Display is off	Wrong contrast setting	Adjust contrast setting.

Malfunction	Possible Cause	Action
	LCD cable loose	Check connection and cable integrity.
	LCD defective	Replace display.
The change of parameters is not possible	Keyboard not enabled	Enable keyboard through menu.
No mass value	ADC defect	Change the main circuit board.
	Mains are broken	Check and repair.
	No high voltage value	Check HV.
	Detector defect	Change detector.
No automatic filter change	Mechanical defect	Check filter transport motor and mechanics. Make sure tape is adhered to take-up reel and intact.
	If pump is not running	Check pump power supply and wires.
	If the filter change parameter reaches the FC-value for the second time, then, the monitor stops	Adjust filter change parameters.
LCD out of function or dark	Wrong contrast	Adjust contrast.
	LCD defect	Change LCD.
	Connection cables from the main board are broken	Replace display ribbon cable.
Air flow rate disturbance or air flow is too low	Air flow parameters wrong	Check air flow rate parameters.
	No connection with plug (25) "pump"	Put in the plug (pump regulation input).
	Pump do not work properly	Clean inside parts of pump change.
	Very high pollution or blocking in the air passage	Clean air passage.
	Check ΔP calibration valve are in closed position	Close valves.

Table 6–2. Troubleshooting - Alarm Messages

Alarm Message	Possible Cause	Action
Instrument Alarms – Filter Tape Counter	Loose reel nuts	Tighten reel nuts.
	Broken tape	Replace tape.
	Loose photo interrupt cable	Verify connections.
Instrument Alarms – Filter Tape Change	Loose reel nuts	Tighten reel nuts.
	Broken tape	Replace tape.
	Tape motor nut turning	Verify connection to measurement interface board. Replace tape motor.
Instrument Alarms – Bench	Cam working not functioning	Verify connector to measurement interface board. Replace motor.
	Motor turning, cam not	Verify setscrews on cam coupling.
Instrument Alarms – Motherboard Status	Internal cables not connected properly	Check that all internal cables are connected properly. Re-cycle AC power to instrument. If still alarming, change board.
Instrument Alarms – Interface Status	Board defective	Replace board.
Instrument Alarms – I/O Exp Status		
Detector Alarms – Alpha	Detector	Re-calibrate detector.
	Settings	Verify alarm settings are between 0 minimum and 100 maximum.
Detector Alarms – Beta	Disconnected cable	Verify cable connections.
	Defective detector	Replace detector-Beta counts trending towards zero.
	Settings	Verify alarm settings are between 5000 minimum and 20000 maximum.
RH/Temperature Alarms – Ambient RH	Disconnect cable (external) on rear panel	Verify cable connection.
	Disconnect cable (internal)	Verify cable connection.
RH/Temperature Alarms – Sample RH	Disconnected heater	Verify cable connection.

Alarm Message	Possible Cause	Action
RH/Temperature Alarms – Ambient Temp	Disconnect cable (external) on rear panel	Verify cable connection.
	Disconnect cable (internal)	Verify cable connection.
RH/Temperature Alarms – Flow Temp	Disconnected cable	Verify connection to measurement interface board.
	Sensor defective	Replace sensor.
RH/Temperature Alarms – Board Temp	Disconnected cable	Verify connection to measurement interface board.
	Sensor defective	Replace sensor.
Pressure/Vacuum Alarms – Barometer Pressure	Disconnected cable	Verify cable connections. Replace board.
Pressure/Vacuum Alarms – Vacuum	Disconnected plumbing	Verify plumbing connections.
	Disconnected cable	Verify cable connection.
	Sensor defective	Replace pressure board.
Pressure/Vacuum Alarms – Flow	Disconnected plumbing	Verify plumbing connections
	Disconnected cable	Verify cable connection.
	Sensor defective	Replace pressure board.
	ΔP valve open	Verify valve is in close position.
Flow Alarms – Flow	Low flow	Check that pump is connected. Verify that both ΔP valves are in the closed position.
	No flow	Verify proportional valve plumbing. Verify connection to measurement interface board.
Conc Alarms – PM	Conc negative	Check heater and Beta counts.
	Conc alarm setting	Verify conc alarm settings.

Board-Level Connection Diagrams

Figure 6–1 and Figure 6–2 are board-level connection diagrams for the common electronics and measurement system. These illustrations can be used along with the connector pin descriptions in Table 6–3 through Table 6–7 to troubleshoot board-level faults.

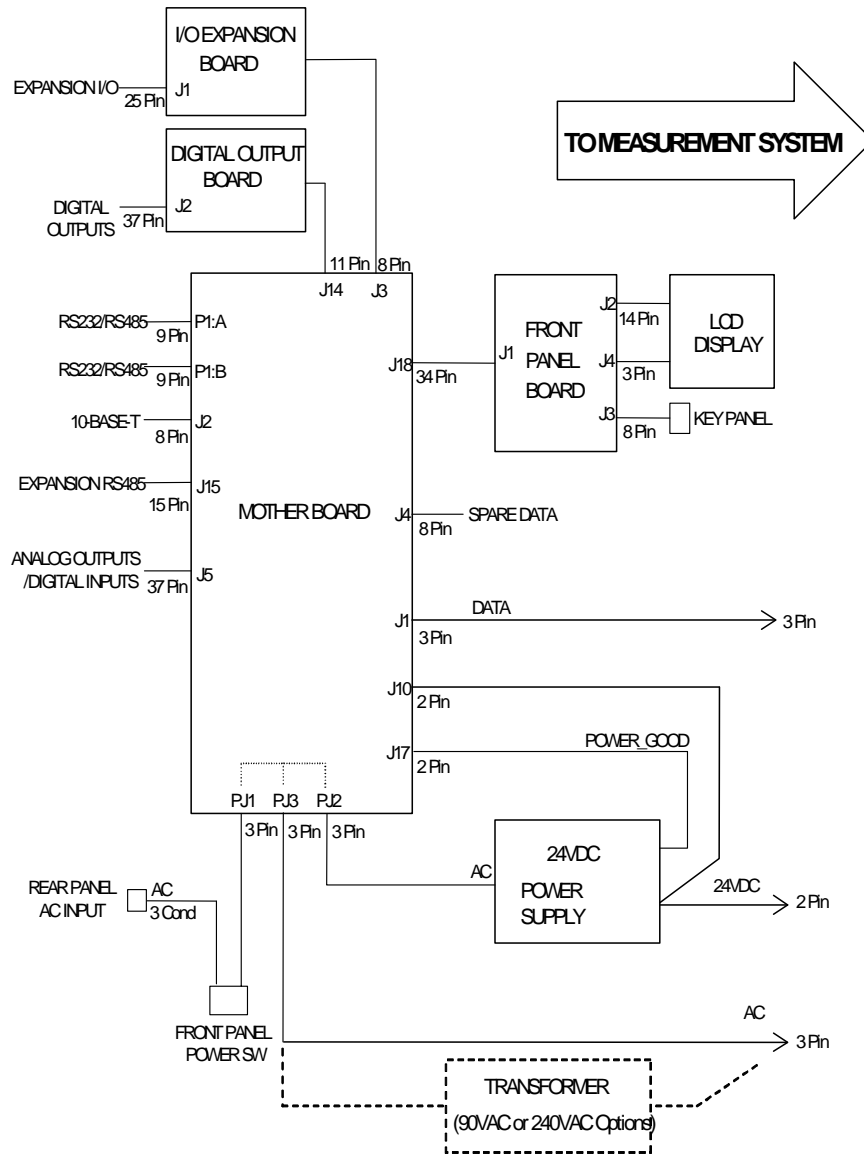


Figure 6–1. Board-Level Connection Diagram - Common Electronics

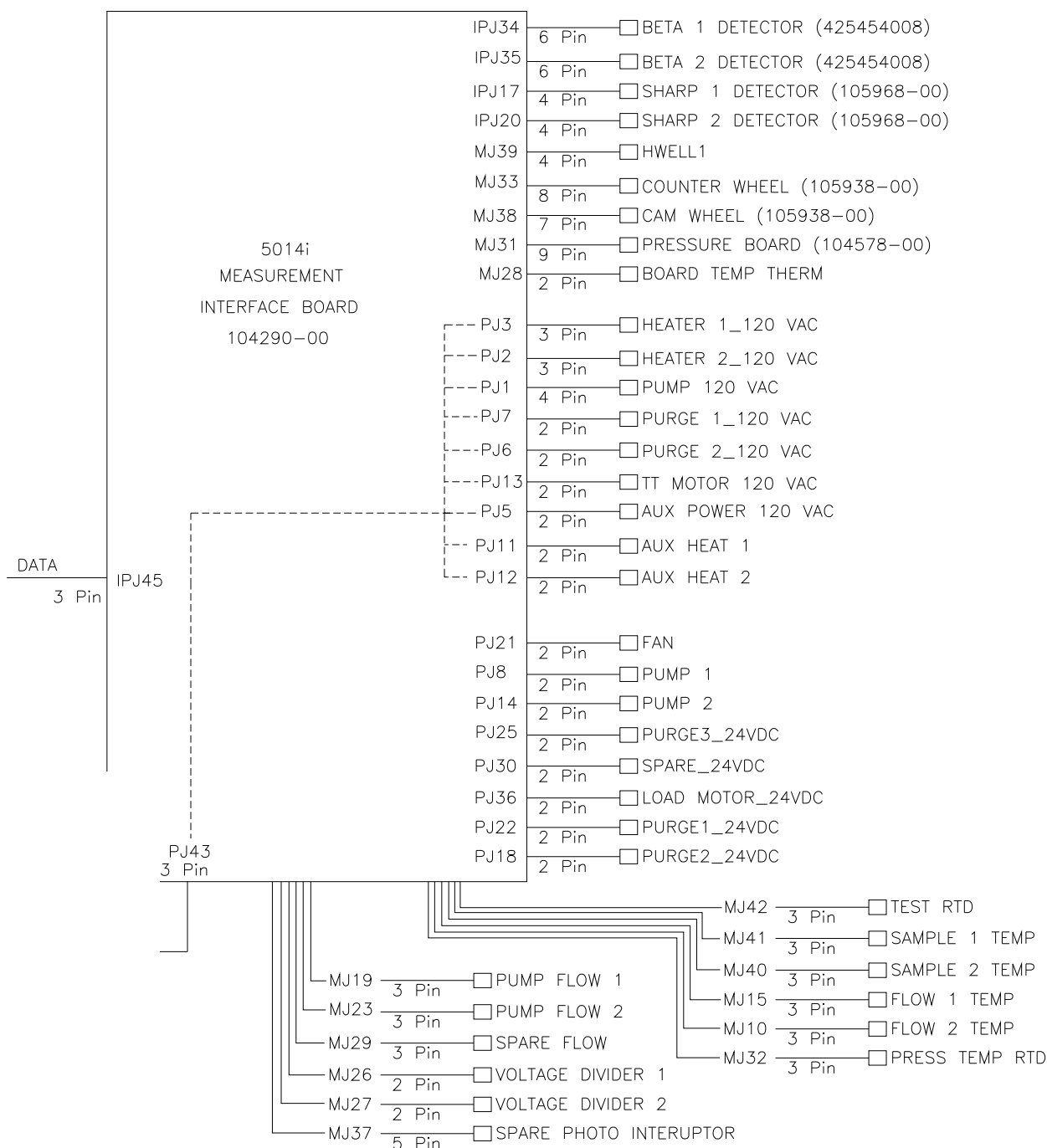


Figure 6-2. Board-Level Connection Diagram - Measurement System

Connector Pin Descriptions

The connector pin descriptions in [Table 6–3](#) through [Table 6–7](#) can be used along with the board-level connection diagrams to troubleshoot board-level faults.

[“Motherboard Connector Pin Descriptions”](#) on page 6-8

[“Measurement Interface Board Connector Pin Descriptions”](#) on page 6-13

[“Front Panel Board Connector Pin Diagram”](#) on page 6-17

[“I/O Expansion Board \(Optional\) Connector Pin Descriptions”](#) on page 6-19

[“Digital Output Board Connector Pin Descriptions”](#) on page 6-20

Table 6–3. Motherboard Connector Pin Descriptions

Connector Label	Reference Designator	Pin	Signal Description
INTF DATA	J1	1	Ground
		2	+RS485 to Interface Board
		3	-RS485 to Interface Board
10-BASE-T	J2	1	Ethernet Output (+)
		2	Ethernet Output (-)
		3	Ethernet Input (+)
		4	NC
		5	NC
		6	Ethernet Input (-)
		7	NC
		8	NC
EXPANSION BD	J3	1	+5V
		2	+24V
		3	+24V
		4	Ground
		5	Ground
		6	Ground
		7	+RS485 to Expansion Board
		8	-RS485 to Expansion Board
INTERFACE 24V	J4	1	+24V
		2	Ground

Connector Label	Reference Designator	Pin	Signal Description
I/O	J5	1	Power Fail Relay N.C. Contact
		2	Digital Ground
		3	TTL Input 1
		4	TTL Input 2
		5	Digital Ground
		6	TTL Input 5
		7	TTL Input 7
		8	TTL Input 8
		9	TTL Input 10
		10	Ground
		11	TTL Input 13
		12	TTL Input 15
		13	Digital Ground
		14	Analog Voltage 1
		15	Analog Voltage 3
		16	Analog Ground
		17	Analog Voltage 5
		18	Analog Ground
		19	Analog Ground
		20	Power Fail Relay COM
		21	Power Fail Relay N.O. Contact
		22	Digital Ground
		23	TTL Input 3
		24	TTL Input 4
		25	TTL Input 6
		26	Digital Ground
		27	TTL Input 9
		28	TTL Input 11
		29	TTL Input 12
		30	TTL Input 14
		31	TTL Input 16
		32	Digital Ground
		33	Analog Voltage 2
		34	Analog Voltage 4

Troubleshooting

Connector Pin Descriptions

Connector Label	Reference Designator	Pin	Signal Description
		35	Analog Ground
		36	Analog Voltage 6
		37	Analog Ground
VOLTAGE TEST	J6	1	+5V
		2	+3.3V
			+15V
			-15V
SER EN	J7	1	Serial Enable Jumper
		2	+3.3V
24V IN	J10	1	+24V
		2	Ground
RESET PROC	J12	1	Reset-Proc
		2	Ground
DIGITAL I/O	J14	1	+5V
		2	+24V
		3	+24V
		4	Ground
		5	Ground
		6	Ground
		7	SPI Reset
		8	SPI Input
		9	SPI Output
		10	SPI Board Select
		11	SPI Clock
EXT. RS485	J15	1	-RS485 to Rear Panel
		2	-RS485 to Rear Panel
		3	+5V
		4	+5V
		5	+5V
		6	Ground
		7	Ground
		8	Ground
		9	NC
		10	NC

Connector Label	Reference Designator	Pin	Signal Description
		11	+24
		12	+24
		13	+24
		14	+24
		15	+24
<hr/>			
24 MONITOR	J17	1	24V Power Monitor
		2	Ground
<hr/>			
FRONT PANEL BD	J18	1	Ground
		2	Ground
		3	LCLK – LCD Signal
		4	Ground
		5	Ground
		6	LLP – LCD Signal
		7	LFLM – LCD Signal
		8	LD4 – LCD Signal
		9	LD0 – LCD Signal
		10	LD5 – LCD Signal
		11	LD1 – LCD Signal
		12	LD6 – LCD Signal
		13	LD2 – LCD Signal
		14	LD7 – LCD Signal
		15	LD3 – LCD Signal
		16	LCD Bias Voltage
		17	+5V
		18	Ground
		19	Ground
		20	LCD_ONOFF – LCD Signal
		21	Keypad Row 2 Input
		22	Keypad Row 1 Input
		23	Keypad Row 4 Input
		24	Keypad Row 3 Input
		25	Keypad Col 2 Select
		26	Keypad Col 1 Select

Troubleshooting

Connector Pin Descriptions

Connector Label	Reference Designator	Pin	Signal Description
		27	Keypad Col 4 Select
		28	Keypad Col 3 Select
		29	Ground
		30	Ground
		31	Ground
		32	Ground
		33	+24V
		34	+24V
RS232/RS485:A	P1:A	1	NC
		2	Serial Port 1 RX (-RS485 IN)
		3	Serial Port 1 TX (-RS485 OUT)
		4	NC
		5	Ground
		6	NC
		7	Serial Port 1 RTS (+RS485 OUT)
		8	Serial Port 1 CTS (+RS485 IN)
		9	NC
RS232/RS485:B	P1:B	1	NC
		2	Serial Port 2 RX (-RS485 IN)
		3	Serial Port 2 TX (-RS485 OUT)
		4	NC
		5	Ground
		6	NC
		7	Serial Port 2 RTS (+RS485 OUT)
		8	Serial Port 2 CTS (+RS485 IN)
		9	NC
AC IN	PJ1	1	AC-HOT
		2	AC-NEUT
		3	AC-Ground
AC 24VPWR	PJ2	1	AC-HOT
		2	AC-NEUT
		3	AC-Ground
AC INTF BD	PJ3	1	AC-HOT
		2	AC-NEUT

Connector Label	Reference Designator	Pin	Signal Description
		3	AC-Ground

Table 6–4. Measurement Interface Board Connector Pin Descriptions

Connector Label	Reference Designator	Pin	Signal Description
PUMP	J1	1	AC+
		2	Pump_AC-
		3	AC-Ground
		4	NC
HEATER 2	J2	1	AC+
		2	Heater2_AC-
		3	AC-Ground
HEATER 1	J3	1	AC+
		2	Heater1_AC-
		3	AC-Ground
WDT DISABLE	J4	1	Input
		2	Ground
AUX PWR 120V	J5	1	AC+
		2	AC-
PURGE 2	J6	1	AC+
		2	Purge2_AC-
PURGE 1	J7	1	AC+
		2	Purge1_AC-
PUMP 1	J8	1	+24V
		2	Pump1_On/Off
JTAG INTF	J9	1	TD0
		2	NC
		3	TD1
		4	NC
		5	TMS
		6	NC
		7	TCK
		8	NC

Troubleshooting

Connector Pin Descriptions

Connector Label	Reference Designator	Pin	Signal Description
		9	Ground
		10	NC
		11	NC
		12	NC
		13	NC
		14	NC
FLOW TEMP 2	J10	1	Flow2A_RTD
		2	Flow2B_RTD
		3	Ground
AUX HT 1	J11	1	AC+
		2	AuxHT_1_AC-
AUX HT 2	J12	1	AC+
		2	AuxHT_2_AC-
TT MOTOR	J13	1	AC+
		2	TT Motor_AC-
PUMP 2	J14	1	+24V
		2	Pump2_On/Off
FLOW TEMP 1	J15	1	Flow1A_RTD
		2	Flow1B_RTD
		3	Ground
SHARP 1	J17	1	+24V
		2	+RS485
		3	-RS485
		4	Ground
PURGE 2 DC	J18	1	+24V
		2	Purge2_DC
PUMP FLOW 1	J19	1	+24V
		2	Aout_Pump1_Flow
		3	Ground
SHARP 2	J20	1	+24V
		2	+RS485
		3	-RS485
		4	Ground
FAN	J21	1	+24V

Connector Label	Reference Designator	Pin	Signal Description
		2	Fan_Power
PURGE 1 DC	J22	1	+24V
		2	Purge1_DC
PUMP FLOW 2	J23	1	+24V
		2	Aout_Pump2_Flow
		3	Ground
PURGE 3 DC	J25	1	+24V
		2	Spare1_Sol
VD1	J26	1	AIN_VD-1
		2	Ground
VD2	J27	1	AIN_VD-2
		2	Ground
BOARD TEMP	J28	1	Board_Therm
		2	Ground
SPARE FLOW	J29	1	+24V
		2	Aout_Spare_Flow
		3	Ground
PURGE 4 DC	J30	1	+24V
		2	Spare2_Sol
PRESS BD	J31	1	-15V
		2	AIN_30PSIA
		3	AIN_FLOW_1
		4	AIN_VAC_2
		5	AIN_FLOW_2
		6	AIN_VAC_1
		7	+5V
		8	+15V
		9	Ground
PRESS TEMP	J32	1	Press_RTD
		2	Press_RTD
		3	Ground
CNTR WHEEL	J33	1	+5V
		2	Ground
		3	Ground

Troubleshooting

Connector Pin Descriptions

Connector Label	Reference Designator	Pin	Signal Description
		4	Ground
		5	VOA3
		6	+5V
		7	NC
		8	NC
BETA 1	J34	1	Ground
		2	+RS485
		3	-RS485
		4	Ground
		5	+5V
		6	Ground
BETA 2	J35	1	Ground
		2	+RS485
		3	-RS485
		4	Ground
		5	+5V
		6	Ground
LOAD MOTOR	J36	1	+24V
		2	Load_Motor_On
SP PHOTO	J37	1	+5V
		2	Ground
		3	Ground
		4	+5V
		5	VO_SP
CAM WHEEL	J38	1	+5V
		2	Ground
		3	Ground
		4	NC
		5	Dig_Slit
		6	+5V
		7	NC
HWELL 1	J39	1	AIN_RTDP
		2	+5V
		3	AIN_RHP_Hum

Connector Label	Reference Designator	Pin	Signal Description
		4	Ground
SAMPLE 2 TEMP	J40	1	Sample2A_RTD
		2	Sample2B_RTD
		3	Ground
SAMPLE 1 TEMP	J41	1	Sample1A_RTD
		2	Sample1B_RTD
		3	Ground
TEST RTD	J42	1	SpareA_RTD
		2	SpareB_RTD
		3	Ground
AC IN	J43	1	AC+
		2	AC-
		3	AC-Ground
24V IN	J44	1	+24V
		2	Ground
DATA	J45	1	Ground
		2	+RS485
		3	-RS485

Table 6–5. Front Panel Board Connector Pin Diagram

Connector Label	Reference Designator	Pin	Signal Description
MOTHERBOARD	J1	1	Ground
		2	Ground
		3	LCLK – LCD Signal
		4	Ground
		5	Ground
		6	LLP – LCD Signal
		7	LFLM – LCD Signal
		8	LD4 – LCD Signal
		9	LD0 – LCD Signal
		10	LD5 – LCD Signal
		11	LD1 – LCD Signal

Troubleshooting

Connector Pin Descriptions

Connector Label	Reference Designator	Pin	Signal Description
		12	LD6 – LCD Signal
		13	LD2 – LCD Signal
		14	LD7 – LCD Signal
		15	LD3 – LCD Signal
		16	LCD Bias Voltage
		17	+5V
		18	Ground
		19	Ground
		20	LCD_ONOFF – LCD Signal
		21	Keypad Row 2 Input
		22	Keypad Row 1 Input
		23	Keypad Row 4 Input
		24	Keypad Row 3 Input
		25	Keypad Col 2 Select
		26	Keypad Col 1 Select
		27	Keypad Col 4 Select
		28	Keypad Col 3 Select
		29	Ground
		30	Ground
		31	Ground
		32	Ground
		33	+24V
		34	+24V
LCD DATA	J2	1	LD0_5V – LCD Signal
		2	LD1_5V – LCD Signal
		3	LD2_5V – LCD Signal
		4	LD3_5V – LCD Signal
		5	LCD_ONOFF_5V – LCD Signal
		6	LFLM_5V – LCD Signal
		7	NC
		8	LLP_5V – LCD Signal
		9	LCLK_5V – LCD Signal
		10	+5V
		11	Ground

Connector Label	Reference Designator	Pin	Signal Description
		12	-25V
		13	LCD Bias Voltage
		14	Ground
KEYBOARD	J3	1	Keypad Row 1 Input
		2	Keypad Row 2 Input
		3	Keypad Row 3 Input
		4	Keypad Row 4 Input
		5	Keypad Col 1 Select
		6	Keypad Col 2 Select
		7	Keypad Col 3 Select
		8	Keypad Col 4 Select
LCD BACKLIGHT	J4	1	+5V Supply
		2	NC
		3	Ground

Table 6–6. I/O Expansion Board (Optional) Connector Pin Descriptions

Connector Label	Reference Designator	Pin	Signal Description
EXPANSION I/O	J1	1	Analog Voltage Input 1
		2	Analog Voltage Input 2
		3	Analog Voltage Input 3
		4	Ground
		5	Analog Voltage Input 4
		6	Analog Voltage Input 5
		7	Analog Voltage Input 6
		8	Ground
		9	Analog Voltage Input 7
		10	Analog Voltage Input 8
		11	Ground
		12	NC
		13	Current Output Return
		14	Ground
		15	Current Output 1

Troubleshooting

Connector Pin Descriptions

Connector Label	Reference Designator	Pin	Signal Description
		16	Current Output Return
		17	Current Output 2
		18	Current Output Return
		19	Current Output 3
		20	Current Output Return
		21	Current Output 4
		22	Current Output Return
		23	Current Output 5
		24	Current Output Return
		25	Current Output 6
MOTHER BD	J2	1	+5V
		2	+24V
		3	+24V
		4	Ground
		5	Ground
		6	Ground
		7	+RS485 to Motherboard
		8	-RS485 to Motherboard

Table 6–7. Digital Output Board Connector Pin Descriptions

Connector Label	Reference Designator	Pin	Signal Description
MOTHER BD	J1	1	+5V
		2	+24V
		3	+24V
		4	Ground
		5	Ground
		6	Ground
		7	SPI Reset
		8	SPI Input
		9	SPI Output
		10	SPI Board Select
		11	SPI Clock

Connector Label	Reference Designator	Pin	Signal Description
DIGITAL OUTPUTS	J2	1	Relay 1 Contact a
		2	Relay 2 Contact a
		3	Relay 3 Contact a
		4	Relay 4 Contact a
		5	Relay 5 Contact a
		6	Relay 6 Contact a
		7	Relay 7 Contact a
		8	Relay 8 Contact a
		9	Relay 9 Contact a
		10	Relay 10 Contact a
		11	NC
		12	Solenoid Drive Output 1
		13	Solenoid Drive Output 2
		14	Solenoid Drive Output 3
		15	Solenoid Drive Output 4
		16	Solenoid Drive Output 5
		17	Solenoid Drive Output 6
		18	Solenoid Drive Output 7
		19	Solenoid Drive Output 8
		20	Relay 1 Contact b
		21	Relay 2 Contact b
		22	Relay 3 Contact b
		23	Relay 4 Contact b
		24	Relay 5 Contact b
		25	Relay 6 Contact b
		26	Relay 7 Contact b
		27	Relay 8 Contact b
		28	Relay 9 Contact b
		29	Relay 10 Contact b
		30	+24V
		31	+24V
		32	+24V
		33	+24V

Connector Label	Reference Designator	Pin	Signal Description
		34	+24V
		35	+24V
		36	+24V
		37	+24V

Service Locations

For additional assistance, service is available from exclusive distributors worldwide. Contact one of the phone numbers below for product support and technical information or visit us on the web at www.thermo.com/aqi.

1-866-282-0430 Toll Free

1-508-520-0430 International

Chapter 7

Servicing

This chapter explains how to replace the Model 5014*i* subassemblies. It assumes that a subassembly has been identified as defective and needs to be replaced (or is an “expendable” item, not covered under warranty. Expendable items are indicated with an asterisk (*) in the “[Model 5014i Replacement Parts](#)” table.

For fault location information, refer to the “[Preventive Maintenance](#)” chapter and the “[Troubleshooting](#)” chapter in this manual.

The service mode section in the “[Operation](#)” chapter also includes parameters and functions that are useful when making adjustments or diagnosing problems.

For additional service assistance, see “[Service Locations](#)” at the end of this chapter.

This chapter includes the following parts information and component replacement procedures:

- “[Safety Precautions](#)” on page 7-3
- “[Firmware Updates](#)” on page 7-4
- “[Accessing the Service Mode](#)” on page 7-4
- “[Replacement Parts List](#)” on page 7-5
- “[Cable List](#)” on page 7-6
- “[External Device Connection Components](#)” on page 7-7
- “[Removing the Measurement Case Assembly and Lowering the Partition Panel](#)” on page 7-9
- “[Fuse Replacement](#)” on page 7-10
- “[Fan/Filter Replacement](#)” on page 7-11
- “[Detector Amplifier Assembly Replacement](#)” on page 7-12
- “[Detector Amplifier Board Calibration](#)” on page 7-13
- “[External Pump Replacement](#)” on page 7-14
- “[Pressure Board Replacement](#)” on page 7-15

- “Pressure Board Calibration” on page 7-17
- “Analog Output Testing” on page 7-18
- “Analog Output Calibration” on page 7-20
- “Analog Input Calibration” on page 7-21
- “Thermistor Replacement” on page 7-23
- “I/O Expansion Board (Optional) Replacement” on page 7-24
- “Digital Output Board Replacement” on page 7-26
- “Motherboard Replacement” on page 7-26
- “Measurement Interface Board Replacement” on page 7-27
- “Photo Interrupt Board Replacement” on page 7-29
- “Proportional Valve Replacement” on page 7-30
- “Detector Assembly Replacement” on page 7-31
- “Flow RTD Replacement” on page 7-33
- “Transformer Replacement” on page 7-34
- “Radius Tube Replacement” on page 7-35
- “Ambient RH/Temperature Replacement” on page 7-36
- “Front Panel Board Replacement” on page 7-38
- “LCD Module Replacement” on page 7-39
- “Service Locations” on page 7-41

Safety Precautions

Read the safety precautions before beginning any procedures in this chapter.



WARNING The service procedures in this manual are restricted to qualified service representatives. ▲

If the equipment is operated in a manner not specified by the manufacturer, the protection provided by the equipment may be impaired. ▲

The detector assembly should be replaced by a qualified technician knowledgeable in dealing with radiation precautions. By removing the detector assembly, the C-14 radioactive source is partially exposed. Safety glasses must be worn during this replacement procedure. The amount of C-14 meets the USNRC regulations as an exempt amount of radioactive source <math><100 \mu\text{Ci}</math>. ▲



CAUTION The detector window is very fragile. Handle with great care and do not wipe or touch the window. Furthermore, **do not** touch the solder cable connection (electrode) with your bare fingers. The oils from your skin can damage the detector. ▲

Safety glasses must be worn while replacing the detector assembly. ▲

If the LCD panel breaks, do not let the liquid crystal contact your skin or clothes. If the liquid crystal contacts your skin or clothes, wash it off immediately using soap and water. ▲



Equipment Damage Some internal components can be damaged by small amounts of static electricity. A properly grounded antistatic wrist strap must be worn while handling any internal component (Figure 7-1). If an antistatic wrist strap is not available, be sure to touch the instrument chassis before touching any internal components. When the instrument is unplugged, the chassis is not at earth ground. ▲

Do not remove the LCD panel or frame from the LCD module. ▲

The LCD polarizing plate is very fragile, handle it carefully. ▲

Do not wipe the LCD polarizing plate with a dry cloth, as it may easily scratch the plate. ▲

Do not use alcohol, acetone, MEK or other Ketone based or aromatic solvents to clean the LCD module, but rather use a soft cloth moistened with a naphtha cleaning solvent. ▲

Do not place the LCD module near organic solvents or corrosive gases. ▲

Do not shake or jolt the LCD module. ▲

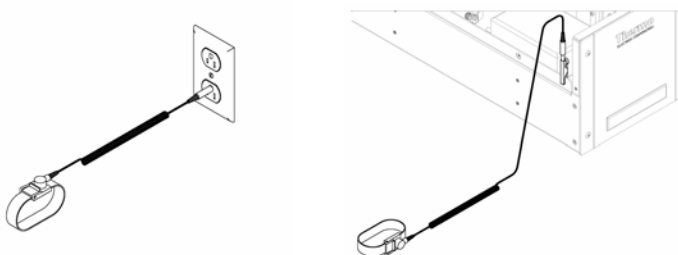


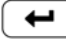


Figure 7-1. Properly Grounded Antistatic Wrist Strap

Firmware Updates

The firmware can be updated by the user in the field via the serial port or over the Ethernet. This includes both the main processor firmware and the firmware in all low-level processors. Refer to the *iPort* manual for the firmware update procedure.

Accessing the Service Mode

If the Service menu is not displayed on the Main Menu, use the following procedure to display it.

2. From the Main Menu, choose Instrument Controls > **Service Mode**.
The Service Mode screen appears.
3. Press  to toggle the Service Mode to ON.
4. Press  >  to return to the Main Menu.
5. Return to the procedure.

Replacement Parts List

Table 7-1 lists the replacement parts for the Model 5014*i* major subassemblies. Refer to Figure 7-2 to identify the component location.

Table 7-1. Model 5014*i* Replacement Parts

Part Number	Description
100480-00	Front Panel Pushbutton Board
110570-00	Processor Board (new zPort and *.cramfs required)
109141-00	Motherboard
100539-00	Digital Output Board
100542-00	I/O Expansion Board (optional)
102340-00	Front Panel Connector Board
102496-00	Front Panel Display
106926-00	Transformer, Step-Down, 220-240 VAC (optional)
104290-00	Measurement Interface Board
105869-00	Detector Assembly (LND4335)
105938-00	Photo Interrupt Board Assembly
106611-00	Rear Flow RTD Assembly
106536-00	RH Temperature Assembly
106535-00	Heater Tube Assembly, Three Feet
106037-00	Load Motor Assembly
106032-00	Tape Motor Assembly
106470-00	Proportional Valve Assembly
106946-00	Pressure Board Assembly (w/tubing assembly)
115425-01	Kit, Pressure Sensor Board Retrofit with PCBA
115425-02	Kit, Pressure Sensor Board Retrofit without PCBA
425454008	Preamp Board
106923-00	Pressure Valves
106540-00	Extension tubes w/fitting
101055-00	AC Receptacle Assembly
101681-00	Power Supply Assembly, 24 VDC (with base plate and screws)
101688-00	Ambient Temperature Thermistor (with connector)
100907-00	Fan, 24 VDC
8630	Filter Guard Assembly (with foam)*

Part Number	Description
109612-00	Fuse, 250 VAC, 10.0 Amp, SlowBlow (for 110 VAC and 115 VAC models)*
109613-00	Fuse, 250 VAC, 5.0 Amp, SlowBlow (for 220-240 VAC models)*
10-001403	External Pump Assembly
59-008630	Pump Rebuild Kit
24-000483	Pump Tubing, External 3/8-inch
106994-00	Tubing, Internal 3/8-inch
104401-00	Tape Guides
106443-00	Filter Tape
108183-00	Tape Hardware Kit
112297-00	Replacement O-ring Kit
106531-00	Cover Assembly
106988-00	Handles (front, cover)
FH125C14	Calibration Kit (Cal Foils)
10-000447	Modified Shoe for Tripod
106445-00	Metal Assembly Paste
107000-00	Fitting, 5/8 Union w/Nylon Ferrules
107001-00	Tubing, 5/8 Stainless Steel
109583-00	Roof Flange Assembly

*Expendable item, not covered by warranty

Cable List

Table 7–2 lists the Model 5014*i* cables. See the “[Troubleshooting](#)” chapter for associated connection diagrams and board connector pin descriptions.

Table 7–2. Model 5014*i* Cables

Part Number	Description
101349-00	AC Power Cable (115 VAC, US)
8926	AC Power Cable (220 VAC, EU)
101036-00	DC Power Supply 24 V Output
101037-00	115 VAC Supply to Measurement Interface Board
101048-00	RS-485/Data
101038-00	AC Power Switch to Motherboard
101364-00	DC Power Supply Status Monitor
101054-00	Motherboard to Front Panel Board

Part Number	Description
101035-00	DC Power Supply AC Input
101055-00	Main AC from Receptacle Assembly
101377-00	AC to Power Switch
101267-00	Fan Power Assembly
106028-00	RH Temperature Connector Assembly
106030-00	Heater Cable to Heater Assembly
106029-00	Pump Cable to Pump Plug Assembly
106844-00	Rear Solenoid Cable Assembly
106027-00	Pressure to Interrupt Board Cable Assembly
105952-00	Cam Photo Interrupt Cable Assembly
106189-00	Counter Wheel Photo Interrupt Cable Assembly
106400-00	External RH Temperature Cable Assembly

External Device Connection Components

Table 7–3 lists the standard and optional cables and components used for connecting external devices such as PCs and dataloggers to an *iSeries* instrument.

Table 7–3. External Device Connection Components

Part Number	Description
102562-00	Terminal Block and Cable Kit (DB25) (optional)
102556-00	Terminal Block and Cable Kit (DB37) (optional)
102645-00	Cable, DB37M to Open End Cable, Six Feet (optional)
102646-00	Cable, DB37F to Open End, Six Feet (optional)
102659-00	Cable, DB25M to Open End, Six Feet (optional)
6279	Cable, RS-232, Six Feet (optional)
102888-00	Terminal Board PCB Assembly, DB37F (standard)
102891-00	Terminal Board PCB Assembly, DB37M (standard)
103084-00	Terminal Board PCB Assembly, DB25M (included with optional I/O Expansion Board)

Servicing

External Device Connection Components

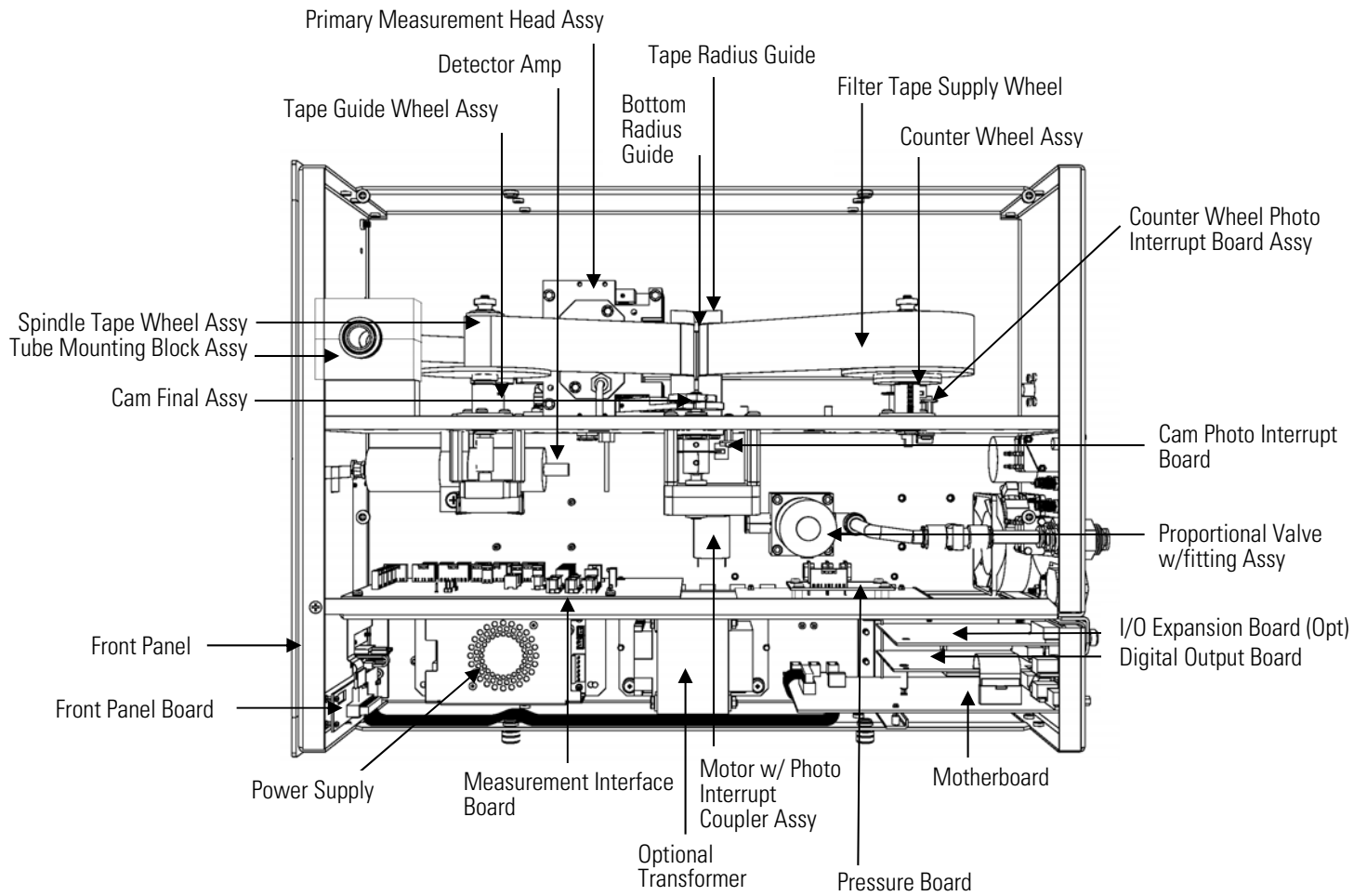


Figure 7-2. Model 5014*i* Component Layout

Removing the Measurement Case Assembly and Lowering the Partition Panel

The measurement case assembly can be removed and the partition panel can be lowered to improve access to connectors and components. Refer to the following steps when a procedure requires lowering the partition panel (Figure 7-3).

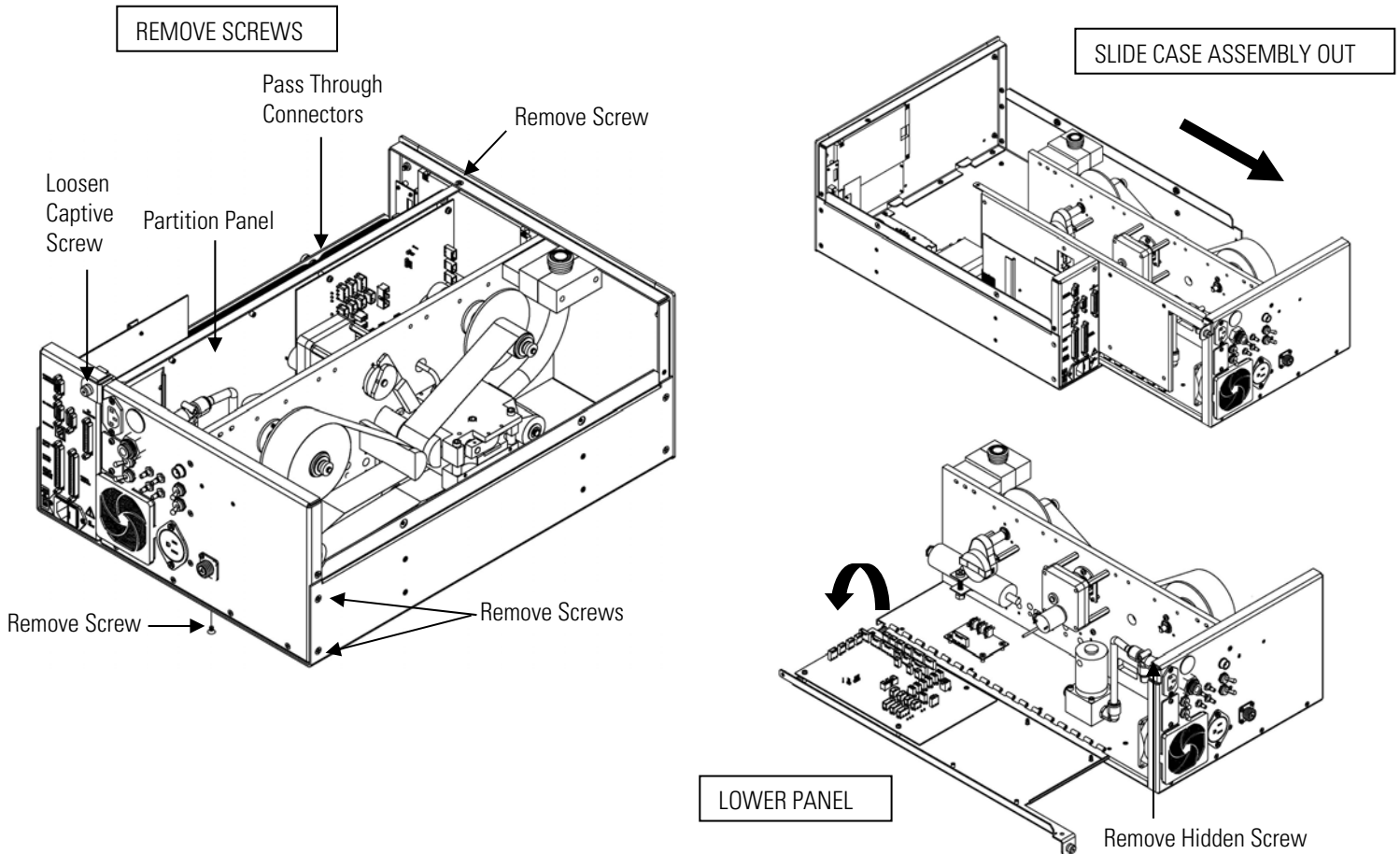


Figure 7-3. Removing the Measurement Case Assembly and Lowering the Partition Panel

Equipment Required:

Philips screwdriver



Equipment Damage Some internal components can be damaged by small amounts of static electricity. A properly grounded antistatic wrist strap must be worn while handling any internal component. ▲

Servicing

Fuse Replacement

1. Turn the instrument OFF and unplug the power cord.
2. If the instrument is mounted in a rack, remove it from the rack.
3. Remove the cover.
4. Disconnect the plumbing connections at the rear of the measurement case assembly.
5. Disconnect the connectors that pass through the center of the partition panel.
6. Remove two screws from the left side rear of the case (viewed from the front).
7. Remove one screw from the bottom rear of the case.
8. Remove one screw from the top front of the partition panel.
9. While holding the case securely, loosen the captive screw at the rear of the measurement case assembly, and pull the measurement case assembly from the rear of the case.
10. Remove the screw at the top rear of the partition panel that secures the top of the panel to the measurement case assembly, and lower the panel, being careful not to put excessive tension on the cables.
11. Replace the measurement case assembly by following the previous steps in reverse.

Fuse Replacement

Use the following procedure to replace the fuse.

Equipment Required:

Replacement fuses (refer to the “[Replacement Parts List](#)” in this chapter).

1. Turn the instrument OFF and unplug the power cord.
2. Remove the fuse drawer, located on the AC power connector.

3. If either fuse is blown, replace both fuses.
4. Insert fuse drawer and re-connect power cord.

Fan/Filter Replacement

Use the following procedure to replace the fan and the fan filter (Figure 7–4).

Equipment Required:

- Fan
- Fan filter
- Philips screwdriver
- Cable cutter (for tie-wrap removal)



Equipment Damage Some internal components can be damaged by small amounts of static electricity. A properly grounded antistatic wrist strap must be worn while handling any internal component. ▲

1. Turn the instrument OFF, unplug the power cord, and remove the cover.
2. Remove the fan guard and filter from the fan by unsnapping it.
3. If the fan is not being replaced, install the new filter, and snap it back into place, and skip the remaining steps.
4. Disconnect the fan power cable from the fan. Do not lose the four nuts.
5. Remove the four fan mounting screws and remove the fan.
6. Install a new fan following the previous steps in reverse.

Servicing

Detector Amplifier Assembly Replacement

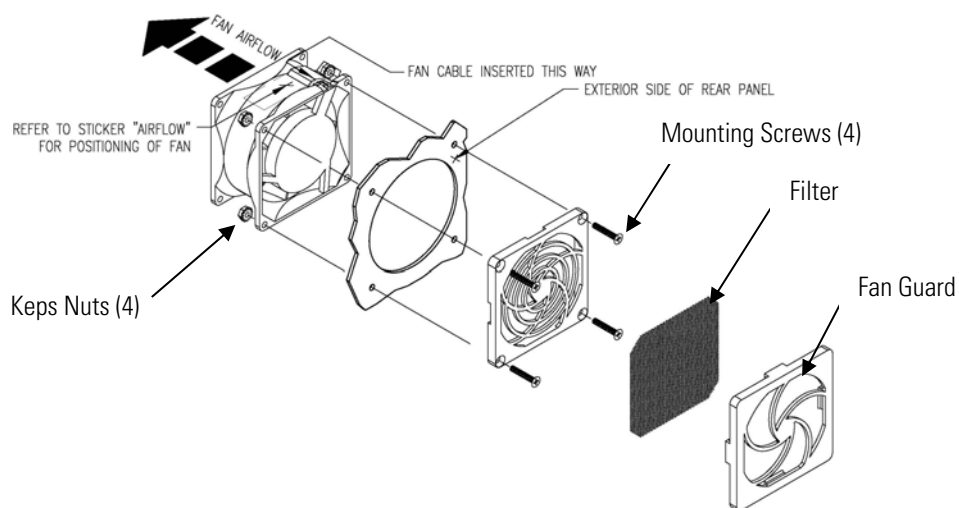


Figure 7-4. Replacing the Fan

Detector Amplifier Assembly Replacement

Use the following procedure to replace the detector/preamplifier assembly (Figure 7-5).

Equipment Required:

- Detector amplifier assembly
- Philips screwdriver
- Adjustable wrench



Equipment Damage Some internal components can be damaged by small amounts of static electricity. A properly grounded antistatic wrist strap must be worn while handling any internal component. ▲

1. Turn the instrument OFF, unplug the power cord, and remove the cover.
2. Disconnect the cable from the detector amplifier assembly connector on the measurement interface board and disconnect the SHV connector from the detector amplifier.
3. Remove the one screw holding the detector amplifier mounting bracket and slide out the detector amplifier assembly.

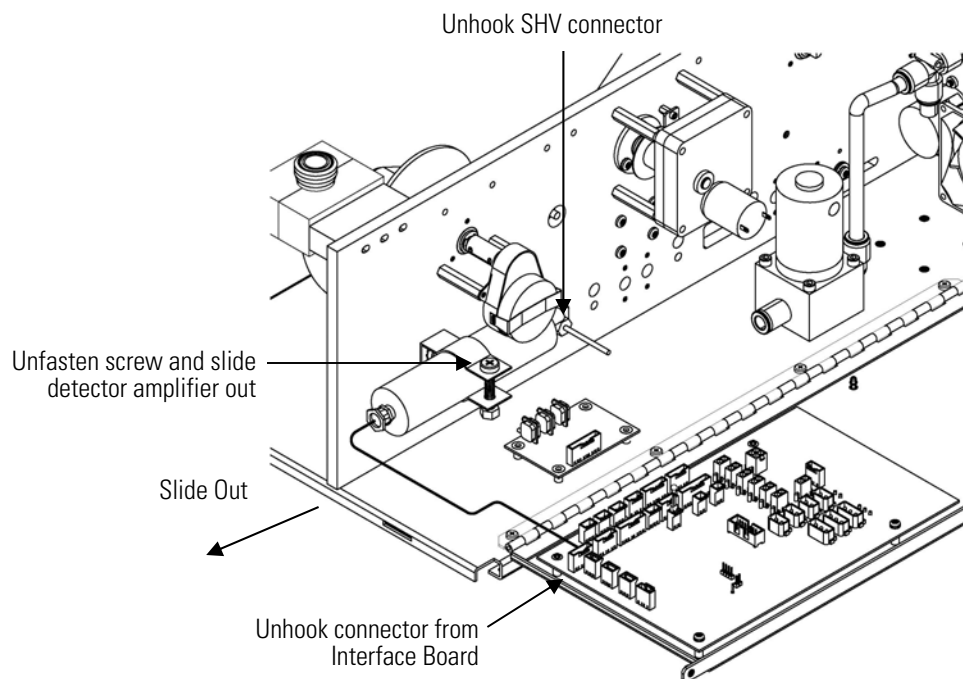


Figure 7-5. Replacing the Detector Amplifier Assembly

4. Install the new detector amplifier assembly by following the previous steps in reverse.
5. Calibrate the detector amplifier board. Refer to the “[Detector Amplifier Board Calibration](#)” procedure that follows.

Note If Service Mode is not displayed, refer to “[Accessing the Service Mode](#)” on page 7-4, then return to the beginning of this step. ▲

6. Calibrate the instrument. Refer to the “[Calibration](#)” chapter in this manual.

Detector Amplifier Board Calibration

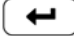
Calibrate the detector amplifier after replacing the detector amplifier board.

Note This adjustment should only be performed by an instrument service technician. ▲

1. Let the instrument sample zero air for about 90 minutes.

2. From the Main Menu, choose Service > Detector Calibration > **Auto**.
The Auto Detector Calibration screen appears.

Note If Service Mode is not displayed, refer to “[Accessing the Service Mode](#)” on page 7-4, then return to the beginning of this step. ▲

3. At the Detector Calibration screen, press  to start the auto detector calibration.

External Pump Replacement

Use the following procedure to replace the pump ([Figure 7-6](#)).

Equipment Required:

Pump

Adjustable wrench



Equipment Damage Some internal components can be damaged by small amounts of static electricity. A properly grounded antistatic wrist strap must be worn while handling any internal component. ▲

1. Turn the instrument OFF, unplug the power cord, and remove the cover.
2. Disconnect the pump power cable from the rear panel.
3. Remove both lines from the pump.
4. Install the new pump by following the previous steps in reverse.
5. Perform a leak test as described in the “[Preventive Maintenance](#)” chapter.

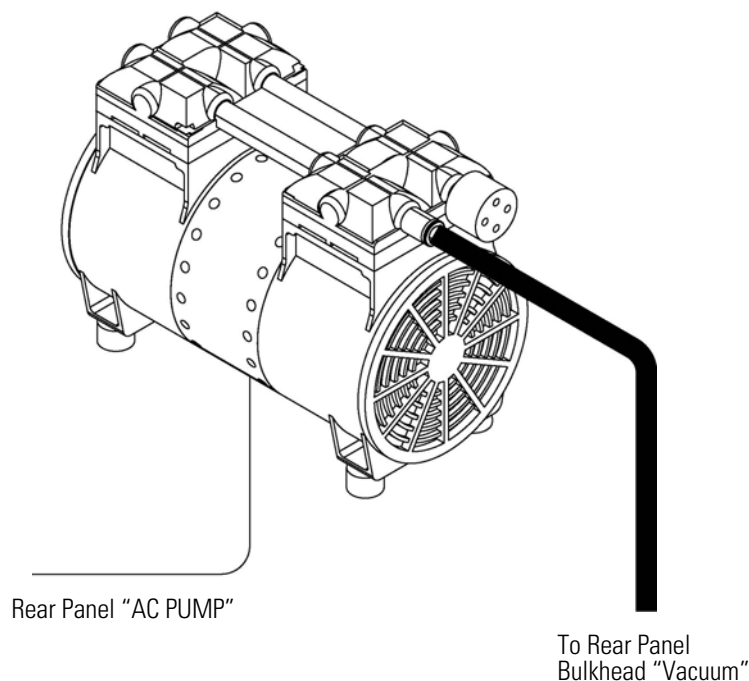


Figure 7–6. Replacing the Pump

Pressure Board Replacement

Use the following procedure to replace the pressure board (Figure 7–7).

Equipment Required:

- Pressure board
- Philips screwdriver, #2

Note If your pressure board is on the floor plate, order replacement retrofit kit and follow instructions included with kit. ▲



Equipment Damage Some internal components can be damaged by small amounts of static electricity. A properly grounded antistatic wrist strap must be worn while handling any internal component. ▲

1. Turn the instrument OFF, unplug the power cord, and remove the cover.
2. Disconnect plumbing from the pressure board assembly (Figure 7–2). Note the plumbing connections to facilitate reconnection.
3. Disconnect the pressure board from the divider panel.

4. Remove the four pressure board assembly retaining screws and remove the pressure board assembly (Figure 7-7).

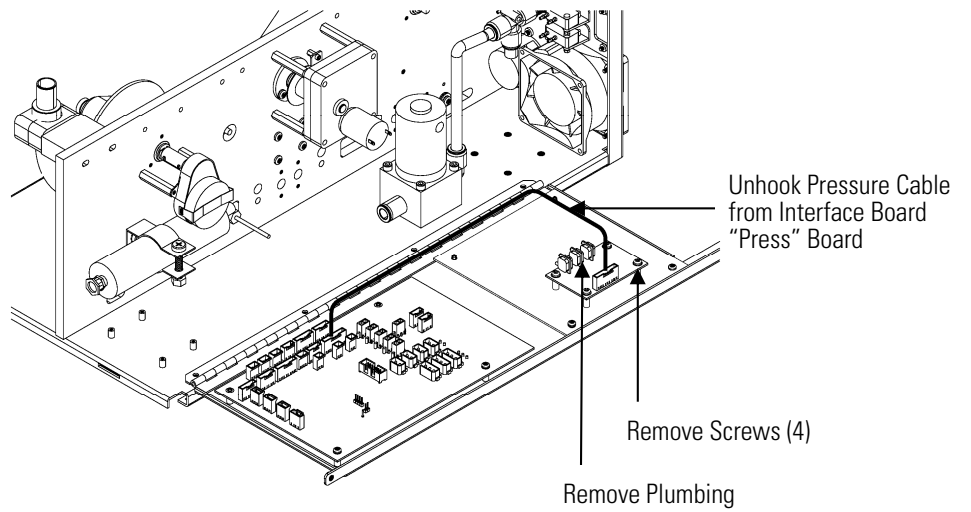


Figure 7-7. Replacing the Pressure Board Assembly

5. To install the pressure board assembly, follow the previous steps in reverse.

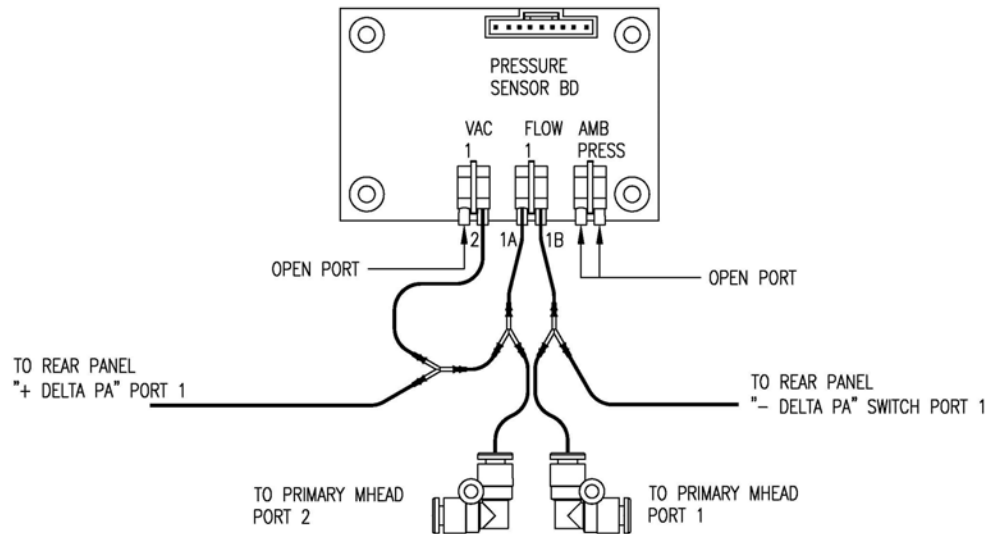


Figure 7-8. Replacing the Pressure Board Assembly Plumbing Connection

6. Calibrate the pressure sensor. Refer to the “[Pressure Board Calibration](#)” procedure that follows.
7. After calibration, perform a leak test as described in the “[Preventive Maintenance](#)” chapter.

Pressure Board Calibration


Use the following procedure to calibrate the pressure board assembly.

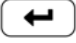
Equipment Required:

Manometer

1. From the Main Menu, choose Service > Pres/Vacuum Calibration > **Baro Pres**. Adjust the barometer pressure span by entering the actual barometric pressure value.

Note If Service Mode is not displayed, refer to “[Accessing the Service Mode](#)” on page 7-4 , then return to the beginning of this step. ▲

2. Return to the Pres/Vacuum Calibration, choose Vac/Flow > **Flow Pres Span**. Calibrate the flow pressure span according to the following:
 - a. Place digital manometer on bench.
 - b. Turn on manometer and allow to self calibrate. **Do not move** manometer while self-calibrating.
 - c. After zeroing the digital manometer, connect the “+” side of the manometer to the Delta-P \boxplus port on the rear panel.
 - d. Connect the “-” side of the manometer to the Delta-P \boxminus port on the rear panel.
 - e. Open both Delta-P \boxplus and \boxminus toggle valves to open flow through the manometer.
 - f. Cal Flow Pres Span by entering the actual value read by the manometer.
 - g. Press  to save value.
 - h. Turn off the manometer; this meter does **not** have an automatic turn off feature.
3. Return to the Pres/Vacuum Calibration, choose Vac/Flow > **Vac Pres Span**. Calibrate the vacuum pressure span according to the following:

- a. Use an acceptable vacuum manometer. If using a blue Druck manometer, place blue manometer on bench.
- b. Turn on manometer and let manometer self calibrate. **Do not move** manometer while self-calibrating.
- c. Connect the “+” side of the manometer to the Delta-P Δ + port on the rear panel.
- d. Open Delta-P Δ + toggle vales to open flow through the manometer.
- e. Cal Vac Pressure Span by entering the actual value from the reference manometer.
- f. Press  to save value.


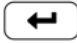

Analog Output Testing


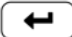
The analog outputs should be tested if the concentration value on the front panel display disagrees with the analog outputs. To check the analog outputs, connect a meter to an analog output channel (voltage or current) and compare the meter reading with the output value set on the Test Analog Outputs screen.

Equipment Required:

Multimeter

Use the following procedure to test the analog outputs.

1. Connect a meter to the channel to be tested. [Figure 7–9](#) shows the analog output pins and [Table 7–4](#) identifies the associated channels.
2. From the Main Menu, choose Diagnostics > **Test Analog Outputs**.
The Test Analog Outputs screen appears.
3. Press  to scroll to the desired channel corresponding to the rear panel terminal pins where the meter is connected, and press .
The Set Analog Outputs screen appears.
4. Press  to set the output to zero.
The Output Set To line displays Zero.
5. Check that the meter is displaying the zero value. If the meter reading differs by more than one percent of the full-scale output, the analog outputs should be adjusted. Refer to the “[Analog Output Calibration](#)” procedure that follows.

6. Press  to set the output to full-scale.
The Output Set To line displays Full-Scale.
7. Check that the meter is displaying a full-scale value. If the meter reading differs by more than one percent of the full-scale output, the analog outputs should be adjusted. Refer to the “[Analog Output Calibration](#)” procedure that follows.
8. Press  to reset the analog outputs to normal.

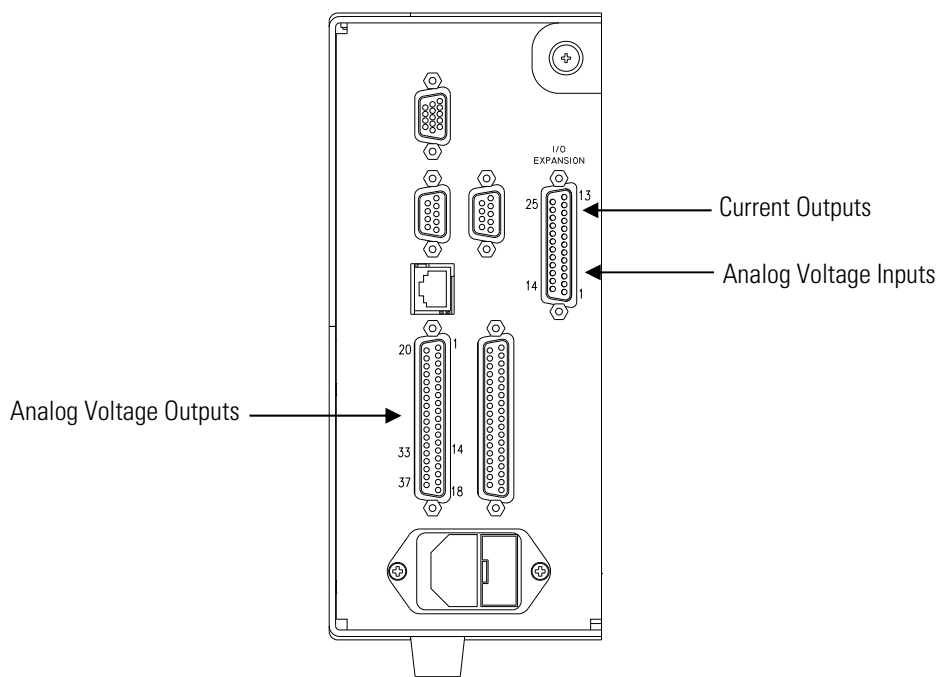


Figure 7–9. Rear Panel Analog Input and Output Pins

Table 7–4. Analog Output Channels and Rear Panel Pin Connections

Voltage Channel	Pin	Current Channel	Pin
1	14	1	15
2	33	2	17
3	15	3	19
4	34	4	21
5	17	5	23
6	36	6	25
Ground	16, 18, 19, 35, 37	Current Output Return	13, 16, 18, 20, 22, 24

Table 7–5. Analog Input Channels and Rear Panel Pin Connections

Input Channel	Pin
1	1
2	2
3	3
4	5
5	6
6	7
7	9
8	10
Ground	4, 8, 11, 14

Analog Output Calibration

Use the following procedure to calibrate the analog outputs if a meter reading in the “[Analog Output Testing](#)” procedure differed by more than one percent or after replacing the optional I/O expansion board.



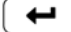
Equipment Required:

Multimeter

1. Connect a meter to the channel to be adjusted and set to voltage or current as appropriate. [Figure 7–9](#) shows the analog output pins and [Table 7–4](#) identifies the associated channels.
2. From the Main Menu, choose Service > **Analog Out Cal.**



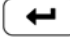


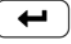



The Analog Output Cal screen appears.

Note If Service Mode is not displayed, refer to “[Accessing the Service Mode](#)” on page 7-4, then return to the beginning of this step. ▲

3. At the Analog Output Cal menu, press  to scroll to the desired voltage channel or current channel corresponding to the rear panel terminal pin where the meter is connected, then press .
4. With the cursor at Calibrate Zero, press .

The Analog Output Cal line displays Zero.

Note When calibrating the analog output, always calibrate zero first and then calibrate full-scale. ▲

5. Use   until the meter reads the value shown in the Set Output To line (0.0 V, or 0.0 or 4.0 mA), then press  to save the value.
6. Press  to return to the previous screen.
7. Press   to select Calibrate Full-Scale.
8. Use   until the meter reads the value shown in the Set Output To line, then press  to save the value.

Analog Input Calibration

Use the following procedures to calibrate the analog inputs after replacing the optional I/O expansion board. These procedures include selecting analog input channels, calibrating them to zero volts, and then calibrating them to full-scale using a known voltage source.



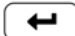
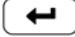


Calibrating the Input Channels to Zero Volts

Use the following procedure to calibrate the input channels to zero volts.

1. From the Main Menu, choose Service > **Analog Input Cal.**

The Analog Input Cal screen appears.

Note If Service Mode is not displayed, refer to “[Accessing the Service Mode](#)” on page 7-4, then return to the beginning of this step. ▲


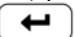


2. At the Analog Input Cal screen, press  to scroll to a channel, and press .
3. With the cursor at Calibrate Zero, press .
The screen displays the input voltage for the selected channel.
4. Make sure that nothing is connected to the channel input pins and press  to calibrate the input voltage on the selected channel to zero volts.
The screen displays 0.00 V as the voltage setting.
5. Press  >  to return to the Analog Input Cal screen and repeat Steps 2 through 4 to calibrate other input channels to zero as necessary.
6. Continue with the “[Calibrating the Input Channels to Full-Scale](#)” procedure that follows.








Calibrating the Input Channels to Full-Scale

Use the following procedure to calibrate the input channels to full-scale by applying a known voltage to the channels.

Equipment Required:

DC voltage source (greater than 0 volts and less than 10 volts)

1. Connect the known DC voltage source to the input channel (1-8) to be calibrated. [Figure 7-9](#) shows the analog input pins and [Table 7-5](#) identifies the associated channels.
2. From the Main Menu, choose Service > **Analog Input Cal**.
The Analog Input Cal screen displays input channels 1-8.
3. At the Analog Input Cal screen, press  to scroll to the channel selected in Step 1, and press .
4. Press  to scroll to Calibrate Full-scale, and press .
The screen displays the input voltage for the selected channel.

5. Use   and   to enter the source voltage, and press  to calibrate the input voltage for the selected channel connected to the source voltage.
6. Press  >  to return to the input channels display and repeat Steps 3-5 to calibrate other input channels to the source voltage as necessary.

Thermistor Replacement

Use the following procedure to replace the optional ambient temperature thermistor (Figure 7-10).

Equipment Required:

Thermistor assembly



Equipment Damage Some internal components can be damaged by small amounts of static electricity. A properly grounded antistatic wrist strap must be worn while handling any internal component. ▲

1. Turn the instrument OFF, unplug the power cord, and remove the cover.
2. Squeeze the thermistor latch and pull the thermistor assembly from the AMB TEMP connector on the measurement interface board.
3. Snap the new thermistor into the AMB TEMP connector.

Servicing

I/O Expansion Board (Optional) Replacement

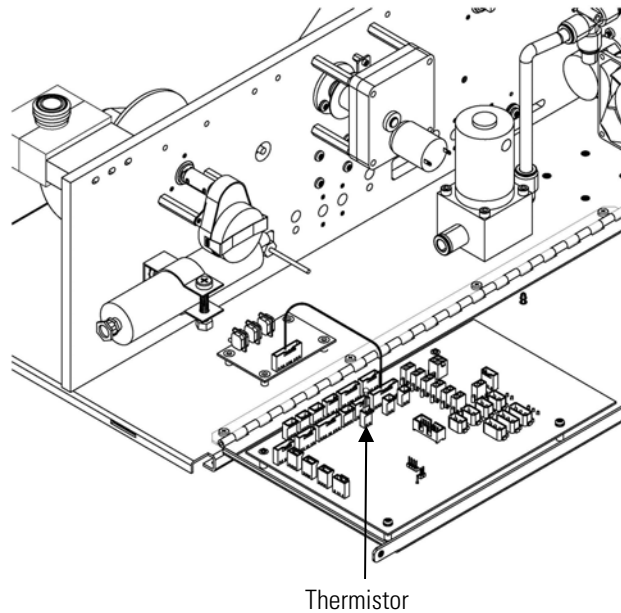


Figure 7-10. Replacing the Thermistor

I/O Expansion Board (Optional) Replacement

Use the following procedure to replace the optional I/O expansion board (Figure 7-11).

Equipment Required:

- I/O expansion board
- Nut driver, 3/16-inch



Equipment Damage Some internal components can be damaged by small amounts of static electricity. A properly grounded antistatic wrist strap must be worn while handling any internal component. ▲

1. Turn the instrument OFF, unplug the power cord, and remove the cover.
2. Unplug the I/O expansion board cable from the EXPANSION BD connector on the motherboard.
3. Remove the two standoffs holding the I/O expansion board connector to the rear panel (Figure 7-12).
4. Pop the board off of the mounting studs and remove the board.

5. To install the I/O expansion board, follow the previous steps in reverse.
6. Calibrate the analog current outputs and analog voltage inputs as defined earlier in this chapter.

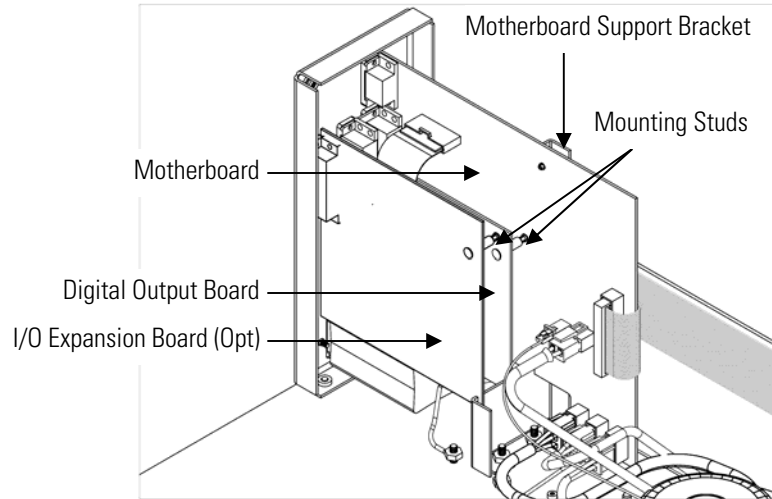


Figure 7–11. Replacing the I/O Expansion Board (Optional)

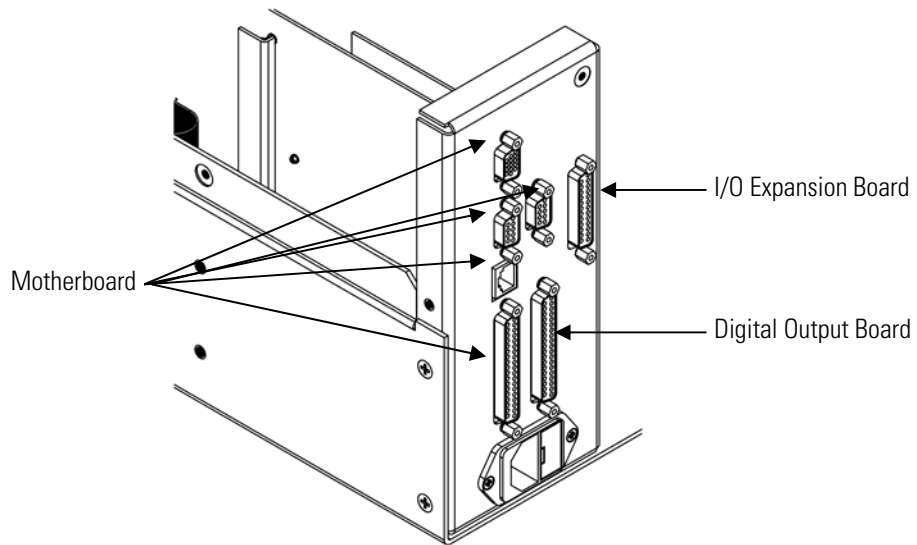


Figure 7–12. Rear Panel Board Connectors

Digital Output Board Replacement

Use the following procedure to replace the digital output board ([Figure 7–11](#)).

Equipment Required:

Digital output board

Nut driver, 3/16-inch



Equipment Damage Some internal components can be damaged by small amounts of static electricity. A properly grounded antistatic wrist strap must be worn while handling any internal component. ▲

1. Turn the instrument OFF, unplug the power cord, and remove the cover.
2. Remove the I/O expansion board (optional), if used. See the “[I/O Expansion Board \(Optional\) Replacement](#)” procedure in this chapter.
3. Disconnect the digital output board ribbon cable from the motherboard.
4. Using the nut driver, remove the two standoffs securing the board to the rear panel ([Figure 7–12](#)).
5. Pop the digital output board off of the mounting studs and remove the board.
6. To install the digital output board, follow the previous steps in reverse.

Motherboard Replacement

Use the following procedure to replace the motherboard ([Figure 7–11](#)).

Equipment Required:

Motherboard

Philips screwdriver

Nut driver, 3/16-inch



Equipment Damage Some internal components can be damaged by small amounts of static electricity. A properly grounded antistatic wrist strap must be worn while handling any internal component. ▲

1. Turn the instrument OFF, unplug the power cord, and remove the cover.
2. Remove the I/O expansion board (optional), if used. See the “[I/O Expansion Board \(Optional\) Replacement](#)” procedure in this chapter.
3. Remove the digital output board. See the “[Digital Output Board Replacement](#)” procedure in this chapter.
4. Unplug all connectors from the motherboard. Note connector locations to facilitate re-connection.
5. Using the nut driver, remove the six standoffs securing the board to the rear panel ([Figure 7–12](#)).
6. Pop the motherboard off of the support bracket, and remove the motherboard.
7. To install the motherboard, follow the previous steps in reverse.
8. Calibrate the analog voltage outputs as defined earlier in this chapter (all ranges).

Measurement Interface Board Replacement

Use the following procedure to replace the measurement interface board ([Figure 7–13](#)).

Equipment Required:

Measurement interface board

Philips screwdriver



Equipment Damage Some internal components can be damaged by small amounts of static electricity. A properly grounded antistatic wrist strap must be worn while handling any internal component. ▲

Servicing

Measurement Interface Board Replacement

1. Lower the partition panel, then proceed to the next step below. Refer to “[Removing the Measurement Case Assembly and Lowering the Partition Panel](#)” in this chapter.
2. Unplug all connectors from the measurement interface board. Note the locations of the connectors to facilitate re-connection.
3. Unscrew the two screws at the top of the measurement interface board. Pop the measurement interface board off from the two bottom mounting studs and remove the board.
4. To install the measurement interface board, follow the previous steps in reverse.
5. Re-install the measurement case assembly.
6. Calibrate the instrument. Refer to the “[Calibration](#)” chapter in this manual.

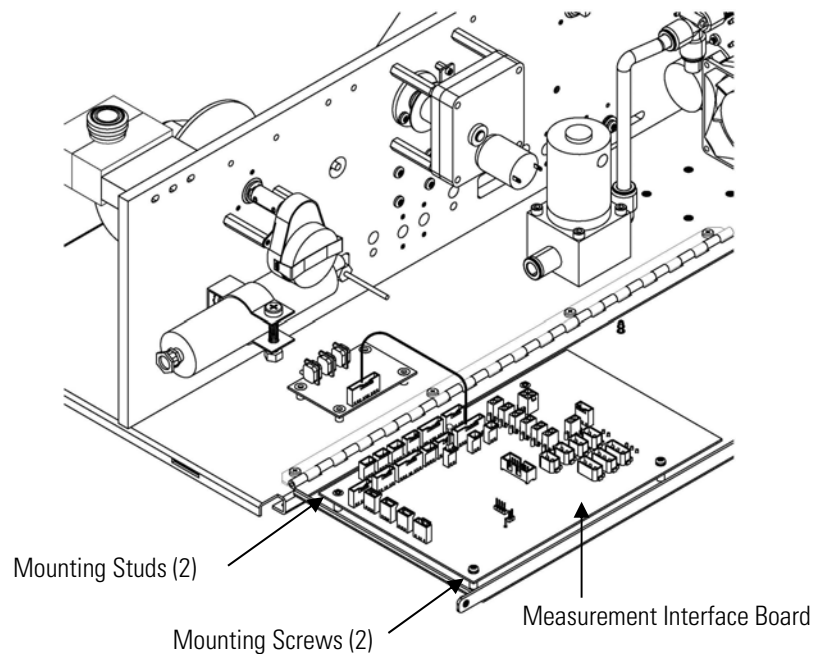


Figure 7–13. Replacing the Measurement Interface Board

Photo Interrupt Board Replacement

Use the following procedure to replace the photo interrupt board (Figure 7-14).

Equipment Required:

Photo interrupt board

Hex driver, 3/32-inch

Philips head screwdriver, #1



Equipment Damage Some internal components can be damaged by small amounts of static electricity. A properly grounded antistatic wrist strap must be worn while handling any internal component. ▲

1. Turn the instrument OFF, unplug the power cord, and remove the cover.
2. Disconnect cable.
3. Remove mounting screws.
4. Remove board.
5. Re-install the photo interrupt board by following the previous steps in reverse.

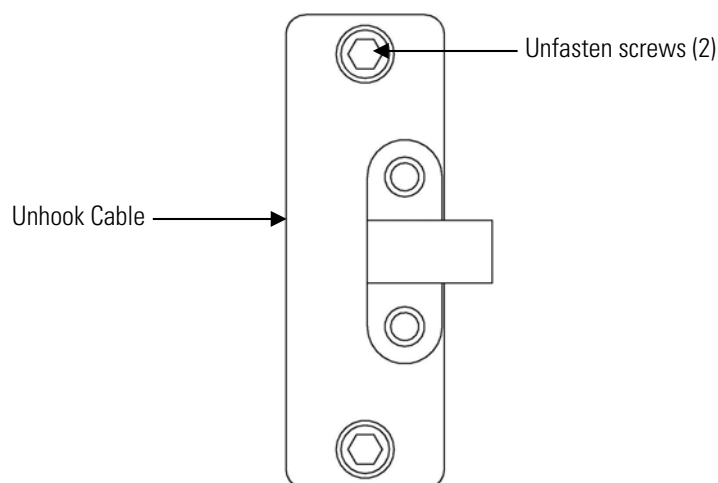


Figure 7-14. Replacing the Photo Interrupt Board

Proportional Valve Replacement

Use the following procedure to replace the proportional valve (Figure 7–15).

Equipment Required:

Proportional valve assembly

Hex driver, 3/32-inch



Equipment Damage Some internal components can be damaged by small amounts of static electricity. A properly grounded antistatic wrist strap must be worn while handling any internal component. ▲

1. Turn the instrument OFF, unplug the power cord, and remove the cover.
2. Refer to “[Removing the Measurement Case Assembly and Lowering the Partition Panel](#)” in this chapter to lower the partition panel, then proceed to the next step below.
3. Disconnect connector from the measurement interface board.
4. Disconnect plumbing.
5. Remove four mounting screws and remove proportional valve assembly.
6. Replace the proportional valve assembly by following the previous steps in reverse.
7. Perform a leak test as described in the “[Preventive Maintenance](#)” chapter.

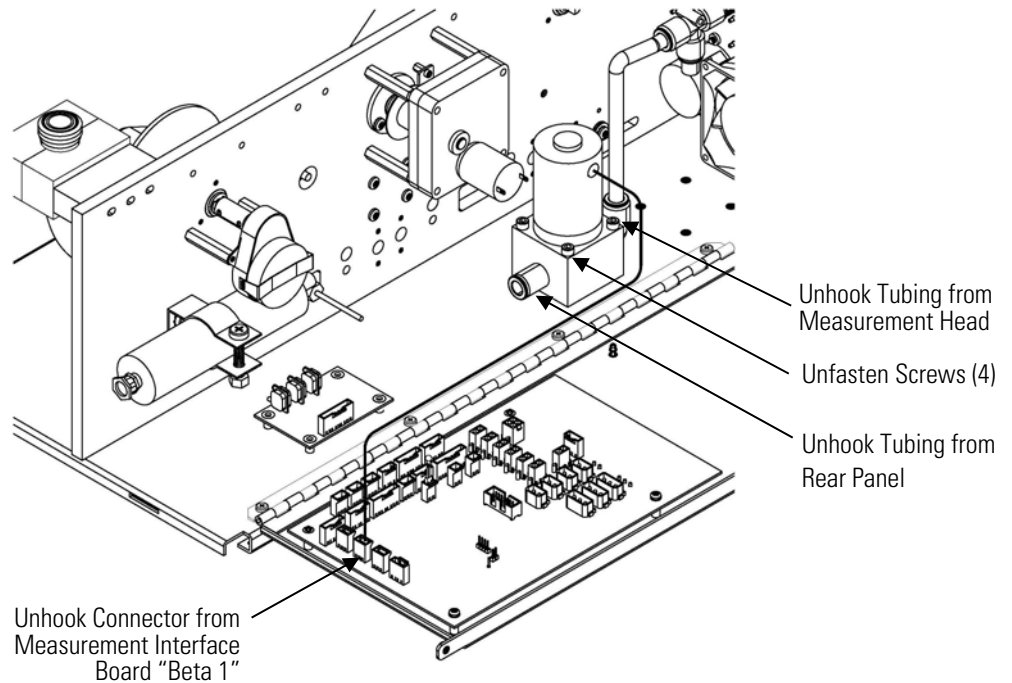


Figure 7–15. Replacing the Proportional Valve

Detector Assembly Replacement

Use the following procedure to replace the detector assembly (Figure 7–16).

Equipment Required:

- Detector assembly
- Hex driver, 4 mm
- Safety glasses



WARNING The detector assembly should be replaced by a qualified technician knowledgeable in dealing with radiation precautions. By removing the detector assembly, the C-14 radioactive source is partially exposed. Safety glasses must be worn during this replacement procedure. The amount of C-14 meets the USNRC regulations as an exempt amount of radioactive source <math><100 \mu\text{Ci}</math>. ▲

The service procedures in this manual are restricted to qualified representatives. ▲

If the equipment is operated in a manner not specified by the manufacturer, the protection provided by the equipment may be impaired. ▲



CAUTION The detector window is very fragile. Handle with great care and do not wipe or touch the window. Furthermore, **do not** touch the solder cable connection (electrode) with your bare fingers. The oils from your skin can damage the detector. ▲

Safety glasses must be worn while replacing the detector assembly. ▲



Equipment Damage Some internal components can be damaged by small amounts of static electricity. A properly grounded antistatic wrist strap must be worn while handling any internal component. ▲

1. Turn the instrument OFF, unplug the power cord, and remove the cover.
2. Disconnect the SHV connector from the detector amplifier assembly and slide through the wall plate.
3. Loosen both detector mounting screws and slowly lift the detector assembly.
4. Install the new detector assembly by following the previous steps in reverse, while taking special care not to puncture the mylar.
5. Calibrate the detector assembly. Refer to the “[Detector Calibration](#)” procedure on page [4-12](#).

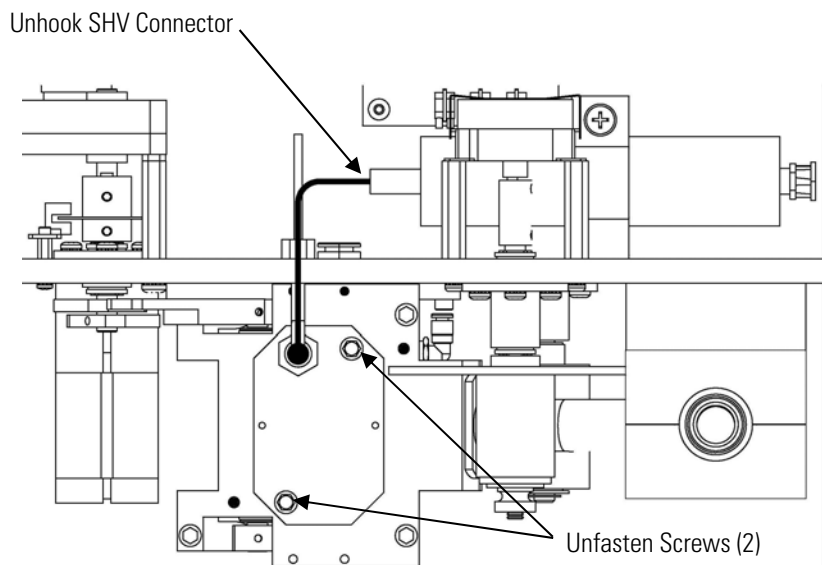


Figure 7–16. Replacing the Detector Assembly

Flow RTD Replacement

Use the following procedure to replace the flow resistive temperature diction (RTD) (see [Figure 7–17](#)).

Equipment Required:

Sample flow RTD

Adjustable wrench



Equipment Damage Some internal components can be damaged by small amounts of static electricity. A properly grounded antistatic wrist strap must be worn while handling any internal component. ▲

1. Turn the instrument OFF, unplug the power cord, and remove the cover.
2. Refer to “[Removing the Measurement Case Assembly and Lowering the Partition Panel](#)” in this chapter to lower the partition panel, then proceed to the next step below.
3. Loosen the kynar fittings using the wrench and slide out sample flow RTD.
4. Unplug the RTD connector from the measurement interface board “flowtemp1”.

5. Carefully install the new RTD by following the previous steps in reverse. Match the marked black line on the RTD to be flush with the fitting.

Note The black line is the pre-measured depth for the RTD. ▲

6. Calibrate the instrument. Refer to the “[Calibration](#)” chapter in this manual.

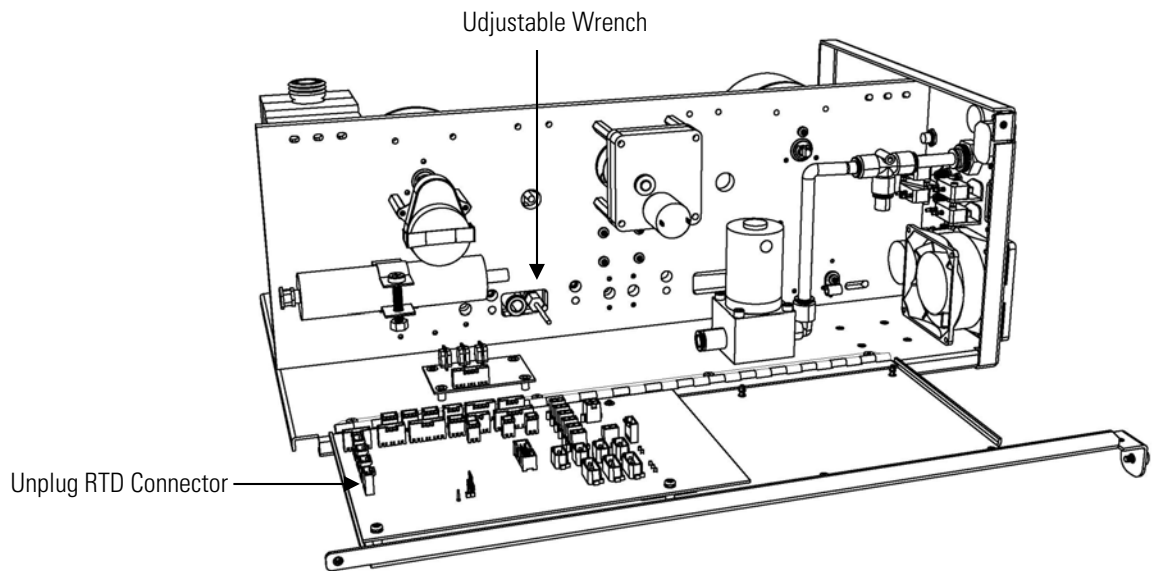


Figure 7–17. Replacing the RTD

Transformer Replacement

Use the following procedure to replace the transformer ([Figure 7–18](#)).

Equipment Required:

Transformer assembly

Philips screwdriver, #2



Equipment Damage Some internal components can be damaged by small amounts of static electricity. A properly grounded antistatic wrist strap must be worn while handling any internal component. ▲

1. Turn the instrument OFF, unplug the power cord, and remove the cover.

2. Disconnect cables from the measurement interface board and motherboard.
3. Unscrew the four mounting screws and lift out the transformer assembly.
4. Install the new transformer by following the previous steps in reverse.

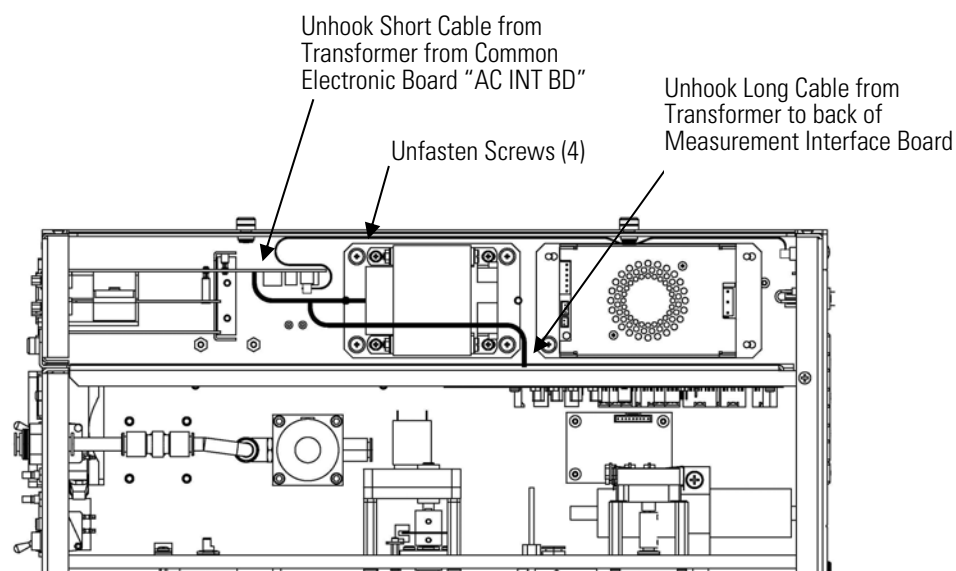


Figure 7–18. Replacing the Transformer

Radius Tube Replacement

Use the following procedure to replace the radius tube (Figure 7–19).

Equipment Required:

- Radius tube assembly
- Hex driver, 9/16-inch
- Hex driver, 7/64-inch



Equipment Damage Some internal components can be damaged by small amounts of static electricity. A properly grounded antistatic wrist strap must be worn while handling any internal component. ▲

1. Turn the instrument OFF, unplug the power cord, and remove the cover.

Servicing

Ambient RH/Temperature Replacement

2. Loosen the two screws of the radius mounting block using a 9/16-inch hex driver.
3. Loosen the two mounting screws on the measurement head assembly. Remove tube by slightly turning side-to-side, while pulling.
4. Verify the sealing o-ring is in position before sliding the new radius tube assembly into the measurement head.
5. Install the new radius tube assembly by following the previous steps in reverse.

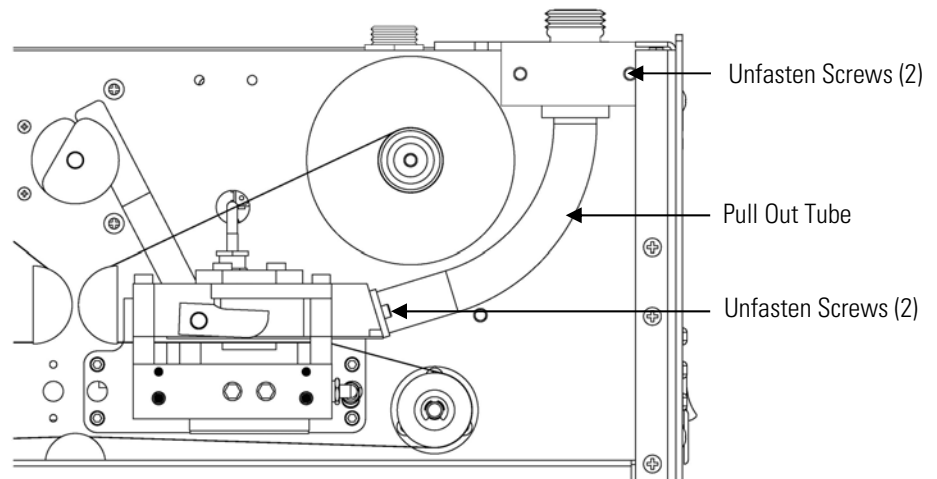


Figure 7–19. Replacing the Radius Tube

Ambient RH/Temperature Replacement

Use the following procedure to replace the ambient RH/temperature assembly (Figure 7–20).

Equipment Required:

Ambient RH/temperature assembly

Adjustable wrench

Pliers

Equipment Damage Some internal components can be damaged by small amounts of static electricity. A properly grounded antistatic wrist strap must be worn while handling any internal component. ▲

1. Turn the instrument OFF, unplug the power cord, and remove the cover.
2. Remove the cable from the bottom of the radiation shield assembly that houses the ambient RH/temperature assembly.
3. Remove the two mounting nuts on the mounting clamp of the radiation shield assembly. Remove the radiation shield assembly.
4. Turn over the radiation shield assembly and remove the three thumb screws.
5. Remove the three spacers and mounting bracket.
6. Slide out the ambient RH/temperature assembly.
7. Slide in the new ambient RH/temperature assembly by following the previous steps in reverse.
8. Calibrate the instrument. Refer to the “[Calibration](#)” chapter in this manual.

Servicing

Front Panel Board Replacement

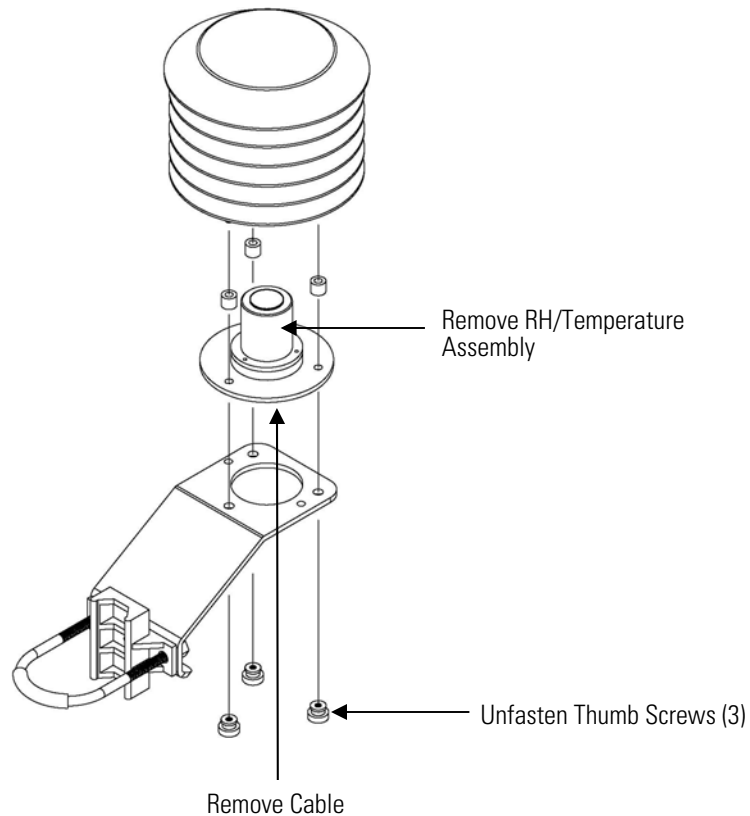


Figure 7–20. Replacing the Ambient RH/Temperature Assembly

Front Panel Board Replacement

Use the following procedure to replace the front panel board (Figure 7–21).

Equipment Required:

Front panel board



Equipment Damage Some internal components can be damaged by small amounts of static electricity. A properly grounded antistatic wrist strap must be worn while handling any internal component. ▲

1. Turn the instrument OFF, unplug the power cord, and remove the cover.
2. Remove the three ribbon cables and the two-wire connector from the front panel board.

3. Pop the board off of the two top mounting studs and remove the board by lifting it up and off the slotted bottom support.
4. Replace the front panel board by following the previous steps in reverse.

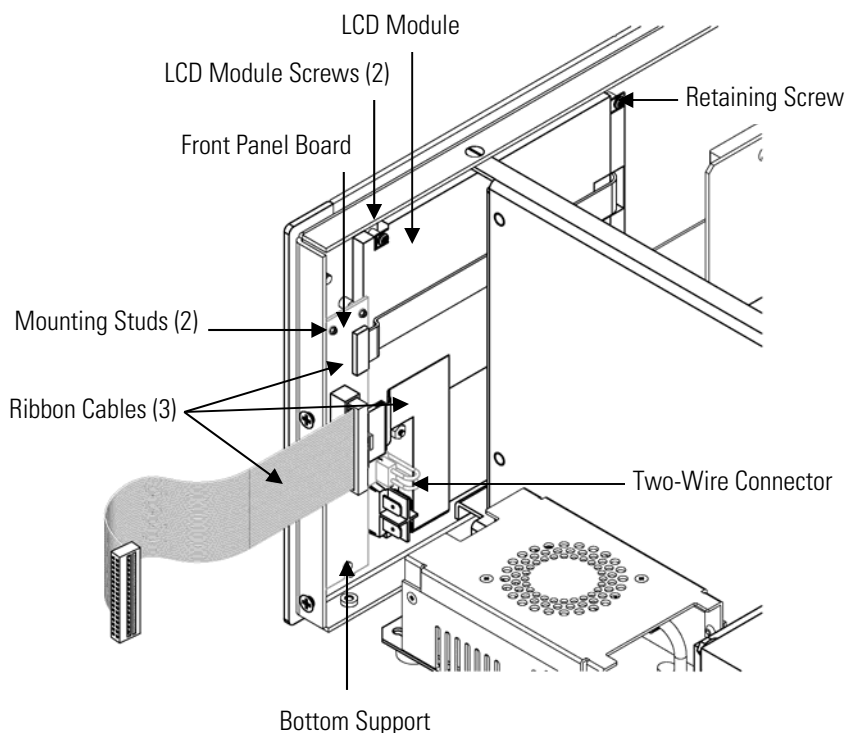


Figure 7–21. Replacing the Front Panel Board and the LCD Module

LCD Module Replacement

Use the following procedure to replace the LCD module ([Figure 7–21](#)).

Equipment Required:

LCD module

Philips screwdriver



CAUTION If the LCD panel breaks, do not let the liquid crystal contact your skin or clothes. If the liquid crystal contacts your skin or clothes, wash it off immediately using soap and water. ▲



Equipment Damage Some internal components can be damaged by small amounts of static electricity. A properly grounded antistatic wrist strap must be worn while handling any internal component. ▲

Do not remove the LCD panel or frame from the LCD module. ▲

The LCD polarizing plate is very fragile, handle it carefully. ▲

Do not wipe the LCD polarizing plate with a dry cloth, as it may easily scratch the plate. ▲

Do not use alcohol, acetone, MEK or other Ketone based or aromatic solvents to clean the LCD module, but rather use a soft cloth moistened with a naphtha cleaning solvent. ▲

Do not place the LCD module near organic solvents or corrosive gases. ▲

Do not shake or jolt the LCD module. ▲

1. Turn the instrument OFF, unplug the power cord, and remove the cover.
2. Disconnect the ribbon cable and the two-wire connector from the front panel board.
3. Remove the four screws at the corners of the LCD module.
4. Slide the LCD module out towards the center of the instrument.
5. Replace the LCD module by following the previous steps in reverse.

Note The optimal contrast will change from one LCD screen to another. After replacing the LCD screen, the contrast may need to be reset. If the content on the screen is visible, select Instrument Controls > **Screen Contrast** and adjust the screen contrast. If the content on the screen is not visible, use the “set contrast 10” C-Link command to set screen contrast to mid range, then optimize the contrast. See the “[C-Link Protocol Commands](#)” appendix for more information on this command. ▲

Service Locations

For additional assistance, service is available from exclusive distributors worldwide. Contact one of the phone numbers below for product support and technical information or visit us on the web at www.thermo.com/aqi.

1-866-282-0430 Toll Free

1-508-520-0430 International

Chapter 8

System Description

This chapter describes the function and location of the system components, provides an overview of the firmware structure, and includes a description of the system electronics and input/output connections and functions as follows:

- “[Hardware](#)” on page 8-1
- “[Firmware](#)” on page 8-4
- “[Electronics](#)” on page 8-5
- “[I/O Components](#)” on page 8-7

Hardware

Model 5014*i* hardware (Figure 8-1) includes:

- Primary measurement head
- Detector amplifier
- Cam photo interrupt board assembly
- Counter wheel interrupt board assembly
- Proportional valve
- Cam motor
- Tape motor
- Pressure board

System Description
Hardware

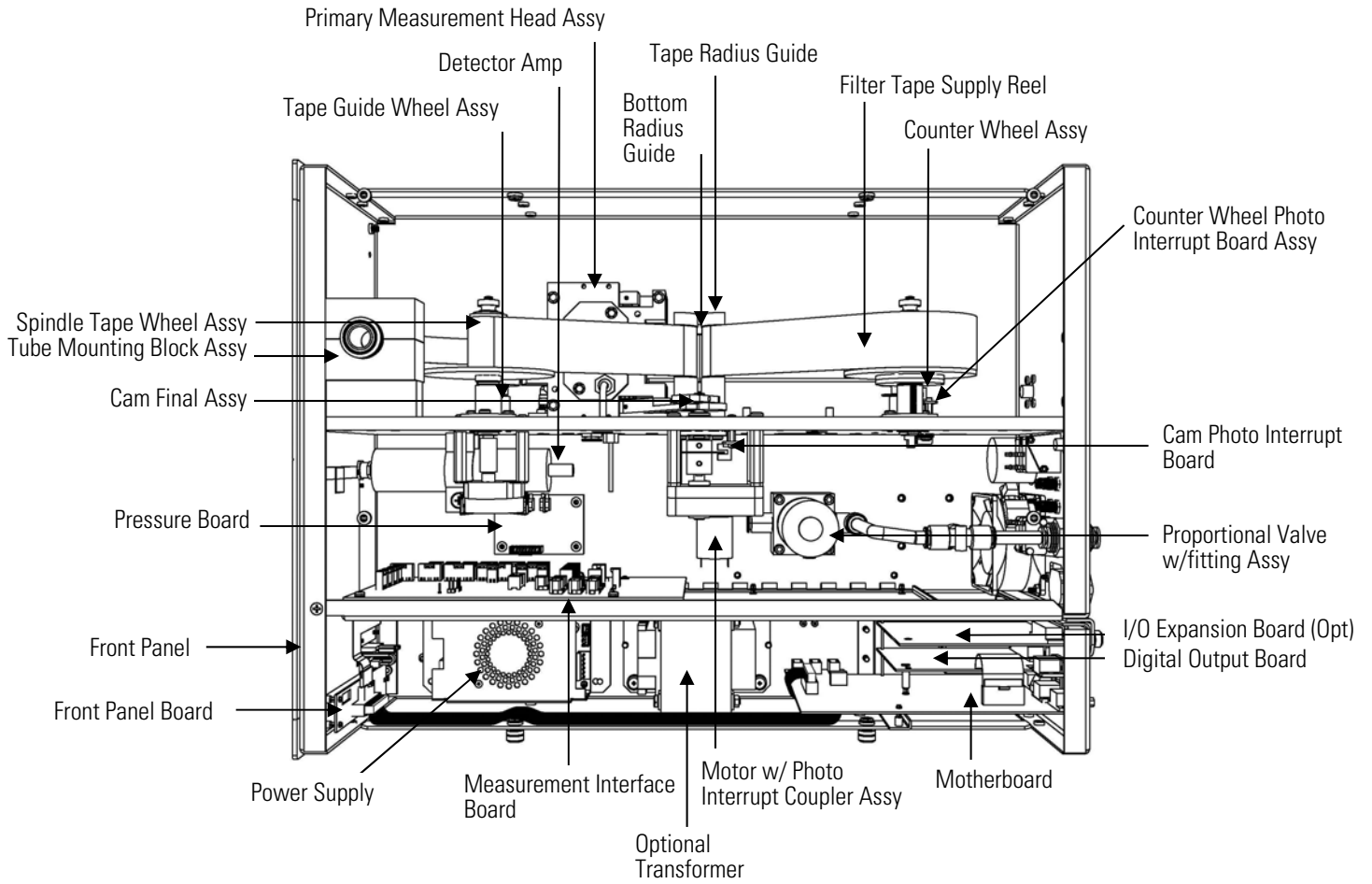


Figure 8-1. Hardware Components

Primary Measurement Head

The primary measurement head uses a beta source and proportional alpha/beta detector to measure the attenuation of beta particles by sampled aerosol across a glass fiber filter and to discriminate against any naturally occurring beta interferences from the daughter nuclides of alpha decay products.

Detector Amplifier

This cylindrical tube houses a printed circuit board, provides power to the proportional detector and amplifies the beta and alpha counts prior to being sent to the 5014*i* measurement interface board.

Cam Photo Interrupt Board

This small printed circuit board includes a photo-interrupter to detect the closed position of the measurement head. This is connected to a motor assembly used to open and close the measurement head.

Counter Wheel Interrupt Board Assembly

This small printed circuit board is mounted onto a chopper wheel that measures the amount of filter tape advanced during a filter tape change.

Proportional Valve

The proportional valve is a proportional solenoid valve that is used as a means of flow control. In response to the measured flow across a subsonic orifice, the proportional valve will either partially open or close to make a flow adjustment in real-time.

Cam Motor

This motor is used to drive the cam to rotate. By rotating the cam, the measurement head lever arm is raised and lowered for opening and closing the measurement head during a filter tape change.

Tape Motor

After the measurement head is opened, this motor is used to advance the filter tape a fixed amount prior to initiating another beta attenuation event on a fixed sample spot.

Pressure Board

This PCB assembly is mounted on the floor plate and has three pressure sensors attached. The pressure board is used to measure the barometric pressure, differential pressure across the orifice and vacuum under the filter tap. All tubing attached to the pressure board is numbered in case of the need to swap out this board.

Firmware

The processor firmware tasks are organized into four areas:

- Instrument control
- Monitoring signals
- Measurement calculations
- Output communication

Instrument Control

Low-level embedded processors are used to control the various functions on the boards, such as analog and digital I/O. These processors are controlled over a serial interface with a single high-level processor that also controls the front-panel user interface. The low-level processors all run a common piece of firmware that is bundled with the high-level firmware and loaded on power-up if a different version is detected.

Each board has a specific address that is used to identify to the firmware what functions are supported on that board. This address is also used for the communications between the low-level processors and the high-level processor.

Every tenth of a second, the frequency counters, analog I/O, and digital I/O are read and written to by the low-level processors. The counters are accumulated over the past second and the analog inputs are averaged over that second. The high-level processor polls the low-level processors once per second to exchange the measurement and control data.

Monitoring Signals

Signals are gathered from the low-level processors once per second, and then processed by the high-level processor to produce the final measurement values. The one-second accumulated counts are accumulated and reported for the user-specified averaging time. If this averaging time is greater than ten seconds, the measurement is still reported every 10 seconds. The one-second average of the other analog inputs are reported directly (no additional signal conditioning is performed by the high-level processor).

Output Communication

The front panel display, serial and Ethernet data ports, and analog outputs are the means of communicating the results of the above calculations. The front panel display presents the concentrations simultaneously. The display is updated every 1-10 seconds, depending on the averaging time.

The analog output ranges are user selectable via firmware. The analog outputs are defaulted based on the measurement range. Negative

concentrations can be represented as long as they are within -5% of full-scale. The zero and span values may be set by the user to any desired value.

Electronics

All electronics operate from a universal switching supply, which is capable of auto-sensing the input voltage and working over the all specified ranges.

External pumps and heaters all operate on 110 VAC. An optional transformer is required if operating on the 210-250 range.

An on/off switch controls all power to the analyzer and is accessible on the front panel.

Motherboard

The motherboard contains the main processor, power supplies, and a sub-processor, and serves as the communication hub for the instrument. The motherboard receives operator inputs from the front panel function keys and/or over I/O connections on the rear panel. The motherboard sends commands to the other boards to control the functions of the instrument and to collect measurement and diagnostic information. The motherboard outputs instrument status and measurement data to the graphics display and to the rear-panel I/O. The motherboard also contains I/O circuitry and the associated connector to monitor external digital status lines and to output analog voltages that represent the measurement data. Connectors located on the motherboard include:

External connectors include:

- External Accessory
- RS-232/485 Communications (two connectors)
- Ethernet Communications
- I/O connector with Power Fail Relay, 16 Digital Inputs, and 6 Analog Voltage Outputs.

Internal connectors include:

- Function Key Panel and Display
- Measurement Interface Board
- I/O Expansion Board
- Digital Output Board
- AC Distribution

Measurement Interface Board The measurement interface board serves as a central connection area for all measurement electronics in the instrument. It contains power supplies and interface circuitry for sensors and control devices in the measurement system. It sends status data to the motherboard and receives control signals from the motherboard.

Measurement Interface Board Connectors Connectors located on the measurement interface board include:

- Data communication with the motherboard
- 24 V and 120 VAC power supply inputs
- Fan and solenoid outputs
- 120 VAC output and thermistor input from the sample heater
- Flow and pressure sensor inputs
- Proportional valve output
- Optical pickup input
- Pre-amp board
- Ambient temperature/RTD and RH
- Flow RTDs

Flow Sensor System The flow sensor system consists of a subsonic orifice inside the primary measurement head, a differential pressure and vacuum sensors, and a flow temperature RTD. The flow system output is produced by measuring the pressure difference across a precision orifice. This unit is used for measuring the flow of sample gas in the measurement system.

Pressure Sensor Assembly The pressure sensor assembly consists of a board containing three pressure transducers with tube connections. The pressure transducer output is produced by measuring the pressure difference between the sample gas pressure and ambient air pressure.

Detector Amplifier Assembly The detector amplifier assembly amplifies the signal from the proportional detector that receives beta particle emissions from the C-14 source through the sample and filter tape. The output of the detector amplifier is fed to the measurement interface board. A coaxial cable from the detector amplifier supplies power and grounding to the detector.

Digital Output Board

The digital output board connects to the motherboard and provides solenoid driver outputs and relay contact outputs to a connector located on the rear panel of the instrument. Ten relay contacts, normally open (with power off), are provided, which are electrically isolated from each other. Eight solenoid driver outputs (open collector) are provided along with a corresponding +24 VDC supply pin on the connector.

I/O Expansion Board (Optional)

The I/O expansion board connects to the motherboard and adds the capability to input external analog voltage signals and to output analog currents via a connector located on the rear panel of the instrument. It contains local power supplies, a DC/DC isolator supply, a sub-processor and analog circuits. Eight analog voltage inputs are provided with an input voltage range of 0V to 10 VDC. Six current outputs are provided with a normal operating range of 0 to 20 mA.

Front Panel Connector Board

The front panel connector board interfaces between the motherboard and the function key panel and graphics display. It serves as a central location to tie the three connectors required for the function key panel, the graphics display control lines, and the graphics display backlight to a single ribbon cable extending back to the motherboard. This board also includes signal buffers for the graphics display control signals and a high voltage power supply for the graphics display backlight.

I/O Components

External I/O is driven from a generic bus that is capable of controlling the following devices:

- Analog output (voltage and current)
- Analog input (voltage)
- Digital output (TTL levels)
- Digital input (TTL levels)

Note The instrument has spare solenoid valve drivers and I/O support for future expansion. ▲

Analog Voltage Outputs

The instrument provides six analog voltage outputs. Each may be firmware configured for any one of the following ranges, while maintaining a minimum resolution of 12 bits:

- 0-100 mV
- 0-1 V
- 0-5 V
- 0-10 V

The user can calibrate each analog output zero and span point through the firmware. At least 5% of full-scale over and under range are also supported, but may be overridden in the firmware, if required.

The analog outputs may be assigned to any measurement or diagnostic channel with a user-defined range in the units of the selected parameter. The voltage outputs are independent of the current outputs.

Analog Current Outputs (Optional)

The optional I/O expansion board includes six isolated current outputs. These are firmware configured for any one of the following ranges, while maintaining a minimum resolution of 11 bits:

- 0-20 mA
- 4-20 mA

The user can calibrate each analog output zero and span point through the firmware. At least 5% of full-scale over and under range are also supported, but may be overridden in the firmware, if required.

The analog outputs may be assigned to any measurement or diagnostic channel with a user-defined range in the units of the selected parameter. The current outputs are independent of the voltage outputs. The current outputs are isolated from the instrument power and ground, but they share a common return line (Isolated GND).

Analog Voltage Inputs (Optional)

The optional I/O expansion board includes eight analog voltage inputs. These inputs are used to gather measurement data from third-party devices such as meteorological equipment. The user may assign a label, unit, and a conversion table (2 to 10 points). Each point in the conversion table consists of an analog input voltage value (0-10.5 V) and a corresponding user-defined reading value. Only two points are necessary for linear inputs, however, a larger number of points may be used to approximate non-linear inputs. All voltage inputs have a resolution of 12 bits over the range of 0 to 10 volts.

Digital Relay Outputs

The instrument includes one power fail relay on the motherboard and ten digital output relays on the digital output board. These are reed relays rated for at least 500 mA @ 200 VDC.

The power fail relay is Form C (both normally opened and normally closed contacts). All other relays are Form A (normally opened contacts) and are used to provide alarm status and mode information from the analyzer, as well as remote control to other devices, such as for controlling valves during calibration. The user may select what information is sent out from each relay and whether the active state is opened or closed.

Digital Inputs

Sixteen digital inputs are available, which may be programmed to signal instrument modes and special conditions including:

- Filter tape change
- Turn pump off
- Turn pump on
- Analog outputs to zero
- Analog outputs to full-scale

The actual use of these inputs will vary based on analyzer configuration.

The digital inputs are TTL level compatible and are pulled up within the analyzer. The active state can be user defined in firmware.

Serial Ports

Two serial ports allow daisy chaining so that multiple analyzers may be linked using one PC serial port.

The standard bi-directional serial interface can be configured for either RS-232 or RS-485. The serial baud rate is user selectable in the firmware for standard speeds from 1200 to 115200 baud. The user can also set the data bits, parity, and stop bits. The following protocols are supported:

- C-Link
- MODBUS Slave
- Gesytec (Bayern-Hessen)
- Streaming Data
- ESM

The Streaming Data protocol transmits user-selected measurement data via the serial port in real-time for capture by a serial printer, datalogger, or PC.

RS-232 Connection

A null modem (crossed) cable is required when connecting the analyzer to an IBM-compatible PC. However, a straight cable (one to one) may be required when connecting the analyzer to other remote devices. As a general rule, when the connector of the host remote device is female, a straight cable is required and when the connector is male, a null modem cable is required.

Data Format:

1200, 2400, 4800, 9600, 19200, 38400, 57600, or 115200 BAUD

7 or 8 data bits

1 or 2 stop bits

No, odd, or even parity

All responses are terminated with a carriage return (hex 0D)

Refer to [Table 8–1](#) for the DB9 connector pin configuration.

Table 8–1. RS-232 DB9 Connector Pin Configuration

DB9 Pin	Function
2	RX
3	TX
7	RTS
8	CTS
5	Ground

RS-485 Connection

The instrument uses a four wire RS-485 configuration with automatic flow control (SD). Refer to [Table 8–2](#) for the DB9 connector pin configuration.

Table 8–2. RS-485 DB9 Connector Pin Configuration

DB9 Pin	Function
2	+ receive
8	- receive
7	+ transmit
3	- transmit
5	ground

Ethernet Connection

An RJ45 connector is used for the 10Mbps Ethernet connection supporting TCP/IP communications via standard IPV4 addressing. The IP address may be configured for static addressing or dynamic addressing (set using a DHCP server).

Any serial port protocols may be accessed over Ethernet in addition to the serial port. Up to three simultaneous connections are allowed per protocol.

External Accessory Connector

The external accessory connector is not used in the Model 5014*i* analyzer.

This port is used in other models to communicate with smart external devices that may be mounted hundreds of feet from the analyzer using an RS-485 electrical interface.

Chapter 9

Optional Equipment

The Model 5014*i* is available with the following options:

- “Inlet Assemblies” on page 9-1
- “Sampling Tube Extensions” on page 9-1
- “I/O Expansion Board Assembly” on page 9-1
- “25 Pin Terminal Board Assembly” on page 9-1
- “Terminal Block and Cable Kits” on page 9-2
- “Cables” on page 9-2
- “Mounting Options” on page 9-3
- “Roof Flange Assembly” on page 9-8

Inlet Assemblies

The Model 5014*i* can be used for different applications. Using different inlet configurations (PM₁₀, PM_{2.5}, PM₁ Inlets), several particle size fractions can be monitored. The main application is the measurement of PM₁₀ and PM_{2.5} for ambient air quality monitoring and health effect studies.

Sampling Tube Extensions

Often the most compatible way to install the Model 5014*i* at air quality monitoring sites is to collocate the inlet at the same height as other similar-use inlets. The “[Installation](#)” chapter discusses specific siting criteria. In addition to using the optional inlets, extending the sample downtube length is necessary using a rigid sample tube.

I/O Expansion Board Assembly

The I/O expansion board provides six analog current output channels (0-20 mA or 4-20 mA) and eight analog voltage inputs (0-10 V). The DB25 connector on the rear panel provides the interface for these inputs and outputs.

25 Pin Terminal Board Assembly

The 25-pin terminal board assembly is included with the optional I/O expansion board. Refer to “[Terminal Board PCB Assemblies](#)” in the “[Installation](#)” chapter for information on attaching the cable to the

connector board. For associated part numbers, refer to the “[Servicing](#)” chapter.

Terminal Block and Cable Kits

The optional terminal block and cable kits provide a convenient way to connect devices to the instrument. These kits break out the signals on the rear panel connector to individual numbered terminals.

Two types of terminal block and cable kits are available. One kit is for the DB37 connectors and can be used for either the analog output connector or the relay output connector. The other kit is for the DB25 connector and can be used for the optional I/O expansion board. For associated part numbers, refer to “[External Device Connection Components](#)” on page 7-7.

Each kit consists of:

- one six-foot cable
- one terminal block
- one snap track

Note Supporting all of the connections on units with the optional I/O expansion board requires:

- two DB37 kits
- one DB25 kit

Cables

[Table 9–1](#) identifies the optional individual cables that are available for the instrument and [Table 9–2](#) provides the cable color codes. For associated part numbers, refer to “[External Device Connection Components](#)” on page 7-7.

Note [Table 9–2](#) provides the color coding for both 25-pin cables and 37-pin cables. Color codes for pins 1–25 are for 25-pin cables; color codes for pins 1–37 are for 37-pin cables. ▲

Table 9–1. Cable Options

Description	Cable Length
DB37M to open end	Six feet
DB37F to open end	Six feet
DB25M to open end	Six feet
RS-232	Six feet

Table 9–2. Color Codes for 25-Pin and 37-Pin Cables

Pin	Color	Pin	Color
1	BLACK	20	RED/BLACK
2	BROWN	21	ORANGE/BLACK
3	RED	22	YELLOW/BLACK
4	ORANGE	23	GREEN/BLACK
5	YELLOW	24	GRAY/BLACK
6	GREEN	25	PINK/BLACK
7	BLUE	End color codes for 25-pin cables continue for 37-pin cables.	
8	VIOLET	26	PINK/GREEN
9	GRAY	27	PINK/RED
19	WHITE	28	PINK/VIOLET
11	PINK	29	LIGHT BLUE
12	LIGHT GREEN	30	LIGHT BLUE/BROWN
13	BLACK/WHITE	31	LIGHT BLUE/RED
14	BROWN/WHITE	32	LIGHT BLUE/VIOLET
15	RED/WHITE	33	LIGHT BLUE/BLACK
16	ORANGE/WHITE	34	GRAY/GREEN
17	GREEN/WHITE	35	GRAY/RED
18	BLUE/WHITE	36	GRAY/VIOLET
19	VIOLET/WHITE	37	LIGHT GREEN/BLACK

Mounting Options

The analyzer can be installed in the configuration described in [Table 9–3](#) and shown in [Figure 9–1](#) through [Figure 9–4](#).

Table 9–3. Mounting Options

Mounting Type	Description
Bench	Positioned on bench, includes mounting feet and front panel side-trim handles.
EIA rack (top position)	Mounted in an EIA-style rack, includes mounting slides and front panel EIA-rack mounting handles.
Retrofit rack (top position)	Mounted in an EIA-style rack, includes mounting slides and front panel EIA-rack mounting handles. This configuration is intended for direct replacement of a C-series instrument in an existing rack. The rail mounting location is lower on the case and the front mounting screw slots have non-standard EIA locations.

Optional Equipment
Mounting Options

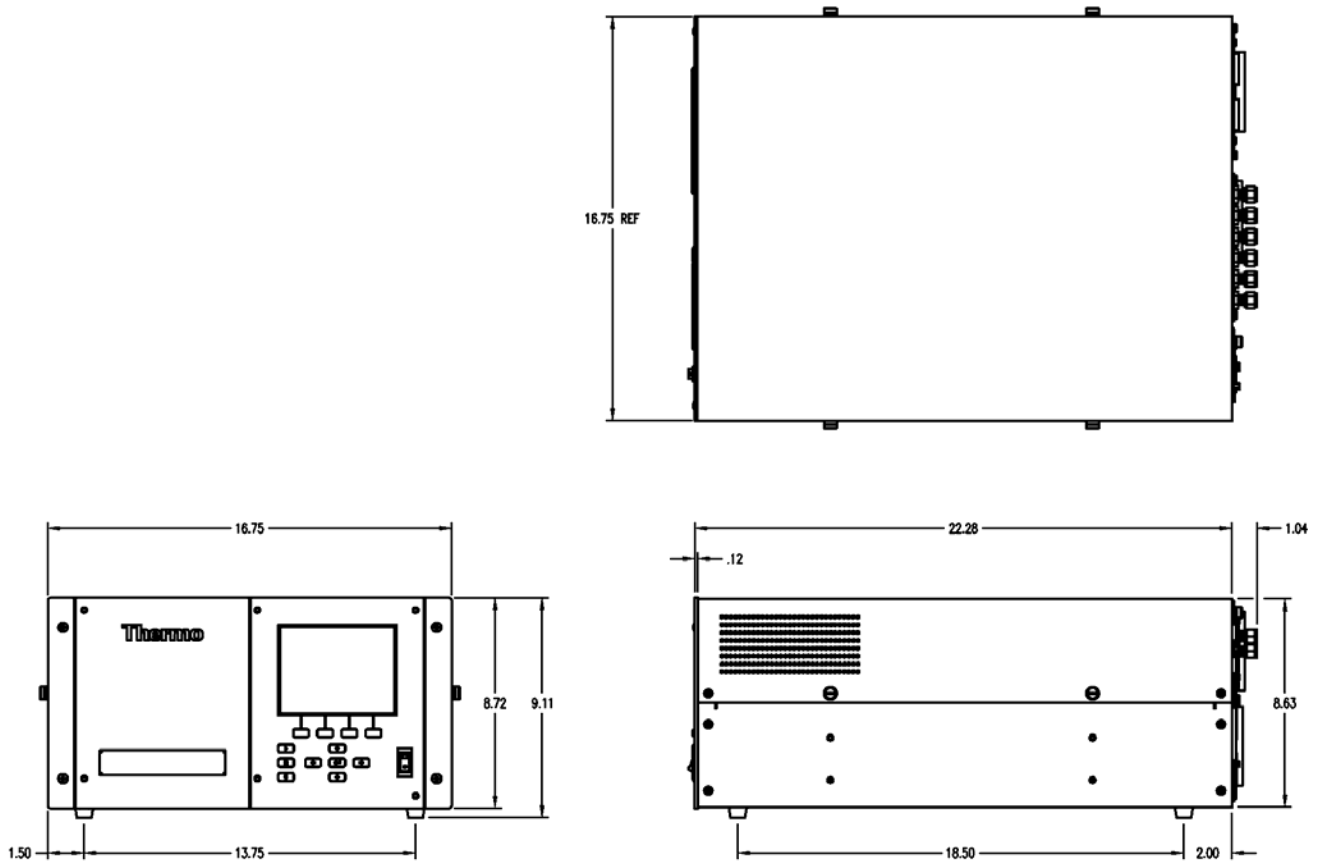


Figure 9-1. Bench Mounting

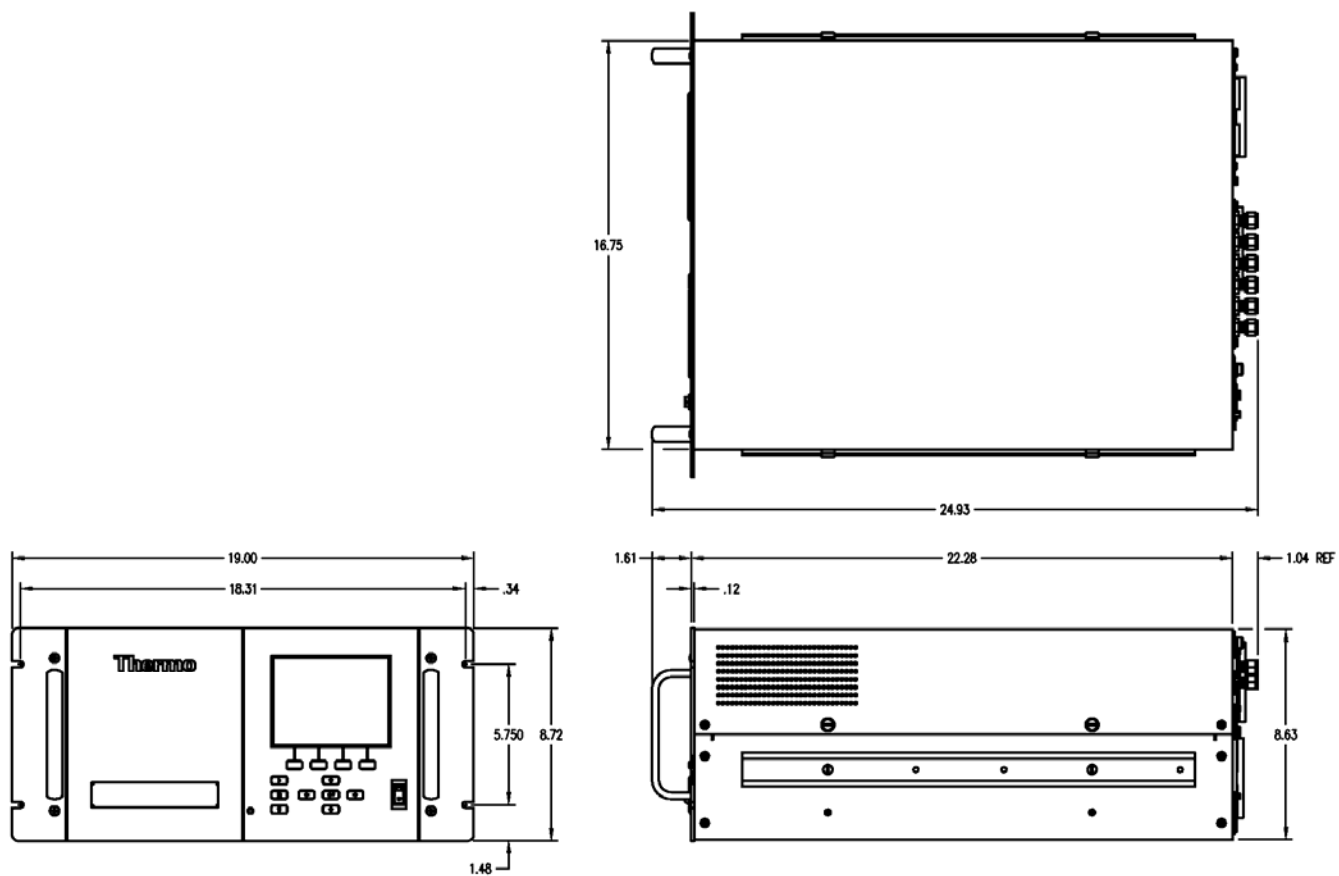


Figure 9–2. EIA Rack Mounting

Optional Equipment
Mounting Options

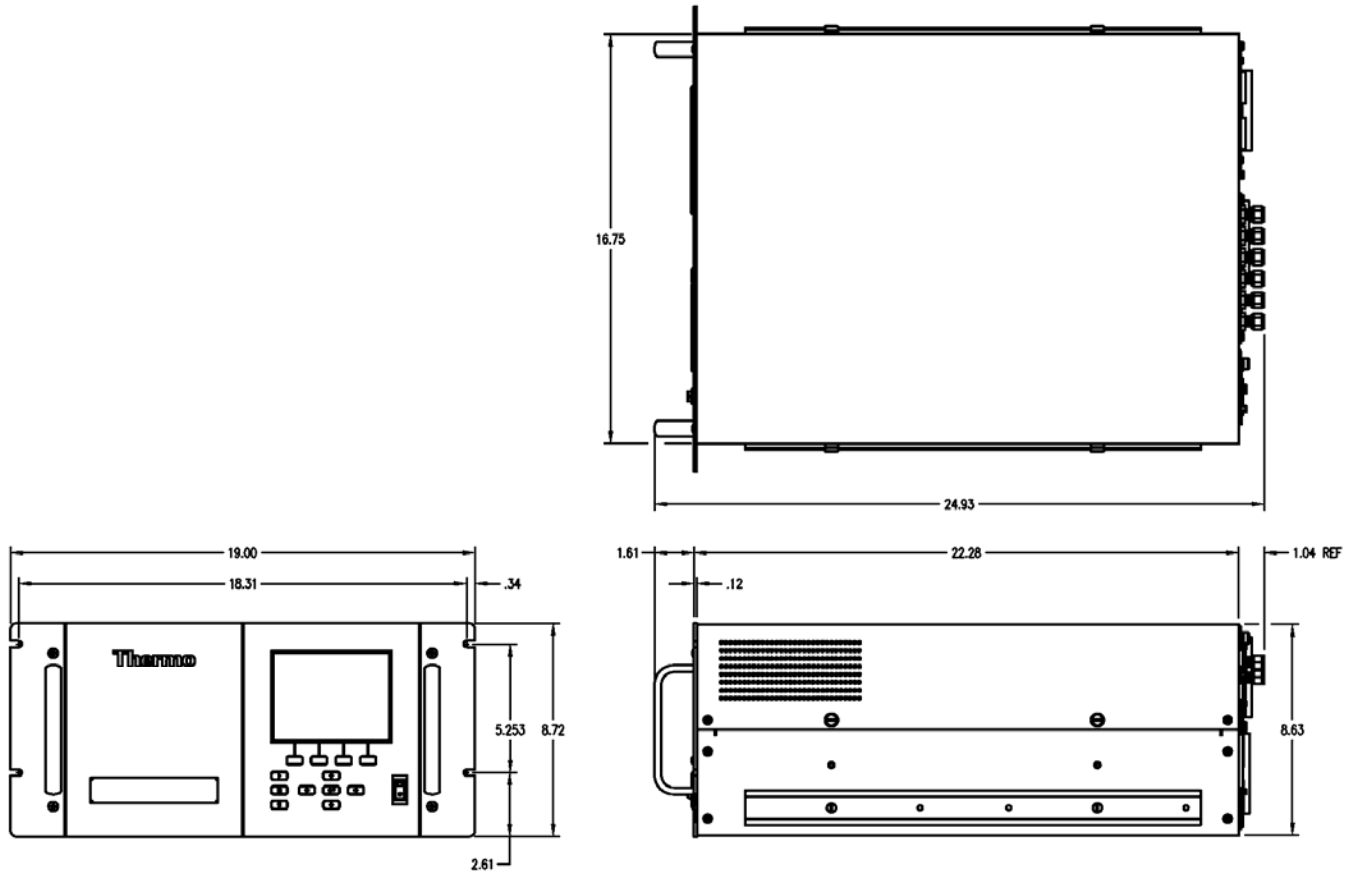


Figure 9-3. Retrofit Rack Mounting

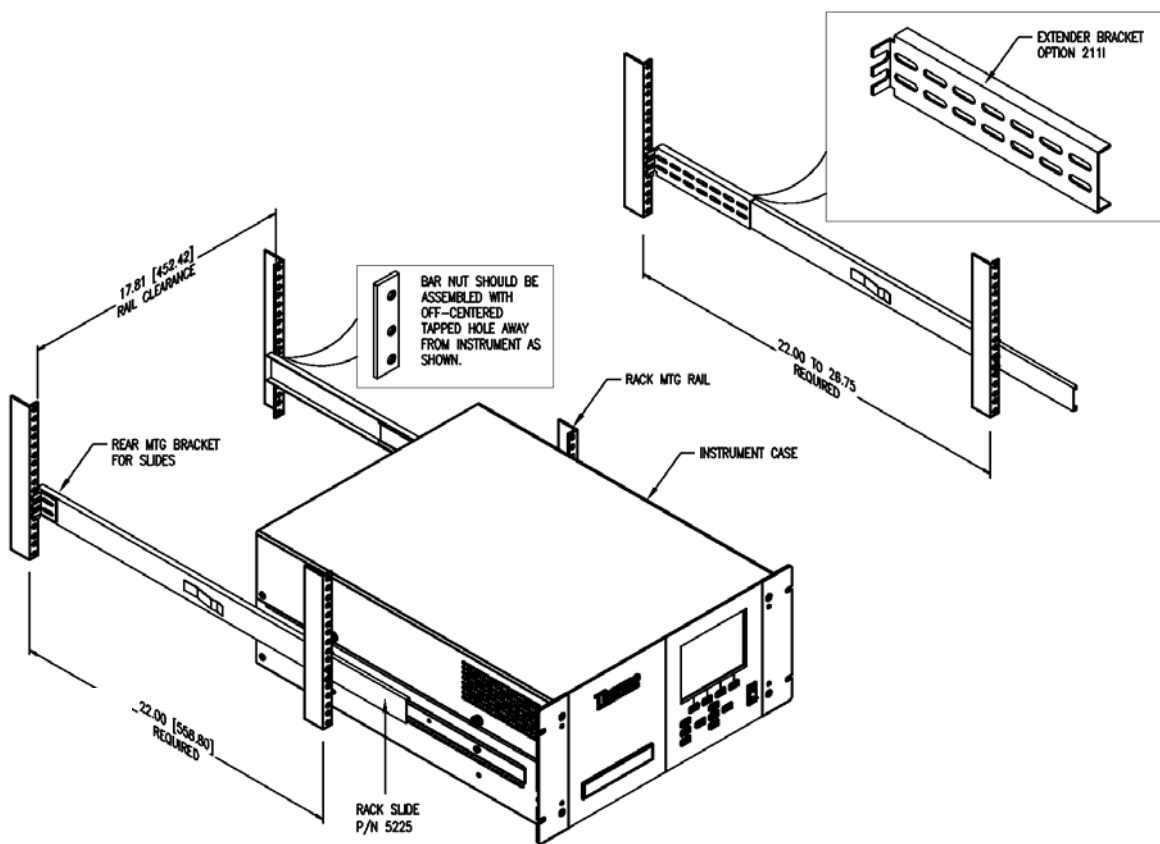


Figure 9-4. Rack Mount Option Assembly

Roof Flange Assembly

An optional roof flange assembly can be used with flat roof applications, as shown in Figure 9-5. This roof flange assembly uses 3" PVC tubing, fittings and roof flange with gasketing. The installer must assure a water tight installation when using a flange of this design. A 2-1/2" circular hole should be drilled through the roofline of the the enclosure, or building, if it has a flat roof. The roof surface should be clean and swept of all debris. The flange should be centered over the hole that has been drilled. A generous bead of RTV or silicone sealant should be applied to the circumference of the joints shown in Figure 9-5.

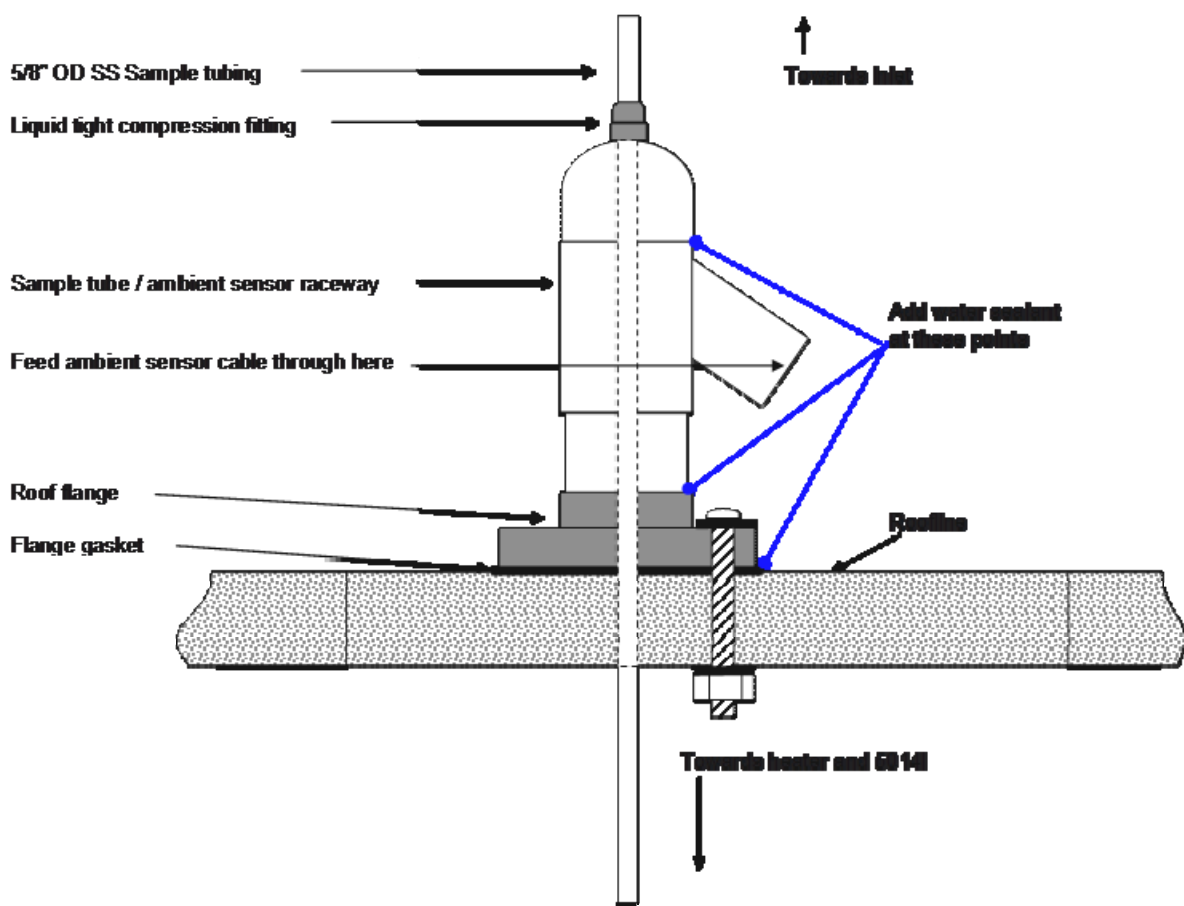


Figure 9-5. Roof Flange Assembly

The flange design also has four holes that can be used to secure the flange to the roof surface by the use of carriage bolts, washers and nuts. The length of the carriage bolts depends on the thickness of the roofline. [Figure 9-6](#) shows a picture of the roof flange that is used with this assembly.

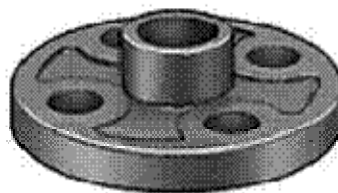


Figure 9-6. Securing the Roof Flange

Chapter 10

Model 5014*i* to 5030*i* Upgrade Procedures

This chapter describes the 5014*i* to 5030*i* upgrade procedures. For details, see the following topics:

- “Instrument Preparation” on page 10-1
- “SHARP Connection Bracket Assembly Installation” on page 10-2
- “Radius Tube Adapter Installation” on page 10-5
- “SHARP External Valve Installation” on page 10-7
- “SHARP Optics Assembly Installation” on page 10-9
- “Upgrade of the Heater Tube Assembly” on page 10-10
- “Model Label Change” on page 10-11
- “Power On Instrument” on page 10-11

Instrument Preparation

Use the following procedure to prepare the instrument.

1. If upgrading at an installed site, take the appropriate measures to secure the sample downtube and remove the instrument heater assembly and set aside.
2. From Instrument Panel, select Main Menu, select Instrument Controls and then Service Mode. Toggle to “Service Mode On”.
3. From Instrument Panel, select Filter Tape, and then Manual, and select the BENCH to open.
4. From Instrument Panel, select Diagnostics, Instrument Configuration, and change the DETECTOR configuration from BETA to SHARP.
5. Turn instrument power off with the measurement head in the open position.

6. Unplug instrument from AC power source.

```
INSTRUMENT CONFIGURATION:
>I/O EXPANSION BOARD YES
DETECTOR BETA
DETECTOR B NONE

◀▶ CHANGE VALUE   ◀ SAVE

RANGE  AVG  DIAGS  ALARM
```

SHARP Connection Bracket Assembly Installation

Use the following procedure for SHARP connection bracket assembly installation.

1. Locate the Connection Bracket (Figure 10–1) and remove two screws and set aside.

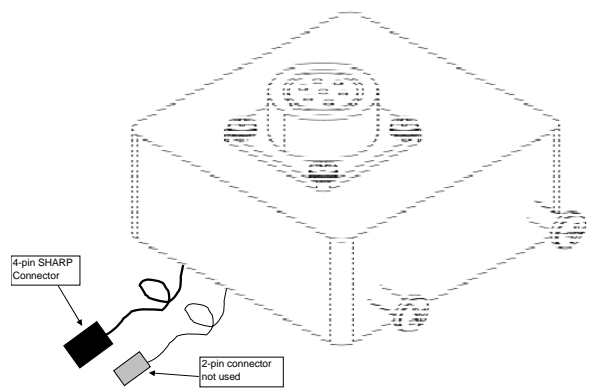


Figure 10–1. SHARP Optics Connection Bracket

2. Remove both sides of the Cover. Remove the tape pick up spool (Figure 10–2) by removing the thumb screw, washer, filter tape, spacers, o-rings and rear filter support guide plate.

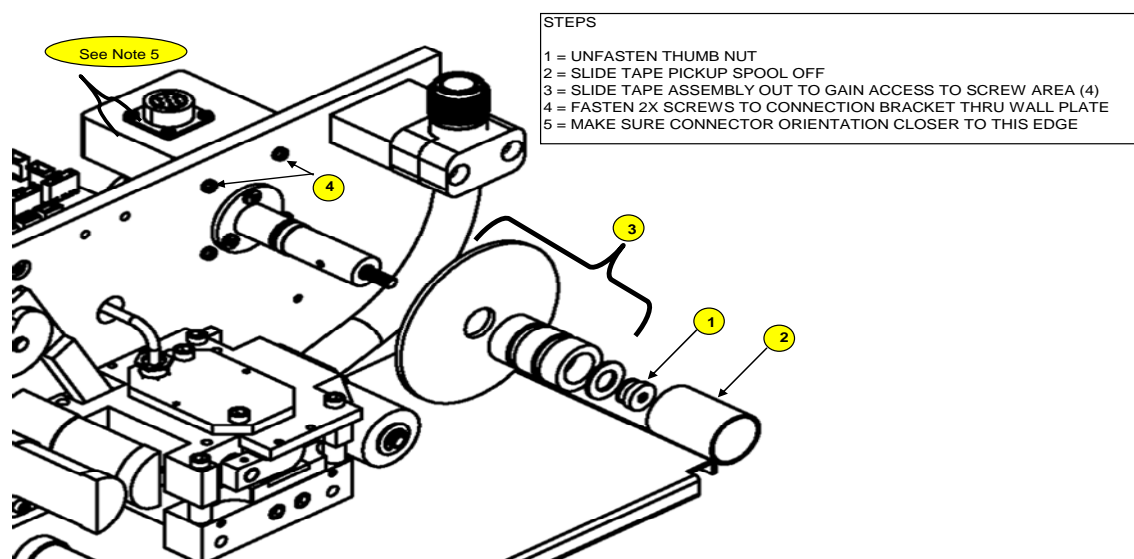


Figure 10–2. Tape Pick-up Spool Removal

3. Remove the two Philips screws from the connection bracket and align the bracket onto the wall plate, as shown above in Step 4, and insert the two screws through the wall plate and tighten.
4. Reinstall the tape pickup spool in the reverse order of removal in Step 2 by sliding all the spacers, O-rings and rear support guide plate into its original assembly order.
5. Install the filter tape following the filter tape path shown in [Figure 10–3](#). Use adhesive tape to adhere the filter tape to the take up spool and wind the tape over itself at least once.

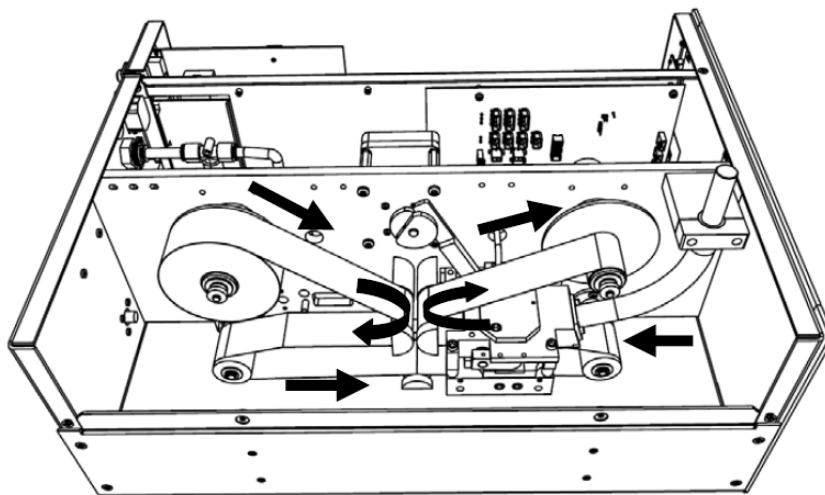


Figure 10–3. Filter Tape Installation Pathway

6. Complete the installation of the SHARP Optics Connection Bracket by connecting the 4-pin connector to the “SHARP 1” connector on the measurement interface board as shown below in [Figure 10–4](#).

Note It should not be necessary to remove the electronics from the instrument case to achieve this connection and the spare 2-pin connector is not used. ▲

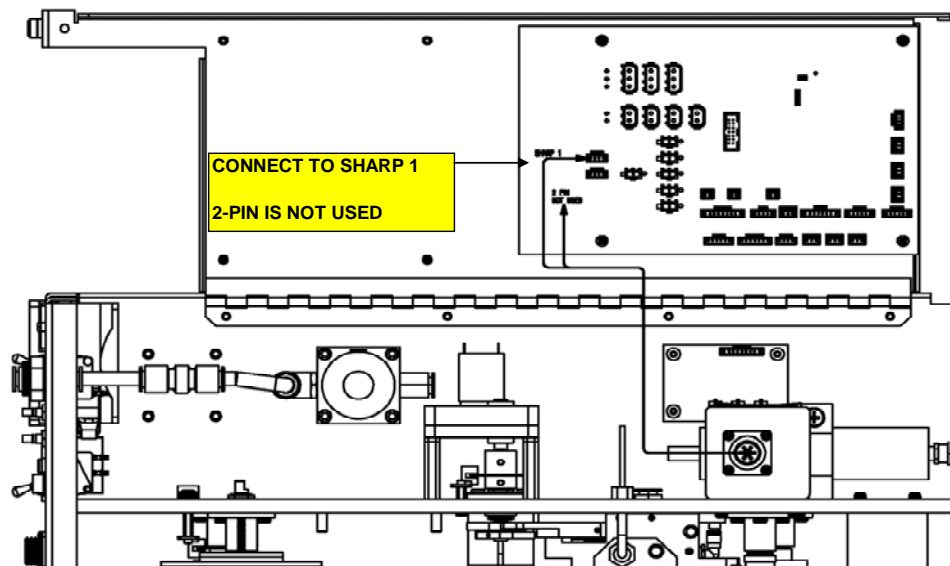


Figure 10–4. Connecting Connection Bracket Wiring to Measurement Interface Board

Radius Tube Adapter Installation

Use the following procedure for radius tube adapter installation.

1. Loosen the Radius Tube Mounting bracket screws.
2. Slide back bracket downwards.
3. Slowly remove the existing Radius Face Seal by pulling straight up with a twisting action.
4. Slowly insert the Radius Tube Adapter onto the Radius Tube and push down with a slight twist until it is seated.
5. Tighten the radius tube mounting bracket screws as shown in [Figure 10–5](#).

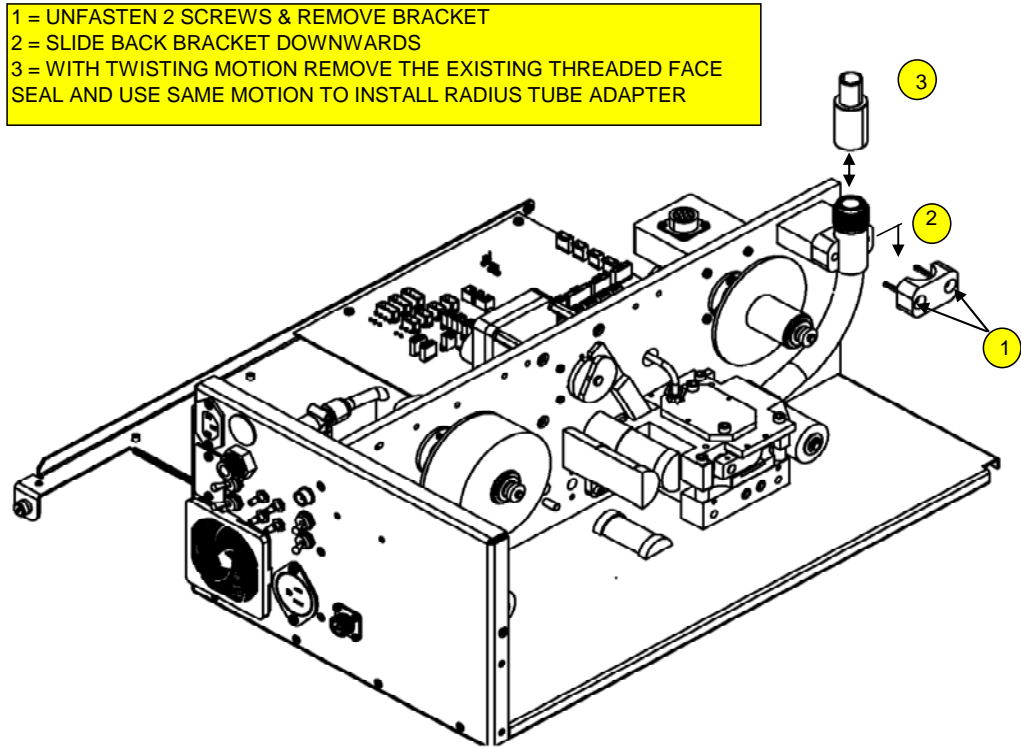


Figure 10–5. Radius Tube Adapter Install

6. Reassemble the two covers of the instrument in reverse order and check alignment of radius tube adapter through the hole in the cover as shown in **Figure 10–6**. Be sure to remove the old dust cover cap and the large plastic hole cover.

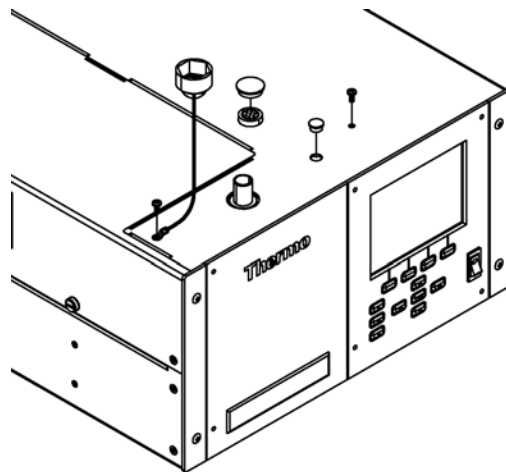


Figure 10–6. Radius Tube Adapter Alignment Check

SHARP External Valve Installation

Use the following procedure for SHARP external valve installation.

1. Attach the SHARP External Valve Assembly (which includes the to the Rear Panel using the captive hardware on bracket and attach the 3-pin connector to the rear panel labeled valve (Figure 10–7).

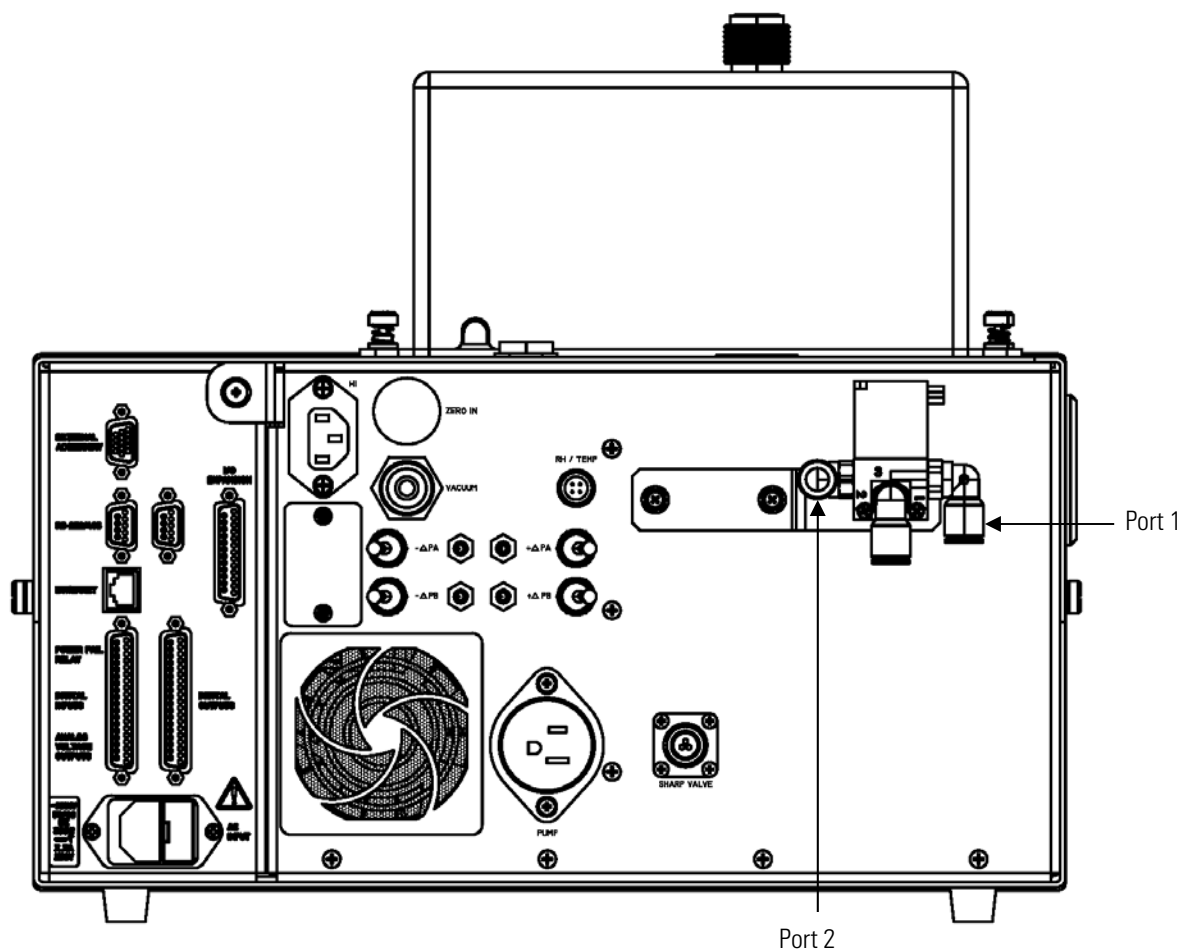


Figure 10–7. Rear Valve Assembly Installation

2. Follow the following plumbing procedure in accordance with Figure 10–8 below.
 - a. Attach the 3/8” vacuum tubing between pump intake and the vacuum port on rear panel and include the push-to-connect “T” fitting with the 0.040” thru-hole on the T-side in this line.
 - b. From the valve assembly that is now attached to the rear panel, connect the threaded fitting to the pump exhaust.

- c. Connect the 3/8" tubing with inline HEPA filter to the available port (Port #1) on the external valve assembly using the available push connect fitting.

Note This step can also be delayed until after the zero air delivery tube and T-fitting are installed at the sample intake. ▲

- d. At the sample inlet, attach the stainless steel T-fitting to the sample downtube and tighten the swagelok fitting with Teflon ferrules—do not overtighten these ferrules.
- e. Snake the green vacuum tubing downwards towards the rear valve assembly and attach to Port #1 of the valve. If this is a field installation, proper water sealants should be used to avoid any leakage into the instrument.

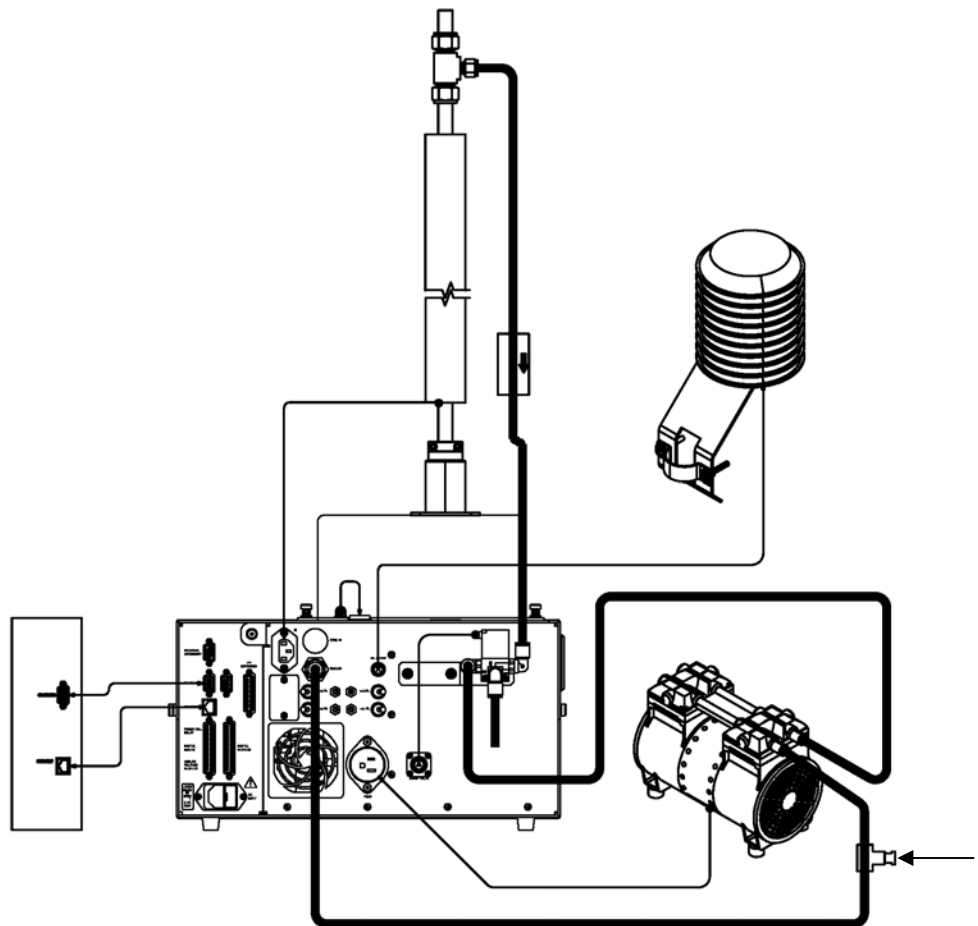


Figure 10–8. Plumbing Diagram

SHARP Optics Assembly Installation

Use the following procedure for SHARP external valve installation.

1. Remove the SHARP Optics Assembly port protection caps and plugs.
2. Align the radius tube adapter with the open port on the bottom of the optics assembly as per [Figure 10–9](#) and gently push down and then screw down the two tabs using the captive hardware.

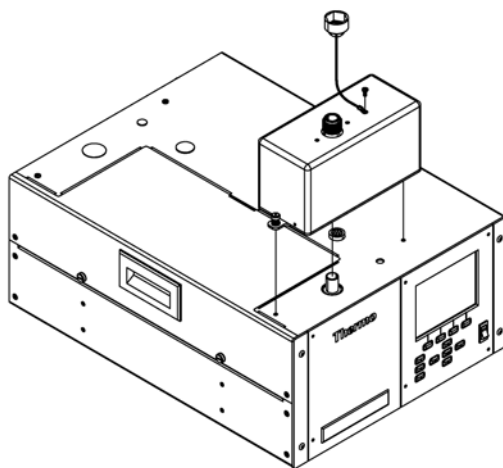


Figure 10–9. Optics Installation

3. Connect the cable assembly from the rear panel of the Optical assembly and secure it to the optics connector that was installed in Step 3 of this procedure and as shown in [Figure 10–10](#).

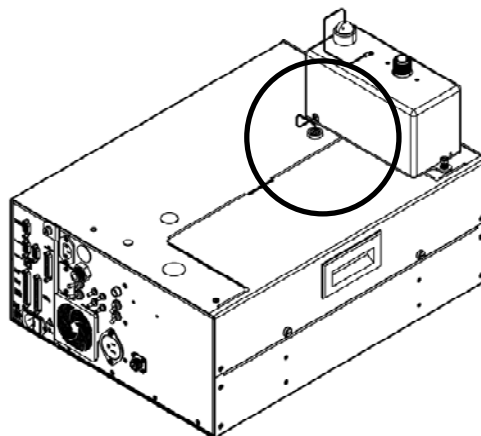


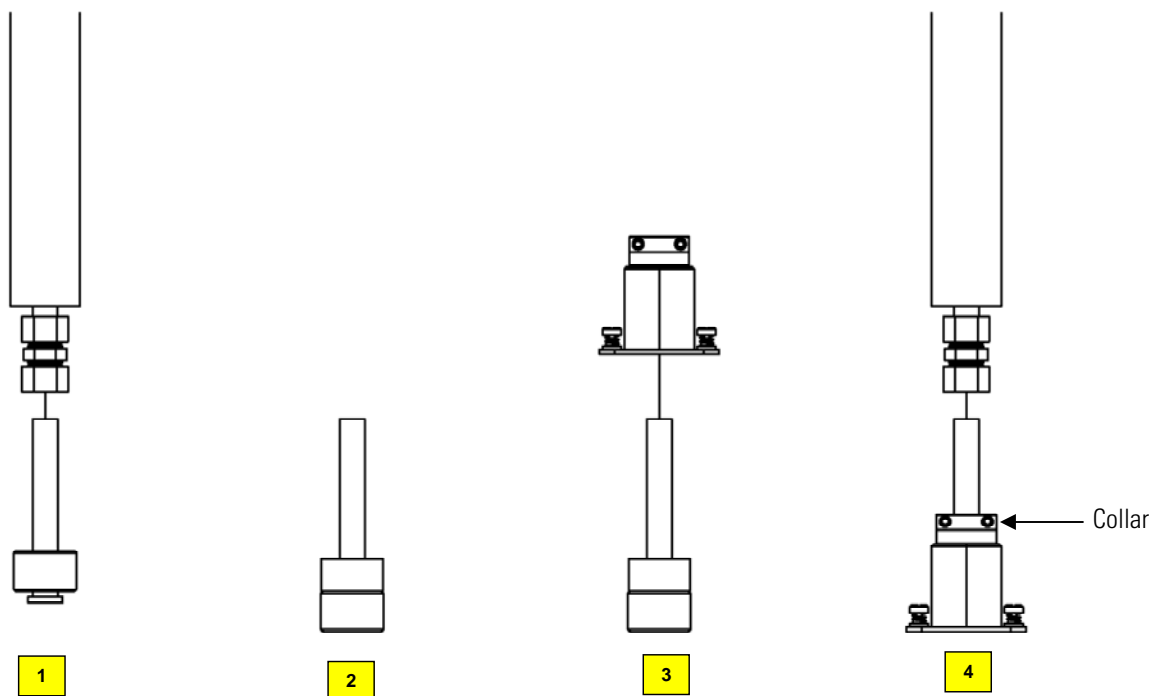
Figure 10–10. Connecting the Optics to the Optics Connector

Upgrade of the Heater Tube Assembly

Use the following procedure for upgrade of the heater tube assembly.

1. The heater assembly needs to be revised for the 5030i SHARP to include a ferrite bead and a small faraday cage. The four steps shown below in Figure 10–11 and Figure 10–12 should be used to modify the heater assembly.

Note The sample downtube should be slightly loose at the roof line to allow vertical play while working on this assembly. If the tubing height has changed and needs to be cut back, please cut and clean the tubing before attaching to the optical assembly. ▲



- 1) Remove existing stainless knurled nut from heater assembly
- 2) Install black plastic knurled nut on top of optical assembly and tighten firmly; and slide ferrite bead around short stainless tube.
- 3) Slide black housing over both ferrite bead and black plastic nut and attach the two captive screws to the top of the optical assembly.
- 4) Tighten both hex screws to close collar.
- 5) Connect the heater tube assembly to the top of the stainless tube and tighten the Teflon ferrule swage fitting..

Figure 10–11. Upgrading 5030i Heater Assembly

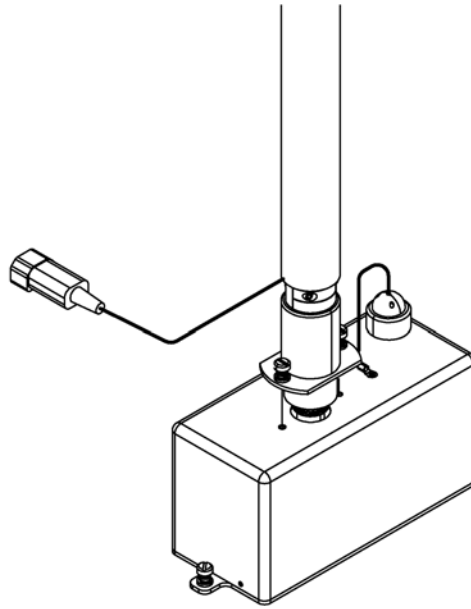


Figure 10–12. Connecting Heater to Optics Assembly Cover

Model Label Change

Use the following procedure for model label change.

1. Remove the 5014*i* label and replace with the new 5030*i* SHARP Label on the front panel Front Panel in accordance with [Figure 10–13](#) below.

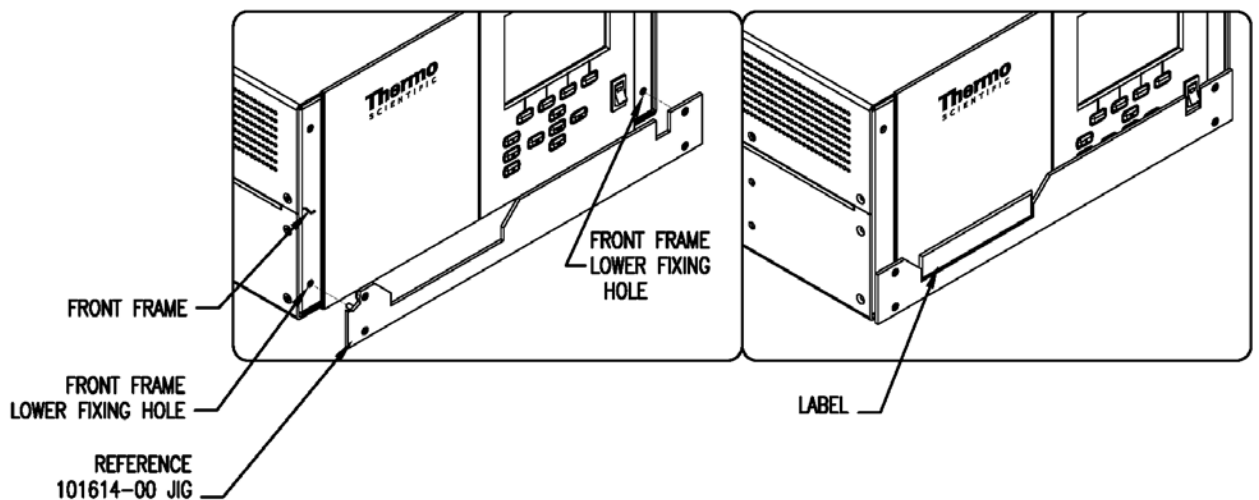


Figure 10–13. Front Panel Label Replacement

Power On Instrument

Upgrade is complete.

Appendix A

Warranty

Seller warrants that the Products will operate or perform substantially in conformance with Seller's published specifications and be free from defects in material and workmanship, when subjected to normal, proper and intended usage by properly trained personnel, for the period of time set forth in the product documentation, published specifications or package inserts. If a period of time is not specified in Seller's product documentation, published specifications or package inserts, the warranty period shall be one (1) year from the date of shipment to Buyer for equipment and ninety (90) days for all other products (the "Warranty Period"). Seller agrees during the Warranty Period, to repair or replace, at Seller's option, defective Products so as to cause the same to operate in substantial conformance with said published specifications; provided that (a) Buyer shall promptly notify Seller in writing upon the discovery of any defect, which notice shall include the product model and serial number (if applicable) and details of the warranty claim; (b) after Seller's review, Seller will provide Buyer with service data and/or a Return Material Authorization ("RMA"), which may include biohazard decontamination procedures and other product-specific handling instructions; and (c) then, if applicable, Buyer may return the defective Products to Seller with all costs prepaid by Buyer. Replacement parts may be new or refurbished, at the election of Seller. All replaced parts shall become the property of Seller. Shipment to Buyer of repaired or replacement Products shall be made in accordance with the Delivery provisions of the Seller's Terms and Conditions of Sale. Consumables, including but not limited to lamps, fuses, batteries, bulbs and other such expendable items, are expressly excluded from the warranty under this warranty.

Notwithstanding the foregoing, Products supplied by Seller that are obtained by Seller from an original manufacturer or third party supplier are not warranted by Seller, but Seller agrees to assign to Buyer any warranty rights in such Product that Seller may have from the original manufacturer or third party supplier, to the extent such assignment is allowed by such original manufacturer or third party supplier.

In no event shall Seller have any obligation to make repairs, replacements or corrections required, in whole or in part, as the result of (i) normal wear and tear, (ii) accident, disaster or event of force majeure, (iii) misuse, fault or negligence of or by Buyer, (iv) use of the Products in a manner for which

they were not designed, (v) causes external to the Products such as, but not limited to, power failure or electrical power surges, (vi) improper storage and handling of the Products or (vii) use of the Products in combination with equipment or software not supplied by Seller. If Seller determines that Products for which Buyer has requested warranty services are not covered by the warranty hereunder, Buyer shall pay or reimburse Seller for all costs of investigating and responding to such request at Seller's then prevailing time and materials rates. If Seller provides repair services or replacement parts that are not covered by the warranty provided in this warranty, Buyer shall pay Seller therefor at Seller's then prevailing time and materials rates. ANY INSTALLATION, MAINTENANCE, REPAIR, SERVICE, RELOCATION OR ALTERATION TO OR OF, OR OTHER TAMPERING WITH, THE PRODUCTS PERFORMED BY ANY PERSON OR ENTITY OTHER THAN SELLER WITHOUT SELLER'S PRIOR WRITTEN APPROVAL, OR ANY USE OF REPLACEMENT PARTS NOT SUPPLIED BY SELLER, SHALL IMMEDIATELY VOID AND CANCEL ALL WARRANTIES WITH RESPECT TO THE AFFECTED PRODUCTS.

THE OBLIGATIONS CREATED BY THIS WARRANTY STATEMENT TO REPAIR OR REPLACE A DEFECTIVE PRODUCT SHALL BE THE SOLE REMEDY OF BUYER IN THE EVENT OF A DEFECTIVE PRODUCT. EXCEPT AS EXPRESSLY PROVIDED IN THIS WARRANTY STATEMENT, SELLER DISCLAIMS ALL OTHER WARRANTIES, WHETHER EXPRESS OR IMPLIED, ORAL OR WRITTEN, WITH RESPECT TO THE PRODUCTS, INCLUDING WITHOUT LIMITATION ALL IMPLIED WARRANTIES OF MERCHANTABILITY OR FITNESS FOR ANY PARTICULAR PURPOSE. SELLER DOES NOT WARRANT THAT THE PRODUCTS ARE ERROR-FREE OR WILL ACCOMPLISH ANY PARTICULAR RESULT.

Appendix B

C-Link Protocol Commands

This appendix provides a description of the C-Link protocol commands that can be used to remotely control a Model 5014*i* analyzer using a host device such as a PC or a datalogger. C-Link protocol may be used over RS-232, RS-485, or Ethernet. C-Link functions can be accessed over Ethernet using TCP port 9880.

Streaming data is sent out the serial port or the Ethernet port on a user-defined periodic basis. Streaming data over Ethernet is only generated when a connection is made on TCP port 9881.

Up to three simultaneous connections per protocol may be made over Ethernet.

For details, see the following topics:

- “Instrument Identification Number” on page B-1
- “Commands” on page B-2
- “Measurements” on page B-9
- “Alarms” on page B-11
- “Diagnostics” on page B-17
- “Datalogging” on page B-20
- “Calibration” on page B-27
- “Keys/Display” on page B-34
- “Measurement Configuration” on page B-35
- “Hardware Configuration” on page B-41
- “Communications Configuration” on page B-43
- “I/O Configuration” on page B-50
- “Record Layout Definition” on page B-55

Instrument Identification Number

Each command sent to the analyzer over the serial port must begin with the American Standard Code for Information Interchange (ASCII) symbol or byte value equivalent to the instrument’s identification number plus 128.

For example, if the instrument ID is set to 14, then each command must begin with the ASCII character code 142 decimal. The analyzer ignores any command that does not begin with its instrument identification number. If the instrument ID is set to 0, then this byte is not required. For more information on changing Instrument ID, see Chapter 3, “[Operation](#)”.

Commands

The analyzer must be in the remote mode and service mode not active in order to change instrument parameters remotely. However, the command “set mode remote” can be sent to the analyzer to put it in the remote mode. Report commands (commands that don’t begin with “set”) can be issued either in the remote or local mode, regardless of the service mode setting. For information on changing modes, see Chapter 3, “[Operation](#)”.

The commands are not case sensitive. Each command must begin with the proper instrument identification number (ASCII) character. The command in the following example begins with the ASCII character code 142 decimal, which directs the command to the Model 5014*i*, and is terminated by a carriage return “CR” (ASCII character code 13 decimal).

<ASCII 142>	T	I	M	E	<CR>
-------------	---	---	---	---	------

Many of the commands have two forms. One form reads parameter from the instrument’s memory, and the other writes, or updates, a parameter. The syntax for a write command adds the word “set” in front of the command and provides an argument. Command responses are generally echoed with a data element appended.

Note If the Service Mode is active, C-Link “set” commands are not allowed. This is to prevent parameters from being changed remotely while the unit is being serviced locally. ▲

If an incorrect command is sent, an error message is generated. The list of error responses is shown in [Table B–1](#). The following example sends the incorrect command “set unit mg/m3” instead of the correct command “set conc unit mg/m3.”

```
Send:          set unit mg/m3
Receive:       set unit mg/m3 bad cmd
```


Table B–1. Error Response Messages

Command Response	Description
bad cmd	Command is not recognized
too high	Supplied value is higher than the upper limit
too low	Supplied value is lower than the lower limit
invalid string	Supplied string invalid (typically because a letter was detected when the value should be numeric)
data not valid	Supplied value is not acceptable for entered command
can't, wrong settings	Command not allowed for current measurement mode
can't, mode is service	Command not allowed while instrument is in service mode
feature not enabled	I/O expansion board is not detected
flags no alarm active	No measurement alarms are active

The “save” and “set save params” commands (duplicated for backward compatibility) store parameters in FLASH memory. It is important that this command be sent each time instrument parameters are changed. If changes are not saved, they will be lost in the event of a power failure.

Commands List

Table B–2 lists the 5014*i* C-Link protocol commands. The interface will respond to the command strings outlined below.

Table B–2. C-Link Protocol Commands

Command	Description	Page
1	Simulates pressing soft key 1 pushbutton	B-34
2	Simulates pressing soft key 2 pushbutton	B-34
3	Simulates pressing soft key 3 pushbutton	B-34
4	Simulates pressing soft key 4 pushbutton	B-34
addr dns	Reports/sets domain name server address for Ethernet port	B-43
addr gw	Reports/sets default gateway address for Ethernet port	B-44
addr ip	Reports/sets IP address for Ethernet port	B-44
addr nm	Reports/sets netmask address for Ethernet port	B-44
addr ntp	Reports/sets IP address for network time protocol server	B-45
alarm alpha count max	Reports/sets alpha count alarm maximum value	B-11
alarm alpha count min	Reports/sets alpha count alarm minimum value	B-11

C-Link Protocol Commands

Commands

Command	Description	Page
alarm amb rh max	Reports/sets ambient relative humidity alarm maximum value	B-11
alarm amb rh min	Reports/sets ambient relative humidity alarm minimum value	B-11
alarm amb temp max	Reports/sets ambient temperature alarm maximum value	B-12
alarm amb temp min	Reports/sets ambient temperature alarm minimum value	B-12
alarm baro pres max	Reports/sets barometric pressure alarm maximum value	B-12
alarm baro pres min	Reports/sets barometric pressure alarm minimum value	B-12
alarm bench status	Reports the bench status	B-12
alarm beta count max	Reports/sets beta count alarm maximum value	B-13
alarm beta count min	Reports/sets beta count alarm minimum value	B-13
alarm board temp max	Reports/sets board temperature alarm maximum value	B-13
alarm board temp min	Reports/sets board temperature alarm minimum value	B-13
alarm conc avg pm max	Reports/sets average PM concentration alarm maximum value	B-13
alarm conc avg pm min	Reports/sets average PM concentration alarm minimum value	B-13
alarm conc inst pm max	Reports/sets instant PM concentration alarm maximum value	B-14
alarm conc inst pm min	Reports/sets instant PM concentration alarm minimum value	B-14
alarm filter tape status	Reports the filter tape status	B-14
alarm flow max	Reports/sets flow alarm maximum value	B-14
alarm flow min	Reports/sets flow alarm minimum value	B-14
alarm flow pres max	Reports/sets flow pressure alarm maximum value	B-15
alarm flow pres min	Reports/sets flow pressure alarm minimum value	B-15
alarm flow temp max	Reports/sets flow temperature alarm maximum value	B-15
alarm flow temp min	Reports/sets flow temperature alarm minimum value	B-15
alarm ib status	Reports the interface board status	B-16
alarm io status	Reports the I/O expansion board status	B-16
alarm mb status	Reports the motherboard status	B-16

Command	Description	Page
alarm sample rh max	Reports/sets sample relative humidity alarm maximum value	B-16
alarm sample rh min	Reports/sets sample relative humidity alarm minimum value	B-16
alarm status det	Reports the detector status	B-16
alarm tape counter max	Reports/sets tape counter alarm maximum value	B-17
alarm vac pres max	Reports/sets vacuum pressure alarm maximum value	B-17
alarm vac pres min	Reports/sets vacuum pressure alarm minimum value	B-17
allow mode cmd	Reports/sets the current "set" allow mode command	B-45
alpha eff	Reports/sets the current value of alpha efficiency for the detector	B-27
alpha th	Reports/sets the current value of alpha threshold for the detector	B-28
amb rh	Reports the ambient relative humidity	B-17
amb rh zero	Reports/sets the current ambient relative humidity zero	B-28
amb temp	Reports the current ambient temperature	B-17
amb temp zero	Reports/sets the current ambient temperature zero	B-28
analog iout range	Reports/sets analog current output range per channel	B-50
analog vin	Retrieves analog voltage input data per channel	B-51
analog vout range	Reports/sets analog voltage output range per channel	B-51
avg24 time	Reports/sets 24-hour averaging time to start averaging the concentration	B-9
baro mass coef	Reports/sets the current barometric mass coefficient	B-29
baro pres	Reports the current barometric pressure	B-18
baro span	Reports/sets the current barometric pressure span	B-29
baud	Reports/sets current baud rate	B-46
beta th	Reports/sets the current reference beta threshold for the detector	B-29
bkg pm	Reports/sets current PM background	B-30
board temp	Reports the current board temperature	B-18
cal baro pres span	Automatically calculates the span coefficient	B-30
cal flow pres span	Automatically sets the flow pressure span	B-30
cal flow span	Automatically sets the flow span	B-30
cal vac flow zero	Automatically triggers the filter change and sets vacuum and flow zero	B-31
cal vac pres span	Automatically sets the vacuum pressure span	B-30

C-Link Protocol Commands

Commands

Command	Description	Page
clr lrecs	Clears away only lrecs that have been saved	B-20
clr records	Clears away all logging records that have been saved	B-20
clr srecs	Clears away only srecs that have been saved	B-20
coef pm	Reports/sets current PM coefficient	B-31
conc unit	Reports/sets current concentration units	B-35
contrast	Reports/sets current screen contrast	B-41
copy lrec to sp	Sets/copies current lrec selection into the scratch pad	B-21
copy sp to lrec	Sets/copies current selections in scratch pad into lrec list	B-20
copy sp to srec	Sets/copies current selections in scratch pad into srec list	B-20
copy sp to stream	Sets/copies current selections in scratch pad into stream list	B-20
copy srec to sp	Sets/copies current srec selection into the scratch pad	B-21
copy stream to sp	Sets/copies current streaming data selection into the scratch pad	B-21
crn	Reports the current radon concentration	B-18
custom	Reports/sets defined custom range concentration	B-36
data treatment lrec	Reports/sets data treatment for concentration values in lrecs	B-21
data treatment srec	Reports/sets data treatment for concentration values in srecs	B-21
date	Reports/sets current date	B-42
default params	Sets parameters to default values	B-42
det	Reports/sets the status of the detector board	B-42
det status	Reports the current mass for the detector	B-18
dhcp	Reports/sets state of use of Dynamic Host Configuration Protocol (DHCP)	B-47
diag volt det	Reports diagnostic voltage levels on the detector board	B-18
diag volt iob	Reports diagnostic voltage levels on the I/O expansion board	B-18
diag volt mb	Reports diagnostic voltage levels on the motherboard	B-18
diag volt mib	Reports diagnostic voltage levels on the measurement interface board	B-19
dig in	Reports status of the digital inputs	B-52
din	Reports/sets digital input channel and active state	B-52
do (down)	Simulates pressing down pushbutton	B-34
dout	Reports/sets digital output channel and active state	B-52
dtoa	Reports outputs of the digital to analog converters per channel	B-53
en (enter)	Simulates pressing enter pushbutton	B-34

Command	Description	Page
er	Returns a brief description of the main operating conditions in the format specified in the commands	B-22
erec	Returns a snapshot of the main operating conditions (measurements and status) in the specified format	B-22
erec format	Reports/sets erec format	B-24
erec layout	Reports current layout of erec data	B-24
filter period	Reports/sets the number of hours to be added to filter next time for the filter tape change	B-36
filter time	Reports/sets the next date and time of the filter tape change	B-37
flags	Reports current active measurement status flags in HEX	B-10
flow	Reports the current sample flow	B-19
flow pres	Reports the current flow pressure	B-19
flow pres span	Reports/sets the flow pressure span	B-31
flow pres zero	Reports the flow pressure zero	B-31
flow span	Reports/sets the current flow span	B-32
flow target	Reports/sets the current flow	B-37
flow temp	Reports the current flow temperature	B-19
flow temp offset	Reports/sets offset for flow temperature	B-32
format	Reports/sets current reply termination format	B-47
he (help)	Simulates pressing help pushbutton	B-34
high volt	Reports/sets the current high voltage for the detector	B-32
host name	Reports/sets host name string	B-48
ht control	Reports/sets the current status of the heater	B-37
instr name	Reports instrument name	B-48
instrument id	Reports/sets instrument id	B-48
io bd	Reports/sets the presense of the I/O expansion board	B-19
isc (iscreen)	Retrieves framebuffer data used for the display	B-34
layout ack	Reports/disables stale layout/layout changed indicator ("*")	B-49
le (left)	Simulates pressing left pushbutton	B-34
list din	Lists current selection for digital inputs	B-54
list dout	Lists current selection for digital outputs	B-54
list lrec	Lists current selection lrec logging data	B-22
list sp	Lists current selection in the scratchpad list	B-22
list srec	Lists current selection srec logging data	B-22
list stream	Lists current selection streaming data output	B-22

Command	Description	Page
list var aout	Reports list of analog output, index numbers, and variables	B-54
list var din	Reports list of digital input, index numbers, and variables	B-54
list var dout	Reports list of digital output, index numbers, and variables	B-54
list var log	Reports a list of datalogging index numbers and variables	B-54
lr	Reports the last lrec stored	B-22
lrec	Reports maximum number of lrecs	B-22
lrec format	Reports/sets output format for lrecs (ASCII or binary)	B-24
lrec layout	Reports current layout of lrec data	B-24
lrec mem size	Reports maximum number of lrecs that can be stored	B-24
lrec per	Reports/sets lrec logging period	B-25
malloc lrec	Reports/sets memory allocation for lrecs	B-25
malloc srec	Reports/sets memory allocation for srecs	B-25
mass	Reports the presence of mass	B-19
mass coef	Reports/sets the current mass coefficient	B-32
mass limit	Reports/sets the current filter mass limit	B-38
me (menu)	Simulates pressing menu pushbutton	B-34
no of lrec	Reports number of lrecs stored in memory	B-26
no of srec	Reports number of srecs stored in memory	B-26
pm	Reports the measured PM concentration	B-11
pm 24avg	Reports the 24-hour average PM concentration	B-11
power up mode	Reports/sets the power up mode as local or remote	B-49
pres comp	Reports/sets pressure compensation to actual or standard	B-38
pres std	Reports/sets the standard pressure	B-38
program no	Reports analyzer program number	B-50
pump	Reports/sets pump on or off	B-42
push	Simulates pressing a key on the front panel	B-34
range	Reports/sets current PM range	B-39
relay	Sets relay logic status for the designated relay(s)	B-55
relay stat	Reports relay logic status for all relay(s)	B-55
reset tape counter	Resets the tape count to zero	B-20
rh th	Reports/sets the current relative humidity threshold for the detector	B-40
ri (right)	Simulates pressing right pushbutton	B-34
ru (run)	Simulates pressing run pushbutton	B-34

Command	Description	Page
sample rh	Reports the sample relative humidity	B-20
save	Stores parameters in FLASH	B-43
save params	Stores parameters in FLASH	B-43
sc (screen)	C-series legacy command that reports a generic response (Use iscreen instead)	B-35
sp field	Reports/sets item number and name in scratch pad list	B-26
sr	Reports the last srec stored	B-23
srec	Reports maximum number of srecs	B-22
srec format	Reports/sets output format for srecs (ASCII or binary)	B-24
srec layout	Reports current layout of srec data	B-24
srec mem size	Reports maximum number of srecs that can be stored	B-24
srec per	Reports/sets srec logging period	B-25
stream per	Reports/sets current time interval for streaming data	B-26
stream time	Reports/sets a time stamp to streaming data or not	B-27
tape counter	Reports the number of counts corresponding to the filter tape movement	B-20
temp comp	Reports/sets temperature compensation to actual or standard	B-40
temp std	Reports/sets the standard temperature	B-40
temp th	Reports/sets the temperature threshold for the detector	B-40
thermal mass coef	Reports/sets the current thermal mass coefficient	B-33
time	Reports/sets current time (24-hour format)	B-43
tz	Reports/sets the timezone string for the NTP server	B-50
up	Simulates pressing up pushbutton	B-34
vac mass coef	Reports/sets the current vacuum mass coefficient	B-33
vac pres	Reports the current vacuum pressure	B-20
vac pres span	Reports/sets the vacuum pressure span	B-34
vac pres zero	Reports the vacuum pressure zero	B-34
vf pres cal def	Sets vacuum and flow pressure calibration defaults	B-34

Measurements

avg24 time

This command reports the 24 hour averaging time in hours and minutes. The following example shows that the averaging time is set to 18:30.

```
Send:      avg24 time
Receive:   avg24 time 18:30
```

set avg 24 time *hh:mm*
hh = hours (01 to 23)
mm = minutes (01 to 59)

This command sets the 24 hour averaging time to start averaging the concentration from *hh:mm* until next 24 hours. It is then set to next 24 hours automatically. The following example sets the 24 hour averaging time to 17:50.

Send: set avg24 time 17:50
 Receive: set avg24 time 17:50 ok

flags

This reports 8 hexadecimal digits (or flags) that represent the status of the mode, pressure and temperature compensation status, concentration units, concentration modes and alarms. To decode the flags, each hexadecimal digit is converted to binary as shown in the Figure B-1. It is the binary digits that define the status of each parameter.

Send: flags
 Receive: flags 00000000

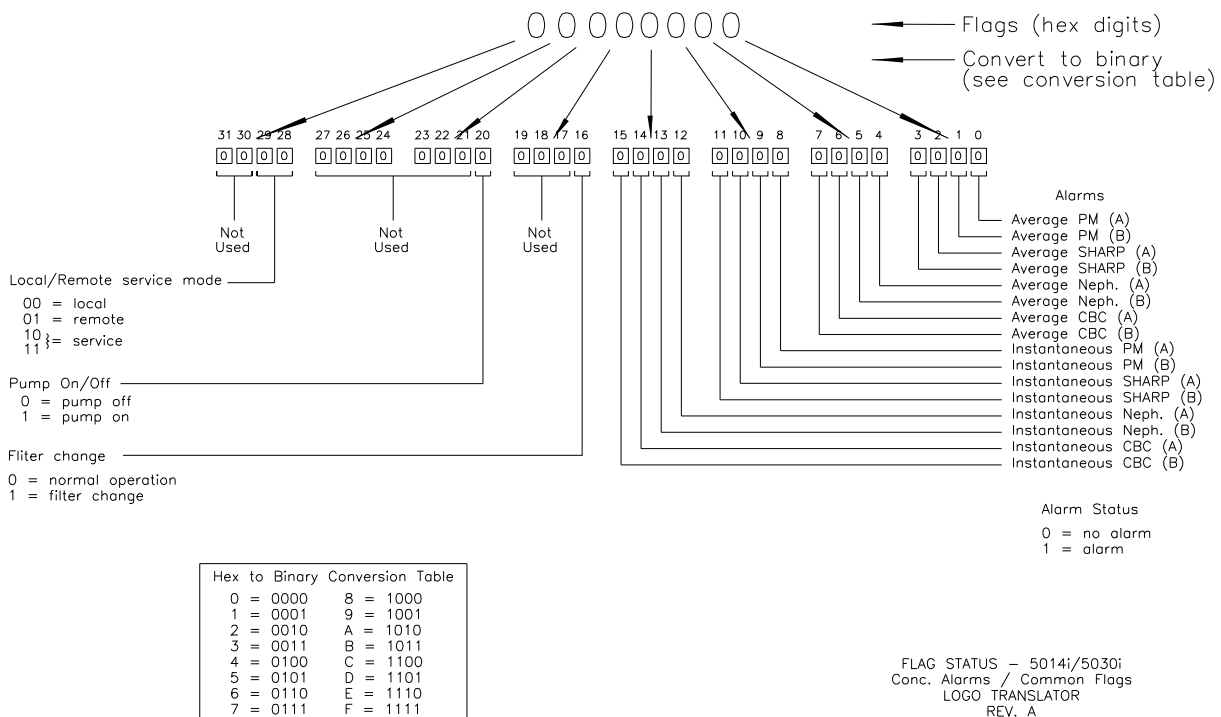


Figure B-1. Flags Field

pm

This command reports the measured PM concentration. The following example shows that the PM concentration is 14.1 mg/m³.

```
Send:          pm
Receive:       pm 1.410E+01 mg/m3
```

pm 24avg value

This command reports the 24 hour averaging PM concentration *value*, where *value* is a floating-point number representing PM concentration in the currently selected units. The following example reports the 24 hour PM concentration value.

```
Send:          pm 24avg
Receive:       pm 24avg 10.000E+00 ug/m3
```

Alarms

alarm alpha count min**alarm alpha count max**

These commands report the current alpha count alarm minimum and maximum value settings. The following example reports that the alpha count alarm minimum value is 200.

```
Send:          alarm alpha count min
Receive:       alarm alpha count min 200
```

set alarm alpha count min x**set alarm alpha count max x**

These commands set the alpha count alarm minimum and maximum values to *x*, where *x* is an integer representing alpha count limits. The following example sets the alpha count alarm maximum value to 500.

```
Send:          set alarm alpha count max 500
Receive:       set alarm alpha count max 500 ok
```

alarm amb rh min**alarm amb rh max**

These commands report the current ambient relative humidity alarm minimum and maximum value settings. The following example reports the ambient relative humidity alarm minimum value is 35.0%.

```
Send:          alarm amb rh min
Receive:       alarm amb rh min 35.0%
```

set alarm amb rh min value**set alarm amb rh max value**

These commands set the ambient relative humidity alarm minimum and maximum values to *value*, where *value* is a floating-point number representing ambient relative humidity alarm limits in percent. The

following example sets the ambient relative humidity alarm maximum value to 55%.

```
Send:          set alarm amb rh max 55%
Receive:       set alarm amb rh max 55% ok
```

alarm amb temp min

alarm amb temp max

These commands report the current ambient temperature alarm minimum and maximum value settings. The following example reports that the ambient temperature alarm minimum value is 4.0 °C.

```
Send:          alarm amb temp min
Receive:       alarm amb temp min 4.0 degC
```

set alarm amb temp min *value*

set alarm amb temp max *value*

These commands set the ambient temperature alarm minimum and maximum values to *value*, where *value* is a floating-point number representing ambient temperature alarm limits in °C. The following example sets the ambient temperature alarm maximum value to 38 °C.

```
Send:          set alarm amb temp max 38.0
Receive:       set alarm amb temp max 38.0 ok
```

alarm baro pres min

alarm baro pres max

These commands report the current barometric pressure alarm minimum and maximum value settings. The following example reports that the barometric pressure alarm minimum value is 500.0 mmHg.

```
Send:          alarm baro pres min
Receive:       alarm baro pres min 500.0 mmHg
```

set alarm baro pres min *value*

set alarm baro pres max *value*

These commands set the barometric pressure alarm minimum and maximum values to *value*, where *value* is a floating-point number representing barometric pressure alarm limits in millimeters of mercury. The following example sets the barometric pressure alarm maximum value to 800.0 mmHg.

```
Send:          set alarm baro pres max 800.0
Receive:       set alarm baro pres max 800.0 ok
```

alarm bench status

This command reports the current status of the bench as FAIL or OK. The following example reports that the bench status is OK.

Send: alarm bench status
Receive: alarm bench status ok

alarm beta count min**alarm beta count max**

These commands report the current beta count alarm minimum and maximum value settings. The following example reports that the beta count alarm minimum value is 5000.

Send: alarm beta count min
Receive: alarm beta count min 5000

set alarm beta count min *value***set alarm beta count max *value***

These commands set the beta count alarm minimum and maximum *value*, where *value* is an integer number representing beta count limits. The following example sets the beta count alarm maximum value to 20000.

Send: set alarm beta count max 20000
Receive: set alarm beta count max 20000 ok

alarm board temp min**alarm board temp max**

These commands report the current board temperature alarm minimum and maximum value settings. The following example reports that the board temperature alarm minimum value is 0 °C.

Send: alarm board temp min
Receive: alarm board temp min 0.0 degC

set alarm board temp min *value***set alarm board temp max *value***

These commands set the board temperature alarm minimum and maximum values to *value*, where *value* is a floating-point number representing board temperature alarm limits in °C. The following example sets the board temperature alarm maximum value to 38 °C.

Send: set alarm board temp max 38.0
Receive: set alarm board temp max 38.0 ok

alarm conc avg pm min**alarm conc avg pm max**

These commands report the current 24-hour average PM concentration alarm minimum and maximum values setting. The following example reports that the average PM concentration minimum is 100 mg/m³.

Send: alarm conc avg pm min
Receive: alarm conc avg pm min 1.000E+02 mg/m3

set alarm conc avg pm min *value*
set alarm conc avg pm max *value*

These commands set the 24-hour average PM concentration alarm minimum and maximum values to *value*, where *value* is a floating-point representation of the concentration alarm limits. Values must be in the units that are currently set for use. The following example sets the average PM concentration alarm maximum value to 10000 mg/m³.

Send: set alarm conc avg pm max 10000
Receive: set alarm conc avg pm max 10000 ok

alarm conc inst pm min
alarm conc inst pm max

These commands report the current 24-hour instant PM concentration alarm minimum and maximum values setting. The following example reports that the instant PM concentration minimum is 100 µg/m³.

Send: alarm conc inst pm min
Receive: alarm conc inst pm min 1.000E+02 µg/m3

set alarm conc inst pm min *value*
set alarm conc inst pm max *value*

These commands set the 24-hour instant PM concentration alarm minimum and maximum values to *value*, where *value* is a floating-point representation of the concentration alarm limits. Values must be in the units that are currently set for use. The following example sets the instant PM concentration alarm maximum value to 10000 µg/m³.

Send: set alarm conc inst pm max 10000
Receive: set alarm conc inst pm max 10000 ok

alarm filter tape status

This command reports the status of the filter tape as FAIL or OK. The following example reports that the filter tape status is OK.

Send: alarm filter tape status
Receive: alarm filter tape status ok

alarm flow min
alarm flow max

These commands report the current flow alarm minimum and maximum value settings. The following example reports that the flow alarm minimum value is 16.0 LPM.

Send: alarm flow min
Receive: alarm flow min 16.00 LPM

set alarm flow min *value*

set alarm flow max *value*

These commands set the flow alarm minimum and maximum values to *value*, where *value* is a floating-point number representing flow alarm limits in liters per minute/liters per hour. The following example sets the flow alarm maximum value to 17.34 LPM.

```
Send:          set alarm flow max 17.34
Receive:       set alarm flow max 17.34 ok
```

alarm flow pres min

alarm flow pres max

These commands report the current flow pressure alarm minimum and maximum value settings. The following example reports that the flow pressure alarm minimum value is -10.0 mmHg.

```
Send:          alarm flow pres min
Receive:       alarm flow pres min -10.0 mmHg
```

set alarm flow pres min *value*

set alarm flow pres max *value*

These commands set the flow pressure alarm minimum and maximum values to *value*, where *value* is a floating-point number representing flow pressure alarm limits in millimeters of mercury. The following example sets the flow pressure alarm maximum value to 100.0 mmHg.

```
Send:          set alarm flow pres max 100.0
Receive:       set alarm flow pres max 100.0 ok
```

alarm flow temp min

alarm flow temp max

This command reports the current flow temperature alarm maximum value setting. The following example reports that the flow temperature alarm maximum value is 20.0 °C.

```
Send:          alarm flow temp max
Receive:       alarm flow temp max 20.0 degC
```

set alarm flow temp min *value*

set alarm flow temp max *value*

This command sets the flow temperature alarm maximum value to *value*, where *value* is a floating-point number representing flow temperature alarm limits in °C. The following example sets the flow temperature alarm maximum value to 70 °C.

```
Send:          set alarm flow temp max 70.0
Receive:       set alarm flow temp max 70.0 ok
```

alarm ib status

This command reports the status of the interface board as FAIL or OK. The following example reports that the interface board status is OK.

```
Send:      alarm ib status
Receive:   alarm ib status ok
```

alarm io status

This command reports the status of the I/O expansion board as FAIL or OK. The following example reports that the I/O expansion board status is OK.

```
Send:      alarm io status
Receive:   alarm io status ok
```

alarm mb status

This command reports the status of the motherboard as FAIL or OK. The following example reports that the motherboard status is OK.

```
Send:      alarm mb status
Receive:   alarm mb status ok
```

alarm sample rh min**alarm sample rh max**

These commands report the current sample relative humidity alarm minimum and maximum value settings. The following example reports that the sample relative humidity alarm minimum value is 5%.

```
Send:      alarm sample rh min
Receive:   alarm sample rh min 5.0%
```

set alarm sample rh min *value***set alarm sample rh max *value***

These commands set the sample relative humidity alarm minimum and maximum values to *value*, where *value* is a floating-point number representing sample relative humidity alarm limits in percent. The following example sets the sample relative humidity alarm maximum value to 40%.

```
Send:      set alarm sample rh min 40.0
Receive:   set alarm sample rh min 40.0 ok
```

alarm status det

This command reports the board status of the detector as FAIL or OK. The following example reports that the detector board status is OK.

```
Send:      alarm status det
Receive:   alarm status det ok
```

alarm tape counter max

This command reports the current filter tape count alarm maximum value setting. The following example reports that the filter tape count alarm maximum value is 480.

```
Send:      alarm filter tape counter max
Receive:   alarm filter tape counter max 480
```

set alarm filter tape counter max *value*

This command sets the filter tape count alarm maximum *value*, where *value* is an integer number representing filter tape alarm limits. The following example sets the filter tape count alarm maximum value to 490.

```
Send:      set alarm filter tape counter max 490
Receive:   set alarm filter tape counter max 490 ok
```

alarm vac pres min**alarm vac pres max**

These commands report the current vacuum pressure alarm minimum and maximum value settings. The following example reports that the vacuum pressure alarm minimum value is -20.0 mmHg.

```
Send:      alarm vac pres min
Receive:   alarm vac pres min -20.0 mmHg
```

set alarm vac pres min *value***set alarm vac pres max *value***

These commands set the vacuum pressure alarm minimum and maximum values to *value*, where *value* is a floating-point number representing vacuum pressure alarm limits in millimeters of mercury. The following example sets the vacuum pressure alarm maximum value to 250.0 mmHg.

```
Send:      set alarm vac pres max 250.0
Receive:   set alarm vac pres max 250.0 ok
```

Diagnostics

amb rh

This command reports the ambient RH, in percent. The following example reports that the ambient RH is 30%.

```
Send:      amb rh
Receive:   amb rh 30.0%
```

amb temp

This command reports the current ambient temperature, in degrees C. The following example reports that the ambient temperature is 15 °C.

```
Send:      amb temp
Receive:   amb temp 15.0 degC
```

baro pres

This command reports the current barometric pressure, in mmHg. The following example reports that the barometric pressure is 722 mmHg.

Send: baro pres
Receive: baro pres 722.0 mmHg

board temp

This command reports the current board temperature, in degrees C. The following example reports that the board temperature is 15 °C.

Send: board temp
Receive: board temp 15.0 degC

crn

This command reports the current radon concentration for the detector. The following example reports that the radon concentration is 1.2 Bq/m³.

Send: crn
Receive: crn 1.20 Bq/m3

det status

This command reports the current mass for the detector. The sequence is: β_c , β , α . Each value is separated by a space.

Send: det status
Receive: det status 30000 25000 500

diag volt det

This command reports the diagnostic voltage measurements on the detector board. The voltage is positive 5.

Send: diag volt det
Receive: diag volt det 4.9

diag volt iob

This command reports the diagnostic voltage measurements on the I/O expansion board. The sequence of voltages is: Positive 24, positive 5, positive 3.3, and negative 3.3. Each voltage value is separated by a space.

Send: diag volt iob
Receive: diag volt iob 24.10 4.90 3.20 -3.20

diag volt mb

This command reports the diagnostic voltage measurements on the motherboard. The sequence of voltages is: Positive 24, positive 15, positive 5, positive 3.3, and negative 3.3. Each voltage value is separated by a space.


```
Send:      diag volt mb
Receive:   diag volt mb 24.10 14.90 4.90 3.20 -3.20
```

diag volt mib

This command reports the diagnostic voltage measurements on the measurement interface board. The sequence of voltages is: Positive 24, positive 15, negative 15, positive 5, and positive 3.3. Each voltage value is separated by a space.

```
Send:      diag volt mib
Receive:   diag volt mib 24.98 14.80 -14.90 4.96 3.20
```

flow

This command reports the current sample flow. The following example reports that the sample flow is 16.69 LPM.

```
Send:      sample flow
Receive:   sample flow 16.69 LPM
```

flow pres

This command reports the current flow pressure for the detector, in mmHg. The following example reports that the flow pressure is 24.1 mmHg.

```
Send:      flow pres
Receive:   flow pres 24.1 mmHg
```

flow temp

This command reports the current flow temperature for the detector, in degrees C. The following example reports that the flow temperature is 22.3 °C.

```
Send:      flow temp
Receive:   flow temp 22.3 deg
```

io bd

This command reports the presence of the I/O expansion board (yes/no). The following example reports the I/O expansion board is present (yes).

```
Send:      io bd
Receive:   io bd yes
```

mass

This command reports the presence of mass. The following example reports that the mass is 0.1 mg/m³.

```
Send:      mass
Receive:   mass 0.1 mg/m3
```

set reset tape counter

This command resets the tape count to zero.

Send: set reset tape counter
Receive: set reset tape counter ok

sample rh

This command reports the sample RH, in percent. The following example reports that the sample RH is 20%.

Send: sample rh
Receive: sample rh 20.0%

tape counter

This command reports the number counts which corresponds to the filter tape movement. The following example reports that the tape count is 250.

Send: tape counter
Receive: tape counter 250

vac pres

This command reports the current vacuum pressure for the detector, in mmHg. The following example reports that the vacuum pressure is 100 mmHg.

Send: vac pres
Receive: vac pres 100.0 mmHg

Datalogging

clr records

This command will clear all lrecs and srecs that have been saved.

Send: clr records
Receive: clr records ok

set clr lrecs

set clr srecs

These commands will clear only the lrecs or only the srecs that have been saved. The following example clears srecs.

Send: set clr srecs
Receive: set clr srecs ok

set copy sp to lrec

set copy sp to srec

set copy sp to stream

These commands copy the current selections in scratch pad (sp) into the lrec, srec, or streaming data list.

The scratch pad is a temporary memory area which is used to set up lists of selections for lrec, srec, or streaming data items. The user can copy any of these lists to the scratch pad, modify individual elements in the list, then save the scratch pad back to the original list. For more information on how to edit the scratch pad, see the “sp field” command.

The following example copies the current list in scratch pad into the lrecs list.

```
Send:          set copy sp to lrec
Receive:       set copy sp to lrec ok
```

set copy lrec to sp

set copy srec to sp

set copy stream to sp

These commands copy the current contents of the lrec, srec, or streaming data list into the scratch pad (sp). These commands are useful in easy modification of current lrec, srec, or streaming data lists.

The scratch pad is a temporary memory area which is used to set up lists of selections for lrec, srec, or streaming data items. The user can copy any of these lists to the scratch pad, modify individual elements in the list, then save the scratch pad back to the original list. For more information on how to edit the scratch pad, see the “sp field” command.

The following example copies the current list of lrecs into the scratch pad.

```
Send:          set copy lrec to sp
Receive:       set copy lrec to sp ok
```

data treatment lrec

data treatment srec

These commands report the current selection of data treatment for concentrations in the lrecs or srecs. The following example reports the data treatment for concentrations in lrec as minimum.

```
Send:          data treatment lrec
Receive:       data treatment lrec min
```

set data treatment lrec *string*

set data treatment srec *string*

string = | cur | avg | min | max |

These commands set the data treatment to current, average, minimum, or maximum for the concentration values recorded in the lrecs or srecs. The following example sets the data treatment for concentrations in lrec as minimum.

```
Send:          set data treatment lrec min
Receive:       set data treatment lrec min ok
```

erec

erxy

$x = | 0 | 1 |$: Reply termination format (see “set format *format*” command)

$y = | 0 | 1 | 2 |$: Output format (see “set erex format *format*” command)

These commands return a snapshot of the main operating conditions (measurements and status) at the time the command is issued. The following example shows a typical response.

The format is defined within the command (in the case of *erxy*) by the current settings of the “format” and “erex format” commands (in the case of *erec*). For details on *erec* formatting, see the “[Record Layout Definition](#)” section at the end of this appendix. For details on how to decode the flag fields within these records, see the “flags” command.

```
Send:      erex
Receive:   erex
           07:53 05-04-09 flags 110000 PM 0.000 1 24Hr Avg PM
           0.000 1 Coef A 1.000 Bkg A 0.000 Range A 10000.000 Flow
           A 0.000 6 5 3 1 1 1 0 Temp Threshold A 30.000 Temp
           Threshold A 35.000
```

list lrec

list srec

list stream

list sp

These commands report the list of current selections for *lrec* logging data, *srec* logging data, streaming data output, or the scratch pad (*sp*) list.

The scratch pad is a temporary memory area which is used to set up lists of selections for *lrec*, *srec*, or streaming data items. The user can copy any of these lists to the scratch pad, modify individual elements in the list, then save the scratch pad back to the original list. Refer to the “*sp* field” command for information on how to edit the scratch pad.

The following example shows the list for streaming data output.

```
Send:      list stream
Receive:   list stream
           field index variable
           X x time
```

lrec

srec

lrec *rec num*

srec *rec num*

lrx *rec num*

srxxy rec num
lrec *aa:bb oo-pp-qq yy*
srec *aa:bb oo-pp-qq yy*
rec = The starting record index number (1=most recent)
num = The number of records to return (1 to 10)
x = | 0 | 1 | : Reply termination format (see “set format *format*”
 command)
y = | 0 | 1 | 2 | : Output format (see “set lrec/srec format *format*”
 command)
aa = hours (01 to 23)
bb = minutes (01 to 59)
oo = month (01 to 12)
pp = day (01 to 31)
qq = year

These commands output lrec or srec logged data. The output format is determined by the “set lrec format”, and “set srec format” commands. The logging time is determined by the “set lrec per” and “set srec per” commands.

In the following example, assume there are 740 lrecs currently stored in memory. When the command “lrec 100 5” is sent, the instrument counts back 100 records from the last record collected (record 740), and then returns 5 records: 640, 641, 642, 643, and 644. For details on how to decode the flag fields within these records, see the “flags” command.

```
Send:          lrec 5
Receive:       lrec 100 5
              08:28 05-04-09 flags 00110000 pm 0.000 baro 0.000 vac -
              260.000 pflow -52.000 ambrh 0.000 srh 0.000 ambtemp -
              32.000 stemp -41.000 fvol 0.000 cflg 00001F86 aflg
              0000FC0C
              08:29 05-04-09 flags 00110000 pm 0.000 baro 0.000 vac -
              260.000 pflow -52.000 ambrh 0.000 srh 0.000 ambtemp -
              32.000 stemp -41.000 fvol 0.000 cflg 00001F86 aflg
              0000FC0C
              08:30 05-04-09 flags 00110000 pm 0.000 baro 0.000 vac -
              260.000 pflow -52.000 ambrh 0.000 srh 0.000 ambtemp -
              32.000 stemp -41.000 fvol 0.000 cflg 00001F86 aflg
              0000FC0C
              08:31 05-04-09 flags 00110000 pm 0.000 baro 0.000 vac -
              260.000 pflow -52.000 ambrh 0.000 srh 0.000 ambtemp -
              32.000 stemp -41.000 fvol 0.000 cflg 00001F86 aflg
              0000FC0C
              08:32 05-04-09 flags 00110000 pm 0.000 baro 0.000 vac -
              260.000 pflow -52.000 ambrh 0.000 srh 0.000 ambtemp -
              32.000 stemp -41.000 fvol 0.000 cflg 00001F86 aflg
              0000FC0C
```

lrec format
srec format
erec format

These commands report the output format for lrecs and srecs, and erec data in various formats such as ASCII without text, ASCII with text, or binary. The following example shows the output format for lrecs is ASCII with text, according to [Table B-3](#).

```
Send:      lrec format
Receive:   lrec format 1
```

set lrec format *format*
set srec format *format*
set erec format *format*

These commands set the output format for lrecs and srecs, and erec data, according to [Table B-3](#). The following example sets the lrec output format to ASCII with text.

```
Send:      set lrec format 1
Receive:   set lrec format 1 ok
```

Table B-3. Record Output Formats

<i>Format</i>	Output Format
0	ASCII no text
1	ASCII with text
2	Binary data

lrec layout
srec layout
erec layout

These commands report the layout (string indicating the data formats) for data that is sent out in response to the lrec, srec, erec, and related commands. For details on how to interpret the strings, see “Record Layout Definition” later in this appendix.

```
Send:      lrec layout
Receive:   lrec layout %s %s %lx %f %f %f %f %f %f %f %f %f %f %lx
           %lx
           t D L ffffffff A A
           flags pm baro vac pflow ambrh srh ambtemp stemp fvol
           dflg aflg
```

lrec mem size
srec mem size

These commands report the number of lrecs and srecs that can be stored with the current settings and the number of blocks reserved for lrecs and srecs. The following example shows that 1075 blocks were reserved for lrecs and the maximum number of lrecs that can be stored in memory is 241979. Memory allocation can be changed using the “malloc” command.

```
Send:      lrec mem size
Receive:   lrec mem size 241979 recs, 1075 blocks
```

lrec per **srec per**

These commands report the lrecs and srecs logging period. The following example shows that the srec logging period is 5 minutes.

```
Send:      srec per
Receive:   srec per 5 min
```

```
set lrec per value
set srec per value
value = | 1 | 5 | 15 | 30 | 60 |
```

These commands set the lrecs and srecs logging period to *value* in minutes. The following example sets the lrec logging period to 15 minutes.

```
Send:      set lrec per 15
Receive:   set lrec per 15 ok
```

malloc lrec **malloc srec**

These commands report the currently set memory allocation for lrecs and srecs in percent of total memory.

```
Send:      malloc lrec
Receive:   malloc lrec 10 %
```

```
set malloc lrec value
set malloc srec value
value = 0 to 100
```

These commands set the percent of memory space allocated for lrecs and srecs to *value*, where *value* is a floating-point number representing percent. The following example sets the memory allocation for lrecs to 10%.

Note Issuing these commands will clear all the logged data in memory. All the existing records should be retrieved using appropriate commands, if required. ▲

```
Send:      set malloc lrec 10
Receive:   set malloc lrec 10 ok
```

no of lrec

no of srec

These commands report the number of lrec and srecs stored memory. The following example shows that 50 lrecs have been stored in the memory.

```
Send:      no of lrec
Receive:   no of lrec 50 recs
```

sp field *number*

This command reports the variable *number* and name stored at the index in the scratch pad list.

The scratch pad is a temporary memory area which is used to set up lists of selections for lrec, srec, or streaming data items. The user can copy any of these lists to the scratch pad, modify individual elements in the list, then save the scratch pad back to the original list.

The following example shows that field 1 in the scratch pad is set to index number 3, which is for the variable PM concentration pressure.

```
Send:      sp field 1
Receive:   sp field 1 3 PM
```

set sp field *number value*

number = 1-32 for lrec and srec lists, 1-8 for streaming data lists

This command sets the scratch pad field *number* (item number in scratch pad list) to *value*, where *value* is the index number of a variable in the analog output variable list. Available variables and their corresponding index numbers may be obtained using the command “list var aout”. The “set sp field” command is used to create a list of variables which can then be transferred into the lrec, srec, or streaming data lists, using the “set copy sp to lrec”, “set copy sp to srec”, or “set copy sp to stream” commands.

```
Send:      set sp field 1 34
Receive:   set sp field 1 34 ok
```

stream per

This command reports the current time interval in seconds for streaming data. The following example reports the streaming period is set to 10 seconds.

```
Send:      stream per
Receive:   stream per 10 sec
```


set stream per *number value*

number value = | 1 | 2 | 5 | 10 | 20 | 30 | 60 | 90 | 120 | 180 | 240 | 300 |

This command sets the time interval between two consecutive streaming data strings to *number value* in seconds. The following example sets the number value to 10 seconds.

```
Send:      set stream per 10
Receive:   set stream per 10 ok
```

stream time

This command reports if the streaming data string will have a time stamp attached to it or not, according to [Table B-4](#). The following example reports that the streaming data shall not include a time stamp.

```
Send:      stream time
Receive:   stream time 0
```

set stream time *value*

This command enables *value*, where *value* is to attach or disable time stamp to streaming data string, according to [Table B-4](#). The following example attaches a time stamp to streaming data.

```
Send:      set stream time 1
Receive:   set stream time 1 ok
```

Table B-4. Stream Time Values

<i>Value</i>	Stream Time
0	Disables time stamp to streaming data string
1	Attaches time stamp to streaming data string

Calibration

alpha eff

This command reports the current value of alpha efficiency for the detector. The following example reports that the alpha efficiency is 0.12.

```
Send:      alpha eff
Receive:   alpha eff 0.120
```

set alpha eff *value*

This command sets the alpha efficiency for the detector to *value*, where *value* is a floating-point number representing the alpha efficiency for the detector. The following example sets the alpha efficiency to 0.15.

```
Send:      set alpha eff 0.15
Receive:   set alpha eff 0.150 ok
```

alpha th

This command reports the current value of alpha threshold for the detector. The following example reports that the alpha threshold is 1220.

```
Send:      alpha th
Receive:   alpha th 1220
```

set alpha th *value*

This command sets the alpha threshold for the detector to *value*, where *value* is a floating-point number representing the alpha threshold for the detector. The following example sets the alpha threshold to 1250.

```
Send:      set alpha th 1250
Receive:   set alpha th 1250 ok
```

amb rh zero

This command reports the current ambient RH zero, in percent. The following example reports that the ambient RH zero is 0.6%.

```
Send:      amb rh zero
Receive:   amb rh zero 0.6%
```

set amb rh zero *value*

This command sets the ambient RH zero to *value*, where *value* is a floating-point number representing ambient RH zero in percent. The following example sets the ambient RH zero to 7%.

```
Send:      set amb rh zero 7
Receive:   set amb rh zero 7 ok
```

amb temp zero

This command reports the current ambient temperature zero, in degrees C. The following example reports that the ambient temperature zero is 5 °C.

```
Send:      amb temp zero
Receive:   amb temp zero 5.0 degC
```

set amb temp zero *value*

This command sets the ambient temperature zero to *value*, where *value* is a floating-point number representing ambient temperature zero in degrees C. The following example sets the ambient temperature zero to 3 °C.

```
Send:      set amb temp zero 3
Receive:   set 3 amb temp zero 3 ok
```

baro mass coef

This command reports the current barometric mass coefficient. The following example reports that the barometric mass coefficient is 0.000540.

```
Send:      baro mass coef
Receive:   baro mass coef 0.000540
```

set baro mass coef *value*

This command sets the barometric mass coefficient to user-defined values to *value*, where *value* is a floating-point representation of the coefficient. The following example sets the barometric mass coefficient to 0.000630.

```
Send:      set baro mass coef 0.000630
Receive:   set baro mass coef 0.000630 ok
```

baro span

This command reports the current barometric pressure span recorded at the time of calibration. The following example reports that the barometric span is 1.0.

```
Send:      baro span
Receive:   baro span 1.0000
```

set baro span *value*

This command requires to manually specifying the span *value* for the barometric pressure span, where *value* is a floating-point representation of barometric pressure span. The following example successfully sets the barometric span to 1.023.

```
Send:      set baro span 1.023
Receive:   set baro span 1.023 ok
```

beta th

This command reports the current reference beta threshold for the detector. The following example reports that the beta threshold is 440.

```
Send:      beta th
Receive:   beta th 440
```

set beta th *value*

This command sets the reference beta threshold for the detector to *value*, where *value* is a floating-point representation of the beta threshold. The following example sets the beta threshold to 500.

```
Send:      set beta th 500
Receive:   set beta th 500 ok
```

bkg pm

This command reports the current PM backgrounds. The following example reports that the PM background is 4 $\mu\text{g}/\text{m}^3$.

```
Send:          bkg pm
Receive:       bkg pm 4.000E+00  $\mu\text{g}/\text{m}^3$ 
```

set bkg pm *value*

This command is used to set PM backgrounds to user-defined values to *value*, where *value* is a floating-point representation of the background in current selected units. The following example sets the PM background to 5.2 $\mu\text{g}/\text{m}^3$.

```
Send:          set bkg pm 5.2
Receive:       set bkg pm 5.2 ok
```

set cal baro pres span

This command automatically calculates the span coefficient based on the entered target pressure value. The following example sets the calibration pressure to 720.5 mmHg.

```
Send:          set cal baro offset 720.5
Receive:       set cal baro offset 720.5 ok
```

set cal flow pres span

This command automatically sets the flow pressure span based on the flow pressure entered at the time of calibration. The following example successfully sets the new value for flow span based on the flow pressure to 50.5 mmHg.

```
Send:          set cal flow pres span 50.5
Receive:       set cal flow pres span 50.5 ok
```

set cal flow span

This command automatically sets the new value for flow span based on the corrected flow entered. The following example sets the new value for flow span based on the corrected flow to 17.2 LPM.

```
Send:          set cal flow span 17.2
Receive:       set cal flow span 17.2 ok
```

set cal vac pres span

This command automatically sets the vacuum span based on the vacuum pressure entered at the time of calibration. The following example successfully sets the new value for vacuum span based on the vacuum pressure to 120.5 mmHg.

```
Send:      set cal vac pres span 120.5
Receive:   set cal vac pres span 120.5 ok
```

set cal vac flow zero

This command automatically triggers the filter change and sets the new value for vacuum and flow zero. The following example successfully sets the vacuum and flow zero.

```
Send:      set cal vac flow zero
Receive:   set cal vac flow zero ok
```

coef pm

This command reports PM coefficient. The following example reports that the PM coefficient is 1.200.

```
Send:      coef pm
Receive:   coef pm 1.200
```

set coef pm *value*

This command sets the PM coefficient to user-defined values to *value*, where *value* is a floating-point representation of the coefficient. The following example sets the PM coefficient to 1.200.

```
Send:      set coef pm 1.200
Receive:   set coef pm 1.200 ok
```

flow pres span

This command reports the flow pressure span recorded at the time of calibration. The following example reports that the flow span is 1.2.

```
Send:      flow pres span
Receive:   flow pres span 1.200
```

set flow pres span *value*

This command sets the flow pressure span to *value*, where *value* is a floating-point representation of the pressure span specified at the time of calibration. The following example successfully sets the new value for flow pressure to 1.5.

```
Send:      set flow pres span 1.5
Receive:   set flow pres span 1.5 ok
```

flow pres zero

This command reports the flow pressure zero for the detector at the time of calibration. The following example reports that the flow pressure zero is 3.0.

```
Send:      flow pres zero
Receive:   flow pres zero 3.0
```

flow span

This command reports the current flow span at the time of calibration. The following example reports that the flow at calibration is 1.00.

Send: flow span
Receive: flow span 1.000

set flow span *value*

This command sets the current flow span to the *value*, where *value* is a floating-point representation of the flow span specified at the time of calibration. The following example sets the flow span to 1.5.

Send: set flow span 1.5
Receive: set flow span 1.5 ok

flow temp offset

This command reports offset for flow temperature, in degrees C. The following example reports that the flow temperature offset is 5 °C.

Send: flow temp offset
Receive: flow temp offset 5.0 degC

set flow temp offset *value*

This command sets the offset *value* for flow temperature, where *value* is a floating-point number representing flow temperature offset in degrees C. The following example sets the flow temperature offset to 7 °C.

Send: set flow temp offset 7
Receive: set flow temp offset 7 ok

high volt

This command reports the current high voltage for the detector. The following example reports that the high voltage is 1400 V.

Send: high volt
Receive: high volt 1400

set high volt *value*

This command sets the high voltage for the detector to *value*, where *value* is a floating-point representation of the high voltage. The following example sets the high voltage to 1445 V.

Send: set high volt 1445
Receive: set high volt 1445 ok

mass coef

This command reports the current mass coefficient. The following example reports that the mass coefficient is 7100.

```
Send:      mass coef
Receive:   mass coef 7100
```

set mass coef *value*

This command sets the mass coefficient to user-defined values to *value*, where *value* is a floating-point representation of the coefficient. The following example sets the mass coefficient to 7000.

```
Send:      set mass coef 7000
Receive:   set mass coef 7000 ok
```

thermal mass coef

This command reports the current thermal mass coefficient. The following example reports that the thermal mass coefficient is 19.0000.

```
Send:      thermal mass coef
Receive:   thermal mass coef 19.0000
```

set thermal mass coef *value*

This command sets the thermal mass coefficient to user-defined values to *value*, where *value* is a floating-point representation of the coefficient. The following example sets the thermal mass coefficient to 20.5.

```
Send:      set thermal mass coef 20.5
Receive:   set thermal mass coef 20.5 ok
```

vac mass coef

This command reports the current vacuum mass coefficient. The following example reports that the vacuum mass coefficient is 2.0.

```
Send:      vac mass coef
Receive:   vac mass coef 2.0
```

set vac mass coef *value*

This command sets the vacuum mass coefficient to user-defined values to *value*, where *value* is a floating-point representation of the coefficient. The following example sets the vacuum mass coefficient to 3.1.

```
Send:      set vac mass coef 3.1
Receive:   set vac mass coef 3.1 ok
```

vac pres span

This command reports the vacuum span for the detector at the time of calibration. The following example reports that the vacuum pressure span is 1.0.

```
Send:      vac pres span
Receive:   vac pres span 1.000
```

set vac pres span

This command sets the vacuum span to the value specified at the time of calibration. The following example successfully sets the new value for vacuum pressure span to 1.002.

Send: set vac pres zero 1.002
Receive: set vac pres zero 1.002 ok

vac pres zero

This command reports the vacuum zero for the detector at the time of calibration. The following example reports that the vacuum pressure zero is 0.3.

Send: vac pres zero
Receive: vac pres zero 0.3

set vf pres cal def

This command resets the vacuum and flow pressure calibration to their default values.

Send: set vf pres cal def
Receive: set vf pres cal def ok

Keys/Display

push *button*

do	me	1
down	menu	2
en	ri	3
enter	right	4
he	ru	
help	run	
le	up	
left		

button = | do | down | en | enter | he | help | le | left | me | menu | ri | right | ru | run | up | 1 | 2 | 3 | 4 |

These commands simulate pressing the front panel pushbuttons. The numbers represent the front panel soft keys, from left to right.

Send: push enter
Receive: push enter ok

isc

iscreen

These commands retrieve the framebuffer data used for the display on the *iSeries* instrument. It is 19200 bytes in size, 2-bits per pixel, 4 pixels per byte arranged as 320 by 240 characters. The data is sent in RLE encoded form to save time in transmission. It is sent as a type '5' binary C-Link response with no checksum.

The RLE encoding consists of a 0 followed by an 8-bit count of consecutive 0xFF bytes. The following 'c' code will expand the incoming data.

```
void      unpackDisplay ( void far* tdib, unsigned char far* rlescreen )
{
  int i,j,k;
  unsigned char far *sc4bpp, *sc2bpp, *screen, *ptr;

  ptr = screen = (unsigned char far *)malloc(19200);
  //RLE decode the screen
  for (i=0; i<19200 && (ptr - screen) < 19200; i++)
  {
    *(ptr++) = *(rlescreen + i);
    if (*(rlescreen + i) == 0)
    {
      unsigned char rlecount = *(unsigned char *)(rlescreen + ++i);

      while (rlecount)
      {
        *(ptr++) = 0;
        rlecount--;
      }
    }
    else if (*(rlescreen + i) == 0xff)
    {
      unsigned char rlecount = *(unsigned char *)(rlescreen + ++i);

      while (rlecount)
      {
        *(ptr++) = 0xff;
        rlecount--;
      }
    }
  }
}
```

To convert this data into a BMP for use with Windows, it needs to be saved as a 4-bit-per-pixel gray-scale image. Also note that BMP files are upside down relative to this data, that is, the top display line is the last line in the BMP.

sc

screen

These commands are meant for backward compatibility with the C series. Screen information is instead reported using the “iscreen” command above.

Send: screen
Receive: screen This is an iSeries instrument.
Screen information not available.

Measurement Configuration

conc unit

This command reports the current concentration units (mg/m³ or µg/m³). The following example reports that the concentration units are set to mg/m³.

Send: conc unit
Receive: conc unit µg/m3

set conc unit *unit*

unit = | $\mu\text{g}/\text{m}^3$ | mg/m^3 |

This command sets the concentration units to mg/m^3 or $\mu\text{g}/\text{m}^3$. The following example sets the concentration units to mg/m^3 .

```
Send:          set conc unit mg/m3
Receive:       set conc unit mg/m3 ok
```

custom *range*

range = | 1 | 2 | 3 |

This command reports the user-defined value of custom *range* 1, 2, or 3. The following example reports that custom range 1 is defined to 5.50 mg/m^3 .

```
Send:          custom 1
Receive:       custom 1 5.500E+00 mg/m3
```

set custom *range range value*

set custom 1 *value*

set custom 2 *value*

set custom 3 *value*

These commands are used to set the maximum concentration for any of the three custom *ranges* 1, 2, or 3 to range *value*, where *value* is a floating-point number representing concentration in the currently selected units. The following example sets the custom 1 range to 100.5 $\mu\text{g}/\text{m}^3$.

```
Send:          set custom 1 100.5  $\mu\text{g}/\text{m}^3$ 
Receive:       set custom 1 100.5  $\mu\text{g}/\text{m}^3$  ok
```

filter period

This command reports the number of hours to be added to filter next time for the filter tape change. The following example reports that the filter period is eight hours.

```
Send:          filter period
Receive:       filter period 8 HRS
```

set filter period *value*

This command sets the number of hours to be added to filter next time for the filter tape change to *value*, where *value* is a floating-point representation of the filter period in hours. The following example sets the filter period to 10 hours.

```
Send:          set filter period 10
Receive:       set filter period 10 ok
```

filter time

This command reports the next date and time of the filter tape change. The following example reports that the date and time is January 1, 2008, 6:12 pm.

```
Send:      filter time
Receive:   filter time 01Jan08 18:12
```

set filter time *dd-mm-yyyy hh:mm:ss*

dd = day

mm = month

yyyy = year

hh = hours

mm = minutes

ss = seconds

This command sets the next filter tape change. The following example sets the filter time to October 1, 2008, 11:32 pm.

```
Send:      set filter time 10-01-2008 23:32
Receive:   set filter time 10-01-2008 23:32 ok
```

flow target

This command reports the current flow. The following example reports that the flow is 16.0 LPM.

```
Send:      flow target
Receive:   flow target 16.00
```

set flow target *value*

This command sets the flow to *value*, where *value* is a floating-point number representation of flow between 1 to 20 LPM. The following example sets the flow to 16.67 LPM.

```
Send:      set flow target 16.67
Receive:   set flow target 16.67 ok
```

ht control

This command reports the current status of the heater (off, RH threshold, or temp threshold). The following example reports that the heater is RH threshold.

```
Send:      ht control
Receive:   ht control RH
```

set ht control *selection*

selection = | off | rh | temp |

This command sets the heater to off, RH threshold, or temp threshold. The following example sets the heater to temp threshold.

```
Send:          set ht control temp
Receive:       set ht control temp ok
```

mass limit

This command reports the current filter mass limit. The following example reports that the mass limit is 1,500 mg.

```
Send:          mass limit
Receive:       mass limit 1500
```

set mass limit *value*

This command sets the filter mass limit to *value*, where *value* is a floating-point number representation of mass limit between 0.5 to 5.0 mg or 500 to 5,000 µg. The following example sets the mass limit to 1.0 mg.

```
Send:          set mass limit 1.0
Receive:       set mass limit 1.0 ok
```

pres comp

This command reports whether pressure compensation is for actual or standard conditions. The following example shows the pressure compensation is standard.

```
Send:          pres comp
Receive:       pres comp std
```

set pres comp *selection*

selection = | act | std |

These commands turn the pressure compensation to either actual or standard conditions. The following example turns the pressure compensation to actual.

```
Send:          set pres comp act
Receive:       set pres comp act ok
```

pres std

This command reports the standard pressure. The following example reports that the standard pressure is 760 mmHg.

```
Send:          pres std
Receive:       pres std 760 mmHg
```

set pres std *value*

This command sets the standard pressure to *value*, where *value* is a floating-point number representation of standard pressure between 0 to 760 mmHg. The following example sets the standard pressure to 730 mmHg.

```
Send:      set pres std 730
Receive:   set pres std 730 ok
```

range

This command reports the current PM range. If the mode is incorrect, the instrument responds with “can’t, wrong settings”. The following example reports that the PM range is set to 5 mg/m³, according to [Table B-5](#).

```
Send:      range
Receive:   range 4: (5.000E+00 mg/m3)
```

set range *selection*

This command selects the PM ranges, according to [Table B-5](#). The following example sets the PM range to 10 mg/m³.

```
Send:      set range 5
Receive:   set range 5 ok
```

Table B-5. Standard Ranges

<i>Selection</i>	$\mu\text{g}/\text{m}^3$	mg/m^3
0	100	0.1
1	1000	1.0
2	2000	2.0
3	3000	3.0
4	5000	5.0
5	10000	10.0
6	C1	C1
7	C2	C2
8	C3	C3

rh th

This command reports the current heater RH threshold for the sample. The following example reports that the RH threshold is 30%.

```
Send:      rh th
Receive:   rh th 30%
```

set rh th *value*

This command sets the heater RH threshold for the sample to *value*, where *value* is a floating-point number representation of RH threshold between 30% to 90%. The following example sets the RH threshold to 35%.

```
Send:          set rh th 35
Receive:       set rh th 35 ok
```

temp comp

This command reports whether temperature compensation is for actual or standard conditions. The following example shows the temperature compensation is standard.

```
Send:          temp comp
Receive:       temp comp std
```

set temp comp *selection*

selection = | act | std |

These commands turn the temperature compensation to either actual or standard conditions. The following example turns the temperature compensation to actual.

```
Send:          set temp comp act
Receive:       set temp comp act ok
```

temp std

This command reports the standard temperature. The following example reports that the standard temperature is 18 °C.

```
Send:          temp std
Receive:       temp std 18 degC
```

set temp std *value*

This command sets the standard temperature to *value*, where *value* is a floating-point number representation of standard temperature between 0 to 25 °C. The following example sets the standard temperature to 15 °C.

```
Send:          set temp std
Receive:       set temp std 15 ok
```

temp th

This command reports the heater temperature threshold for the sample. The following example reports that the temperature threshold is 30 °C.

```
Send:          temp th
Receive:       temp th 30 degC
```

Hardware Configuration

set temp th *value*

This command sets the heater temperature threshold for the sample to *value*, where *value* is a floating-point number representation of temperature threshold between 0 to 70 °C. The following example sets the temperature threshold to 35 °C.

```
Send:      set temp th 35
Receive:   set temp th 35 ok
```

contrast

This command reports the screen's level of contrast. The following example shows the screen contrast is 55%, according to [Table B-6](#).

```
Send:      contrast
Receive:   contrast 11: 55%
```

set contrast *level*

This command sets the screen's *level* of contrast, according to [Table B-6](#). The following example sets the contrast level to 50%.

```
Send:      set contrast 10
Receive:   set contrast 10 ok
```

Table B-6. Contrast Levels

<i>Level</i>	Contrast Level
0	0%
1	5%
2	10%
3	15%
4	20%
5	25%
6	30%
7	35%
8	40%
9	45%
10	50%
11	55%
12	60%
13	65%
14	70%
15	75%

<i>Level</i>	Contrast Level
16	80%
17	85%
18	90%
19	95%
20	100%

date

This command reports the current date. The following example reports the date as April 1, 2009.

```
Send:      date
Receive:   date 04-01-09
```

set date *mm-dd-yy*

mm = month

dd = day

yy = year

This command sets the date of the analyzer's internal clock. The following example sets the date to May 1, 2009.

```
Send:      set date 05-01-09
Receive:   set date 05-01-09 ok
```

set default params

This command sets all the parameters to their default values. This does not affect the factory-calibrated parameters.

```
Send:      set default params
Receive:   set default params ok
```

det

This command reports the status of the detector board (sharp/beta/map/none). The following example reports that the detector is beta.

```
Send:      det
Receive:   det beta
```

pump

This command reports the current status of pump as on or off. The following example reports that the pump is set to off.

Send: pump
Receive: pump off

set pump *onoff*
onoff = | on | off |

This command sets the pump *on* or *off*. The following example sets the pump to on.

Send: set pump on
Receive: set pump on ok

save

set save params

These commands store all current parameters in FLASH memory. It is important that each time instrument parameters are changed, that this command be sent. If changes are not saved, they will be lost in the event of a power failure. The following example saves the parameters to FLASH memory.

Send: set save params
Receive: set save params ok

time

This command reports the current time (24-hour format). The following example reports that the internal time is 2:15:30 pm.

Send: time
Receive: time 14:15:30

set time *hh:mm:ss*

hh = hours

mm = minutes

ss = seconds

This command sets the internal clock (24-hour format). The following example sets the internal time to 2:15 pm.

Note If seconds are omitted, the seconds default to 00. ▲

Send: set time 14:15
Receive: set time 14:15 ok

Communications Configuration

addr dns

This command reports the TCP/IP address for the domain name server.

Send: addr dns
Receive: addr dns 192.168.1.1

set addr dns *address*

This command sets the domain name server *address*, where *address* consists of four numbers ranging from 0-255 inclusive, separated by “.”.

```
Send:          set addr dns 192.168.1.1
Receive:       set addr dns 192.168.1.1 ok
```

addr gw

This command reports the default TCP/IP gateway address.

```
Send:          addr gw
Receive:       addr gw 192.168.1.1
```

set addr gw *address*

This command sets the default gateway *address*, where *address* consists of four numbers ranging from 0-255 inclusive, separated by “.”.

Note This command cannot be used when DHCP is on. Refer to the DHCP command that follows for additional information. ▲

```
Send:          set addr gw 192.168.1.1
Receive:       set addr gw 192.168.1.1 ok
```

addr ip

This command reports the IP address of the analyzer.

```
Send:          addr ip
Receive:       addr ip 192.168.1.200
```

set addr ip *address*

This command sets the analyzer’s IP *address*, where *address* consists of four numbers ranging from 0-255 inclusive, separated by “.”.

Note This command cannot be used when DHCP is on. Refer to the DHCP command that follows for additional information. ▲

```
Send:          set addr ip 192.168.1.200
Receive:       set addr ip 192.168.1.200 ok
```

addr nm

This command reports the IP netmask.

```
Send:          addr nm
Receive:       addr nm 255.255.252.0
```

set addr nm *mask*

This command sets the netmask *mask*, where *mask* consists of four numbers ranging from 0-255 inclusive, separated by “.”.

Note This command cannot be used when DHCP is on. Refer to the DHCP command that follows for additional information. ▲

```
Send:          set addr nm 255.255.252.0
Receive:       set addr nm 255.255.252.0 ok
```

addr ntp

This command reports the IP address for the network time protocol server. See “Network Time Protocol Server” in the Communications Settings” section of the “Operation” chapter for more information.

```
Send:          addr ntp
Receive:       addr ntp 10.209.43.237
```

set addr ntp *address*

This command sets the network time protocol server *address*, where *address* consists of four numbers ranging from 0-255 inclusive, separated by “.”.

```
Send:          set addr ntp 10.209.43.237
Receive:       set addr ntp 10.209.43.237 ok
```

allow mode cmd

This command reports the current allow mode setting: 1 = allow “set mode local” and “set mode remote” commands; 0 = ignore “set mode local” or “set mode remote” commands, according to [Table B-7](#). The default value is 0; ignore the commands. The following example shows that the instrument is configured to ignore “set mode local” or “set mode remote” commands.

```
Send:          allow mode cmd
Receive:       allow mode cmd 0
```

set allow mode cmd *value*

This command is used to configure the instrument to *value*, where *value* is either 1 = accept or 0 = ignore the “set mode local” and “set mode remote” commands, according to [Table B-7](#).

If the instrument is set to accept the commands (*value* = 1), the “set mode local” command will unlock the instrument and the keypad can be used to make changes via the front panel.

If the instrument is set to ignore the commands (*value* = 0), the instrument will respond with “ok” as if the command has been accepted and acted upon, **but will not change the instrument lock status** (this is for compatibility with systems expecting and “ok” response).

Note The instrument will always respond to the command “mode” with the status of the password lock as “mode local” or “mode remote”, regardless of the above setting. ▲

The following example sets the instrument to accept the “set mode local” and “set mode remote” commands.

```
Send:          set allow mode cmd 1
Receive:       set allow mode cmd 1 ok
```

Table B–7. Allow Mode Command Values

<i>Value</i>	Allow Mode Command
0	Ignore (default)
1	Accept

baud

This command reports the current baud rate for the serial port (RS232/RS485). The following example reports that the current baud rate is 9600 baud.

```
Send:          baud
Receive:       baud 9600
```

set baud *rate*

rate = | 1200 | 2400 | 4800 | 9600 | 19200 | 38400 | 57600 | 115200 |

This command sets the instrument baud rate to *rate*. The following example sets the instrument’s baud rate to 9600.

Note After the command is sent, the baud rate of the sending device must be changed to agree with the instrument. ▲

```
Send:          set baud 9600
Receive:       set baud 9600 ok
```

dhcp

This command reports the current state of use of the Dynamic Host Configuration Protocol (DHCP) as on or off. DHCP is used to assign an IP address to the instrument automatically. The following example shows that DHCP is on.

```
Send:      dhcp
Receive:   dhcp on
```

set dhcp *onoff*
onoff = | on | off |

This command enables (*on*) and disables (*off*) the DHCP service. When DHCP is set to on, the instrument gets the IP address, the netmask address, and the gateway address from a DHCP server. When DHCP is set to off, the instrument gets these addresses from system memory. The following example sets the DHCP service to on.

Note If DHCP is changed from on to off and then the IP address, the netmask address, or the gateway address is changed, you must cycle power to the instrument before the change takes effect. Until you cycle the power, the address assigned by the DHCP server will still be used and reported as the current address. ▲

```
Send:      set dhcp on
Receive:   set dhcp on ok
```

format

This command reports the current reply termination format. The following example shows that the reply format is 00, which means reply with no checksum, according to [Table B-8](#).

```
Send:      format
Receive:   format 00
```

set format *format*

This command sets the reply termination *format*, where *format* is set according to [Table B-8](#). The following example sets the reply termination format to checksum.

```
Send:      set format 01
Receive:   set format 01 ok
```

Table B–8. Reply Termination Formats

<i>Format</i>	Reply Termination
00	<CR>
01	<NL> sum xxxx <CR>

where xxxx = 4 hexadecimal digits that represent the sum of all the characters (bytes) in the message

host name

This command reports the host name string. The following example reports the host name is set to *iSeries*.

```
Send:          host name
Receive:       host name iSeries
```

set host name *string*

This command sets the host name *string*, where *string* is 1-13 alphanumeric characters. The following example sets the host name to *analyzer01*.

```
Send:          set host name analyzer01
Receive:       set host name analyzer01 ok
```

instr name

This command reports the instrument name. The following example reports the instrument name for the Model 5014*i*.

```
Send:          instr name
Receive:       instr name
               Beta
               Particle Analyzer
```

instrument id

This command reports the instrument identification (ID). The following example reports the current setting of the instrument ID.

```
Send:          instrument id
Receive:       instrument id 14
```

set instrument id *value*

This command sets the instrument ID to *value*, where *value* is an integer between 0 and 127 inclusive. The following example shows the instrument ID changed to 12.

Note Sending this command via RS-232 or RS-485 will require the host to use the new ID for subsequent commands. ▲

```
Send:      set instrument id 12
Receive:   set instrument id 12 ok
```

layout ack

This command reports the stale layout/layout change indicator (*) that is attached to each response if the erec layout has changed since the last time erec layout was requested, according to [Table B-9](#). The following example reports that the instrument is configured to do nothing.

```
Send:      layout ack
Receive:   layout ack 0
```

set layout ack *value*

This command disables the stale layout/layout change indicator (*) that is attached to each response if the erec layout has changed since the last time erec layout was requested, according to [Table B-9](#).

```
Send:      set layout ack
Receive:   set layout ack ok
```

Table B-9. Set Layout Ack Values

<i>Value</i>	Function
0	Do nothing (default)
1	Append "*"

power up mode

This command reports the current power up mode setting to either 0 = local/unlocked or 1 = remote/locked, according to [Table B-10](#). The default value is 0; power up in local/unlocked mode. The following example shows that the instrument is configured to power up in the remote/locked mode.

```
Send:      power up mode
Receive:   power up mode 1
```

set power up mode *value*

This command is used to configure the instrument to power up in the local/unlocked mode (*value* = 0) or the remote/locked mode (*value* = 1), according to [Table B-10](#).

If the instrument is set to power up in the local/remote mode, the keypad can be used to make changes via the front panel. If the instrument is set to power up in the remote/locked mode, changes can not be made from the

front panel. The following example sets the instrument to power up in remote/locked mode.

```
Send:          set power up mode 1
Receive:       set power up mode 1 ok
```

Table B–10. Power Up Mode Values

<i>Value</i>	Power up Mode
0	Local/Unlocked Mode (default)
1	Remote/Locked Mode

program no

This command reports the analyzer’s model information and program version number.

```
Send:          program no
Receive:       program no iSeries 5014i 00.05.37.093
```

tz

This command reports the “tz” timezone string for the NTP server. See “Network Time Protocol Server” in the “Communications Settings” section of the “Operation” chapter for more information.

```
Send:          tz
Receive:       tz EST+5EDT
```

set tz string

This command sets the timezone *string* for the instrument for use with the NTP server, where *string* is a standard timezone string. Common strings are listed in the “Timezone” screen description in Chapter 3.

```
Send:          set tz EST+5EDT
Receive:       set tz EST+5EDT ok
```

I/O Configuration

analog iout range channel

This command reports the analog current output range setting for *channel*, where *channel* must be between 1 and 6, inclusive. The following example reports current output channel 4 is in the 4-20 mA range, according to [Table B–11](#). This command responds with “feature not enabled” if the I/O expansion board is not detected.

```
Send:          analog iout range 4
Receive:       analog iout range 4 2
```


set analog iout range *channel range*

This command sets analog current output *channel* to the *range* where *channel* is between 1 and 6 inclusive, and *range* is set according to [Table B-11](#). The following example sets current output channel 4 to the 0-20 mA range. This command responds with “feature not enabled” if the I/O expansion board is not detected.

```
Send:          set analog iout range 4 1
Receive:       set analog iout range 4 1 ok
```

Table B-11. Analog Current Output Range Values

<i>Range</i>	Output Range
1	0-20 mA
2	4-20 mA
0 [cannot be set to this, but may report]	Undefined

analog vin *channel*

This command retrieves the analog voltage input *channel* data, both the calculated value and the actual voltage. In the following example, the “calculated” value of channel 1 is 75.325 degrees F, volts are 2.796. This command responds with “feature not enabled” if the I/O expansion board is not detected.

```
Send:          analog vin 1
Receive:       analog vin 1 75.325, 2.796 V
```

analog vout range *channel*

This command reports the analog voltage output *channel* range, where *channel* is between 1 and 6 inclusive, according to [Table B-12](#). The following example reports that analog voltage output channel 2 is set to 3 (0-10 V).

```
Send:          analog vout range 2
Receive:       analog vout range 2 3
```

set analog vout range *channel range*

This command sets analog voltage output *channel* to the range, where *channel* is between 1 and 6 inclusive, and *range* is set according to [Table B-12](#). The following example sets channel 2 to the 0-10 V range.

```
Send:          set analog vout range 2 3
Receive:       set analog vout range 2 3 ok
```

Table B–12. Analog Voltage Output Range Values

<i>Range</i>	Output Range
1	0-1 V
2	0-100 mV
3	0-10 V
4	0-5 V
0 [cannot be set to this, but may report]	Undefined

dig in

This command reports the status of the digital inputs as a 4-digit hexadecimal string with the most significant bit (MSB) being input 16.

Send: dig in
Receive: dig in 0xffff

din channel

This command reports the action assigned to the digital input *channel* and the index number of the corresponding active state. The following example reports input 1 to be assigned an index number 3 corresponding to action of “PM mode” with the active state being high.

Send: din 1
Receive: din 1 3 PM MODE high

set din channel index state

This command assigns digital input *channel* (1-16) to activate the action indicated by *index* (1-12), when the input transitions to the designated *state* (high or low). Use the “list var din” command to obtain the list of supported *index* values and corresponding actions. The following example sets the digital input channel 1 to 3 on a low-to-high transition.

Send: set din 1 3 high
Receive: set din 1 3 high ok

dout channel

This command reports the index number, output variable and the active state assigned to digital output *channel*. The following example reports output 4 to be assigned an index number 11 corresponding to action of “flow alarms”.

Send: dout 4
Receive: dout 4 11 FLOW ALARMS open

set dout *channel index state*

This command assigns digital output *channel* to be assigned to the action associated with *index*, and assigns it an active state of *state* (open or closed). Use the “list var dout” command to obtain the list of supported index values and corresponding state. The following example sets the digital output channel 4 to state 11.

```
Send:          set dout 4 11 open
Receive:       set dout 4 11 open ok
```

dtoa *channel*

This command reports the outputs of the 6 or 12 Digital to Analog converters, according to [Table B-13](#). The following example shows that the D/A #1 is 97.7% full-scale.

```
Send:          dtoa 1
Receive:       dtoa 1 97.7%
```

Note If the instrument is in a mode which does not provide a particular output, and that output is selected, the value will be 0.0. ▲

All channel ranges are user definable. If any customization has been made to the analog output configuration, the default selections may not apply. ▲

Table B-13. Default Analog Output Channel Assignments

D to A	Function	Range
1	Voltage Output	PM
2	Voltage Output	AVG PM
3	Voltage Output	Flow
4	Voltage Output	Ambient Temperature
5	Voltage Output	Flow Temperature
6	Voltage Output	Ambient Relative Humidity
7	Current Output	PM
8	Current Output	AVG PM
9	Current Output	Flow
10	Current Output	Ambient Temperature
11	Current Output	Flow Temperature
12	Current Output	Ambient Relative Humidity

list din

list dout

These commands report the current selection for the digital inputs or the digital outputs in the format. Output no Index number variable name active state. The active state for digital outputs is open or closed. The active state for digital inputs is high or low.

```
Send:      list dout
Receive:   list dout
           output index variable state
           1 5 CONC ALARM open
           2 1 LOCAL/REMOTE open
           3 3 UNITS open
```

list var aout

list var dout

list var din

list var log

These commands report the list of possible index numbers, and the variables (associated with that index number) available for selection in the current mode for analog outputs, digital outputs, digital inputs and datalogging. The index number is used to insert the variable in a field location in a list using “set sp *field index*”. The following example reports the list of analog outputs, index numbers, and variables.

```
Send:      list var aout
Receive:   list var aout
           index variable
           0 none
           1 pm
           3 baro
           4 vac
           6 pflow
           8 ambrt
           9 srh
           11 ambtemp
           12 brdtemp
           13 ftemp
           15 stemp
           17 frol
           19 beta
           28 braw
           29 araw
           30 avgpm
           32 mass
           34 bzero
           45 exfg
           50 bref
           52 cflg
           53 aflg
```

relay stat

This command reports the current relay logic as normally “open” or normally “closed,” if all the relays are set to same state, that is all open or all closed. The following example shows that the status of all the relays’ logic is set to normally “open”.

```
Send:      relay stat
Receive:   relay stat open
```

Note If individual relays have been assigned different logic, then the response would be a 4-digit hexadecimal string with the least significant byte (LSB) being relay no 1. ▲

For example:

```
Receive:   relay stat 0x0001
(indicates relay no 1 is set to normally open logic, all others are normally
closed)
```

```
Receive:   relay stat 0x0005
(indicates relay no 1 and 3 are set to be normally open logic, all others are
normally closed)
```

set relay open

set relay open *value*

set relay closed

set relay closed *value*

These commands set the relay logic to normally open or closed for relay number *value*, where *value* is the relay between 1 and 16. The following example sets the relay no 1 logic to normally open.

Note If the command is sent without an appended relay number, then all the relays are assigned the set logic of normally open/closed. ▲

```
Send:      set relay open 1
Receive:   set relay open 1 ok
```

Record Layout Definition

The errec, lrec, and srec layouts contain the following:

- A format specifier for parsing ASCII responses
- A format specifier for parsing binary responses

In addition to these, the errec layout contains:

- A format specifier for producing the front panel display screens

Values are read using either the ASCII or binary format specifiers and converted to uniform internal representations (32-bit floats or 32-bit integers). These values are converted into text for display on the screen using the format specifier for the front panel display. Normally, the specifier used to parse a particular datum from the input stream will be strongly related to the specifier used to display it (such as, all of the floating point inputs will be displayed with an 'f' output specifier, and all of the integer inputs will be displayed with a 'd' specifier).

Format Specifier for ASCII Responses

The first line of the layout response is the scanf-like parameter list for parsing the fields from an ASCII erc response. Parameters are separated by spaces and the line is terminated by a “\n” (the normal line separator character). Valid fields are:

- %s - parse a string
- %d - parse a decimal number
- %ld - parse a long (32-bit) decimal number
- %f - parse a floating point number
- %x - parse a hexadecimal number
- %lx - parse a long (32-bit) hex number
- %* - ignore the field

Note Signed versus unsigned for the integer values does not matter; it is handled automatically. ▲

Format Specifier for Binary Responses

The second line of the layout response is the binary parameter list for parsing the fields from a binary response. Parameters **MUST** be separated by spaces, and the line is terminated by a '\n'. Valid fields are:

- t - parse a time specifier (2 bytes)
- D - parse a date specifier (3 bytes)
- i - ignore one 8-bit character (1 byte)
- e - parse a 24-bit floating point number (3 bytes: n/x)
- E - parse a 24-bit floating point number (3 bytes: N/x)
- f - parse a 32-bit floating point number (4 bytes)

- c - parse an 8-bit signed number (1 byte)
- C - parse an 8-bit unsigned number (1 byte)
- n - parse a 16-bit signed number (2 bytes)
- N - parse a 16-bit unsigned number (2 bytes)
- m - parse a 24-bit signed number (3 bytes)
- M - parse a 24-bit unsigned number (3 bytes)
- l - parse a 32-bit signed number (4 bytes)
- L - parse a 32-bit unsigned number (4 bytes)

There is an optional single digit d which may follow any of the numeric fields, which indicates that after the field has been parsed out, the resulting value is to be divided by 10^d . Thus the 16-bit field 0xFFC6 would be interpreted with the format specifier 'n3' as the number -0.058.

Format Specifier for Erec Layout

The subsequent lines in the errec layout response describe the appearance of the full panel. The full instrument panel as it appears on the screen has two columns of lines. Each line is composed of three major components: (1) a text field, (2) a value field, and (3) a button. None of these three components is required. The text field contains statically displayed text.

The value field displays values which are parsed out of the response to a errec command. It also displays, though background changes, alarm status. The button, when pressed, triggers input from either a dialog box or a selection list. There are five kinds of buttons, B, I, L, T, and N.

Each line in the layout string corresponds to one line on the display. The layout string describes each of the three major fields as well as translation mechanisms and corresponding commands.

Text The first field in the layout string is the text. It is delimited by a ':'. The string up to the first ':' will be read and inserted in the text field of the line.

Value String This is followed by a possible string enclosed in quotes that is used to place a string into the value field.

Value Source The value source, which is the item (or word) number in the DATA/EREC response, appears next. This is followed by an optional bitfield designator. The datum identified by the value source can be printed as a string 's', hexadecimal 'x', decimal 'd', floating point 'f', or binary 'b' number. Typically, bitfield extractions are only done for decimal or hexadecimal numbers.

Floating-point numbers can be followed with an optional precision specifier which will be used as an argument to printf's %f format (for example, a field of '4' would be translated into the printf command of '%.3f'). Alternately, the special character '*' can precede the precision specifier; this causes an indirection on the precision specifier (which now becomes a field number).

This is useful when formatting, for example, numbers which have varying precision depending on the mode of the instrument.

Binary numbers can also have an optional precision specifier which is used to determine how many bits to print. For example, the specifier 'b4' will print the lowest four bits of the parsed number.

There are serious restrictions on where an 's' field may appear: currently sources 1 and 2 must be 's', and no others may be 's'.

Alarm Information

The value source is followed by optional alarm information, indicated by a commercial at sign '@' with a source indicator and a starting bit indicator. All alarm information is presumed to be two bits long (low and high). The bitfield extraction is performed on the integer part of the source. Typical alarm information would appear as '@6.4'.

Translation Table

Then, there appears an optional translation table within braces '{}'. This is a string of words separated by spaces. An example translation table would be '{Code_0 Code_1 Code_2 Code_3}'. The value, once extracted, is used as a zero-based index into the translation table to determine the string to display.

Selection Table

Then there appears an optional selection table within parentheses '(...)'. This is a string of numbers separated by spaces '(0 1)'. The selection table lists the translation table entries which the user may select from when setting the parameter. This is not necessarily the same as the entries which may be displayed.

Button Designator

Then there appears an optional button designator. This will be one of 'B', 'I', 'L', 'T', or 'N'.

B- Indicates a button which pops up an input dialog prompting the user for a new value using the designated input format. The input format is specified from the 'B' through the subsequent semicolon.

I—Indicates a button which pops up a selection list with input translation. That is, the values read are translated before they are compared to the selection list options.

L—Indicates a button which pops up a selection list without any translation. The output value is the number of the selected option.

T—Indicates a button which pops up a selection list with output translation. The number of the option selected is used as an index into the translation table to generate an output string.

N—Indicates a button which only sends the subsequent command to the instrument. No user-prompting happens.

The following string through an optional '|' or the end of the line is the command which is to be sent to the instrument upon the completion of the button selection. The command string should normally contain print-style formatting to include the user input. If a '|' is present, it indicates a command which is sent to the instrument upon successful completion of the button command to update the value field.

Examples Some examples ('\n' is the C syntax for an end-of-line character):

```
'Concentrations\n'
```

This is a single text-only line.

```
'\n'
```

This is a single blank line.

```
' NO:3s\n'
```

This is a line which appears slightly indented. The text field is 'NO', the value is taken from the third element of the data response, and interpreted as a string.

```
' NO:18sBd.ddd;set no coef %s\n'
```

This is a line which also appears slightly indented. The next field is also 'NO', but the value is taken from the eighteenth element of the data response, again interpreted as a string. A button appears on this line which, when pressed, pops up an input dialog which will state "Please enter a new value for NO using a d.ddd format." The string entered by the user is used to construct the output command. If the user enters, for example, '1.234', the constructed command will be 'set no coef 1.234'.

```
' NO:21f{Code_0 Code_1 Code_2 Code_3 Code_4 Code_5 Code_6  
Code_7 Code_8 Code_9 Code_10 Code_11}Lset range no %d\n'
```

This is a line which appears slightly indented, the title is again 'NO', and the value is the twenty-first element of the data response, interpreted as a floating-point number. There is a no-translation button which creates a selection list of twelve "Code nn" options. The number of the user selection is used to create the output command.

```
'Mode:6.12-13x{local remote service service}(0 1)Tset mode  
%s\n'
```

This is a line which has a title of 'Mode' and value taken from the sixth field of the data response. There is a bitfield extraction of bits 12 through 13 from the source (the value type is not important here because the value is being translated to an output string). Once the bits have been extracted, they are shifted down to the bit-zero position. Thus, the possible values of this example will be 0 through 3. The translation list shows the words which correspond to each input value, the zero index value appearing first (0 -> local, 1 -> remote, etc.). The selection list shows that only the first two values, in this case, are to be shown to the user when the button is pressed. The 'T' button indicates full translation, input code to string, and user selection number to output string.

```
'\xC'
```

This is a line that starts a new column (the \xC or ^L).

```
' Comp:6.11x{off on}Tset temp comp %s\n'
```

This shows that the bitfield end (the second part of a bitfield specification) is optional. The bitfield will be one bit long, starting in this case at the eleventh bit.

```
'Background:7f*8Bd.ddd;set o3 bkg %s\n'
```

This shows the use of indirect precision specifiers for floating point displays. The background value is taken from the 7th element, and the precision specifier is taken from the 8th. If the asterisk were not present, it would indicate instead that 8 digits after the decimal point should be displayed.

Appendix C

MODBUS Protocol

This appendix provides a description of the MODBUS Protocol Interface and is supported both over RS-232/485 (RTU protocol) as well as TCP/IP over Ethernet.

The MODBUS commands that are implemented are explained in detail in this document. The MODBUS protocol support for the *iSeries* enables the user to perform the functions of reading the various concentrations and other measurement values, read the status of the digital outputs of the analyzer, and to trigger or simulate the activation of a digital input to the instrument. This is achieved by using the supported MODBUS parameters listed below.

Up to three simultaneous connections are supported over Ethernet.

For details of the Model 5014*i* MODBUS Protocol specification, see the following topics:

- “Serial Communication Parameters” on page C-1
- “TCP Communication Parameters” on page C-2
- “Application Data Unit Definition” on page C-2
- “Function Codes” on page C-3
- “MODBUS Parameters Supported” on page C-8

Additional information on the MODBUS protocol can be obtained at <http://www.modbus.org>. References are from MODBUS Application Protocol Specification V1.1a MODBUS-IDA June 4, 2004.

Serial Communication Parameters

The following are the communication parameters that are used to configure the serial port of the *iSeries* to support MODBUS RTU protocol.

Number of Data bits	: 7 or 8
Number of Stop bits	: 1 or 2
Parity	: None, Odd, or Even
Data rate	: 1200 to 115200 Baud (9600 is default)

TCP Communication Parameters

*i*Series instruments support the MODBUS/TCP protocol. The register definition is the same as for the serial interface. Up to three simultaneous connections are supported over Ethernet.

TCP connection port for MODBUS : 502

Application Data Unit Definition

Here are the MODBUS ADU (Application Data Unit) formats over serial and TCP/IP:

Serial:	Slave Address	Function Code	Data	Error Check
TCP/IP:	MBAP Header	Function Code	Data	

Slave Address

The MODBUS slave address is a single byte in length. This is the same as the instrument ID used for C-Link commands and can be between 1 and 127 decimal (i.e. 0x01 hex to 0x7F hex). This address is only used for MODBUS RTU over serial connections.

Note Device ID '0', used for broadcast MODBUS commands, is not supported. Device IDs 128 through 247 (i.e. 0x80 hex to 0xF7 hex) are not supported because of limitations imposed by C-Link. ▲

MBAP Header

In MODBUS over TCP/IP, a MODBUS Application Protocol Header (MBAP) is used to identify the message. This header consists of the following components:

Transaction Identifier	2 Bytes	0x0000 to 0xFFFF (Passed back in response)
Protocol Identifier	2 Bytes	0x00 (MODBUS protocol)
Length	2 Bytes	0x0000 to 0xFFFF (Number of following bytes)
Unit Identifier	1 Byte	0x00 to 0xFF (Passed back in response)

A slave address is not required in MODBUS over TCP/IP because the higher-level protocols include device addressing. The unit identifier is not used by the instrument.

Function Code

The function code is a single byte in length. The following function codes are supported by the instrument:

Read Coils	:	0x01
Read Inputs	:	0x02
Read Holding Registers	:	0x03
Read Input Registers	:	0x04
Force (Write) Single Coil	:	0x05
Read Exception Status	:	0x06

If a function code is received that is not in this list, an invalid function exception is returned.

Data

The data field varies depending on the function. For more description of these data fields, see “Function Codes” below.

Error Check

In MODBUS over serial, an error check is included in the message. This is not necessary in MODBUS over TCP/IP because the higher-level protocols ensure error-free transmission. The error check is a two-byte (16 bit) CRC value.

Function Codes

This section describes the various function codes that are supported by the Model 5014*i*.

(0x01/0x02) Read Coils/Read Inputs

Read Coils/Inputs read the status of the digital outputs (relays) in the instrument. Issuing either of these function codes will generate the same response.

These requests specify the starting address, i.e. the address of the first output specified, and the number of outputs. The outputs are addressed starting at zero. Therefore, outputs numbered 1–16 are addressed as 0–15.

The outputs in the response message are packed as one per bit of the data field. Status is indicated as 1 = Active (on) and 0 = Inactive (off). The LSB of the first data byte contains the output addressed in the query. The other outputs follow toward the high end of this byte, and from low order to high order in subsequent bytes. If the returned output quantity is not a multiple of eight, the remaining bits in the final data byte will be padded with zeros (toward the high order end of the byte). The Byte Count field specifies the quantity of complete bytes of data.

Note The values reported may not reflect the state of the actual relays in the instrument, as the user may program these outputs for either active closed or open. ▲

Request

Function Code	1 Byte	0x01 or 0x02
Starting Address	2 Bytes	0x0000 to maximum allowed by instrument
Quantity of Outputs	2 Bytes	1 to maximum allowed by instrument
Unit Identifier	1 Byte	0x00 to 0xFF (Passed back in response)

Response

Function Code	1 Byte	0x01 or 0x02
Byte Count	1 Byte	N*
Output Status	N Byte	N = N or N+1

*N = Quantity of Outputs / 8, if the remainder not equal to zero, then N=N+1

Error Response

Function Code	1 Byte	0x01 or 0x02
Exception Code	1 Byte	01=Illegal Function, 02=Illegal Address, 03=Illegal Data, 04=Slave Device Failure

Here is an example of a request and response to read outputs 2–15:

Request

<i>Field Name</i>	<i>(Hex)</i>
Function	0x01
Starting Address Hi	0x00
Starting Address Lo	0x02
Quantity of Outputs Hi	0x00
Quantity of Outputs Lo	0x0D

Response

<i>Field Name</i>	<i>(Hex)</i>
Function	0x01
Byte Count	0x03
Output Status 2–10	0xCD
Output Status 11–15	0x0A

The status of outputs 2–10 is shown as the byte value 0xCD, or binary 1100 1101. Output 10 is the MSB of this byte, and output 2 is the LSB. By convention, bits within a byte are shown with the MSB to the left and the LSB to the right. Thus, the outputs in the first byte are '10 through 2', from left to right. In the last data byte, the status of outputs 15-11 is shown as the byte value 0x0A, or binary 0000 1010. Output 15 is in the fifth bit position from the left, and output 11 is the LSB of this byte. The four remaining high order bits are zero filled.

(0x03/0x04) Read Holding Registers/Read Input Registers

Read Holding/Input Registers reads the measurement data from the instrument. Issuing either of these function codes will generate the same response. These functions read the contents of one or more contiguous registers.

These registers are 16 bits each and are organized as shown below. All of the values are reported as 32-bit IEEE standard 754 floating point format. This uses 2 sequential registers, least significant 16 bits first.

The request specifies the starting register address and the number of registers. Registers are addressed starting at zero. Therefore, registers numbered 1–16 are addressed as 0–15. The register data in the response message are packed as two bytes per register, with the binary contents right justified within each byte. For each register, the first byte contains the high order bits and the second contains the low order bits.

Request

Function Code	1 Byte	0x03 or 0x04
Starting Address	2 Bytes	0x0000 to maximum allowed by instrument
Quantity of Registers	2 Bytes	1 to maximum allowed by instrument

Response

Function Code	1 Byte	0x03 or 0x04
Byte Count	1 Byte	2 x N*
Register Value	N* x 2 Bytes	N = N or N+1

*N = Quantity of Registers

Error Response

Function Code	1 Byte	Function code + 0x80
Exception Code	1 Byte	01=Illegal Function, 02=Illegal Address, 03=Illegal Data, 04=Slave Device Failure

Here is an example of a request and response to read registers 10–13:

Request

<i>Field Name</i>	<i>(Hex)</i>
Function	0x03
Starting Address Hi	0x00
Starting Address Lo	0x09
No. of Registers Hi	0x00
No. of Registers Lo	0x04

Response

<i>Field Name</i>	<i>(Hex)</i>
Function	0x03
Byte Count	0x06
Register Value Hi (10)	0x02
Register Value Lo (10)	0x2B
Register Value Hi (11)	0x00
Register Value Lo (11)	0x00

Register Value Hi (12)	0x00
Register Value Lo (12)	0x64
Register Value Hi (13)	0x00
Register Value Lo (13)	0x64

The contents of register 10 are shown as the two byte values of 0x02 0x2B. Then contents of registers 11–13 are 0x00 0x00, 0x00 0x64 and 0x00 0x64, respectively.

(0x05) Force (Write) Single Coil

The Force (Write) Single Coil function simulates the activation of the digital inputs in the instrument, which triggers the respective action.

This function code is used to set a single action to either ON or OFF. The request specifies the address of the action to be forced. Actions are addressed starting at zero. Therefore, action number 1 is addressed as 0. The requested ON/OFF state is specified by a constant in the request data field. A value of 0xFF00 requests the action to be ON. A value of 0x0000 requests it to be OFF. All other values are illegal and will not affect the output. The normal response is an echo of the request, returned after the state has been written.

Note This function will not work if the instrument is in service mode. ▲

Request

Function Code	1 Byte	0x05
Starting Address	2 Bytes	0x0000 to maximum allowed by instrument
Output Value	2 Bytes	0x0000 or 0xFF00

Response

Function Code	1 Byte	0x05
Starting Address	2 Bytes	0x0000 to maximum allowed by instrument
Output Value	2 Bytes	0x0000 or 0xFF00

Error Response

Function Code	1 Byte	Function code + 0x80
Exception Code	1 Byte	01=Illegal Function, 02=Illegal Address, 03=Illegal Data, 04=Slave Device Failure

Here is an example of a request to write Coil 5 ON:

Request

<i>Field Name</i>	<i>(Hex)</i>
Function	05
Output Address Hi	00
Output Address Lo	05
Output Value Hi	FF
Output Value Lo	00

Response

<i>Field Name</i>	<i>(Hex)</i>
Function	05
Output Address Hi	00
Output Address Lo	05
Output Value Hi	FF
Output Value Lo	00

MODBUS Parameters Supported

Table C-1 through Table C-3 lists the MODBUS addresses supported for the Model 5014i.

IMPORTANT NOTE The addresses in the following tables are Protocol Data Unit (PDU) addresses. Verify the coil number on your MODBUS master to ensure that it matches the coil number on the instrument. ▲

Note Coil status 1 indicates active state. ▲

Table C-1. Read Coils for 5014i

Coil Number	Status
0	INVALID
1	LOCAL/REMOTE
2	SERVICE
3	[NOT USED]
4	GEN ALARM
5	CONC ALARM

Coil Number	Status
6	INST ALARMS
7	DET ALARMS
8	[NOT USED]
9	RH/TEMP ALARMS
10	PRES/VAC ALARMS
11	FLOW ALARMS
12	[NOT USED]
13	[NOT USED]
14	[NOT USED]
15	EXT ALARM 1
16	EXT ALARM 2
17	EXT ALARM 3

IMPORTANT NOTE The addresses in the following tables are Protocol Data Unit (PDU) addresses. Verify the register number on your MODBUS master to ensure that it matches the register number on the instrument. ▲

Note For additional information on how to read registers and interpret the data, refer to the “(0x03/0x04) Read Holding Registers/Read Input Registers” section in this appendix. ▲

Table C–2. Read Registers for 5014i

Register Number	Variable
0	INVALID
1 & 2	PMa
3 & 4	[NOT USED]
5 & 6	BARO PRES
7 & 8	VACUUM
9 & 10	[NOT USED]
11 & 12	FLOW PRES
13 & 14	[NOT USED]
15 & 16	AMB RH
17 & 18	SAMP RH
19 & 20	[NOT USED]

MODBUS Protocol

MODBUS Parameters Supported

Register Number	Variable
21 & 22	AMB TEMP
23 & 24	BRD TEMP
25 & 26	FLOW TEMP
27 & 28	[NOT USED]
29 & 30	[NOT USED]
31 & 32	[NOT USED]
33 & 34	FLOW VOL
35 & 36	[NOT USED]
37 & 38	BETA
39 & 40	ANALOG IN 1
41 & 42	ANALOG IN 2
43 & 44	ANALOG IN 3
45 & 46	ANALOG IN 4
47 & 48	ANALOG IN 5
49 & 50	ANALOG IN 6
51 & 52	ANALOG IN 7
53 & 54	ANALOG IN 8
55 & 56	BETA RAW
57 & 58	ALPHA RAW
59 & 60	AVG PM
61 & 62	[NOT USED]
63 & 64	MASS
65 & 66	[NOT USED]
67 & 68	BETA ZERO
69 & 70	[NOT USED]
71 & 72	NEPH
73 & 74	NOT USED
75 & 76	NOT USED
77 & 78	NOT USED
79 & 80	NOT USED
81 & 82	NOT USED
83 & 84	SHARP
85 & 86	NOT USED
87 & 88	AVG SHARP

Register Number	Variable
89 & 90	NOT USED
91 & 92	EXT ALARMS
93 & 94	NEPH TEMP
95 & 96	NEPH RH
97 & 98	NEPH IRED
99 & 100	NEPH REF
101 & 102	BETA REF
103 & 104	NOT USED
105 & 106	COMMON FLAGS
107 & 108	BETA DETECTOR FLAGS
109 & 110	NOT USED
111 & 112	COMP MASS
113 & 114	NOT USED
115 & 116	AVG NEPH

IMPORTANT NOTE The addresses in the following tables are Protocol Data Unit (PDU) addresses. Verify the coil number on your MODBUS master to ensure that it matches the coil number on the instrument. ▲

Note Writing 1 to the coil number shown in the following table will initiate the “action triggered” listed in the table. This state must be held for at least 1 second to ensure the instrument detects the change and triggers the appropriate action. ▲

Note The coils within each coil group in the following table are mutually exclusive and will not be triggered if there is conflict. Before you assert (1) one coil in a group, make sure the other coils in the group are de-asserted (0). ▲

Table C–3. Write Coils for 5014i

Coil Number	Action Triggered
100	INVALID
101	[NOT USED]
102	[NOT USED]
103	[NOT USED]
104	AOUTS TO ZERO

MODBUS Protocol

MODBUS Parameters Supported

Coil Number	Action Triggered
105	AOUTS TO FS
106	FT COUNT
107	FILTER TAPE CNTRL
108	PUMP CNTRL ON/OFF
109	TEMP COMP ON/OFF
110	PRES COMP ON/OFF
111	HEATER ON/OFF
112	HTR RH/TEMP CNTRL
113	[NOT USED]
114	[NOT USED]
115	EXT ALARM 1
116	EXT ALARM 2
117	EXT ALARM 3

Appendix D

Gesytec (Bayern-Hessen) Protocol

This appendix provides a description of the Gesytec (Bayern-Hessen or BH) Protocol Interface and is supported both over RS-232/485 as well as TCP/IP over Ethernet.

The Gesytec commands that are implemented are explained in detail in this document. The Gesytec protocol support for the *iSeries* enables the user to perform the functions of reading the various concentrations and to trigger the instrument to be in sample/zero/span mode if valid for that instrument. This is achieved by using the supported Gesytec commands listed below.

Up to three simultaneous connections are supported over Ethernet.

For details of the Model 5014*i* Gesytec Protocol specification, see the following topics:

“[Serial Communication Parameters](#)” on page D-1

“[TCP Communication Parameters](#)” on page D-2

“[Instrument Address](#)” on page D-2

“[Abbreviations Used](#)” on page D-2

“[Basic Command Structure](#)” on page D-2

“[Block Checksum](#)” on page D-3

“[Gesytec Commands](#)” on page D-3

Serial Communication Parameters

The following are the communication parameters that are used to configure the serial port of the *iSeries* to support Gesytec protocol.

Number of Data bits	: 7 or 8
Number of Stop bits	: 1 or 2
Parity	: None, Odd, or Even
Data rate	: 1200 to 115200 Baud (9600 is default)

TCP Communication Parameters

iSeries instruments support the Gesytec protocol over TCP/IP. The register definition is the same as for the serial interface. Up to three simultaneous connections are supported over Ethernet.

TCP connection port for Gesytec: 9882

Instrument Address

The Gesytec instrument address has a value between 0 and 127 and is represented by a 3 digit ASCII number with leading zeros or leading spaces if required (e.g. instrument address of 1 is represented as 001 or <SP><SP>1). The default instrument address is 14.

The instrument address is the same as the Instrument ID used for C-Link and MODBUS commands. This can be set via the front panel.

The instrument address is represented by <address> in the examples throughout this document.

Note Device IDs 128 through 247 are not supported because of limitations imposed by the C-Link protocol. ▲

Abbreviations Used

The following is a list of abbreviations used in this document:

<CR> is abbreviation for Carriage Return (ASCII code 0x0D)

<STX> is abbreviation for Start of Text (ASCII code 0x02)

<ETX> is abbreviation for End of Text (ASCII code 0x03)

<SP> is abbreviation for space (ASCII code 0x20)

Basic Command Structure

The following is the basic structure of a Gesytec command:

<STX>Command text<ETX><BCC>

OR

<STX>Command text<CR>

Each command is framed by control characters, <STX> at the start and terminated with either <ETX> or <CR>.

If a command is terminated with <ETX>, then two additional characters <BCC> is attached after <ETX>. This is the block checksum.

Block Checksum Characters <BCC> may be added to the command to prevent processing invalid commands.

Block Checksum Characters <BCC>

The Block Checksum Characters are calculated beginning with a seed value of 00000000, binary (0x00), and bitwise exclusive ORing with each of the characters of the command string (or response) including the framing characters <STX> and <ETX>. The checksum works as an error check. The command terminator determines the presence or absence of <BCC>.

If a command is terminated by <ETX> then the next two characters are the checksum, if the command is terminated with <CR> no checksum is attached.

The block checksum is represented by two characters, which represent a 2 digit hex number (1byte) (e.g. 1 byte 0xAB hex checksum will be represented by the two characters 'A' & 'B').

The checksum is referred to as <BCC> throughout this document.

Gesytec Commands

The following commands are supported by the Gesytec protocol:

- Instrument Control Command (ST)
- Data Sampling/Data Query Command (DA)

Instrument Control Command (ST)

There is one control command supported by the Gesytec protocol.

This <control command> is a single letter, which triggers an action in the instrument. These commands are active only when service mode is inactive and the zero/span option is present.

Command 'N' initiates a filter change.

The following are the different acceptable formats of the ST command:

<STX>ST<address><control command><ETX><BCC>

OR

<STX>ST<address><control command><CR>

OR

<STX>ST<address><SP><control command><CR>

OR

<STX>ST<address><SP><control command><ETX><BCC>

The <address> is optional, which means it can be left out completely. The <address>, if present, must match the Instrument Address. Additional space can be present after the <address>.

If the received command does not satisfy the above formats, or if the <address> does not match the Instrument Address, the command is ignored.

This is a sample command to switch the instrument to initiate a filter change, instrument address 14:

```
<STX>ST014<SP>N<CR>
```

Data Sampling/Data Query Command (DA)

This command initiates a data transfer from the instrument. The instrument responds with measurement data, which depends on the range mode and is listed in “[Measurements reported in response to DA command](#)” below.

The command structure for a data query command is as follows:

```
<STX>DA<address><ETX><BCC>
```

The <address> is optional, which means it can be left out completely. The <address>, if present, must match the Instrument Address. Additional space can be present after the <address>.

If the <address> is left out, then no space is allowed in the query string.

A command with no address is also a valid command.

The following are the different acceptable formats of the DA command with Instrument Address 14:

```
<STX>DA<CR>
```

```
<STX>DA014<CR>
```

```
<STX>DA<SP><14<ETX><BCC>
```

```
<STX>DA<ETX><BCC>
```

The data query string is valid and will be answered with data transmission only if the command starts with <STX>, which is followed by the characters DA, and the <address> (if present) matches the Instrument Address, and the command is terminated with either <CR> with no checksum or <ETX>, followed by the correct checksum <BCC>.

Sample Data Reply String in response to Data Query Command (DA):

In response to a valid data query command, the instrument responds in the following format:

```
<STX>MD09<SP><address><SP><measured
value1><SP><status><SP><SFKT><SP><address+1><SP><measured
value2><SP><status><SP><SFKT><ETX><BCC>
```

The response uses the same command terminators as used by the received command, i.e. if the received command was terminated with a <CR> then the response is terminated with <CR>, and if the command was terminated with a <ETX><BCC>, then the response is terminated with <ETX> and the computed checksum <BCC>.

The 09 after the MD indicates that nine measurements are present in the reply string, 10 for ten measurements and so on. This will also determine the length of the reply string.

<address> is the Instrument Address. Each subsequent measurement attached to the response will have the <address + X>, where X keeps incrementing by 1 for each measurement included.

<measured value> is the concentration value in currently selected gas units, represented as exponential representation with 4 characters mantissa and 2 characters exponent, each with sign.

Mantissa: sign and 4 digits. The decimal point is assumed to be after the first digit and is not transmitted.

Exponent: sign and 2 digits.

Example:

-5384000.0 is represented as -5384+06

+0.04567 is represented as +4567-02

<status>: is formed by < operating status > and < error status > and separated by a space, i.e.:

```
<operating status><SP><error status>
```

Each of the two (<operating status> and <error status>) are formed by two characters, each representing a 2 digit hex number which is one byte (8 Bits) operation status and one byte (8 Bits) error status.

These two bytes contain the information about the main operating conditions of the instrument at that instant. For details on how to interpret the status bytes, refer to [Table D-1](#) and [Table D-2](#) below.

<SFKT>: is the space provided for future use for special function. It currently contains a string of ten 0's, i.e. <0000000000>.

The Gesytec serial number defaults to zero. To set the Gesytec serial number select Main Menu > Instrument Controls > Communication Settings > **Gesytec Serial No.**

Example of response to DA command from an instrument with Gesytec serial number set to 000. The Gesytec serial number is **bold** in the example.

Gesytec Protocol with transmission of three concentrations (Instrument ID is 1, Operation Status is 03, Error Status is 04):

Data Query String: <STX>DA<CR>

Reply String:

```
<STX>MD03<SP>001<SP>+2578+01<SP>03 <SP>04<SP>0000000000 <SP>002 <SP>
      ↑           ↑
      Address  First Concentration(E-format)=25.78           Address+1

+5681+00<SP>03<SP>04<SP>0000000000<SP>003<SP>+1175+01<SP>03<SP>04<SP>
      ↑           ↑           ↑
      Second Concentration = 5.681           Address+2   Third Concentration=11.75

0000000000<SP><CR>
```

Example of response to DA command from an instrument with Gesytec serial number set to 123. The Gesytec serial number is **bold** in the example.

Gesytec Protocol with transmission of three concentrations (Instrument ID is 1, Operation Status is 03, Error Status is 04):

Data Query String: <STX>DA<CR>

Reply String:

```
<STX>MD03<SP>001<SP>+2578+01<SP>03 <SP>04<SP>1230000000 <SP>002 <SP>
      ↑           ↑
      Address  First Concentration(E-format)=25.78           Address+1

+5681+00<SP>03<SP>04<SP>0000000000<SP>003<SP>+1175+01<SP>03<SP>04<SP>
      ↑           ↑           ↑
      Second Concentration = 5.681           Address+2   Third Concentration=11.75

1230000000<SP><CR>
```

The attached concentrations are in the selected gas units. The measurements that are attached to the response, if not valid in a particular mode, will report a value of 0.0.

Measurements reported in response to DA command

The following 9 measurements reported in response to DA command for the Model 5014*i* include:

- PM
- Mass
- Volumetric Flow
- Ambient Temperature
- Flow Temperature
- Ambient RH
- Flow Pressure
- Vacuum Pressure
- Barometric Pressure

Operating and Error Status

See [Table D-1](#) for operating status and [Table D-2](#) for error status for the Model 5014*i*.

Table D-1. Operating Status for Model 5014*i*

	D7	D6	D5	D4	D3	D2	D1	D0
→ Bit	8	7	6	5	4	3	2	1
→ Hex-value	80	40	20	10	08	04	02	01
	MSB				LSB			
Operating status:								
Service Mode (On)	0	0	0	0	0	0	0	1
Maintenance (Local)	0	0	0	0	0	0	1	0
Pump (Off)	0	0	0	0	0	1	0	0
Heater (Off)	0	0	0	0	1	0	0	0
Filter Change	0	0	0	1	0	0	0	0
Not Used	0	0	1	0	0	0	0	0
Not Used	0	1	0	0	0	0	0	0
Not Used	1	0	0	0	0	0	0	0

Table D–2. Error Status for Model 5014*i*

	D7	D6	D5	D4		D3	D2	D1	D0
→ Bit	8	7	6	5		4	3	2	1
→ Hex-value	80	40	20	10		08	04	02	01
	MSB					LSB			
Error status:									
Filter Counter	0	0	0	0		0	0	0	1
Filter Change	0	0	0	0		0	0	1	0
Beta Detector Alarm	0	0	0	0		0	1	0	0
Not Used	0	0	0	0		1	0	0	0
Detector Board Status Alarm	0	0	0	1		0	0	0	0
Motherboard Status Alarm	0	0	1	0		0	0	0	0
Flow Alarm	0	1	0	0		0	0	0	0
Not Used	1	0	0	0		0	0	0	0

Appendix E

ESM Protocol Commands

This appendix provides a description of the ESM Protocol commands (from the prior FH62 platform) that can be used to remotely control a Model 5014*i* instrument using a host device such as a PC or a datalogger. ESM protocol may be used over RS-232, RS-485 or over Ethernet. ESM functions can be accessed over Ethernet using TCP port 9884.

Up to three simultaneous connections per protocol may be made over Ethernet.

ESM Commands Supported

Table E-1 through E-3 lists the ESM commands supported for the Model 5014*i*.

Table E-1. Read Commands for 5014*i*

Command	Description
C	output of the dust mass concentration in $\mu\text{g}/\text{m}^3$ (actual mode)
HT	24 h (daily) average concentration [$\mu\text{g}/\text{m}^3$]
JB	temperature sampling head
JC	temperature dust sampling chamber
JD	temperature inside of the flow meter orifice
JF	different pressure of the air flow measuring module in Pa
JG	low pressure suction chamber
JH	barometer in hPa
JI	air flow sampling head
JJ	norm air flow (273K, 1013hPa)
JO	air flow rate regulation 0...100%
JR	relative humidity value (%RH)
JS	sample relative humidity value (%RH)
m1	non filtered mass in μg
o	reports "offline" in service mode, "online" if NOT in service mode
UA	beta count rate (1/s)
UB	beta zero count rate (1/s)

Command	Description
UC	alpha count rate (1/s)
UD	alpha zero count rate (1/s)
UQ	radon-EEC activity concentration (Bq/m ³)
V	instrument model and software version
Z	read date/time of day answer: yy-mm-dd hh:mm:ss
ZZ	read date/time answer: yymmddhhmmss
?	read device address
#	flags

Table E–2. Write Commands for 5014*i*

Command	Description
d4	baud rate
d7	device address
K4	concentration factor
KB	filter change dust load in µg
KD	filter change cycle in hours
KG	external heating
KH	set point air flow regulation in l/h
KU	establishes the RH target value
KT	establishes the temp target value
K\$	norm-Pressure
K%	norm-Temp
Y\$	write parameters to EEPROM

Table E–3. Control Commands for 5014*i*

Command	Description
A	pump off
E	pump on
F	filter change

