



Grid Monitor GM-5000 Spare Parts Catalog

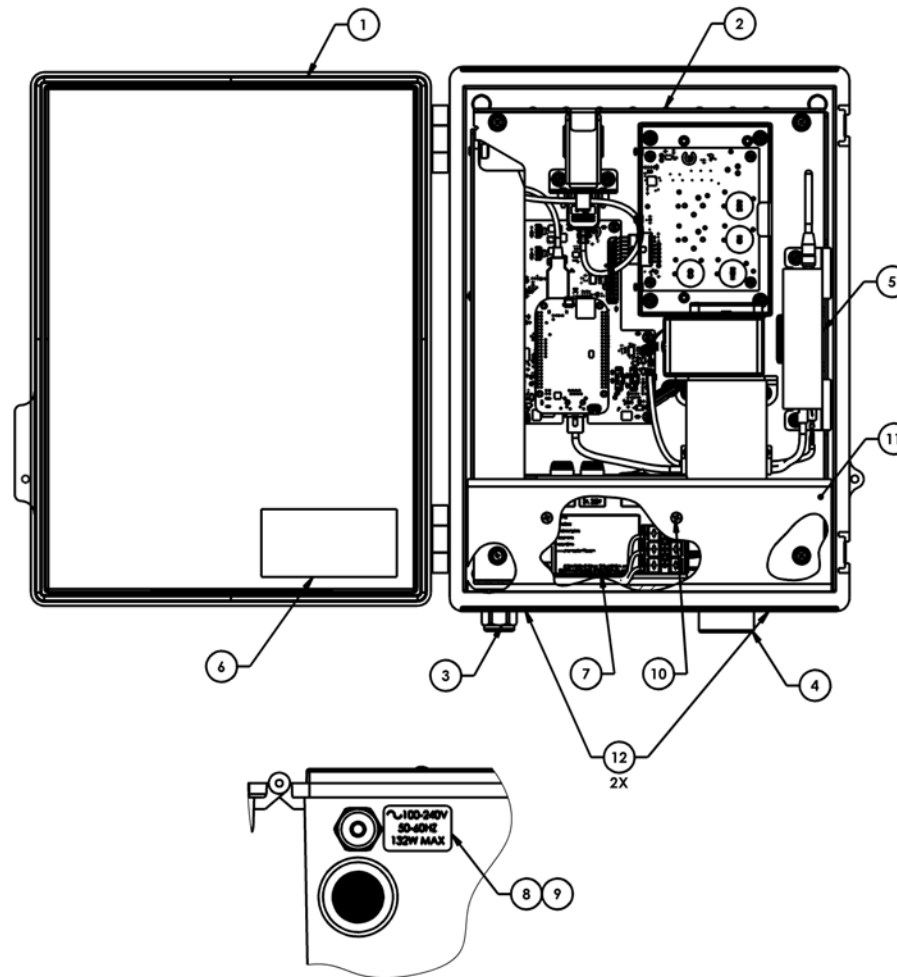
GM-5000 Spare Parts Catalog

October 2019

Table of Contents

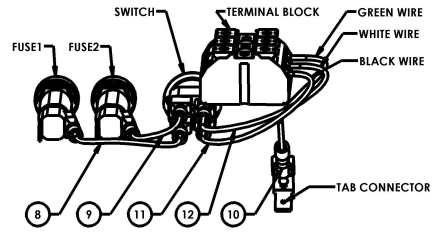
Grid Monitor Top Assembly.....	4
Grid Monitor Common Chassis	5
Grid Monitor Chassis.....	7
Grid Monitor Replacement Optical Particle Counter.....	8
Grid Monitor Inlet Tube Assembly.....	9
Grid Monitor Sensor Enclosure.....	10

Grid Monitor Top Assembly

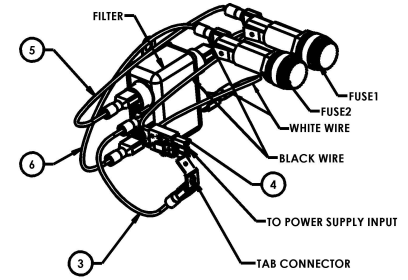


ITEM	DESCRIPTION	P/N	Qty	Component
5	ASSY, ROUTER/MODEM	118428-00	1	Spare Part
6	LABEL, FRONT PANEL, IQ MARKETING	117930-00	1	Spare Part
1	ASSY, ENCLOSURE, GRID MONITOR	118366-00	1	Not Sellable
2	ASSY, GRID MONITOR, CHASSIS	118368-XX	1	Not Sellable
3	Gland, Wire, 1/2NPT, Nylon	118364-00	1	Not Sellable
4	Grommet, 2.25 OD x 1.63 ID, EPM	118363-00		Not Sellable
7	LABEL, GM-5000, SERIAL NUMBER, MODEL CODE	TBD	1	Not Sellable
8	LABEL, INPUT POWER	119623-00	1	Not Sellable
9	OVERLAY, 2.0 X 2.8	CR013VR	1	Not Sellable
10	SCREW, MACHINE, PAN HEAD, PHILLIPS, FULL THREAD, M4, 10MM, SS	21-010316-0010	2	Not Sellable
11	SHIELD, PROTECTIVE, ELECTRICAL	119144-00	1	Not Sellable
12	Grommet, 1.75 OD x 1.13 ID, Buna-N	118362-00	2	Not Sellable

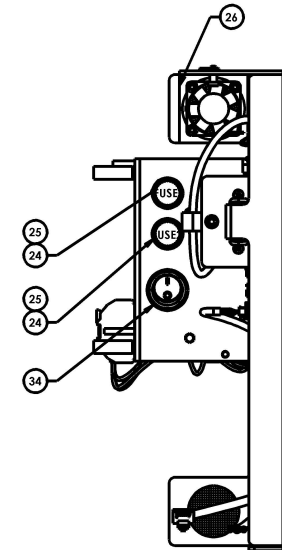
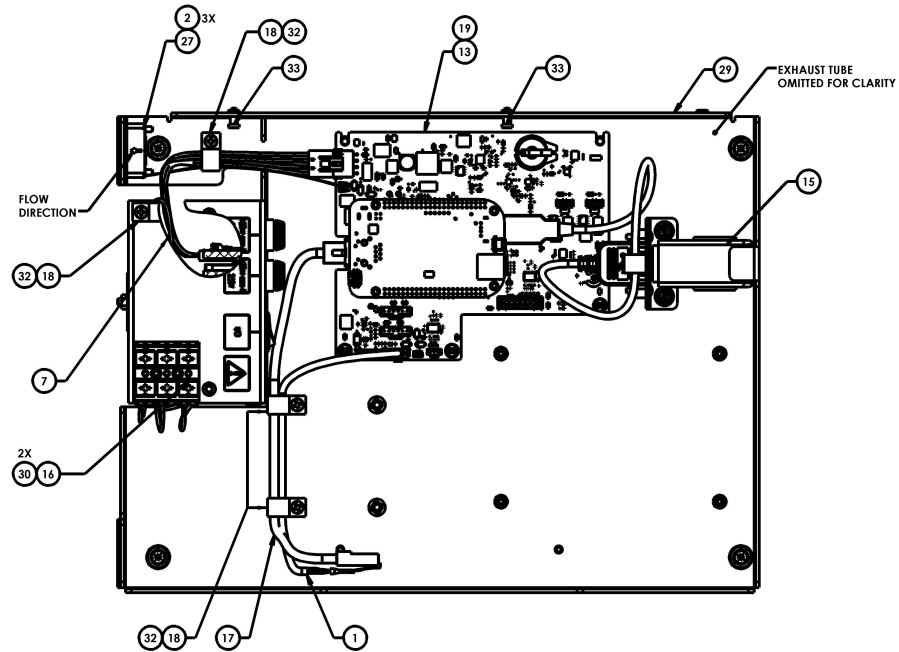
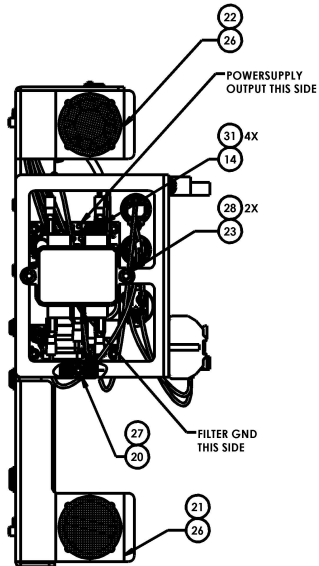
Grid Monitor Common Chassis



TERMINAL BLOCK WIRING



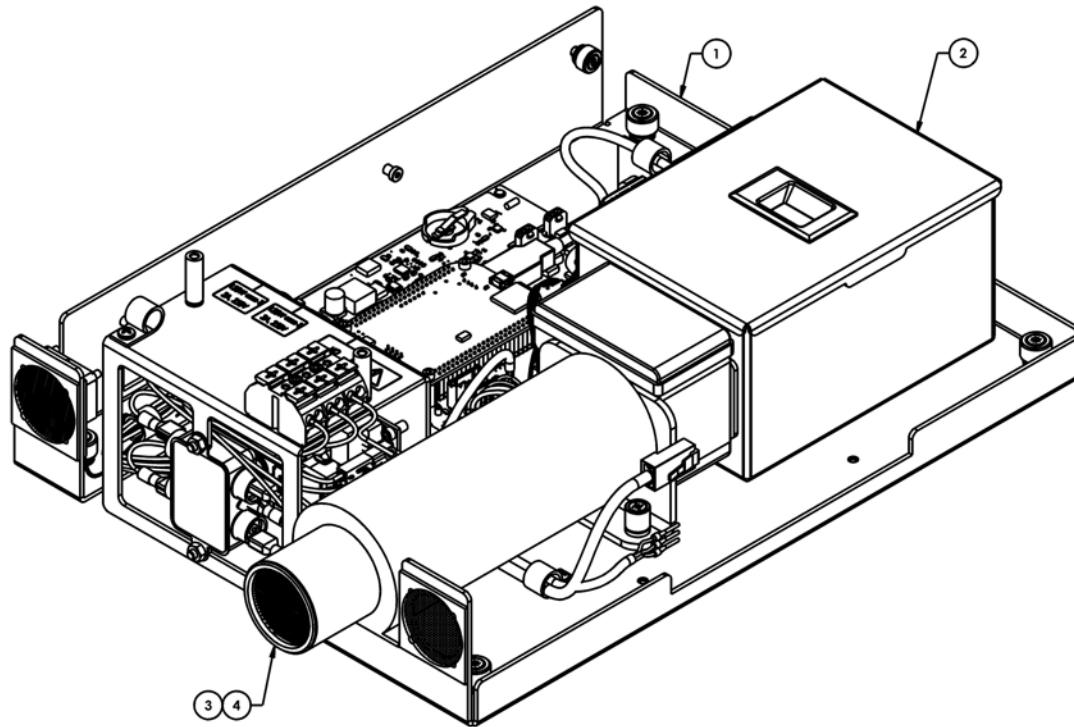
FILTER WIRING



Grid Monitor Common Chassis

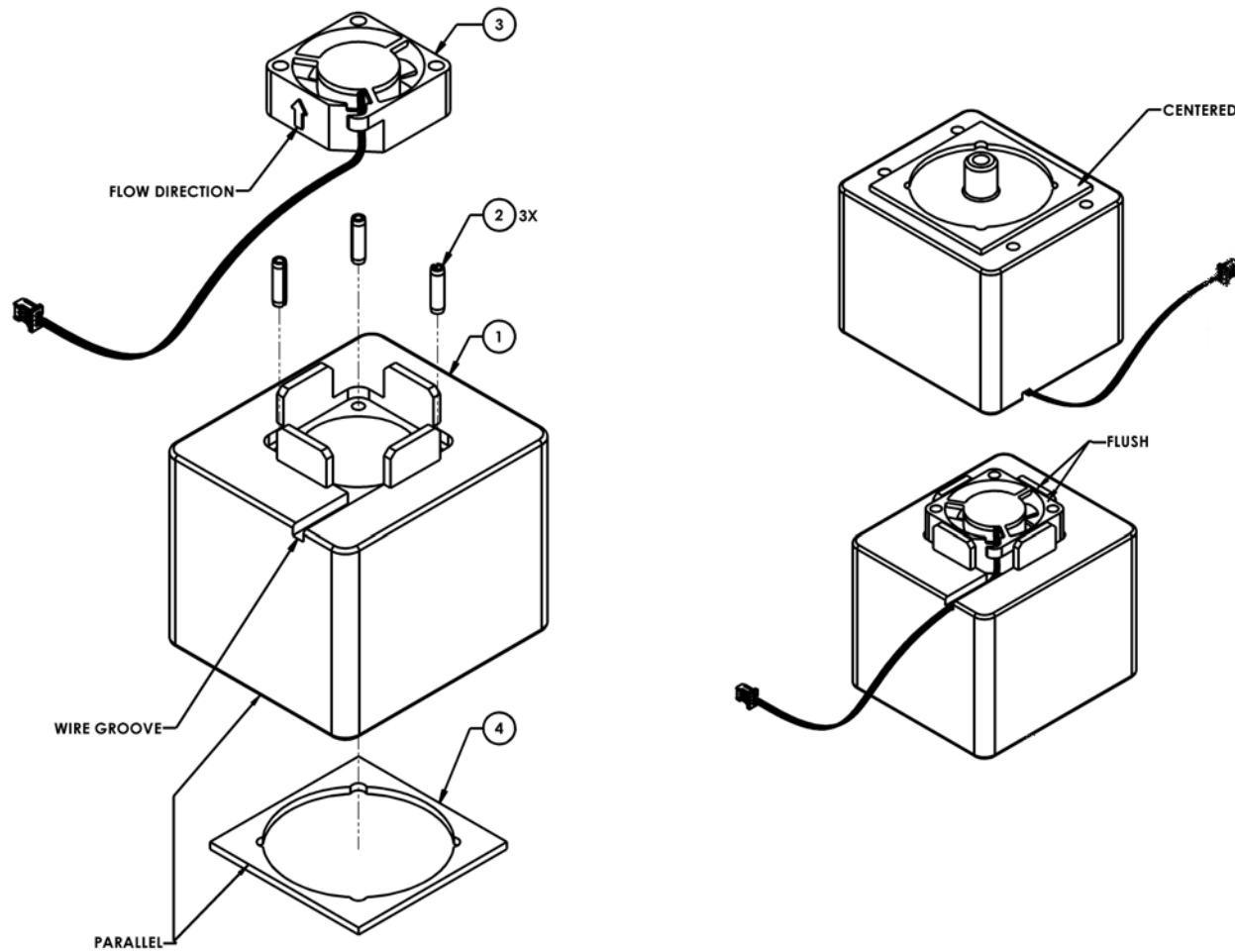
ITEM	DESCRIPTION	P/N	QTY	Component
2	ASSY, CABLE, FAN, 30X30X10MM, 5V, 3-WIRE	118420-00	1	Spare Part
13	ASSY, PCB, BEAGLEBONE, CAPE	118023-00	1	Spare Part
14	ASSY, PCB, POWER SUPPLY	118392-00	1	Spare Part
19	CARD, MICRO SD, 32GB, PROGRAMMED, GM5000	117006-5000	1	Spare Part
21	DISC, WIRE CLOTH, 100 X 100 MESH, SS	118799-00	1	Spare Part
22	DISC, WIRE CLOTH, 20 X 20 MESH, SS	118530-00	1	Spare Part
25	FUSE, TIME LAG, 2 AMP, 5X20MM	101904-00	2	Spare Part
34	SWITCH, ROCKER, DPST, 10A, 125V, BLACK	115358-00	1	Spare Part
35	TUBE, EXHAUST, ACRYLIC	118174-00	1	Spare Part
1	ASSY, CABLE, CELL MODEM POWER INPUT	118418-00	1	Not Sellable
3	ASSY, CABLE, FILTER-GND TO GND TAG, GREEN	118413-00	1	Not Sellable
4	ASSY, CABLE, FILTER-OUT TO PWR SUPPLY-IN	118415-00	1	Not Sellable
5	ASSY, CABLE, FUSE1 TO FILTER-IN, BLACK	118409-00	1	Not Sellable
6	ASSY, CABLE, FUSE2 TO FILTER-IN, WHITE	118410-00	1	Not Sellable
7	ASSY, CABLE, POWER INPUT, BEAGLEBONE, CAPE	118416-00	1	Not Sellable
8	ASSY, CABLE, SWITCH TO FUSE1, BLACK	118407-00	1	Not Sellable
9	ASSY, CABLE, SWITCH TO FUSE2, WHITE	118408-00	1	Not Sellable
10	ASSY, CABLE, TERM BLOCK TO GND TAG, GREEN	118414-00	1	Not Sellable
11	ASSY, CABLE, TERM BLOCK TO SWITCH, BLACK	118411-00	1	Not Sellable
12	ASSY, CABLE, TERM BLOCK TO SWITCH, WHITE	118412-00	1	Not Sellable
15	ASSY, WIFI BRACKET	118533-00	1	Not Sellable
16	BLOCK, TERMINAL, 2 ROW, 3 POSITION, PANEL MOUNT	118391-00	1	Not Sellable
17	CABLE ASSY, CAT5E, BLACK, 2FT	118396-00	1	Not Sellable
18	CABLE HOLDER, 3/8, FASTENER MOUNT, FLEXIBLE J LOOP	113135-00	4	Not Sellable
20	CONN, QC, .250 TABS, MALE, 45°, BRASS	118655-00	1	Not Sellable
23	FILTER, EMI, 3A, SPADE TERM, CASE STYLE A	118400-00	1	Not Sellable
24	FUSE HOLDER, CART, 250V 10A, PANEL MOUNT	118382-00	2	Not Sellable
26	GASKET, RUBBER, ADHESIVE BACKED, 50A DUROMETER	118339-00	3	Not Sellable
27	NUT, HEX, JAM, COARSE THREAD, M3, SS	21-012332-0030	4	Not Sellable
28	NUT, HEX, REGULAR, COARSE THREAD, M4, SS	21-001567-0040	2	Not Sellable
29	PLATE, GRID MONITOR	118193-00	1	Not Sellable
30	SCREW, CAP, SOCKET HEAD, FULL THREAD, M3, 20MM, SS	21-005364-0020	2	Not Sellable
31	SCREW, CAP, SOCKET HEAD, FULL THREAD, M3, 4MM, SS	21-005364-0004	4	Not Sellable
32	SCREW, MACHINE, PAN HEAD, PHILLIPS, FULL THREAD, M3.5, 5MM, SS	21-012338-0005	4	Not Sellable
33	SCREW, SHOULDER, PRECISION, LOW-PROFILE, Ø4MM, M3, 5MM, SS	21-012340-0005	2	Not Sellable

Grid Monitor Chassis



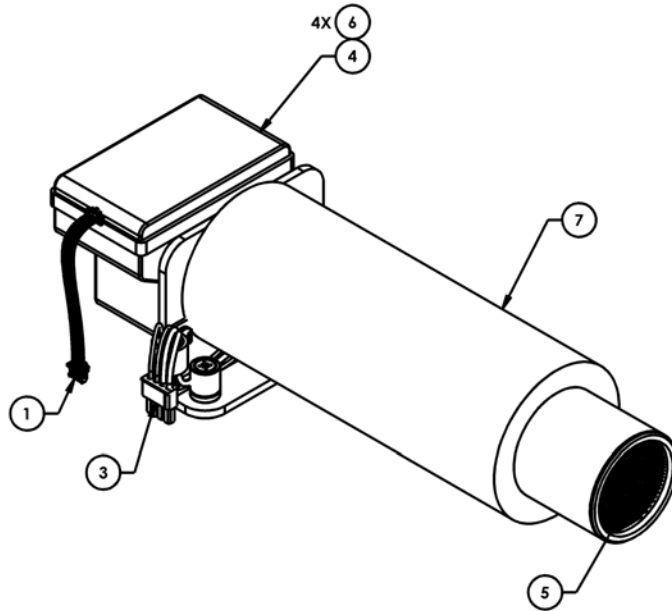
ITEM	DESCRIPTION	P/N	Qty	Component
1	ASSY, COMMON, GRID MONITOR, CHASSIS	118542-00	1	Not Sellable
2	ASSY, ENCLOSURE, SENSOR	118369-00	1	Not Sellable
3	ASSY, INLET TUBE	118367-01	1	Not Sellable
4	ASSY, INLET TUBE	118367-02	1	Not Sellable

Grid Monitor Replacement Optical Particle Counter

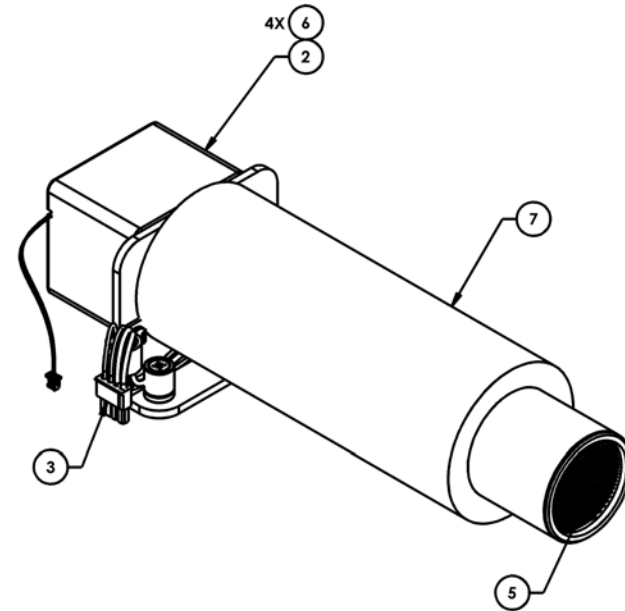


ITEM	DESCRIPTION	P/N	QTY	Component
3	ASSY, FAN, 25MM X 25MM	118474-00	1	Spare Part
1	REPLACEMENT, BLANK, OPC	118373-00	1	Not Sellable
2	PIN, SPRING, SLOTTED, 3/32" DIA, 3/8" LONG, 18-8 SS	118425-00	3	Not Sellable
4	GASKET, RUBBER, ADHESIVE BACKED, 50A DUROMETER	118339-00	1	Not Sellable

Grid Monitor Inlet Tube Assembly



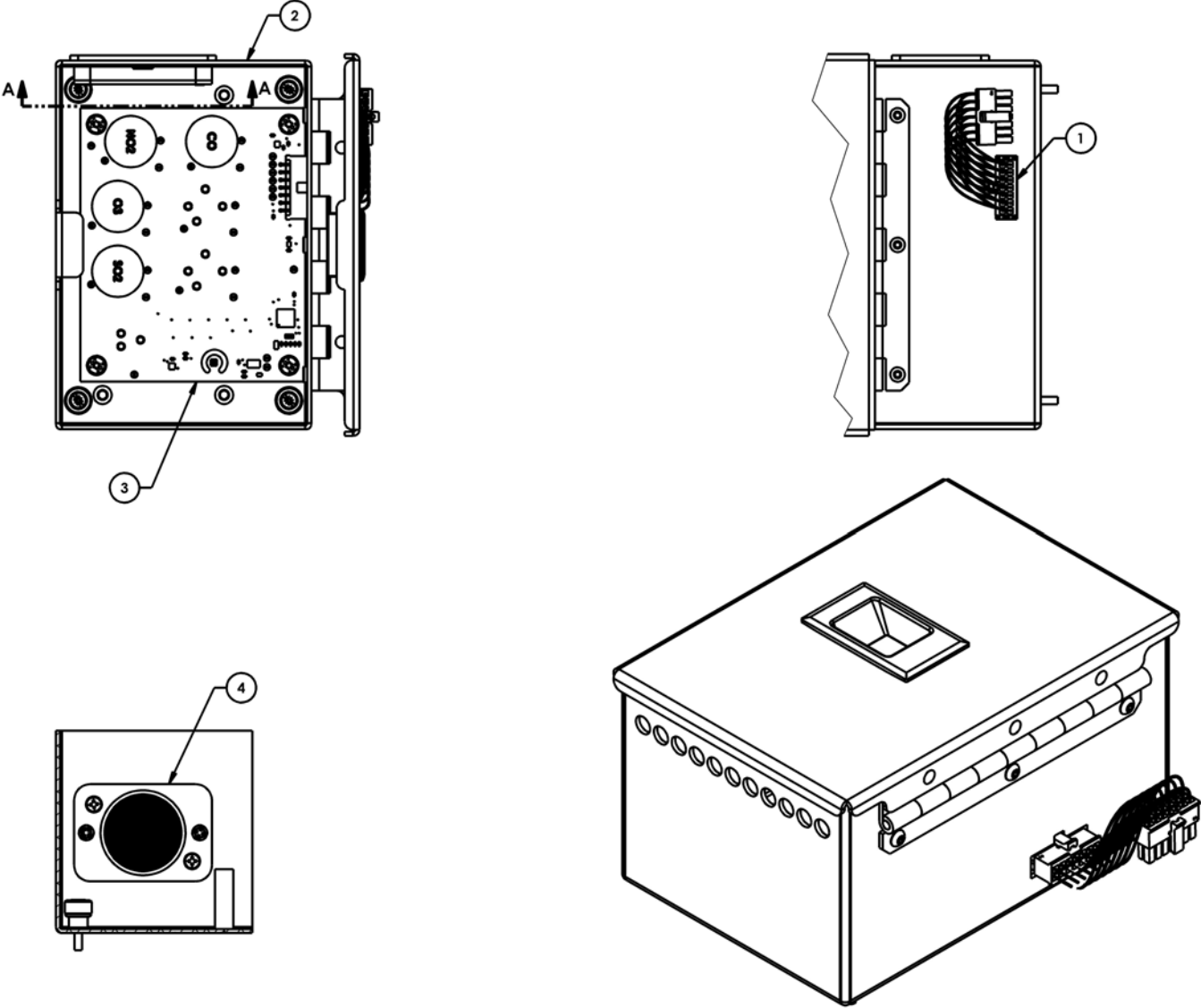
WITH OPTICAL PARTICLE COUNTER



WITHOUT OPTICAL PARTICLE COUNTER

ITEM	DESCRIPTION	P/N	Qty	Component
1	ASSY, CABLE ALPHA SENSE OPTICAL PARTICLE COUNTER	118419-00	1	Spare Part
2	ASSY, REPLACEMENT, OPTICAL PARTICAL COUNTER	118374-00	1	Spare Part
3	ASSY, WELDED INLET TUBE	118592-00	1	Spare Part
4	COUNTER, PARTICLE, OPTICAL	118372-00	1	Spare Part
5	DISC, WIRE CLOTH, 20 X 20 MESH, SS	118530-00	1	Spare Part
7	TUBE, UNSLIT, INSULATION, FOAM, 1-5/8 ID X 3/8 WALL	118908-00	11	Spare Part
6	SCREW, MACHINE, FLAT HEAD, PHILLIPS, FULL THREAD, M3, 8MM, SS	21-007488-0008	4	Not Sellable

Grid Monitor Sensor Enclosure



ITEM	DESCRIPTION	P/N	QTY	Component
3	ASSY, PCB, GM SENSOR INTERFACE, CALIBRATED	117520-01	1	Spare Part
1	ASSY, CABLE, SENSOR INTERFACE BOARD	118417-00	1	Not Sellable
2	ASSY, HOUSING, SENSOR	118802-00	1	Not Sellable
4	ASSY, RETAINER, FILTER	119622-00	1	Not Sellable



USA

27 Forge Parkway
Franklin, MA 02038
Ph: (866) 282-0430
Fax: (508) 520-2800
orders.aqi@thermofisher.com

India

G/327, TTC Industrial Area
MIDC Pawane
New Mumbai 400 705, India
Ph: +91 22 4157 8800
india@thermofisher.com

China

8/F Bldg C of Global Trade Ctr,
No.36, North 3rd Ring Road,
Dong Cheng District
Beijing, China 100013
Ph: +86 10 84193588
info.eid.china@thermofisher.com

Europe

Ion Path, Road Three,
Winsford, Cheshire CW73GA UK
Ph: +44 1606 548700
Fax: +44 1606 548711
sales.epm.uk@thermofisher.com