

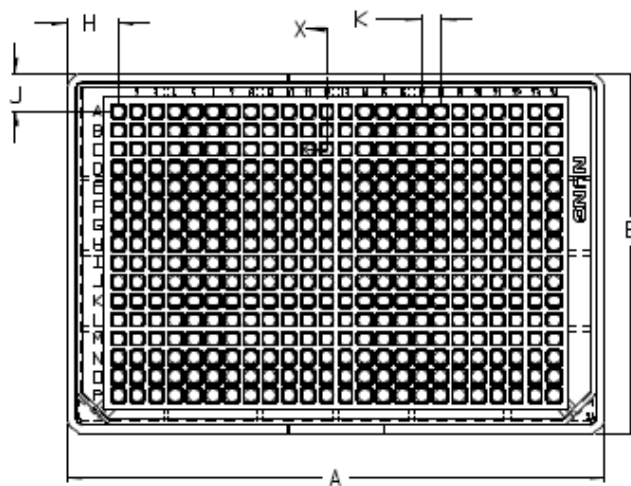
**General Arrangement Drawings
384-Well Plates for Chromatography**

| Cat.No. | Description | A | B | C | D | E | F | G | H | J | K | L | M | N |
|--------------------------|--|-------|------|-------|------|-----|------|-----|------|---|-----|------|-----|-----|
| 60180-P106 60180-P136 | 384-Shallow Well Standard Height Microplate-U | 127.8 | 85.5 | 123.5 | 81.2 | 2.5 | 14.4 | 3.4 | 12.1 | 9 | 4.5 | 6.6 | 2.5 | 2.5 |
| 60180-P107 60180-P137 | 384-Well Deep Well Microplate | 127.8 | 85.5 | 123.5 | 81.2 | 2.5 | 22 | 3.4 | 12.1 | 9 | 4.5 | 19.5 | 2.5 | 2.5 |
| 60180-P108 60180-P138 | 384- Standard Height Microplate | 127.8 | 85.5 | 123.5 | 81.2 | 2.5 | 14.4 | 3.4 | 12.1 | 9 | 4.5 | 19.5 | 2.5 | 2.5 |
| 60180-P109 60180-P139 | 384- Shallow Well Standard Height Microplate-V | 127.8 | 85.5 | 123.5 | 81.2 | 2.5 | 14.4 | 3.4 | 12.1 | 9 | 4.5 | 6.6 | 2.5 | 2.5 |

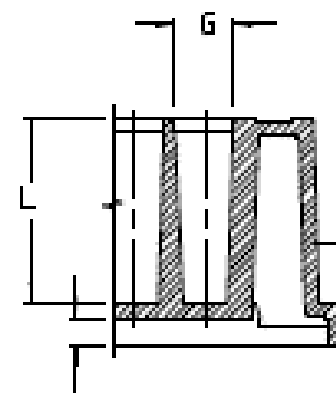
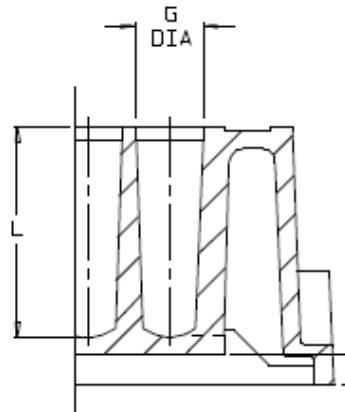
60180-P107 60180-P137

60180-P108/60180-P138

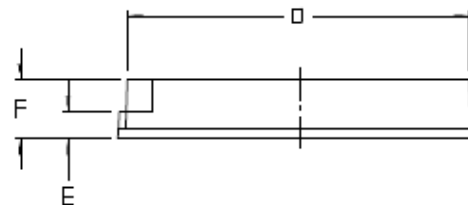
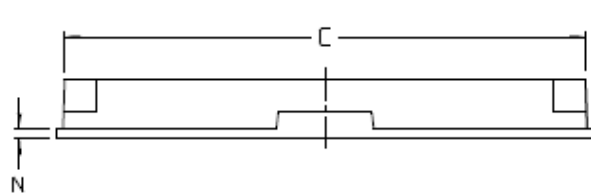
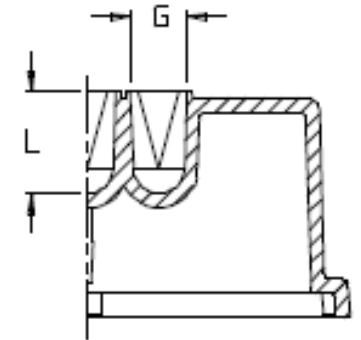
**60180-P106 60180-P136
60180-P109 60180-P139**



TOP VIEW



X-X



Notes.
Drawings are for instrument set-up purposes and are not manufacturing drawings
Thermo Fisher Scientific is providing information that has been supplied by the original manufacturer and is not responsible for subsequent changes or modifications.