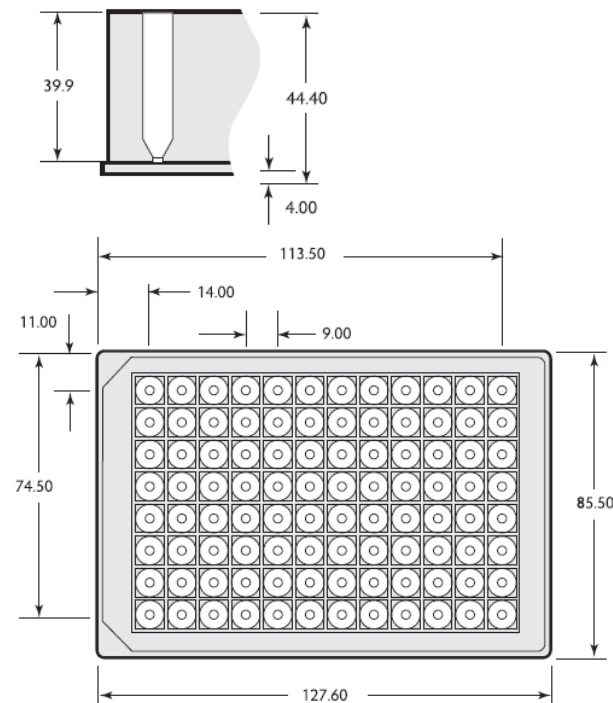
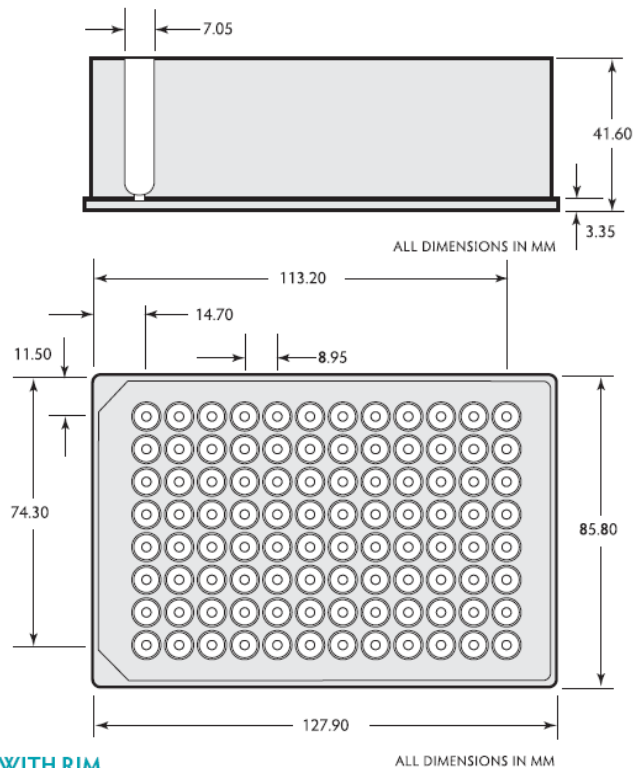


**General Arrangement Drawings  
Deepwell Plates for Chromatography-Certified**

Cat.No.	Description	A	B	F	G1	H	J	K	L	M	N
		BASE LENGTH	BASE WIDTH	OVERALL HEIGHT	DIA TOP	A - I LOCATION (X)	A - I LOCATION (Y)	WELL TO WELL SPACING	WELL DEPTH	BOTTOM OF WELL DISTANCE	FLANGE SHORT SIDE
60180-P201 60180-P211	Round Well	127.90	85.80	41.60	7.05	14.70	11.50	8.95	39.9	3.35	3.35
60180-P202 60180-P212	Square Well	127.60	85.50	44.40	8.30	14.00	11.00	9.00	39.90	4.00	4.00
60180-P209 60180-P219	Round Well	127.60	85.50	27.00	7.05	14.70	11.50	8.95	23.65	3.35	3.35

**60180-P201/60180-P211/60180-P209/60180-P219**

**60180-P202/60180-P212**



**Notes.**

Drawings are for instrument set-up purposes and are not manufacturing drawings

Thermo Fisher Scientific is providing information that has been supplied by the original manufacturer and is not responsible for subsequent changes or modifications.

All dimensions mm