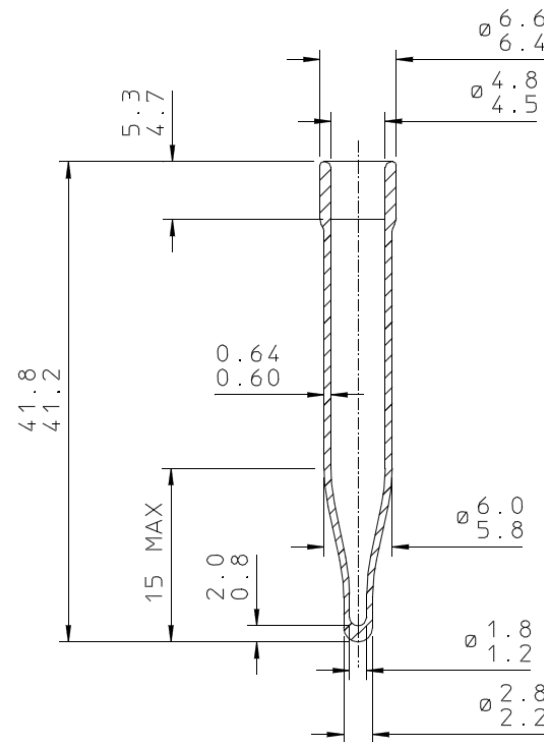
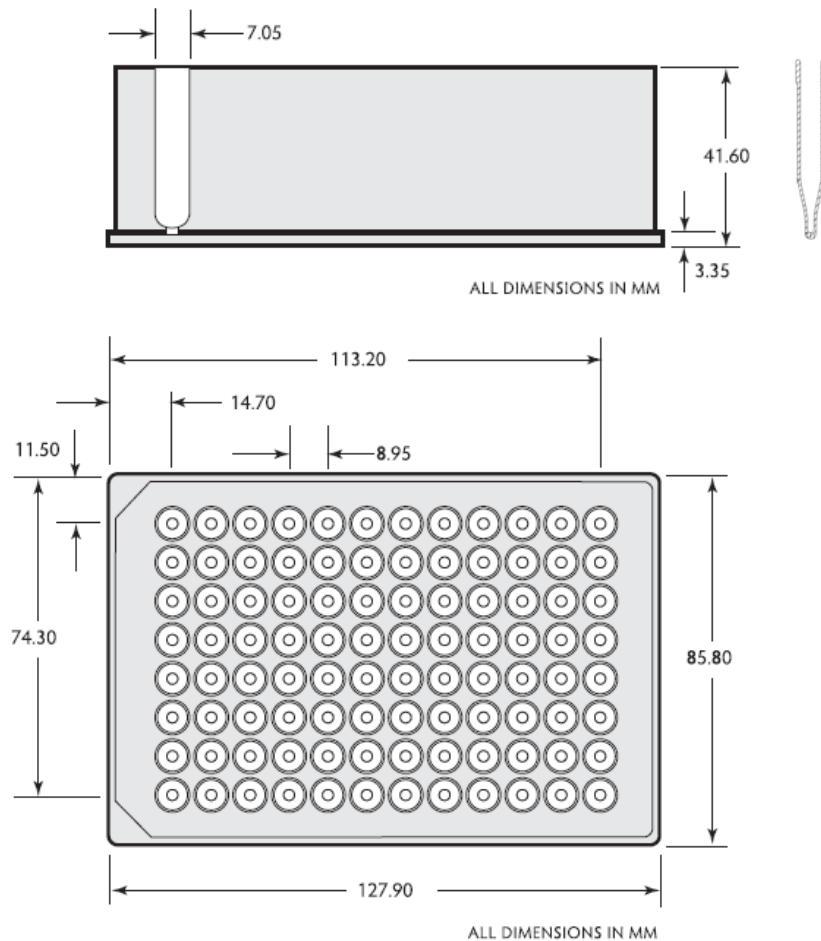


**General Arrangement Drawings
Deepwell Plate Kits for Chromatography-G3**

Cat.No.	Description	A	B	F	G1	H	J	K	L	M	N
60180-K101	96 WELL MICROTITER PLATE 700UL GLASS VIALS, MATS,	BASE LENGTH	BASE WIDTH	OVERALL HEIGHT	DIA TOP	A - I LOCATION (X)	A - I LOCATION (Y)	WELL TO WELL SPACING	WELL DEPTH	BOTTOM OF WELL DISTANCE	FLANGE SHORT SIDE
		127.90	85.80	41.60	7.05	14.70	11.50	8.95	39.9	3.35	3.35

60180-P201/60180-P211

60180-V101



Notes.

Drawings are for instrument set-up purposes and are not manufacturing drawings.

Thermo Fisher Scientific is providing information that has been supplied by the original manufacturer and is not responsible for subsequent changes or modifications.

All dimensions mm