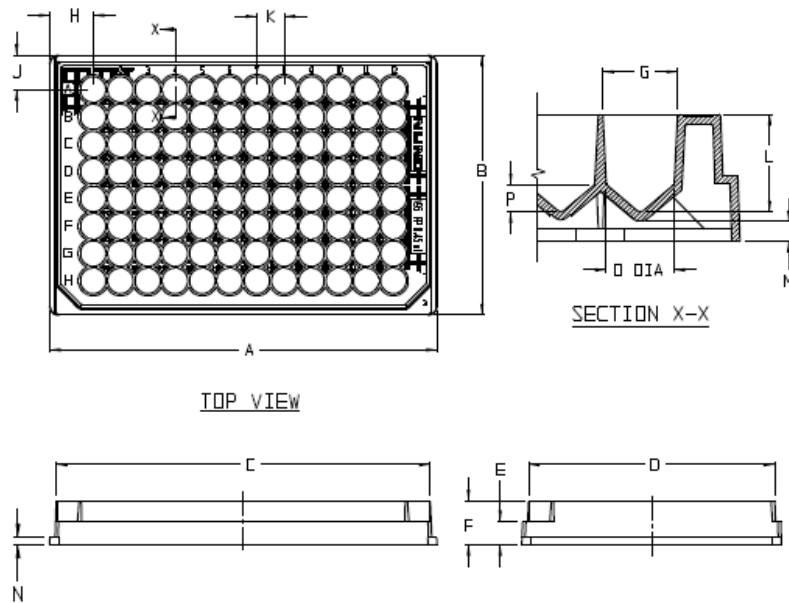


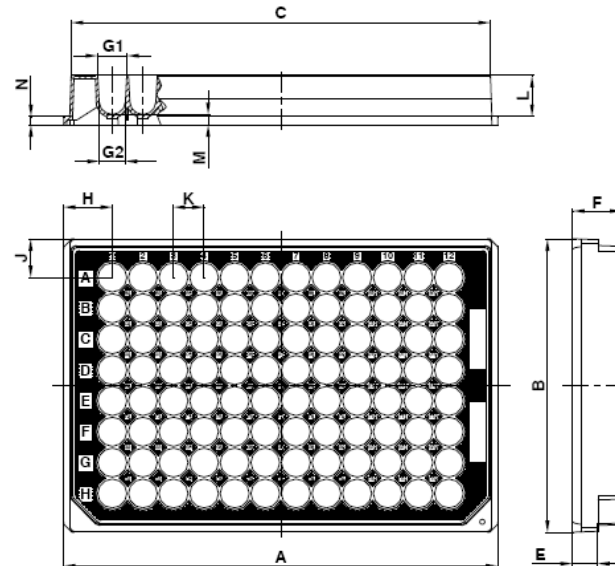
**General Arrangement Drawings
Microplates for Chromatography**

Cat.No.	Description	A	B	C	D	E	F	G1	G2	H	J	K	L	M	N
60180-P100 60180-P130	96-Well MicroWell Microplate, round well; V-Shape, 8mm dia	127.8	85.7	123	81.2	7.5	14.4	Ø8.5	Ø7.6	14.2	11.3	9	11	2.5	2.3
60180-P102 60180-P132	96-Well MicroWell Microplate, round well; U-shape, 8mm dia.	127.8	85.7	123	80.9	7.5	14.5	Ø8.5	Ø7.7	14.3	11.3	9	11.2	3.1	2.5

60180-P100/60180-P130



60180-P102/60180-P132



Notes.

Drawings are for instrument set-up purposes and are not manufacturing drawings

Thermo Fisher Scientific is providing information that has been supplied by the original manufacturer and is not responsible for subsequent changes or modifications.