

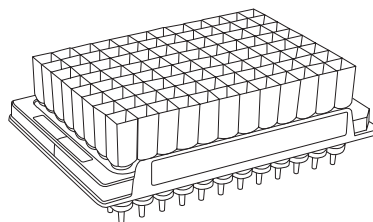
SOLA μ SPE well plates

Manifold set-up considerations for micro elution SPE well plates

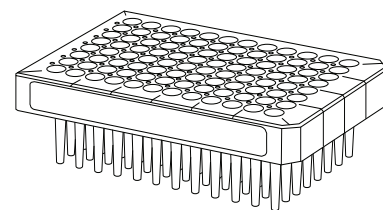


1

The Thermo Scientific™ SOLA μ ™ Solid Phase Extraction (SPE) well plate is used in exactly the same way as standard micro elution plates. However, not all micro elution solid phase extraction (SPE) plate formats are the same. Some adjustment of the manifold may be required.



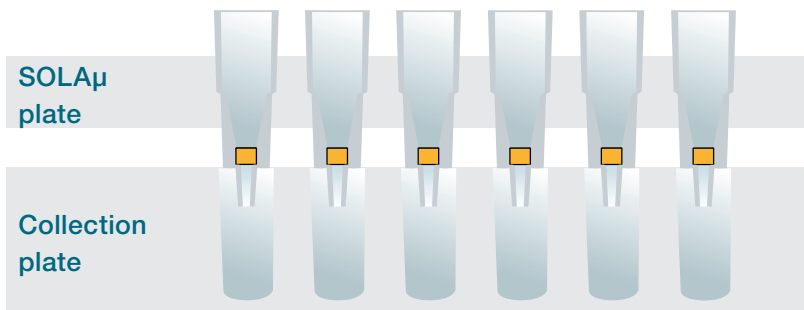
SOLA μ SPE well plate



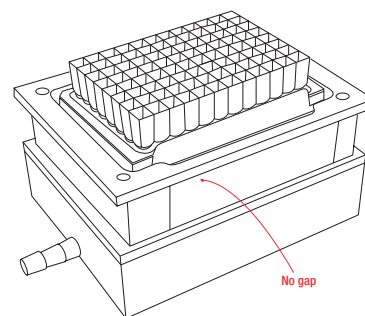
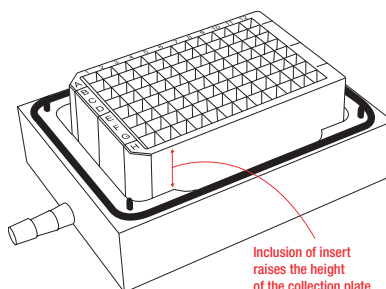
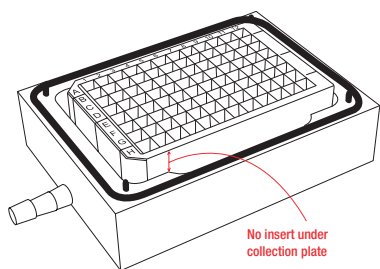
Competitor well plate

2

- Make sure the SPE plate fits directly onto the collection plate
- Make sure the tips of the SPE plate fit into the wells of the collection plate
- A spacer/riser maybe required to adjust the height



3



- Make sure an effective seal is obtained when the vacuum is applied – you should not be able to remove the SPE plate from the manifold with out force
- **Note – you may experience more controlled flow and a requirement for higher pressure with the SOLA μ plate (due to its advanced fritless design) which allows for better interaction with the sorbent and sample.**

Find out more at [thermofisher.com/solaspe](https://www.thermofisher.com/solaspe)

ThermoFisher
SCIENTIFIC