

CATALOG NO.	** NOMINAL CAPACITY, (mL)					MATERIAL
001201	30	50	100	150	250	PP

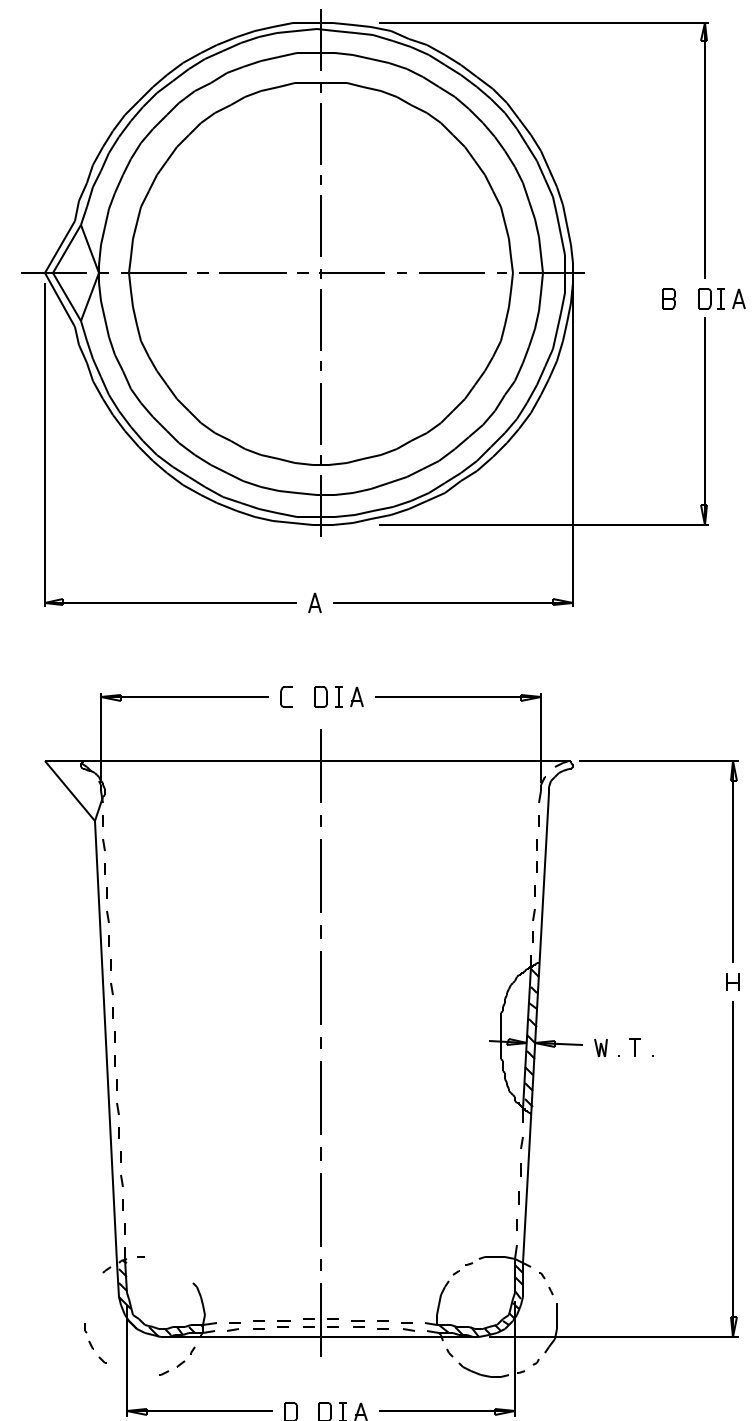
** FOR OTHER 5 SIZES (400, 600, 1000, 2000, 4000mL), SEE PSS 00-1201-XXXX-2

SIZE CODE.....	-0030		-0050		-0100	
NOM. CAP. (mL).....	30		50		100	
NOM. BRIM CAP (mL)...	45		78		160	
NOM. WT. (gms).....	7		11		19	
	INCH	MM	INCH	MM	INCH	MM
A (DIM. W/SPOUT)....	1.70 ±0.02	43.2 ±0.5	2.01 ±0.03	51.1 ±0.8	2.48 ±0.03	63.0 ±0.8
B (O.D. AT LIP).....	1.58 ±0.02	40.1 ±0.5	1.86 ±0.03	47.2 ±0.8	2.37 ±0.03	60.2 ±0.8
C (I.D. AT TOP).....	1.50 ±0.02	38.1 ±0.5	1.78 ±0.03	45.2 ±0.8	2.25 ±0.03	57.2 ±0.8
D (I.D. AT BOTTOM)...	1.32 ±0.02	33.5 ±0.5	1.54 ±0.02	39.1 ±0.5	1.97 ±0.03	50.0 ±0.8
H (HEIGHT).....	1.95 ±0.02	49.5 ±0.5	2.33 ±0.03	59.2 ±0.8	2.92 ±0.03	74.2 ±0.8
W.T. (NOM WALL THK):	0.05	1.3	0.05	1.3	0.06	1.5

SIZE CODE.....	-0150		-0250	
NOM. CAP. (mL).....	150		250	
NOM. BRIM CAP (mL)...	230		360	
NOM. WT. (gms).....	28		39	
	INCH	MM	INCH	MM
A (DIM. W/SPOUT)....	2.84 ±0.03	72.1 ±0.8	3.29 ±0.03	83.6 ±0.8
B (O.D. AT LIP).....	2.69 ±0.03	68.3 ±0.8	3.14 ±0.03	79.8 ±0.8
C (I.D. AT TOP).....	2.56 ±0.03	65.0 ±0.8	3.02 ±0.03	76.7 ±0.8
D (I.D. AT BOTTOM)...	2.22 ±0.03	56.4 ±0.8	2.60 ±0.03	66.0 ±0.8
H (HEIGHT).....	3.26 ±0.03	82.8 ±0.8	3.67 ±0.03	93.2 ±0.8
W.T. (NOM WALL THK):	0.06	1.5	0.07	1.8

NOTES:

1. ALL DIMENSIONS ARE NOMINAL AND IN INCHES AND MILLIMETERS UNLESS OTHERWISE NOTED.
2. THIS IS NOT A PRODUCTION DRAWING, BUT IS FOR INFORMATIONAL PURPOSES ONLY, AND IS SUBJECT TO CHANGE WITHOUT NOTICE.



SPECS ON BACK

NOT TO SCALE

CONFIDENTIAL

THIS PRODUCT SPECIFICATION SHEET CONTAINS CONFIDENTIAL AND/OR PROPRIETARY INFORMATION AND IS TO BE USED ONLY FOR THE EXPRESSED PURPOSES AGREED UPON BY AN AUTHORIZED OFFICER OF THERMO FISHER SCIENTIFIC.

ThermoFisher
SCIENTIFIC

Thermo Fisher Scientific
75 Panorama Creek Drive
Rochester, NY 14625-2385, USA

MADE	JGJ	APP'D	PVC	PSS 00-1201-XXXX-1	REV.	0595
CK'D	PVC		5/3/95			

DESCRIPTION:
GRIFFIN LOW-FORM BEAKERS