

| CATALOG NO. | ** NOMINAL CAPACITY, (mL) |    |     |     |     | MATERIAL |
|-------------|---------------------------|----|-----|-----|-----|----------|
| 001203      | 30                        | 50 | 100 | 150 | 250 | PMP      |

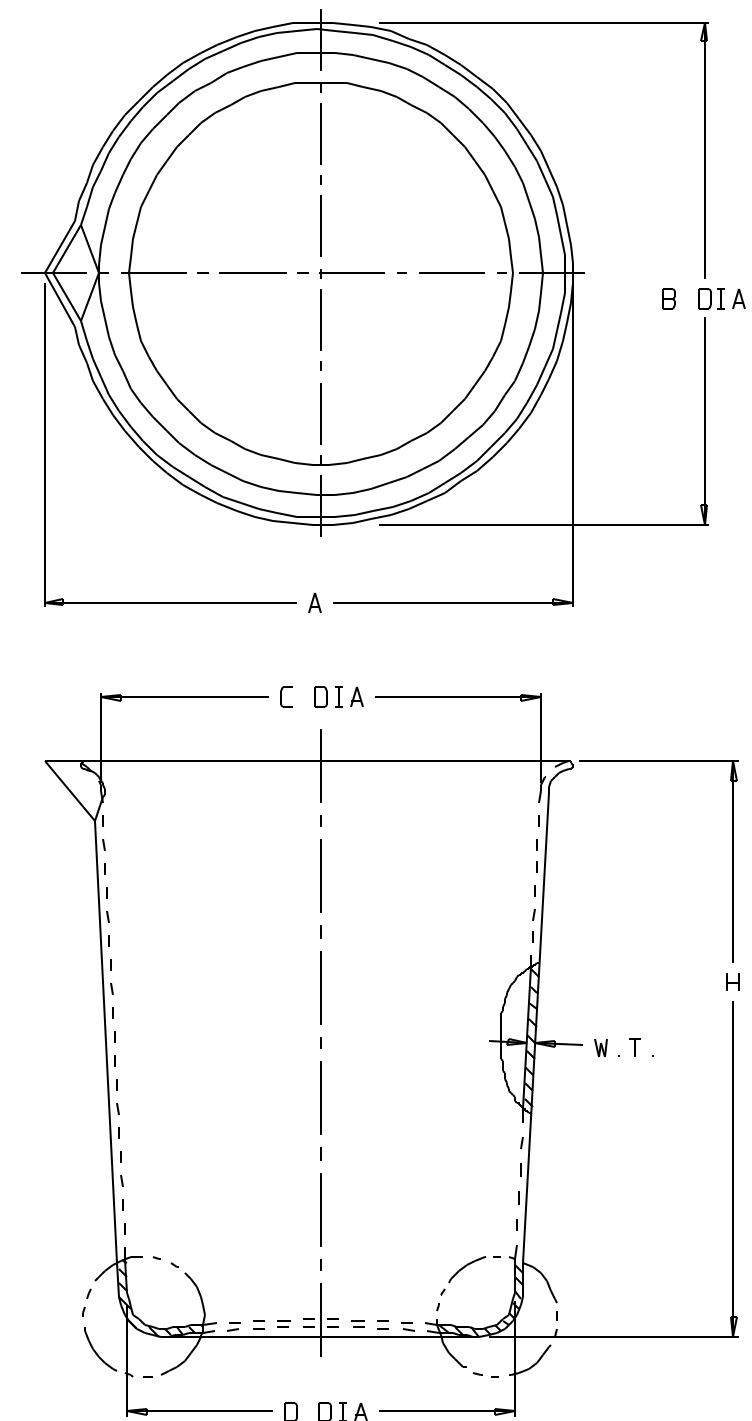
\*\* FOR OTHER 5 SIZES (400, 600, 1000, 2000, 4000), SEE PSS 00-1203-XXXX-2

| SIZE CODE.....       | -0030      |           | -0050      |           | -0100      |           |
|----------------------|------------|-----------|------------|-----------|------------|-----------|
| NOM. CAP. (mL).....  | 30         |           | 50         |           | 100        |           |
| NOM. BRIM CAP (mL).. | 46         |           | 77         |           | 160        |           |
| NOM. WT. (gms).....  | 7          |           | 10         |           | 18         |           |
|                      | INCH       | MM        | INCH       | MM        | INCH       | MM        |
| A (DIM. W/SPOUT)...  | 1.84 ±0.02 | 46.7 ±0.5 | 2.18 ±0.02 | 55.4 ±0.5 | 2.79 ±0.03 | 70.9 ±0.8 |
| B (O.D. AT LIP)..... | 1.70 ±0.02 | 43.2 ±0.5 | 1.98 ±0.02 | 50.3 ±0.5 | 2.52 ±0.03 | 64.0 ±0.8 |
| C (I.D. AT TOP)..... | 1.50 ±0.02 | 38.1 ±0.5 | 1.76 ±0.02 | 44.7 ±0.5 | 2.27 ±0.03 | 57.7 ±0.8 |
| D (I.D. AT BOTTOM).. | 1.30 ±0.02 | 33.0 ±0.5 | 1.52 ±0.02 | 38.6 ±0.5 | 1.95 ±0.02 | 49.5 ±0.5 |
| H (HEIGHT).....      | 1.95 ±0.02 | 49.5 ±0.5 | 2.32 ±0.03 | 59.0 ±0.8 | 2.90 ±0.03 | 73.7 ±0.8 |
| W.T. (NOM WALL THK): | 0.05       | 1.3       | 0.05       | 1.3       | 0.06       | 1.5       |

| SIZE CODE.....       | -0150      |           | -0250      |           |
|----------------------|------------|-----------|------------|-----------|
| NOM. CAP. (mL).....  | 150        |           | 250        |           |
| NOM. BRIM CAP (mL).. | 230        |           | 360        |           |
| NOM. WT. (gms).....  | 26         |           | 36         |           |
|                      | INCH       | MM        | INCH       | MM        |
| A (DIM. W/SPOUT)...  | 3.13 ±0.03 | 79.5 ±0.8 | 3.60 ±0.03 | 91.4 ±0.8 |
| B (O.D. AT LIP)..... | 2.83 ±0.03 | 71.9 ±0.8 | 3.31 ±0.03 | 84.1 ±0.8 |
| C (I.D. AT TOP)..... | 2.54 ±0.03 | 64.5 ±0.8 | 3.01 ±0.03 | 76.5 ±0.8 |
| D (I.D. AT BOTTOM).. | 2.20 ±0.03 | 55.9 ±0.8 | 2.62 ±0.03 | 66.5 ±0.8 |
| H (HEIGHT).....      | 3.26 ±0.03 | 82.8 ±0.8 | 3.65 ±0.03 | 92.7 ±0.8 |
| W.T. (NOM WALL THK): | 0.07       | 1.8       | 0.07       | 1.8       |

NOTES:

1. ALL DIMENSIONS ARE NOMINAL AND IN INCHES AND MILLIMETERS UNLESS OTHERWISE NOTED.
2. THIS IS NOT A PRODUCTION DRAWING, BUT IS FOR INFORMATIONAL PURPOSES ONLY, AND IS SUBJECT TO CHANGE WITHOUT NOTICE.



SPECS ON BACK

NOT TO SCALE

CONFIDENTIAL

THIS PRODUCT SPECIFICATION SHEET CONTAINS CONFIDENTIAL AND/OR PROPRIETARY INFORMATION AND IS TO BE USED ONLY FOR THE EXPRESSED PURPOSES AGREED UPON BY AN AUTHORIZED OFFICER OF THERMO FISHER SCIENTIFIC.

**ThermoFisher**  
SCIENTIFIC

Thermo Fisher Scientific  
75 Panorama Creek Drive  
Rochester, NY 14625-2385, USA

|      |     |       |        |                    |      |      |
|------|-----|-------|--------|--------------------|------|------|
| MADE | JGJ | APP'D | PVC    | PSS 00-1203-XXXX-1 | REV. | 0595 |
| CK'D | PVC |       | 5/3/95 |                    |      |      |

DESCRIPTION:  
GRIFFIN LOW-FORM BEAKERS