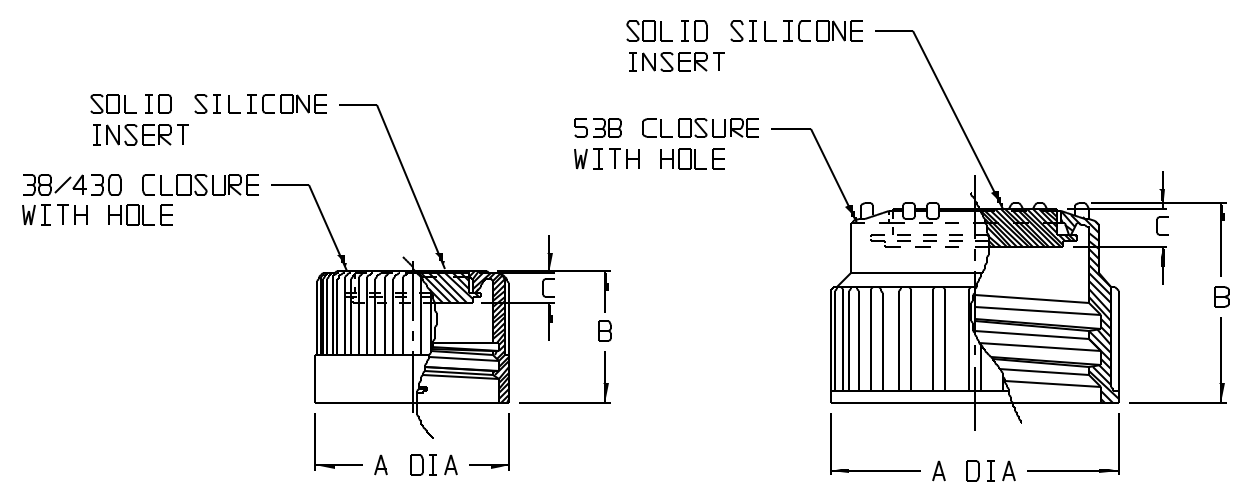
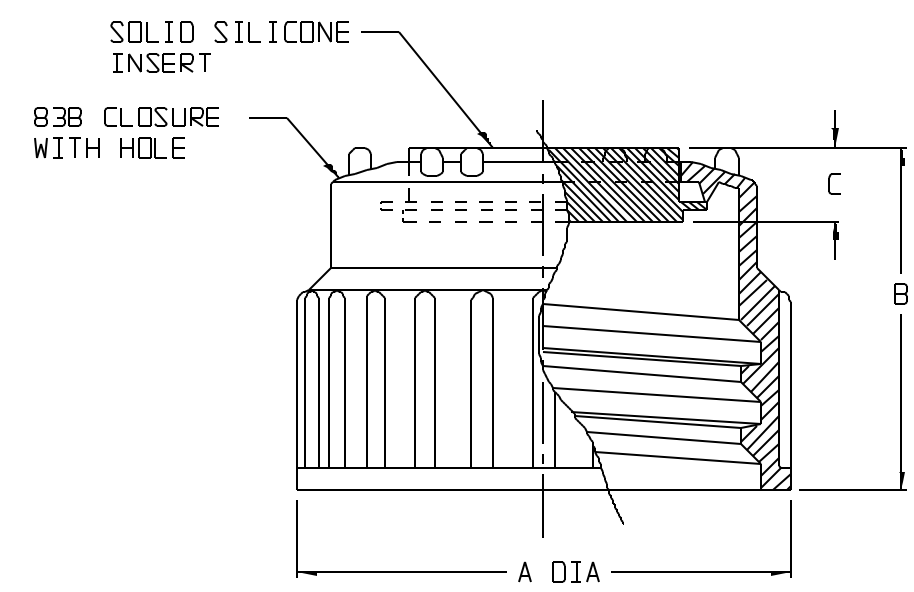


CATALOG NUMBER . . . . .	2135-3800	2135-5300	2135-8300			
MATERIAL	CLOSURE . . . . .	PP				
	INSERT . . . . .	SILICONE, PLATINUM-CURED				
CLOSURE SIZE (mm) . . . . .	38-430		53B		83B	
	INCH	MM	INCH	MM	INCH	MM
A (CLOSURE DIA) . . . . .	1.66 ±.03	42.2 ±0.8	2.58 ±.02	65.5 ±0.5	4.00 ±.03	101.6 ±0.8
B (CLOSURE HT) . . . . .	1.17 ±.03	29.7 ±0.8	1.65 ±.02	41.9 ±0.5	2.82 ±.03	71.6 ±0.8
C (INSERT HT) . . . . .	0.42 ±.03	10.7 ±0.8	0.67 ±.03	17.0 ±0.8	0.91 ±.04	23.1 ±1.0
NOM WT. (gns) . . . . .	15		50		170	



CAT. NO. 2135-3800

CAT. NO. 2135-5300



CAT. NO. 2135-8300

SPECS ON BACK

NOT TO SCALE

NOTES:

1. ALL DIMENSIONS ARE NOMINAL AND IN INCHES AND MILLIMETERS UNLESS OTHERWISE NOTED.
2. THIS IS NOT A PRODUCTION DRAWING, BUT IS FOR INFORMATIONAL PURPOSES ONLY, AND IS SUBJECT TO CHANGE WITHOUT NOTICE.

CONFIDENTIAL

THIS PRODUCT SPECIFICATION SHEET CONTAINS CONFIDENTIAL AND/OR PROPRIETARY INFORMATION AND IS TO BE USED ONLY FOR THE EXPRESSED PURPOSES AGREED UPON BY AN AUTHORIZED OFFICER OF THERMO FISHER SCIENTIFIC.

**ThermoFisher**  
SCIENTIFIC

Thermo Fisher Scientific  
75 Ponorona Creek Drive  
Rochester, NY 14625-2385, USA

MADE	MC	APP'D	PVC	PSS 00-2135-XX00	REV.	0501
CK'D	PVC		5/15/01			
DESCRIPTION: FLEXIBLE TOP WORKS™ SYSTEM SCREW CLOSURE WITH SOLID SILICONE INSERT						