

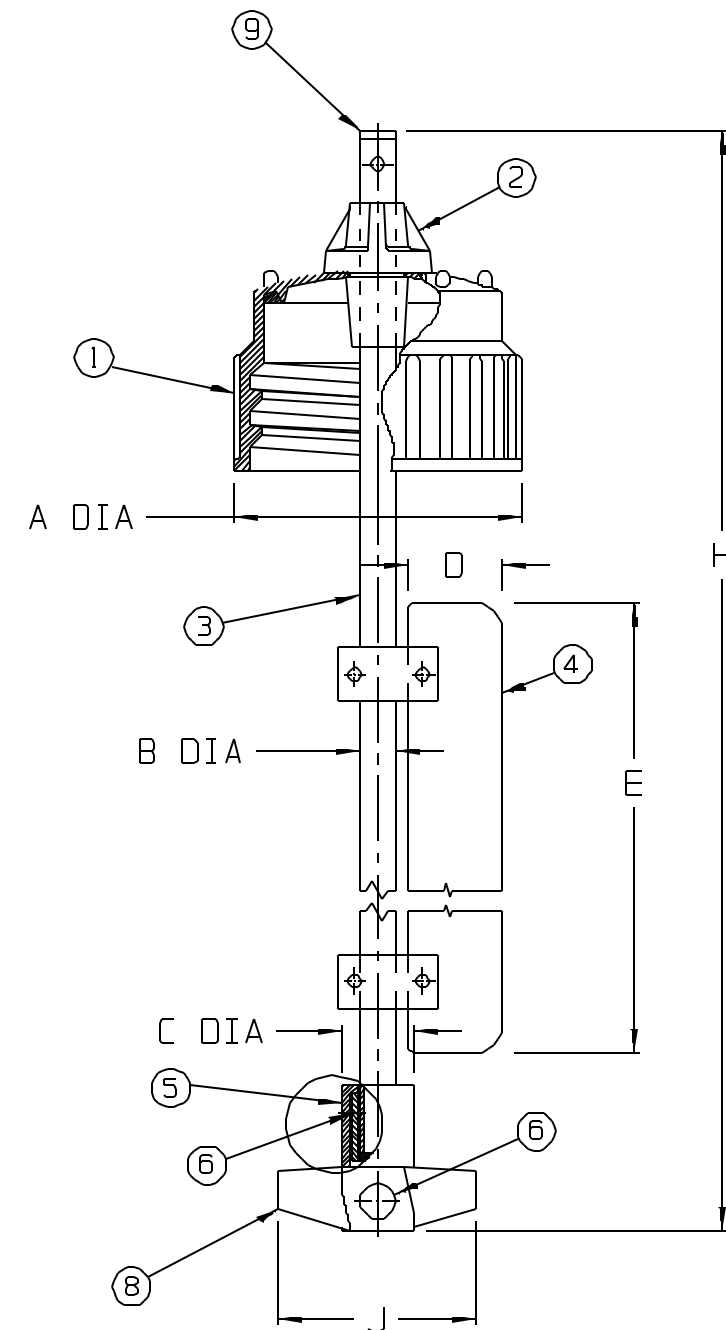
CATALOG NUMBER.....:	2227-0020	
CLOSURE SIZE.....:	83B	
	INCHES	MM
A (CLOSURE DIA.)....:	4.0	102
B (SHAFT DIA.).....:	0.52	13.2
C (HOUSING DIA.)....:	1.00	25.4
D (BAFFLE WIDTH)....:	1.3	33
E (BAFFLE HEIGHT)...:	8.5	216
H (OVERALL HEIGHT)..:	23	584
J (IMPELLER WIDTH)..:	2.7	69

ITEM NO.	NAME	MATERIAL
1	CLOSURE	PP (WHITE)
2	GROMMET	SILICONE (WHITE)
3	SHAFT	PVDF (OUTER) WITH SST (INNER)
4	BAFFLE & BRACKETS	PP
5	HOUSING	PP
6	BUSHING	PVDF
7	* STIR BAR	PTFE ENCAPSULATED ALNICO MAGNET
8	IMPELLER	PTFE
9	END CAP	PP

* NOTE:
MAGNETIC STIR BAR IS 0.5" DIA x 2.5" LG (13mm x 60mm)

NOTES:

1. ALL DIMENSIONS ARE NOMINAL AND IN INCHES AND MILLIMETERS UNLESS OTHERWISE NOTED.
2. THIS IS NOT A PRODUCTION DRAWING, BUT IS FOR INFORMATIONAL PURPOSES ONLY, AND IS SUBJECT TO CHANGE WITHOUT NOTICE.



SPECS ON BACK

NOT TO SCALE

CONFIDENTIAL

THIS PRODUCT SPECIFICATION SHEET CONTAINS CONFIDENTIAL AND/OR PROPRIETARY INFORMATION AND IS TO BE USED ONLY FOR THE EXPRESSED PURPOSES AGREED UPON BY AN AUTHORIZED OFFICER OF THERMO FISHER SCIENTIFIC.

ThermoFisher
SCIENTIFIC

Thermo Fisher Scientific
75 Panorama Creek Drive
Rochester, NY 14625-2385, USA

MADE MC	APP'D PVC	PSS 00-2227-0020	REV. 0297
CK'D PVC	2/27/97		

DESCRIPTION:
MAGNETIC CARBOY STIRRER