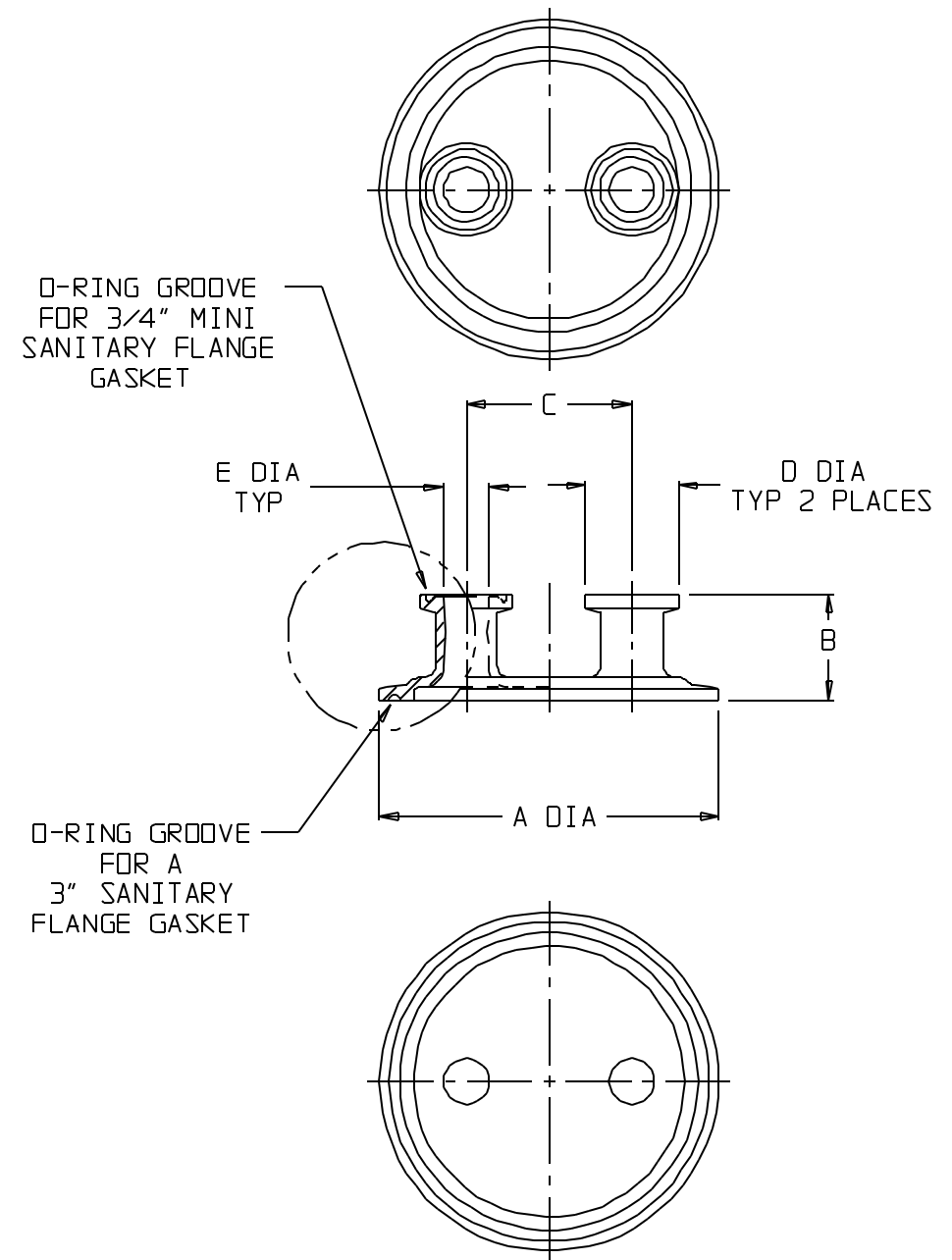


CATALOG NO.....:	002688-2075	
MATERIAL	PC	
NOMINAL WEIGHT (gms)...	24	
	INCH	MM
A DIA.....:	3.59	91.2
B HT.....:	1.13	28.7
C .....	1.75	44.4
D DIA.....:	0.99	25.1
E DIA.....:	0.47	11.9



SPECS ON BACK

NOT TO SCALE

CONFIDENTIAL

THIS PRODUCT SPECIFICATION SHEET CONTAINS CONFIDENTIAL AND/OR PROPRIETARY INFORMATION AND IS TO BE USED ONLY FOR THE EXPRESSED PURPOSES AGREED UPON BY AN AUTHORIZED OFFICER OF THERMO FISHER SCIENTIFIC.

**ThermoFisher**  
SCIENTIFIC

Thermo Fisher Scientific  
75 Panorama Creek Drive  
Rochester, NY 14625-2385, USA

MADE	PB	APP'D	PVC	PSS 002688-2075	REV.	1101
CK'D	PVC		11/30/01			
DESCRIPTION: 3" SANITARY END CAP WITH (2) 3/4" MINI PORTS						

2. This is not a production drawing, but is for informational purposes only, and is subject to change without notice.

1. All dimensions are nominal and in inches and millimeters unless otherwise noted.