

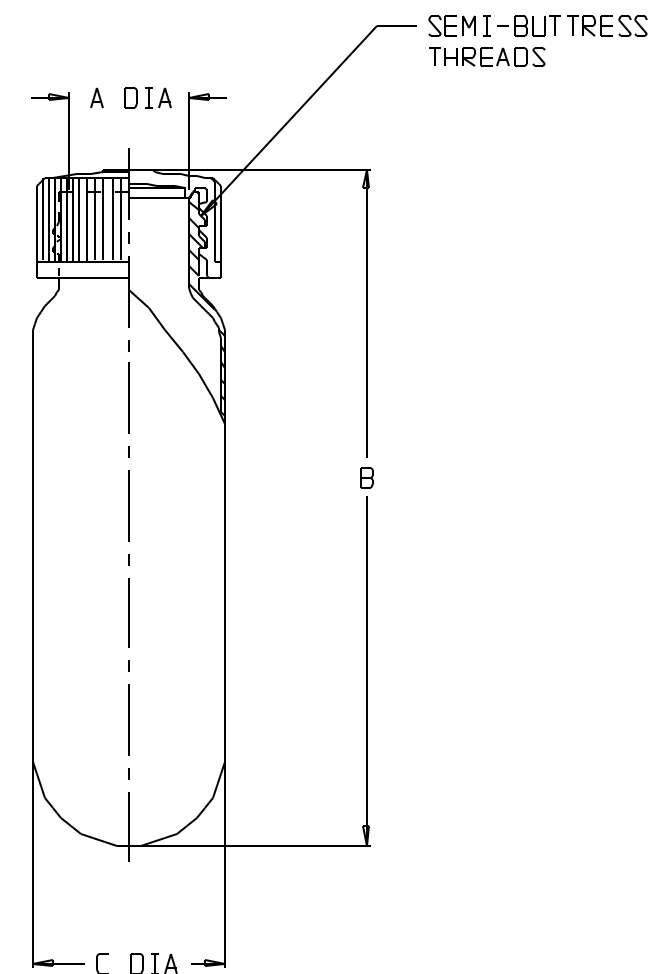
CATALOG NO.	NOMINAL CAPACITY, (mL)			MATERIALS	
				TUBE	CLOSURE
3115	10	30	50 ¹	PSF	PP

SIZE CODE.....:	-0010		-0030		-0050 ¹	
NOM. CAP. (mL).....:	10		30		50	
CLOSURE SIZE (mm)....:	13		20		24	
	INCH	MM	INCH	MM	INCH	MM
A (NECK I.D.).....:	0.32	8.1	0.54	13.7	0.64	16.3
B (HT. W/CLOSURE)....:	3.21 ±.03	81.5 ±.8	3.70 ±.03	94.0 ±.8	4.22 ±.03	107.2 ±.8
C (TUBE O.D.).....:	0.635 ⁺ _{-.012} ^{.000}	16.13 ⁺ _{-.30} ^{.00}	1.016 ⁺ _{-.040} ^{.000}	25.81 ⁺ _{-.02} ^{.00}	1.140 ⁺ _{-.025} ^{.000}	28.96 ⁺ _{-.64} ^{.00}

¹
NOTE: ACTUAL BRIM CAPACITY OF CATALOG NO. 3115-0050 IS 43mL.

NOTES:

1. ALL DIMENSIONS ARE NOMINAL AND IN INCHES AND MILLIMETERS UNLESS OTHERWISE NOTED.
2. THIS IS NOT A PRODUCTION DRAWING, BUT IS FOR INFORMATIONAL PURPOSES ONLY, AND IS SUBJECT TO CHANGE WITHOUT NOTICE.



SPECS ON BACK

NOT TO SCALE

CONFIDENTIAL

THIS PRODUCT SPECIFICATION SHEET CONTAINS CONFIDENTIAL AND/OR PROPRIETARY INFORMATION AND IS TO BE USED ONLY FOR THE EXPRESSED PURPOSES AGREED UPON BY AN AUTHORIZED OFFICER OF THERMO FISHER SCIENTIFIC.

ThermoFisher
SCIENTIFIC

Thermo Fisher Scientific
75 Panorama Creek Drive
Rochester, NY 14625-2385, USA

MADE	TL	APP'D	PSS 00-3115-XXXX-1	REV.
CK'D	DV	GRP		10/23/09

DESCRIPTION:
OAK RIDGE CENTRIFUGE TUBES