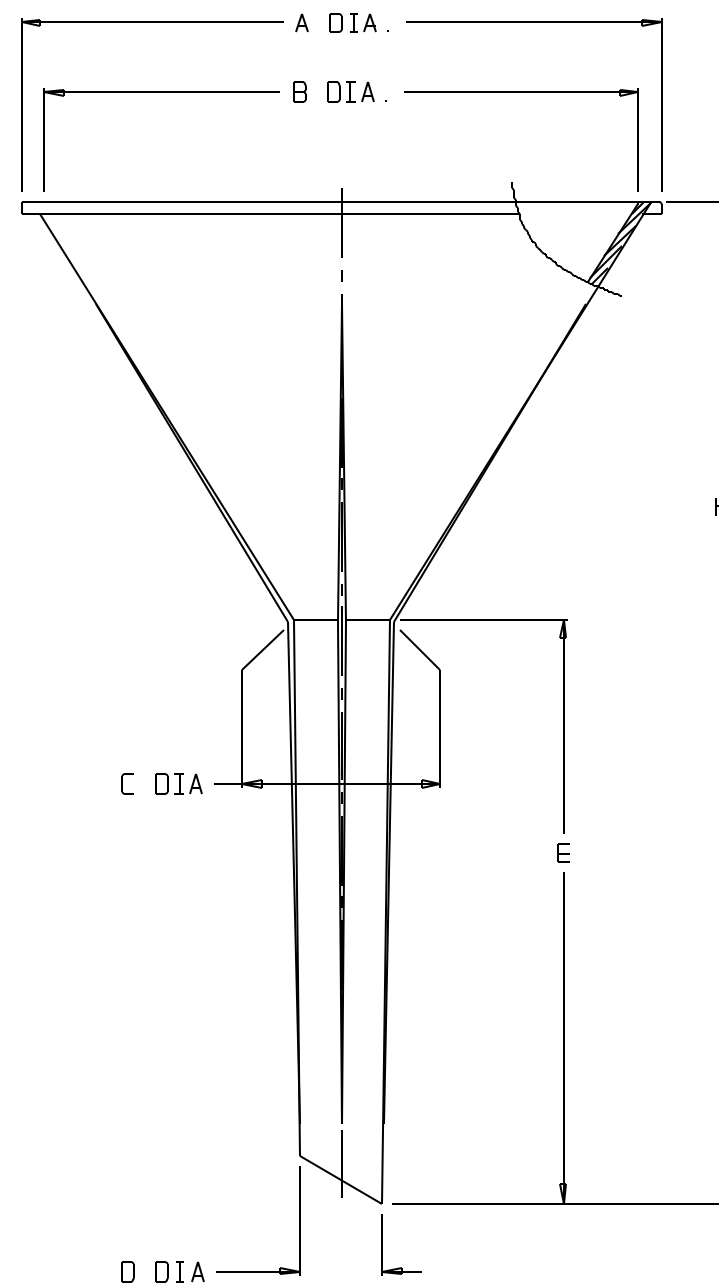


CAT. NO.	APPROX. SIZES (TOP I.D. IN MM)								MATERIAL
4250-	41	52	62	72	84	99	109	168	PP
SIZE CODE.....	-0035		-0045		-0055		-0065		
NOM WT (gms).....	4		6		11		17		
	INCH	MM	INCH	MM	INCH	MM	INCH	MM	
A DIA.....	1.62 ±0.04	41.1 ±1.0	2.05 ±0.04	52.1 ±1.0	2.42 ±0.04	61.5 ±1.0	2.83 ±0.04	71.9 ±1.0	
B (TOP I.D.).....	1.38 ±0.04	35.1 ±1.0	1.86 ±0.04	47.2 ±1.0	2.13 ±0.04	54.1 ±1.0	2.49 ±0.04	63.2 ±1.0	
C DIA.....	0.29 ±0.02	7.4 ±0.5	0.34 ±0.02	8.6 ±0.5	0.32 ±0.02	8.1 ±0.5	0.34 ±0.02	8.6 ±0.5	
D DIA.....	0.24 ±0.02	6.1 ±0.5	0.27 ±0.02	6.9 ±0.5	0.28 ±0.02	7.1 ±0.5	0.29 ±0.02	7.4 ±0.5	
E (STEM HT).....	1.97 ±0.04	50.0 ±1.0	1.97 ±0.04	50.0 ±1.0	2.38 ±0.04	60.5 ±1.0	2.30 ±0.04	58.4 ±1.0	
H (OVERALL HT)...	3.04 ±0.04	77.2 ±1.0	3.36 ±0.04	85.3 ±1.0	4.12 ±0.06	104.6 ±1.5	4.40 ±0.06	111.8 ±1.5	
SIZE CODE.....	-0075		-0090		-0100		-0160		
NOM WT (gms).....	21		29		35		105		
	INCH	MM	INCH	MM	INCH	MM	INCH	MM	
A DIA.....	3.32 ±0.04	84.3 ±1.0	3.90 ±0.06	99.1 ±1.5	4.27 ±0.06	108.5 ±1.5	6.6 ±0.1	168 ±3	
B (TOP I.D.).....	2.98 ±0.04	75.7 ±1.0	3.65 ±0.06	92.7 ±1.5	3.85 ±0.06	97.8 ±1.5	6.2 ±0.1	158 ±3	
C DIA.....	0.38 ±0.02	9.7 ±0.5	0.40 ±0.02	10.2 ±0.5	0.44 ±0.02	11.2 ±0.5	0.87 ±0.02	22.1 ±0.5	
D DIA.....	0.28 ±0.02	7.1 ±0.5	0.32 ±0.02	8.1 ±0.1	0.35 ±0.02	8.9 ±0.5	0.52 ±0.02	13.2 ±0.5	
E (STEM HT).....	3.17 ±0.04	80.5 ±1.0	3.51 ±0.06	89.2 ±1.5	3.93 ±0.06	99.8 ±1.5	6.0 ±0.1	152 ±3	
H (OVERALL HT)...	5.7 ±0.1	145 ±3	6.5 ±0.1	165 ±3	7.2 ±0.1	183 ±3	10.9 ±0.3	277 ±8	

NOTES:

1. ALL DIMENSIONS ARE NOMINAL AND IN INCHES AND MILLIMETERS UNLESS OTHERWISE NOTED.
2. THIS IS NOT A PRODUCTION DRAWING, BUT IS FOR INFORMATIONAL PURPOSES ONLY, AND IS SUBJECT TO CHANGE WITHOUT NOTICE.



NOT TO SCALE

SPECS ON BACK

NOT TO SCALE

CONFIDENTIAL

THIS PRODUCT SPECIFICATION SHEET CONTAINS CONFIDENTIAL AND/OR PROPRIETARY INFORMATION AND IS TO BE USED ONLY FOR THE EXPRESSED PURPOSES AGREED UPON BY AN AUTHORIZED OFFICER OF THERMO FISHER SCIENTIFIC.

**ThermoFisher**  
SCIENTIFIC

Thermo Fisher Scientific  
75 Panorama Creek Drive  
Rochester, NY 14625-2385, USA

MADE	MCC	APP'D	PSS 00-4250-XXXX-1	REV.
CK'D	PVC	12/28/94		1294

DESCRIPTION:

ANALYTICAL FUNNELS