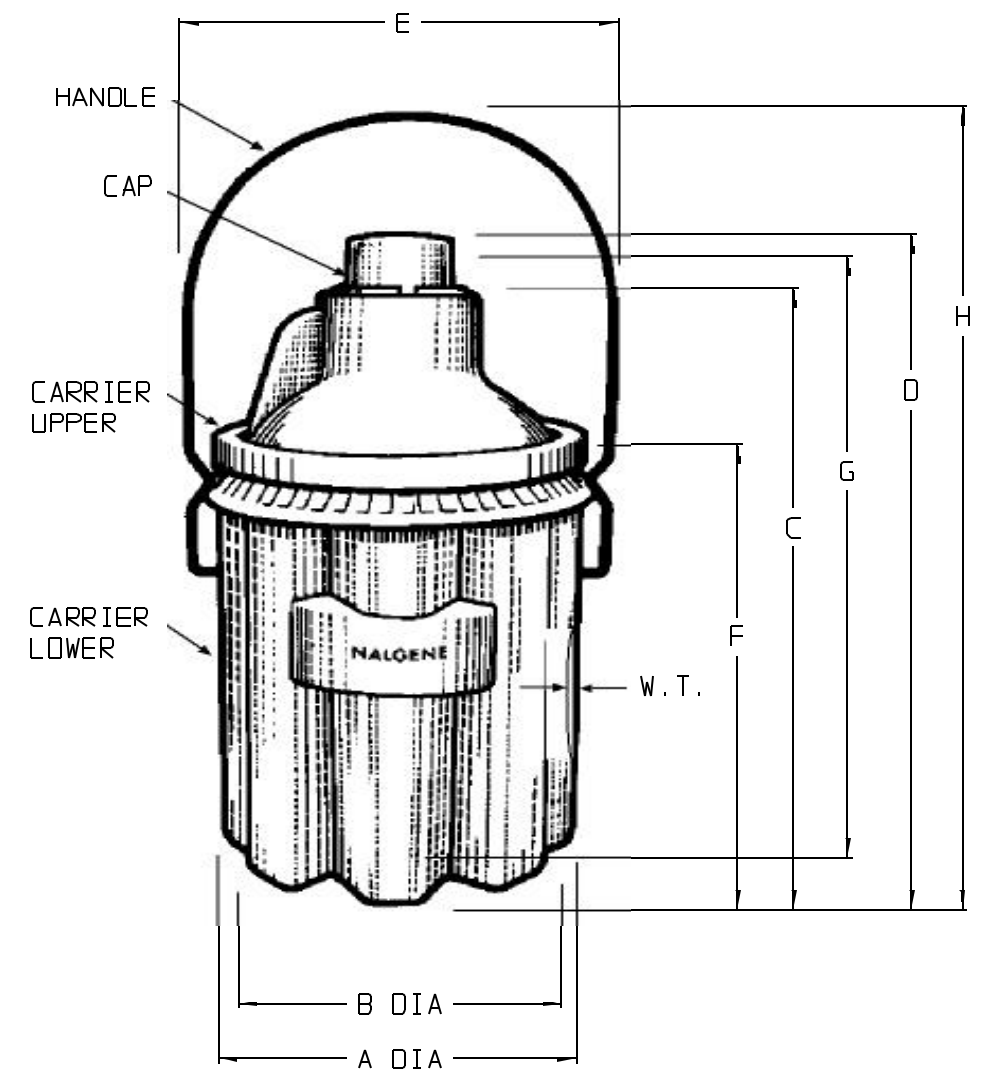


CATALOG NUMBER.....		6501-2500		6501-4000	
ACCOMMODATES BOTTLE CAPACITY.....		2.5L/5 PINT		4L/1 GAL	
NOMINAL WEIGHT (gms)...		570		725	
MATERIAL	CARRIER BODY..	LOPE		LOPE	
	CAP.....	CLEAR PC		CLEAR PC	
	HANDLE.....	EPOXY-COATED STEEL		EPOXY-COATED STEEL	
		INCH	MM	INCH	MM
A (BODY O.D.).....		6.5	165	7.2	183
B (BODY I.D OF INNER RIBS).....		5.35	136	6.24	158
C (TOP OF UPPER).....		11.9	302	13.4	340
D (HT TO TOP OF CAP)...		13.1	333	14.6	371
E (OVERALL WIDTH).....		7.7	196	8.7	221
F (LOWER HT.).....		9.0	229	9.8	249
G (INTERNAL HT.).....		12.4	315	13.6	345
H (OVERALL HT.).....		16.9	429	18.7	475
W.T. (NOM. WALL THK)...		0.10	3.0	0.10	3.0



SPECS ON BACK

NOT TO SCALE

NOTES:

1. ALL DIMENSIONS ARE NOMINAL AND IN INCHES AND MILLIMETERS UNLESS OTHERWISE NOTED.
2. THIS IS NOT A PRODUCTION DRAWING, BUT IS FOR INFORMATIONAL PURPOSES ONLY, AND IS SUBJECT TO CHANGE WITHOUT NOTICE.

CONFIDENTIAL

THIS PRODUCT SPECIFICATION SHEET CONTAINS CONFIDENTIAL AND/OR PROPRIETARY INFORMATION AND IS TO BE USED ONLY FOR THE EXPRESSED PURPOSES AGREED UPON BY AN AUTHORIZED OFFICER OF THERMO FISHER SCIENTIFIC.

ThermoFisher
SCIENTIFIC

Thermo Fisher Scientific
75 Panorama Creek Drive
Rochester, NY 14625-2385, USA

MADE	MC	APP'D	PVC	PSS 00-6501-XX00	REV.	0703
CK'D	PVC		7/7/03			
DESCRIPTION: SAFETY BOTTLE CARRIER						