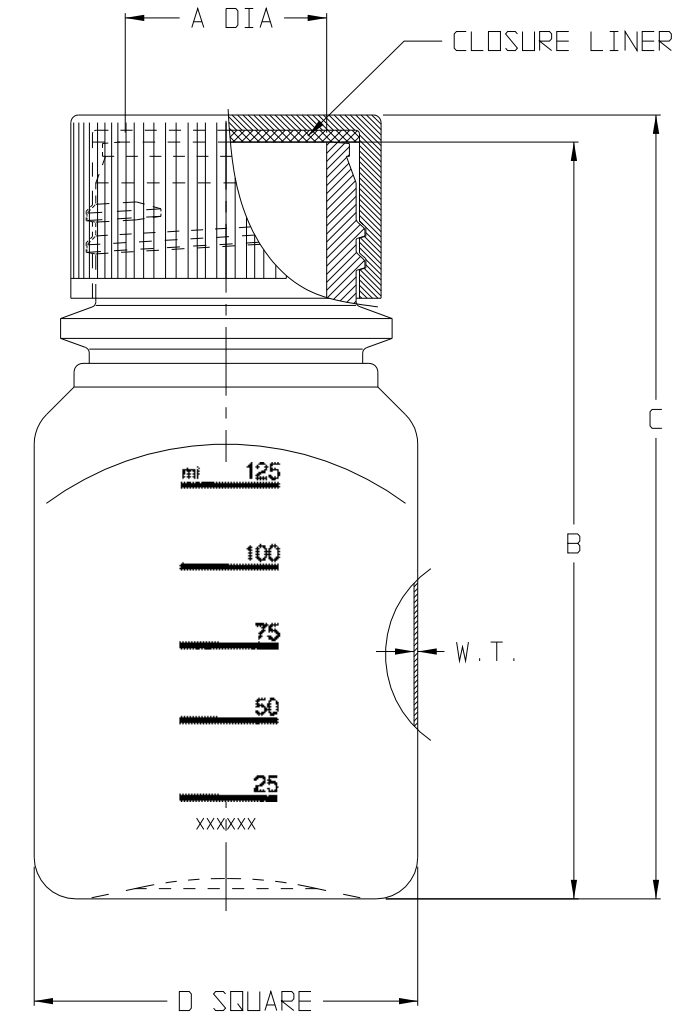


CATALOG NO. :	3030-42	
SIZE (NOM VOL. (mL)..... :	125	
VOL AT NECK (mL)..... :	174	
MATERIALS	BOTTLE..... :	PC
	CLOSURE..... :	WHITE PP
	CLOSURE LINER.:	SILICONE RUBBER
NECK FINISH..... :	38-430	
THREAD (T.P.I.)..... :	6	
NOM. WEIGHT W/ CLOSURE (gms)..... :	50	
	INCH	CM
A (NECK I.D.)..... :	1.11	2.8
B (HT. W/O CLOSURE)..... :	3.98	10.1
C (HT. W/ CLOSURE)..... :	4.12	10.5
D (SQUARE)..... :	2.06	5.2
W.T. (NOM. WALL THK)..... :	.020	.05



SPECS ON BACK

NOT TO SCALE

NOTES:

1. ALL DIMENSIONS ARE NOMINAL AND IN INCHES AND MILLIMETERS UNLESS OTHERWISE NOTED.
2. THIS IS NOT A PRODUCTION DRAWING, BUT IS FOR INFORMATIONAL PURPOSES ONLY, AND IS SUBJECT TO CHANGE WITHOUT NOTICE.

CONFIDENTIAL

THIS PRODUCT SPECIFICATION SHEET CONTAINS CONFIDENTIAL AND/OR PROPRIETARY INFORMATION AND IS TO BE USED ONLY FOR THE EXPRESSED PURPOSES AGREED UPON BY AN AUTHORIZED OFFICER OF NALGE NUNC INTERNATIONAL.



Nalge Nunc International
75 Panorama Creek Drive
Rochester, NY 14625-2385, USA

MADE PMP	APP'D PWC	PSS 3030-42	REV. 0416
CK'D JC			
DESCRIPTION: BIOTAINER BOTTLE, PC, LAB, 125ml			