

Thermo Scientific Nalgene 4-in-1 EZ Tote

Cat. Nos. 6565-0001 (blue)

Tote

- 13 in. (L) x 8 in. (W) x 13-1/2 in. (D)

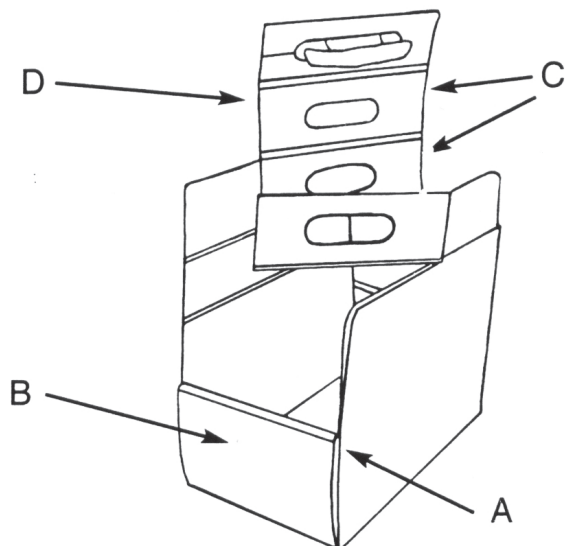
Partitions

- 8 x 500 mL, assembled pop-up
- 6 x 1 Liter
- 2 x 4 Liter

This strong, lightweight plastic carrier helps to safely tote your lab essentials. Chemical- and tear-resistant plastic is strong enough to take everyday lab use*. Design is sturdy, durable and versatile. The Nalgene® 4-in-1 EZ Tote™ can be used alone or with any of the three pre-assembled pop-up partitions.

4-in-1 EZ Tote assembly instructions:

1. Pre-bend folds along the two (2) lengthwise indentations.
2. Fold "A" side tabs into center.
3. Fold "B" side over "A" side tabs, then insert notches into slots to lock in place.
4. Slide handle tabs "D" together.
5. Wrap handles "C" around "D" and slide insert through opening to lock in place.
6. Place pre-assembled 8 x 500 mL pop-up partition into the tote. Partitions can be re-configured to hold 6 x 1 L or 2 x 4 L. (Partition instructions are printed on the tote. See diagram at right.)



Chemical Resistance

The 4-in-1 EZ Tote offers:

- Excellent chemical resistance to acids, bases and alcohols (aliphatic).
- Good chemical resistance to aldehydes, esters, hydrocarbons and ketones.
- Not recommended for use with strong oxidizing agents, halogenated hydrocarbons and concentrated oxidizing acids.

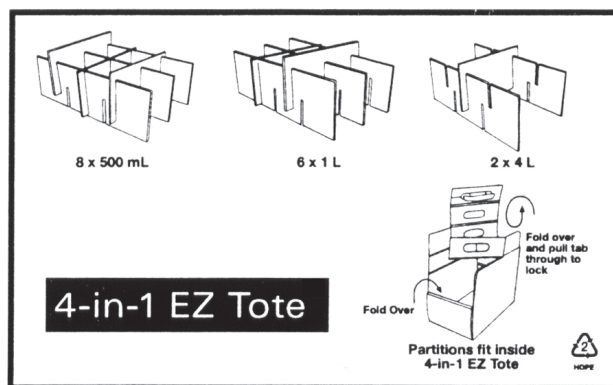
Wipe clean with mild soap or disinfectant solution.

Warning:

Do not autoclave, microwave or use dry heat sterilization.

Caution:

Tote will not provide secondary containment of liquids.



Partition assembly instructions are printed onto the side of the tote.

*Maximum carrying capacity is 28 pounds (12.7 kg). Recommended use from room to refrigerated temperatures.

© 2011 Thermo Fisher Scientific Inc. All rights reserved. All trademarks are the property of Thermo Fisher Scientific Inc. and its subsidiaries.

www.thermoscientific.com

Asia: China Toll-free: 800-810-5118 or 400-650-5118; India: +91 22 6716 2200, India Toll-free: 1 800 22 8374; Japan: +81 3 3816 3355
Other Asian countries: 65 68729717

Europe: Austria: +43 1 801 40 0; Belgium: +32 53 73 42 41; Denmark: +45 4631 2000; France: +33 2 2803 2180; Germany: +49 6184 90 6940, Germany Toll-free: 08001-536 376; Italy: +39 02 02 95059 or 434-254-375; Netherlands: +31 76 571 4440; Nordic/Baltic countries: +358 9 329 100; Russia/CIS: +7 (812) 703 42 15; Spain/Portugal: +34 93 223 09 18; Switzerland: +41 44 454 12 12; UK/Ireland: +44 870 609 9203

North America: USA/Canada +1 585 586 8800; USA Toll-free: 800 625 4327

South America: USA sales support: +1 585 899 7198

Countries not listed: +49 6184 90 6940 or +33 2 2803 2180

8-0402-18 0311

**Thermo
SCIENTIFIC**

Contact us for Sales and Service
thermoscientific.com/contactus

*Contact information contained within this document may be incorrect.