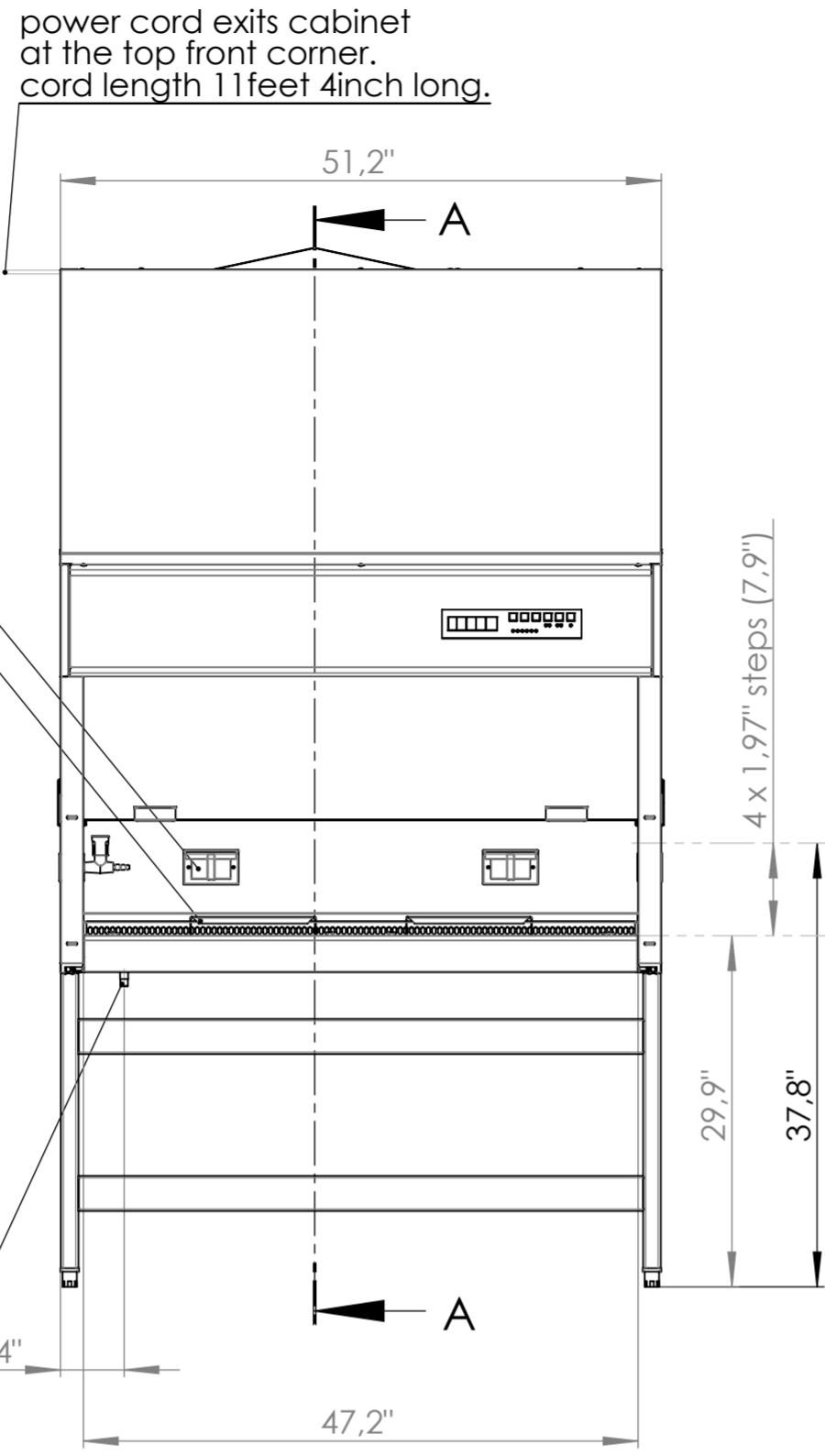
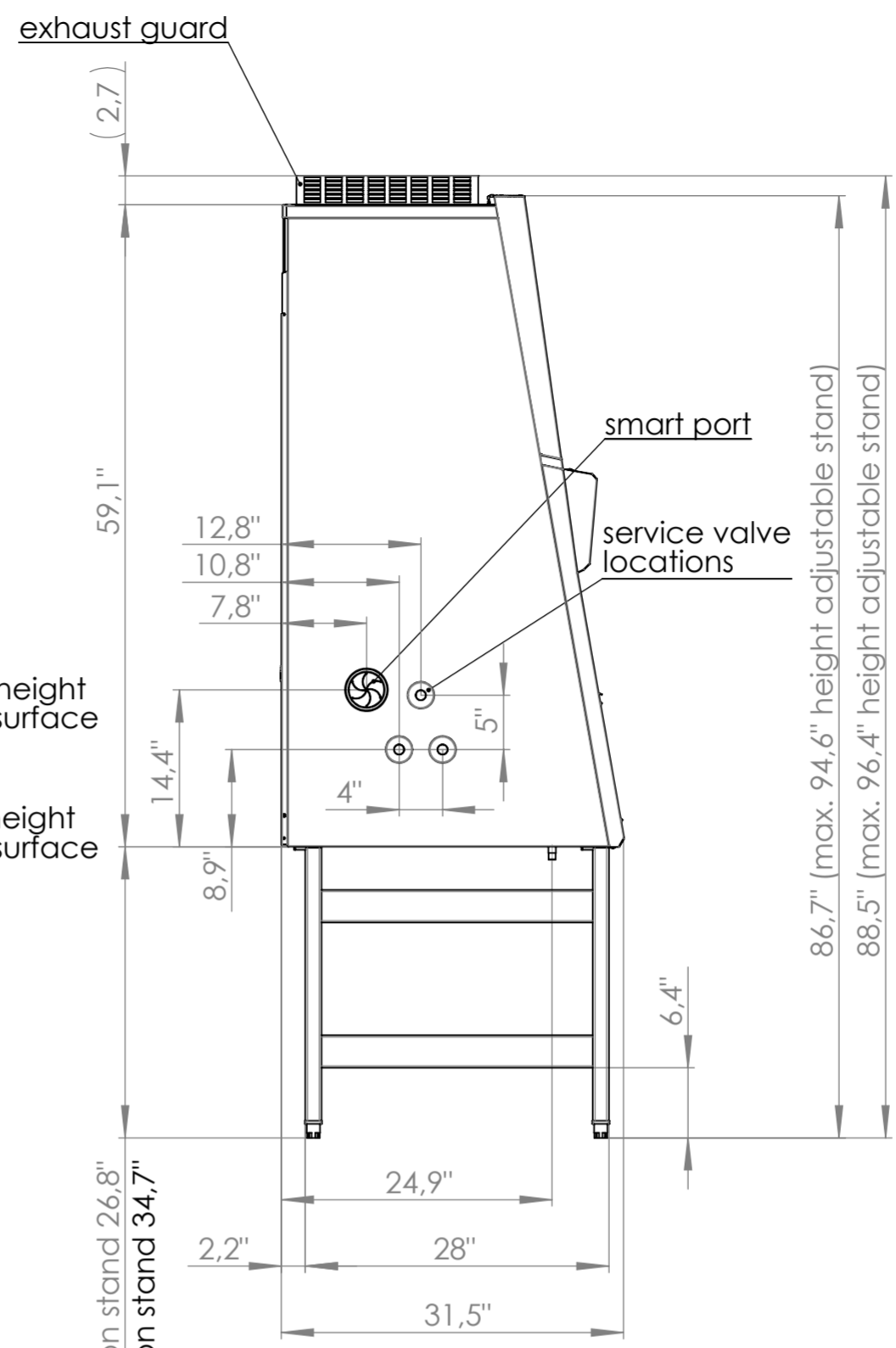


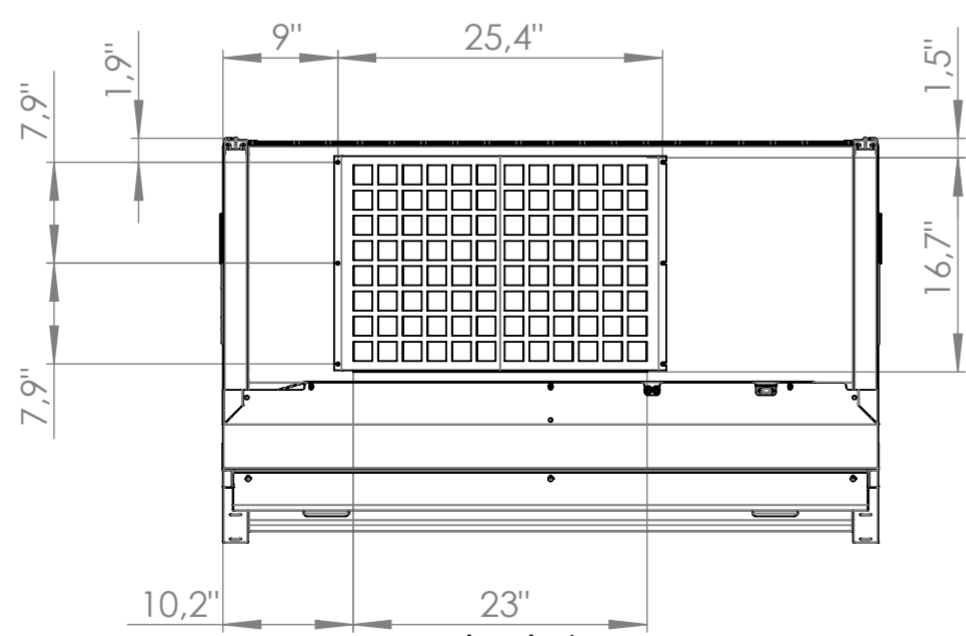
SECTIONAL VIEW



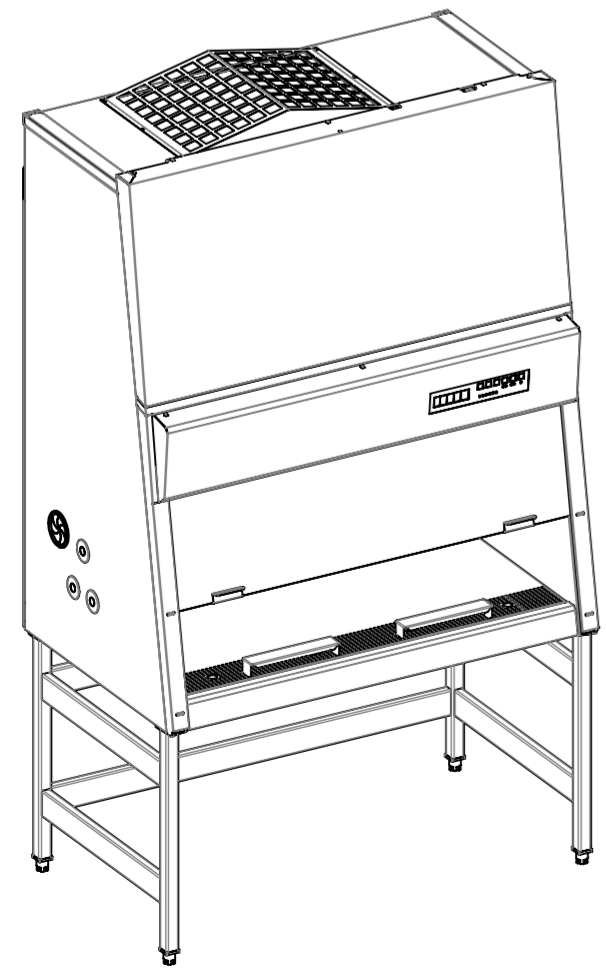
FRONT VIEW



SIDE VIEW



TOP VIEW



opening in top of cabinet

TOP VIEW

SPECIFICATIONS

MODEL: 1325, 1395, 1355, 1385, 1305, 1335, 1345, 1375
- 4 FOOT BIOLOGICAL SAFETY CABINETS

INTERIOR: 1 MM CRS PAINTED (1325, 1395, 1355, 1385)
1 MM STN STL (1305, 1335, 1345, 1375)

INTERIOR WORK SURFACE: 16 GA STAINLESS STEEL

EXTERIOR: 1 MM CRS PAINTED

BLOWER MOTORS: DC RADIAL BLOWER - 48 VOLT, 1230 CFM
DC CENTRIFUGAL BLOWER - 48 VOLT, 574 CFM

SUPPLY HEPA FILTER: NOMINALLY 18"x48"x3,46" AND RATED 99.995%@MPPS @.3 MICRONS EFFICIENCY

EXHAUST HEPA FILTER: NOMINALLY 18"x24"x4,6" AND RATED 99.995%@MPPS @.3 MICRONS EFFICIENCY

INTERIOR LIGHTS: 4 FOOT ONE (1) PART #F32T8 / TL 741 FLOURESCENT

WINDOW OPENING: 8 INCH (1305, 1325, 1335, 1395)
10 INCH (1345, 1355, 1375, 1385)

ELECTRICAL
4 FOOT MODEL 1305, 1325, 1335, 1345, 1355, 1375, 1385, 1395:
120 VOLT - 60 HZ - 8.0 FLA

AIR FLOW:

IN FLOW: 4 FOOT MODELS, 100 - 110 LFPM

DOWN FLOW: 4 FOOT MODELS, 58 - 68 LFPM

EXHAUST VOLUME: 8 INCH 4 FOOT MODELS, 276 CFPM
10 INCH 4 FOOT MODELS, 344 CFPM

STAND HEIGHT: 26.8"
28.8"
30.8"
32.8"
34.7"

WORK SURFACE HEIGHT: 29.9"
31.9"
33.9"
35.9"
37.8"

Dimension	> 0.5	> 3.0	> 6.0	> 30	> 120	> 400	> 1000
nominal size range	> 0.5	> 3.0	> 6.0	> 30	> 120	> 400	> 1000
tolerance class	< 3.0	< 6.0	< 30.0	< 120	< 400	< 1000	< 2000
fin / fine	+0.05	+0.05	+0.1	+0.15	+0.2	+0.3	+0.5
mittel / medium	+0.1	+0.1	+0.2	+0.3	+0.5	+0.8	+1.2
grob / course	+0.2	+0.3	+0.5	+0.8	+1.2	+2.0	+3.0

ThermoFisher SCIENTIFIC

PDM Nr. / PDM No. FILE-1104-64775
 ERP Zeichnungs Nr. / ERP Drawing No. 50129993
 Revision 1 / 1