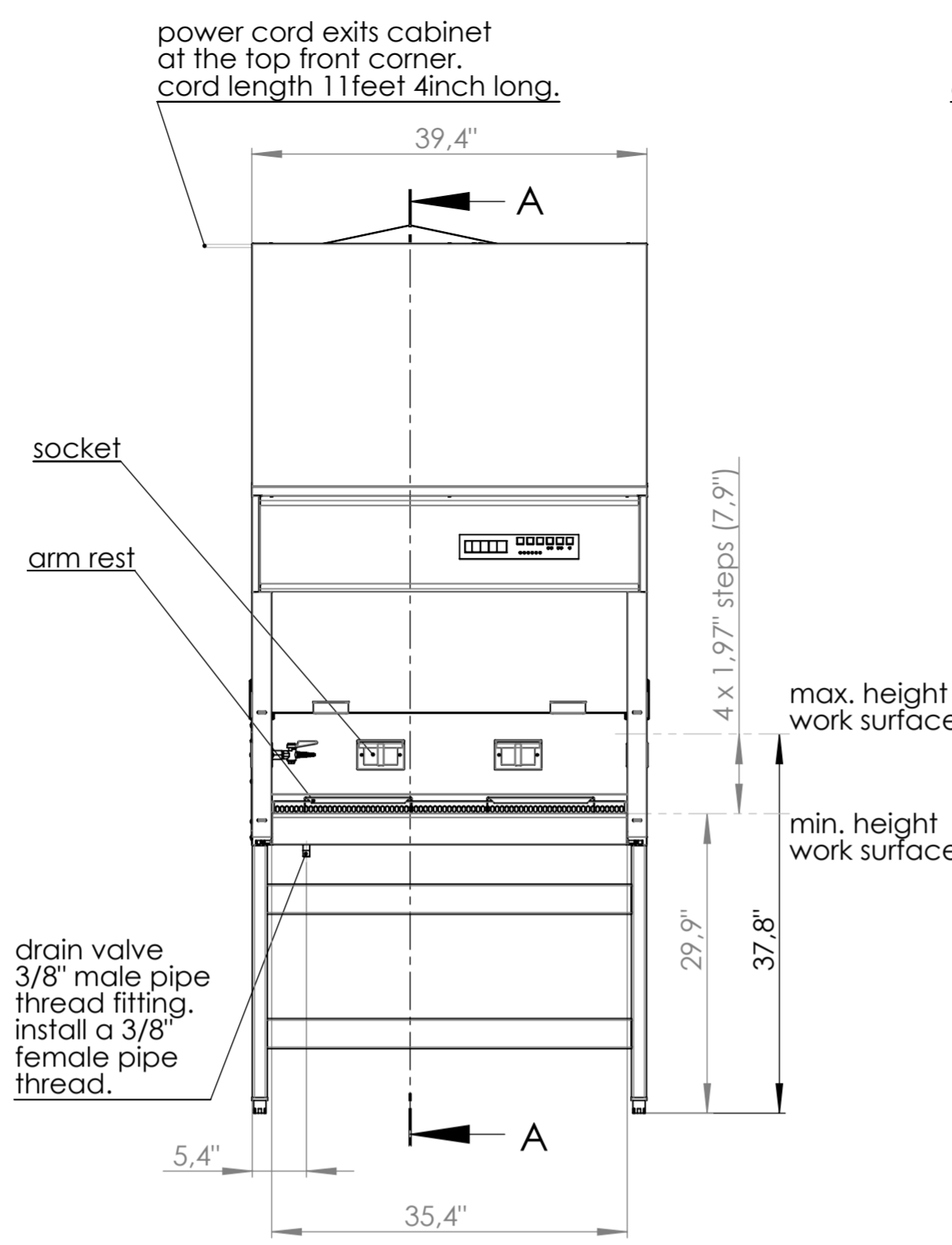
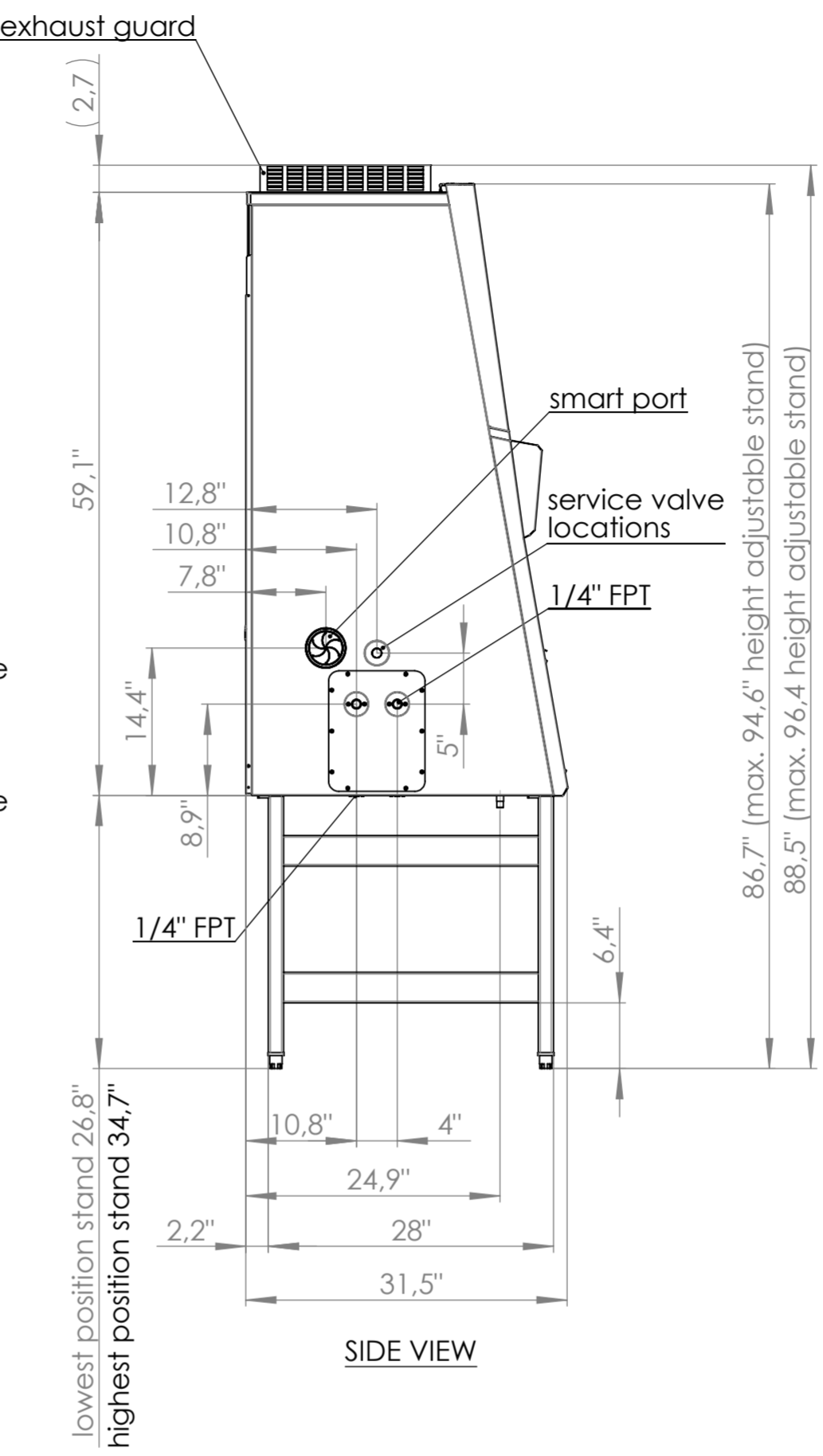


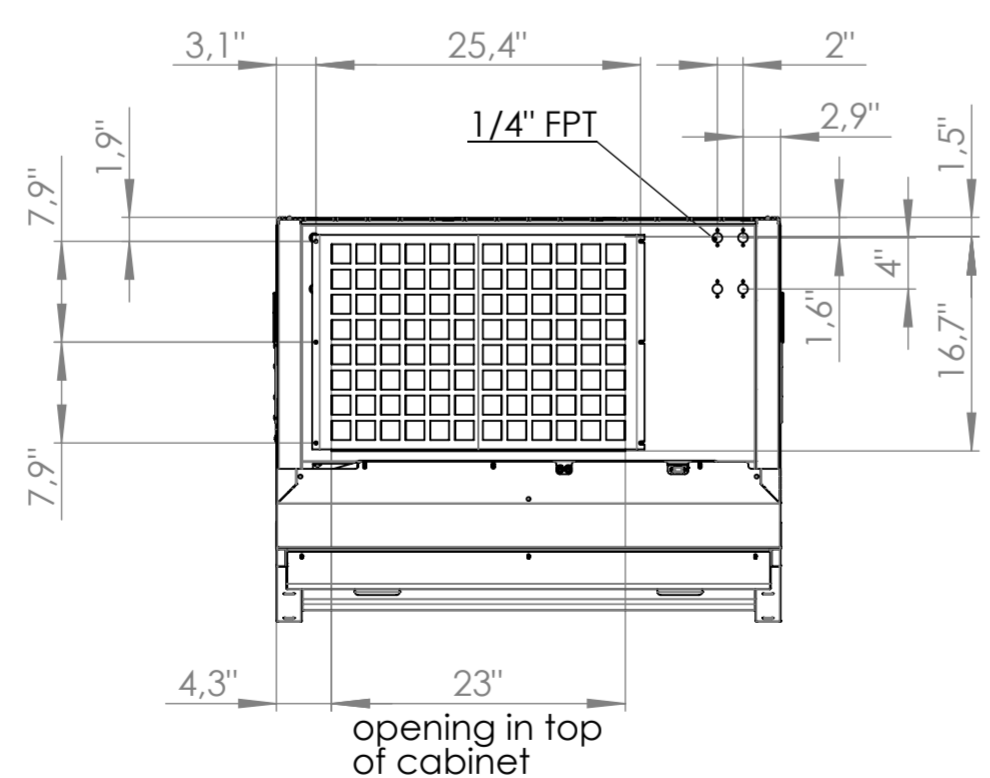
SECTIONAL VIEW



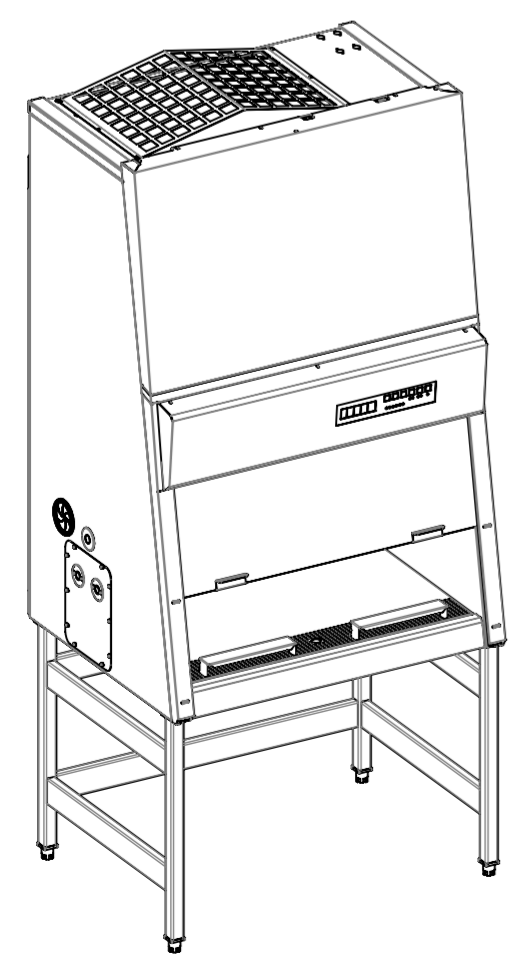
FRONT VIEW



SIDE VIEW



TOP VIEW



SPECIFICATIONS	
MODEL:	1320, 1321, 1322, 1323, 1339, 1340, 1341, 1342 - 3 FOOT BIOLOGICAL SAFETY CABINETS
INTERIOR:	1 MM CRS PAINTED (1339, 1340, 1320, 1321) 1 MM STN STL (1341, 1342, 1322, 1323)
INTERIOR WORK SURFACE:	16 GA STAINLESS STEEL
EXTERIOR:	1 MM CRS PAINTED
BLOWER MOTORS:	DC RADIAL BLOWER - 48 VOLT, 1230 CFM DC CENTRIFUGAL BLOWER - 48 VOLT, 574 CFM
SUPPLY HEPA FILTER:	NOMINALLY 18"x36"x3,46" AND RATED 99.995%@MPPS @.3 MICRONS EFFICIENCY
EXHAUST HEPA FILTER:	NOMINALLY 18"x24"x4,6" AND RATED 99.995%@MPPS @.3 MICRONS EFFICIENCY
INTERIOR LIGHTS:	3 FOOT ONE (1) PART #F32T8 / TL 741 FLOURESCENT
WINDOW OPENING:	8 INCH (1339, 1340, 1341, 1342) 10 INCH (1320, 1321, 1322, 1323)
ELECTRICAL	3 FOOT MODEL 1320, 1321, 1322, 1323, 1339, 1340, 1341, 1342: 120 VOLT - 60 HZ - 8.0 FLA
AIR FLOW:	
IN FLOW:	3 FOOT MODELS, 100 - 110 LFPM
DOWN FLOW:	3 FOOT MODELS, 58 - 68 LFPM
EXHAUST VOLUME:	8 INCH 3 FOOT MODELS, 207 CFPM 10 INCH 3 FOOT MODELS, 258 CFPM
STAND HEIGHT:	WORK SURFACE HEIGHT:
26.8"	29.9"
28.8"	31.9"
30.8"	33.9"
32.8"	35.9"
34.7"	37.8"

○ = Maße geprüft und protokolliert / Dimensions checked a. locked

Revision	Änderung / ECR No.	Datum / Date	Än-Name / Ch-name	Datum / Date	Pr-Name / Ck-name	Datum / Date	Fg-Name / Ap-name	Maßstab / scale	1:15	Weitergabe sowie Vervielfältigung dieser Unterlage, Verwertung und Mitteilung ihres Inhalts sind nur mit unserer ausdrücklichen Zustimmung gestattet. Alle Rechte für den Fall der Patenterteilung, oder Gebrauchsmuster-Eintragung vorbehalten./ Copying of this document and its transmitting to third parties as well as revelation of its contents, its subject to our consent. All rights reserved. Thermo Fisher Scientific	Modellname: FILE-1105-66127 Modellrevision: FEHLER! Revision Ers. f. / Replacement for:
Erstellt / Created		24 Mai 11	Ch.Noll					Kopie kann vom Maßstab abweichen / Copy may be not to scale			
Geprüft / Checked											
Freigabe Serie / Approval series											
Allgemeintoleranzen für Form und Lage / general tolerances for features		ISO 2768 - m K		Format / Size		A2		3FOOT 8INCH OR 10INCH 1300 SERIES A2		UNIVERSAL PIPING OPTION	
ISO-System f. Grenzmaße und Passun-gen/ ISO- system o. limit dimension and fits DIN ISO 2026		Oberflächenbeschaffenheit/ Surface finish according DIN EN ISO 1302		Tolerierung / Tolerance according ISO 8015		Werkstückkanten/ Work piece edges DIN ISO 13715		PDM Nr. / PDM No.		FILE-1105-66136	
Nennmaßbereich/nominal size range		Toleranzklasse / tolerance class		Tolerierung / Tolerance according ISO 8015		Werkstückkanten/ Work piece edges DIN ISO 13715		ERP Zeichnungs Nr. / ERP Drawing No.		Revision	
> 0.5	> 3.0	> 6.0	> 30	> 120	> 400	> 1000	> 2000	50129991		1 / 1	
< 3.0	< 6.0	< 30.0	< 120	< 400	< 1000	< 2000	< 2000				
fein / fine	±0.05	±0.05	±0.1	±0.15	±0.2	±0.3	±0.5				
mittel / medium	±0.1	±0.1	±0.2	±0.3	±0.5	±0.8	±1.2				
grob / course	±0.2	±0.3	±0.5	±0.8	±1.2	±2.0	±3.0				

ThermoFisher SCIENTIFIC

Blatt/Sheet