

SPECIFICATIONS

MODEL: 1320, 1321, 1322, 1323, 1339, 1340, 1341, 1342
 - 3 FOOT BIOLOGICAL SAFETY CABINETS

INTERIOR: 1 MM CRS PAINTED (1339, 1340, 1320, 1321)
 1 MM STN STL (1341, 1342, 1322, 1323)

INTERIOR WORK SURFACE: 16 GA STAINLESS STEEL

EXTERIOR: 1 MM CRS PAINTED

BLOWER MOTORS: DC RADIAL BLOWER - 48 VOLT, 1230 CFM
 DC CENTRIFUGAL BLOWER - 48 VOLT, 574 CFM

SUPPLY HEPA FILTER: NOMINALLY 18"x36"x3.46" AND RATED 99.995%@MPPS @.3 MICRONS EFFICIENCY

EXHAUST HEPA FILTER: NOMINALLY 18"x24"x4.6" AND RATED 99.995%@MPPS @.3 MICRONS EFFICIENCY

INTERIOR LIGHTS: 3 FOOT ONE (1) PART #F32T8 / TL 741 FLOURESCENT

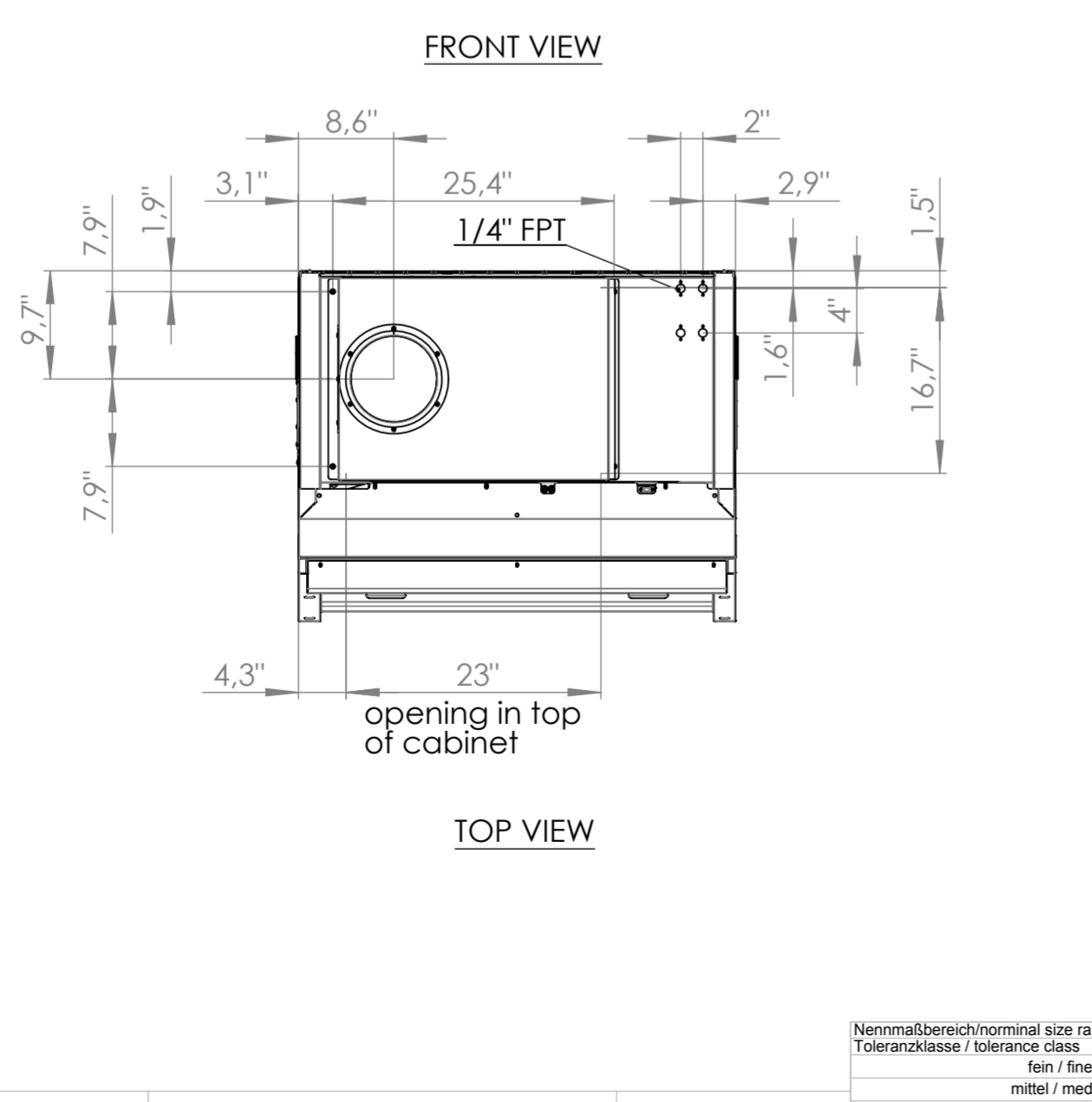
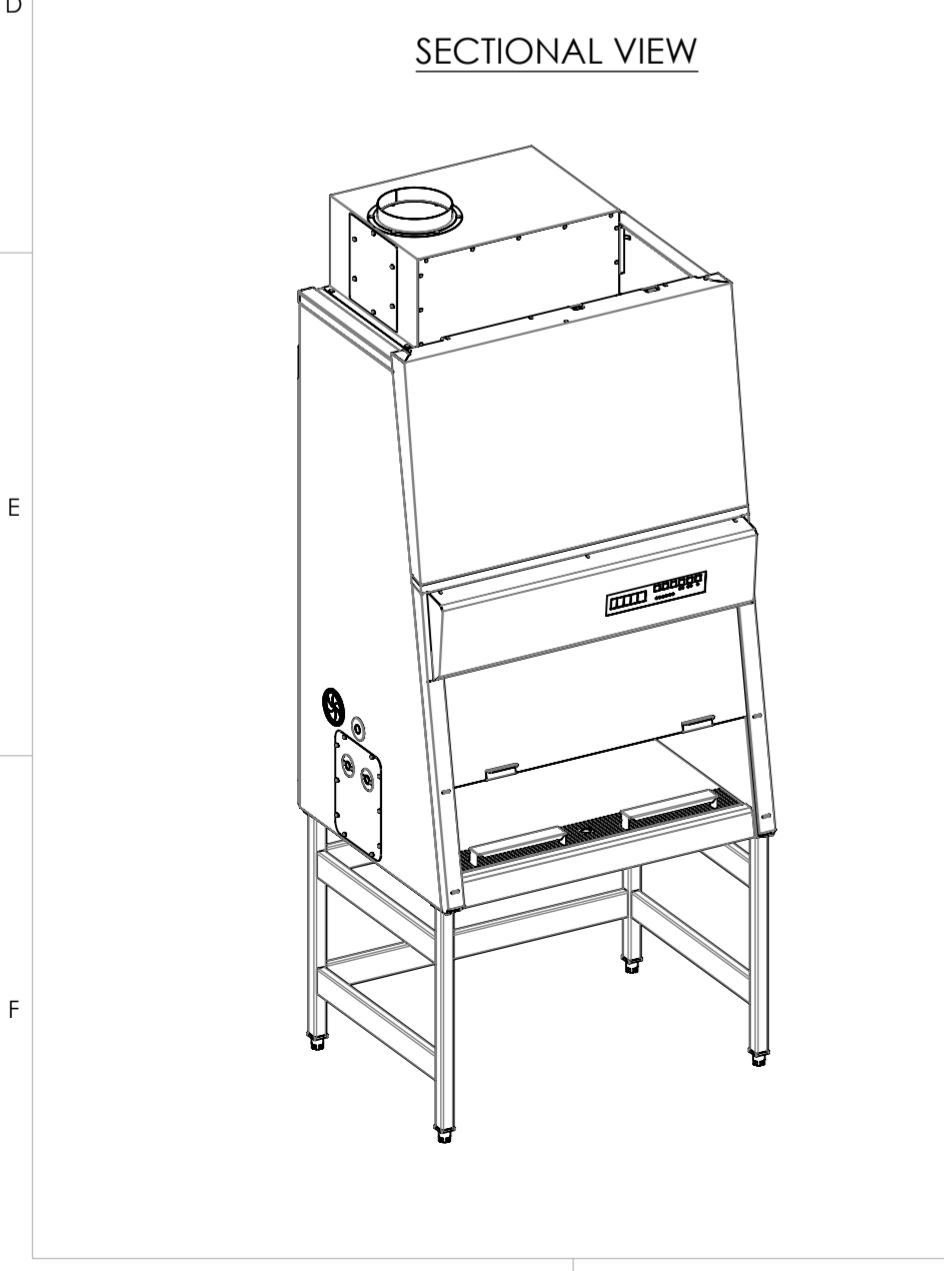
WINDOW OPENING: 8 INCH (1339, 1340, 1341, 1342)
 10 INCH (1320, 1321, 1322, 1323)

ELECTRICAL
 3 FOOT MODEL 1320, 1321, 1322, 1323, 1339, 1340, 1341, 1342:
 120 VOLT - 60 HZ - 8.0 FLA

AIR FLOW:
IN FLOW: 3 FOOT MODELS, 100 - 110 LFPM
DOWN FLOW: 3 FOOT MODELS, 58 - 68 LFPM
EXHAUST VOLUME: 8 INCH 3 FOOT MODELS, 269 CFPM
 10 INCH 3 FOOT MODELS, 336 CFPM

STAND HEIGHT: 26.8"
 28.8"
 30.8"
 32.8"
 34.7"

WORK SURFACE HEIGHT: 29.9"
 31.9"
 33.9"
 35.9"
 37.8"



○ = Maße geprüft und protokolliert / Dimensions checked a. locked

Gewicht: 294197.60 g

Revision	Änderung / ECR No.	Datum / Date	Än-Name / Ch-name	Datum / Date	Pr-Name / Ck-name	Datum / Date	Fg-Name / Ap-name	Maßstab / scale	Weitergabe sowie Vervielfältigung dieser Unterlage, Verwertung und Mitteilung ihres Inhalts sind nur mit unserer ausdrücklichen Zustimmung gestattet. Alle Rechte für den Fall der Patenterteilung, oder Gebrauchsmuster-Eintragung vorbehalten./ Copying of this document and its transmitting to third parties as well as revelation of its contents, its subject to our consent. All rights reserved. Thermo Fisher Scientific	Modellname: FILE-1105-66144 Modellrevision: FEHLER! Revision Ers. f. / Replacement for:
Erstellt / Created		24 Mai 11	Ch.Noll					1:15	Kopie kann vom Maßstab abweichen / Copy may be not to scale	Metrix system ISO 5456-2
Geprüft / Checked									Oberfläche / Material surface	
Freigabe Serie / Approval series									Werkstoff, Halbzeug /Material, semifinished part	
Allgemeintoleranzen für Form und Lage / general tolerances for features		ISO 2768 - m K		Format / Size		A2		3FOOT 8INCH OR 10INCH 1300 SERIES A2 UNIVERSAL PIPING OPTION AND THIMBLE DUCTED		
ISO-System f. Grenzmaße und Passun-gen / ISO- system o. limit dimension and fits DIN ISO 2026		Oberflächenbeschaffenheit / Surface finish according DIN EN ISO 1302		Tolerierung / Tolerance according ISO 8015		Werkstückkanten / Work piece edges DIN ISO 13715		PDM Nr. / PDM No. FILE-1105-66146 ERP Zeichnungs Nr. / ERP Drawing No. Revision Blatt/Sheet 1 / 1		

Größe / Size	0.5	0.3	0.6	0.3	0.3	0.3	0.3	0.3	0.3	0.3	0.3	0.3	0.3	0.3	0.3	0.3	0.3	0.3	0.3
Fein / fine	±0.05	±0.05	±0.1	±0.15	±0.2	±0.3	±0.5	±0.8	±1.2	±2.0	±3.0								
Mittel / medium	±0.1	±0.1	±0.2	±0.3	±0.5	±0.8	±1.2	±2.0	±3.0										
Grob / course	±0.2	±0.3	±0.5	±0.8	±1.2	±2.0	±3.0												

Thermo Fisher SCIENTIFIC

50129992

1 / 1