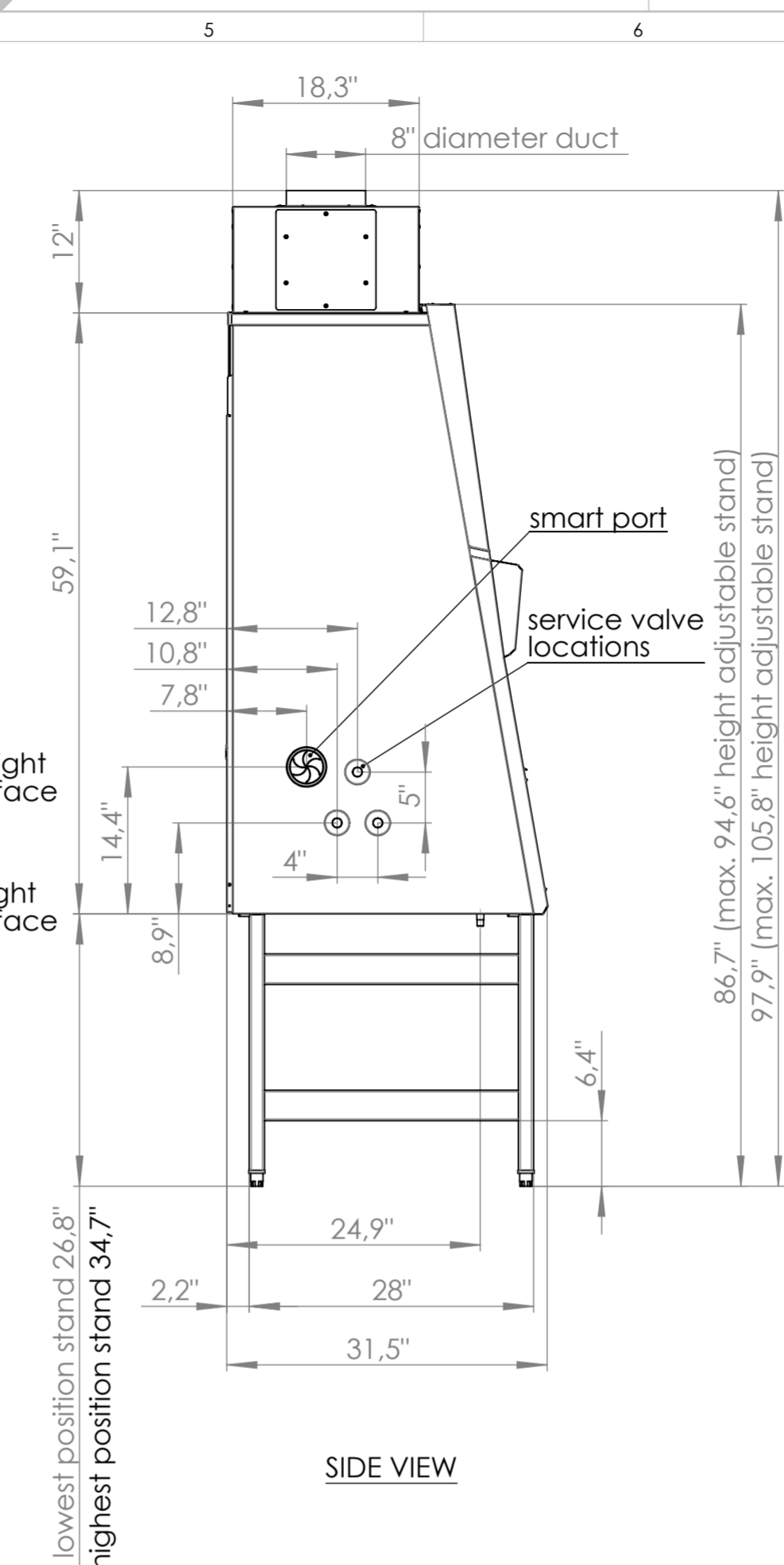
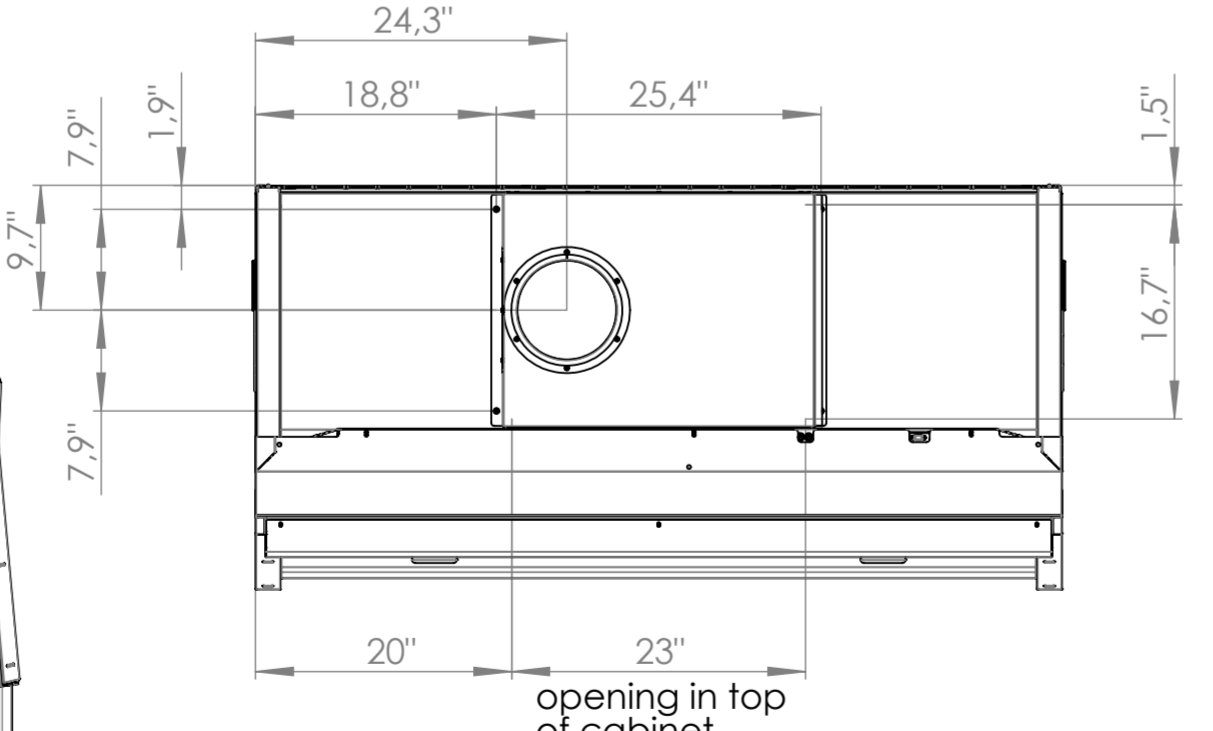
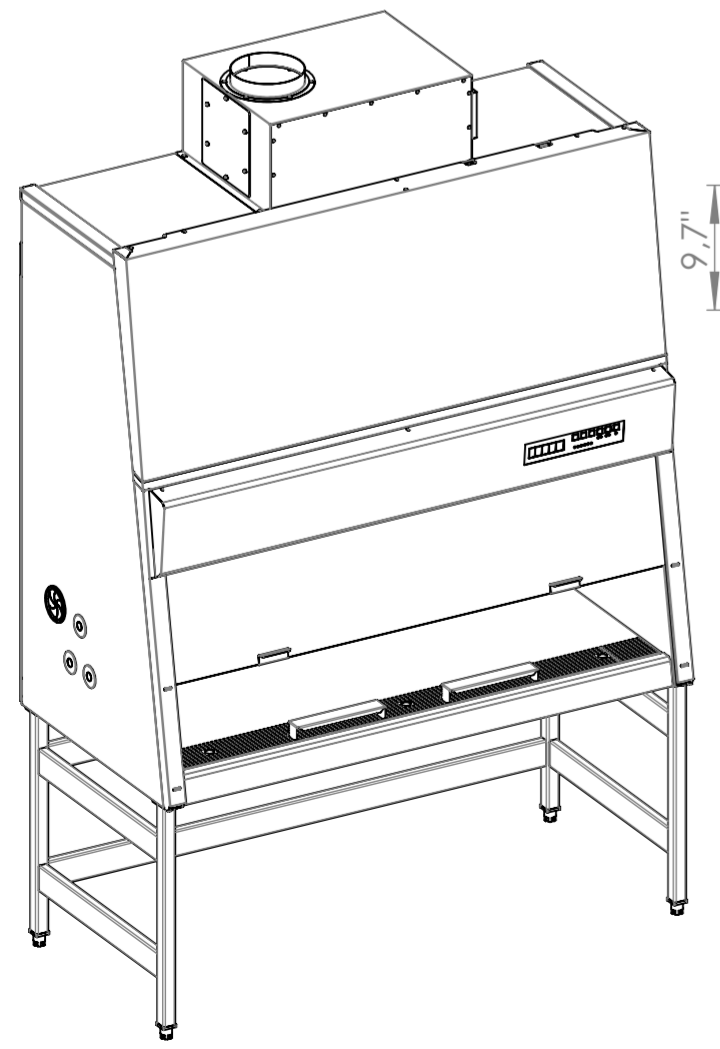


SECTIONAL VIEW

FRONT VIEW



SIDE VIEW



TOP VIEW

SPECIFICATIONS	
MODEL:	1350, 1351, 1352, 1353, 1368, 1369, 1370, 1371 - 5 FOOT BIOLOGICAL SAFETY CABINETS
INTERIOR:	1 MM CRS PAINTED (1350, 1351, 1368, 1369) 1 MM STN STL (1352, 1353, 1370, 1371)
INTERIOR WORK SURFACE:	16 GA STAINLESS STEEL
EXTERIOR:	1 MM CRS PAINTED
BLOWER MOTORS:	DC RADIAL BLOWER - 48 VOLT, 1230 CFM DC CENTRIFUGAL BLOWER - 48 VOLT, 574 CFM
SUPPLY HEPA FILTER:	NOMINALLY 18"x60"x3,46" AND RATED 99.995%@MPPS @.3 MICRONS EFFICIENCY
EXHAUST HEPA FILTER:	NOMINALLY 18"x24"x4,6" AND RATED 99.995%@MPPS @.3 MICRONS EFFICIENCY
INTERIOR LIGHTS:	5 FOOT ONE (2) PART #F32T8 / TL 741 FLOURESCENT
WINDOW OPENING:	8 INCH (1350, 1351, 1352, 1353) 10 INCH (1368, 1369, 1370, 1371)
ELECTRICAL	
5 FOOT MODEL 1350, 1351, 1352, 1353, 1368, 1369, 1370, 1371: 120 VOLT - 60 HZ - 10.0 FLA	
AIR FLOW:	
IN FLOW:	5 FOOT MODELS, 100 - 110 LFPM
DOWN FLOW:	5 FOOT MODELS, 58 - 68 LFPM
EXHAUST VOLUME:	8 INCH 5 FOOT MODELS, 448 CFPM 10 INCH 5 FOOT MODELS, 560 CFPM
STAND HEIGHT:	
26.8"	WORK SURFACE HEIGHT:
28.8"	29.9"
30.8"	31.9"
32.8"	33.9"
34.7"	35.9"
	37.8"

○ = Maße geprüft und protokolliert / Dimensions checked a. locked

Revision	Änderung / ECR No.	Datum / Date	Än-Name / Ch-name	Datum / Date	Pr-Name / Ck-name	Datum / Date	Fg-Name / Ap-name	Maßstab / scale	1:15	Weitergabe sowie Vervielfältigung dieser Unterlage, Verwertung und Mitteilung ihres Inhalts sind nur mit unserer ausdrücklichen Zustimmung gestattet. Alle Rechte für den Fall der Patenterteilung, oder Gebrauchsmuster-Eintragung vorbehalten./ Copying of this document and its transmitting to third parties as well as revelation of its contents, its subject to our consent. All rights reserved. Thermo Fisher Scientific	Modellname: FILE-1105-66278 Modellrevision: FEHLER! Revision Ers. f. / Replacement for:
Erstellt / Created		26 Mai 11	Ch.Noll					Kopie kann vom Maßstab abweichen / Copy may be not to scale			
Geprüft / Checked											
Freigabe Serie / Approval series											
Allgemeintoleranzen für Form und Lage / general tolerances for features		ISO 2768 - m K		Werkstoff, Halbzeug /Material, semifinished part		5FOOT 8INCH OR 10INCH 1300 SERIES A2		Benennung, Typ / Description, typ		ThIMBLE DUCTED	
ISO-System f. Grenzmaße und Passun-gen/ ISO- system o. limit dimension and fits DIN ISO 20286		Format / Size		A2		PDM Nr. / PDM No.		FILE-1105-66315		ERP Zeichnungs Nr. / ERP Drawing No. Revision	
Nennmaßbereich/nominal size range		Toleranzklasse / tolerance class		Oberflächenbeschaffenheit / Surface finish according DIN EN ISO 1302		Tolerierung / Tolerance according ISO 8015		Werkstückkanten / Work piece edges DIN ISO 13715.		Blatt/Sheet	
> 0.5	> 3.0	> 6.0	> 30	> 120	> 400	> 1000	> 2000	Thermo Fisher SCIENTIFIC		50129998 -	
< 3.0	< 6.0	< 30.0	< 120	< 400	< 1000	< 2000	< 2000	PDM Nr. / PDM No.		1 / 1	
±0.05	±0.05	±0.1	±0.15	±0.2	±0.3	±0.5	±0.5	FILE-1105-66315			
±0.1	±0.1	±0.2	±0.3	±0.5	±0.8	±1.2	±1.2	50129998 -			
±0.2	±0.3	±0.5	±0.8	±1.2	±2.0	±3.0	±3.0	Gewicht: 533366.04 g			