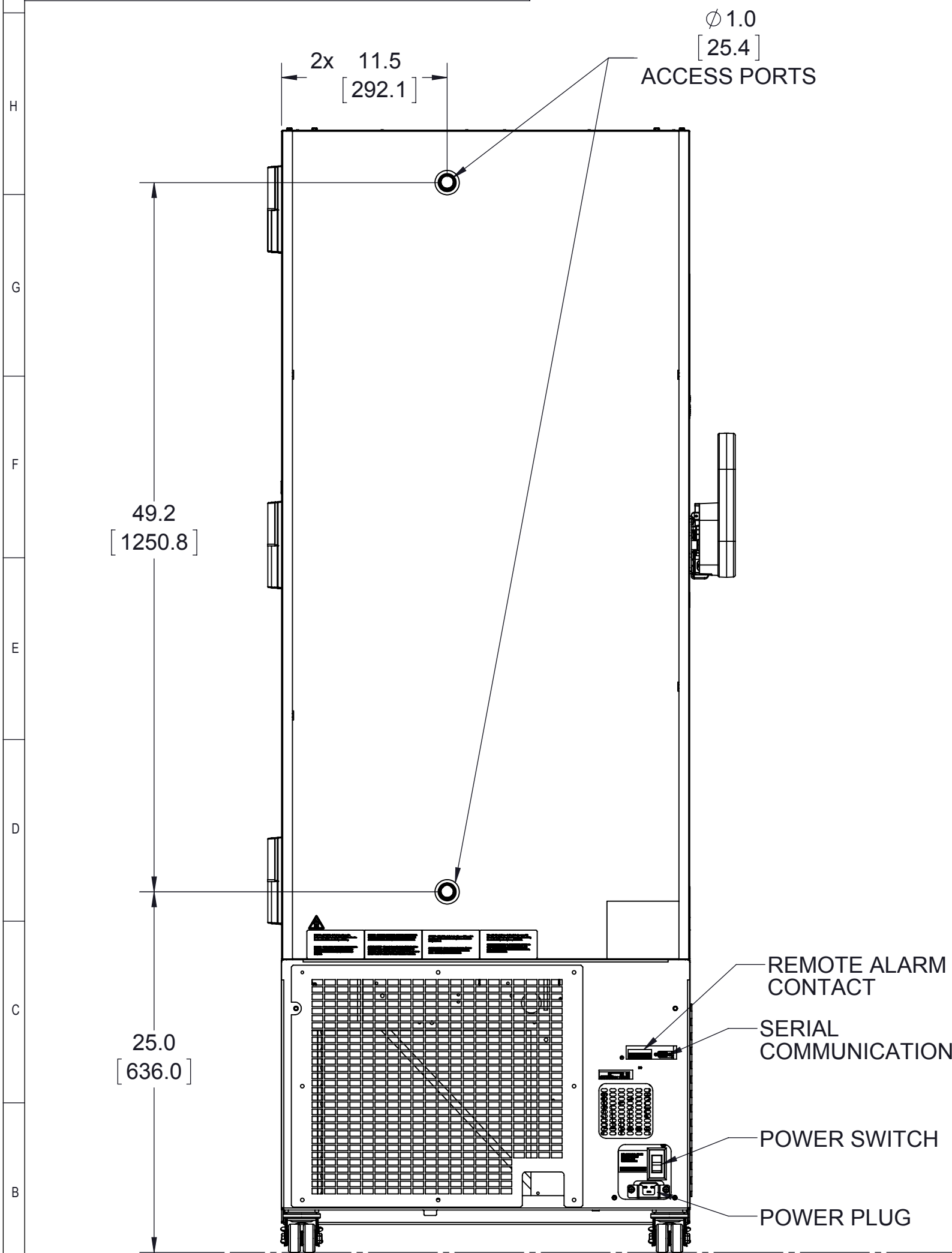
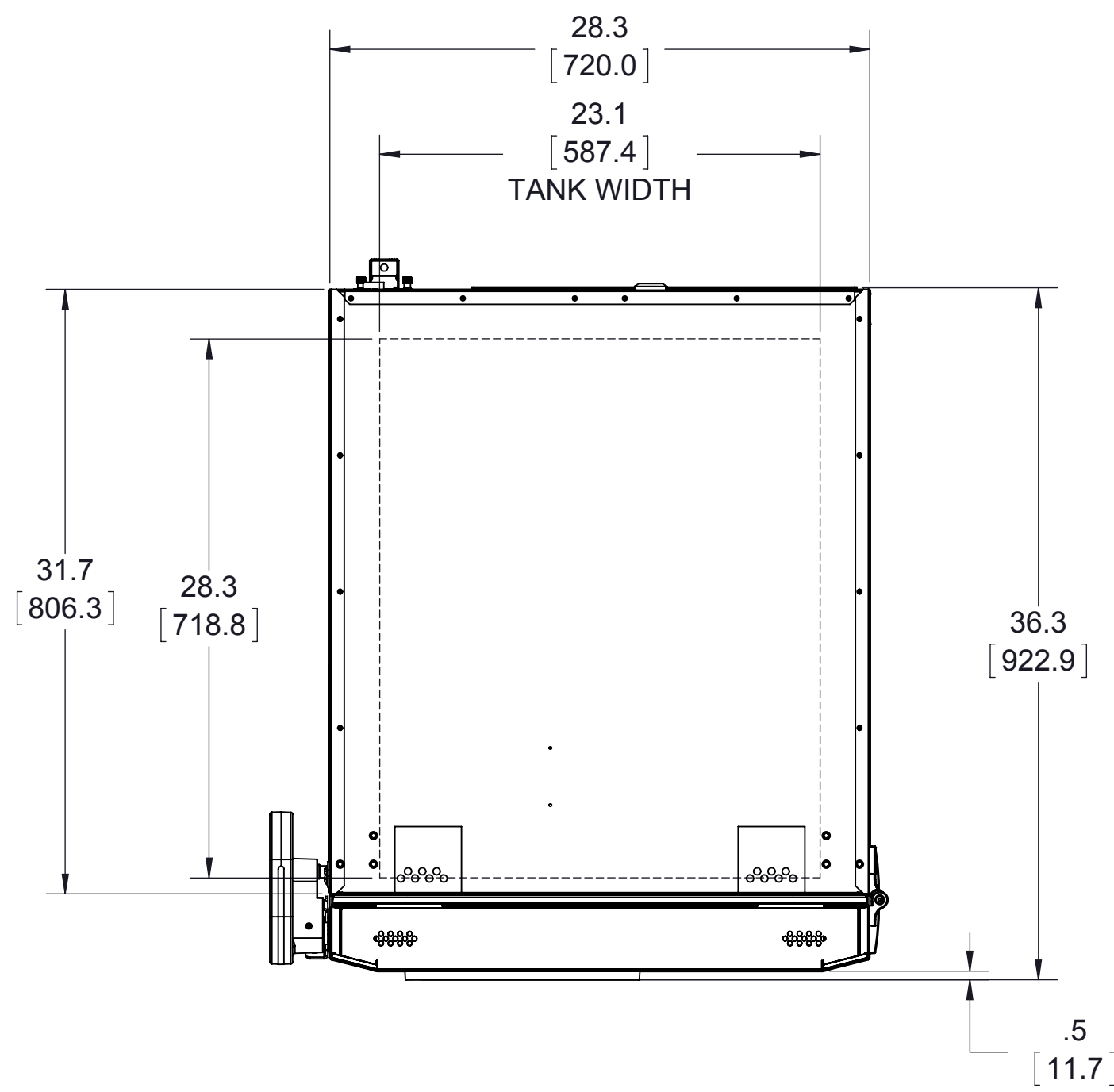
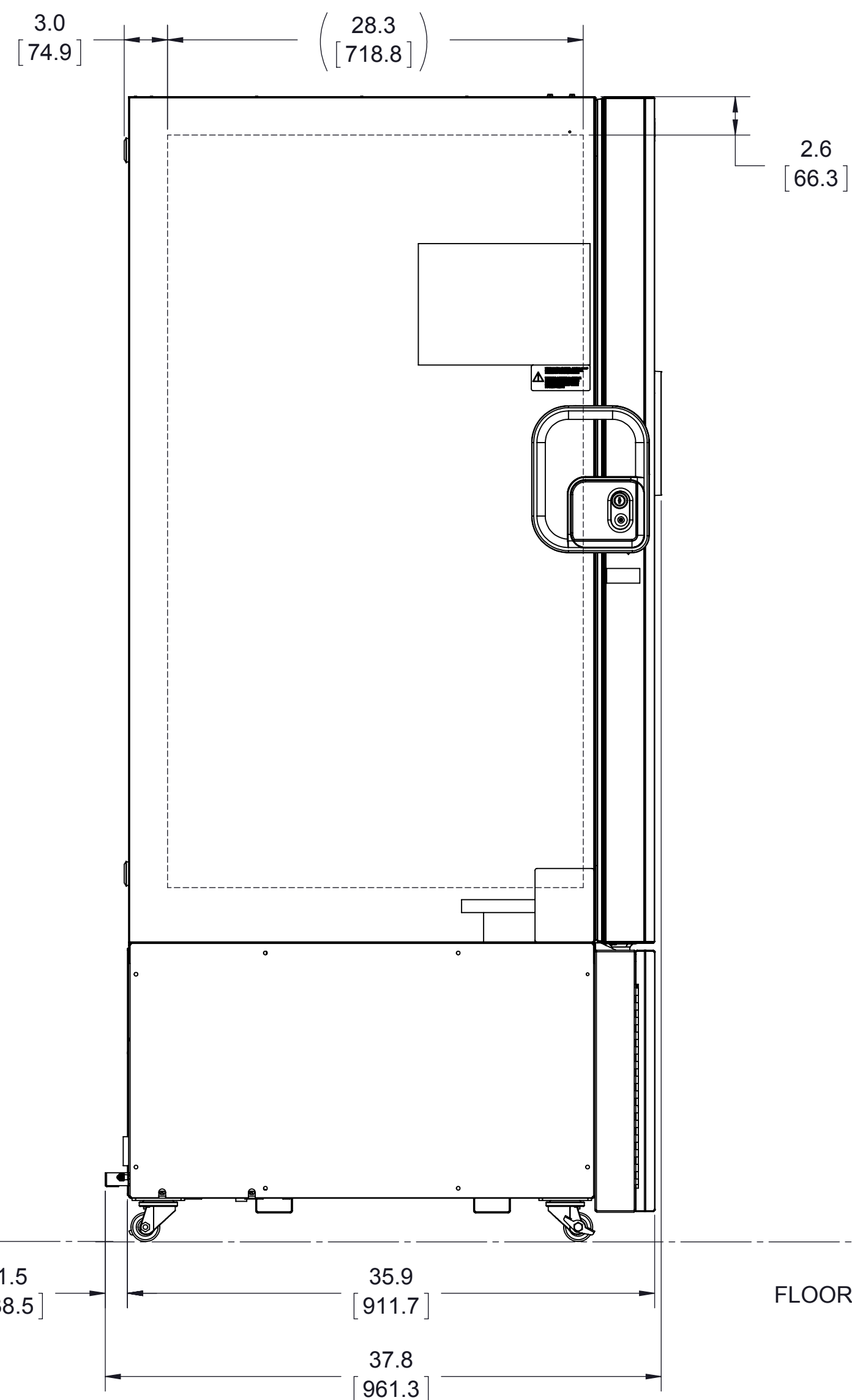


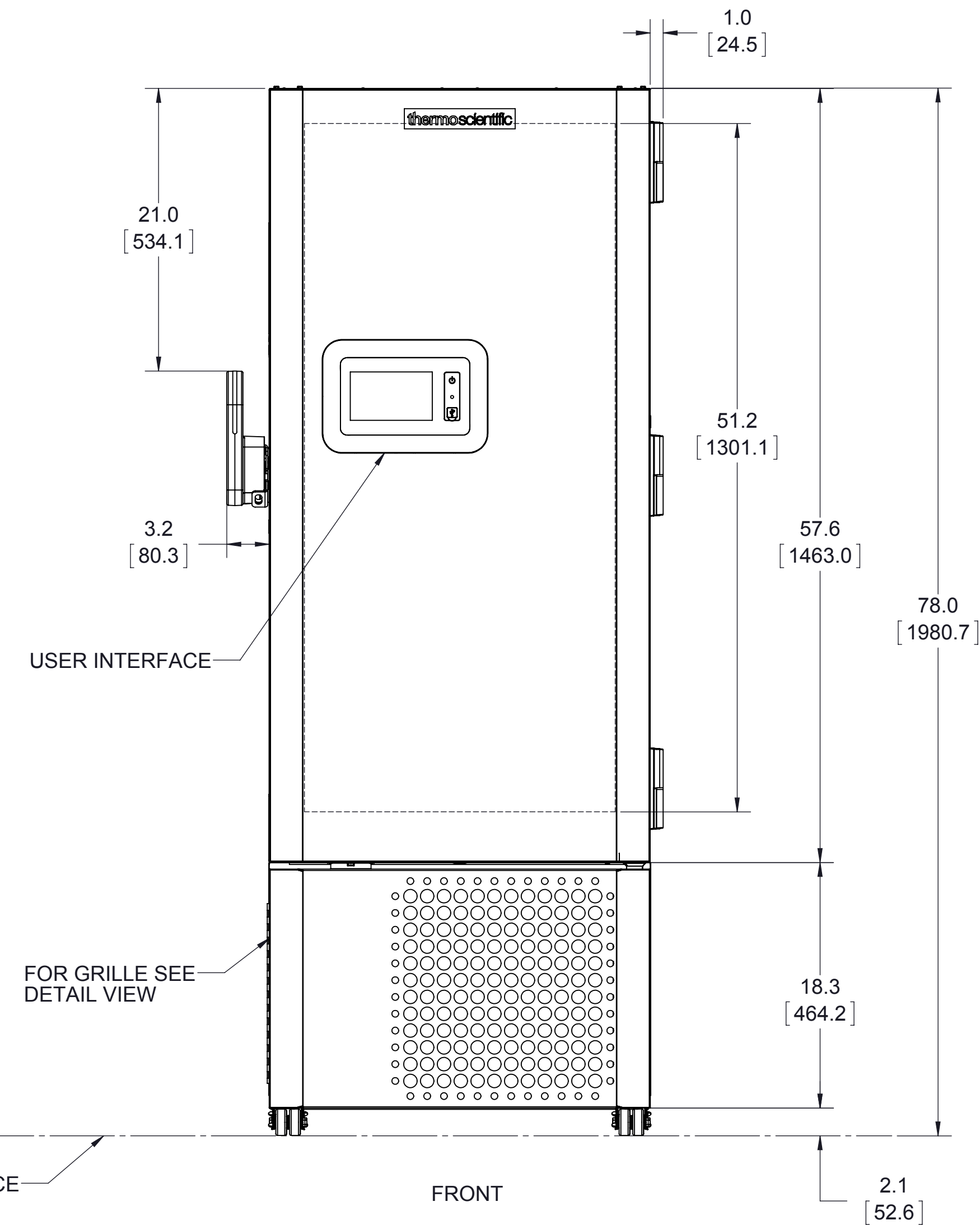
DETAIL VIEW OF GRILLE



BACK



FLOOR REFERENCE



FRONT

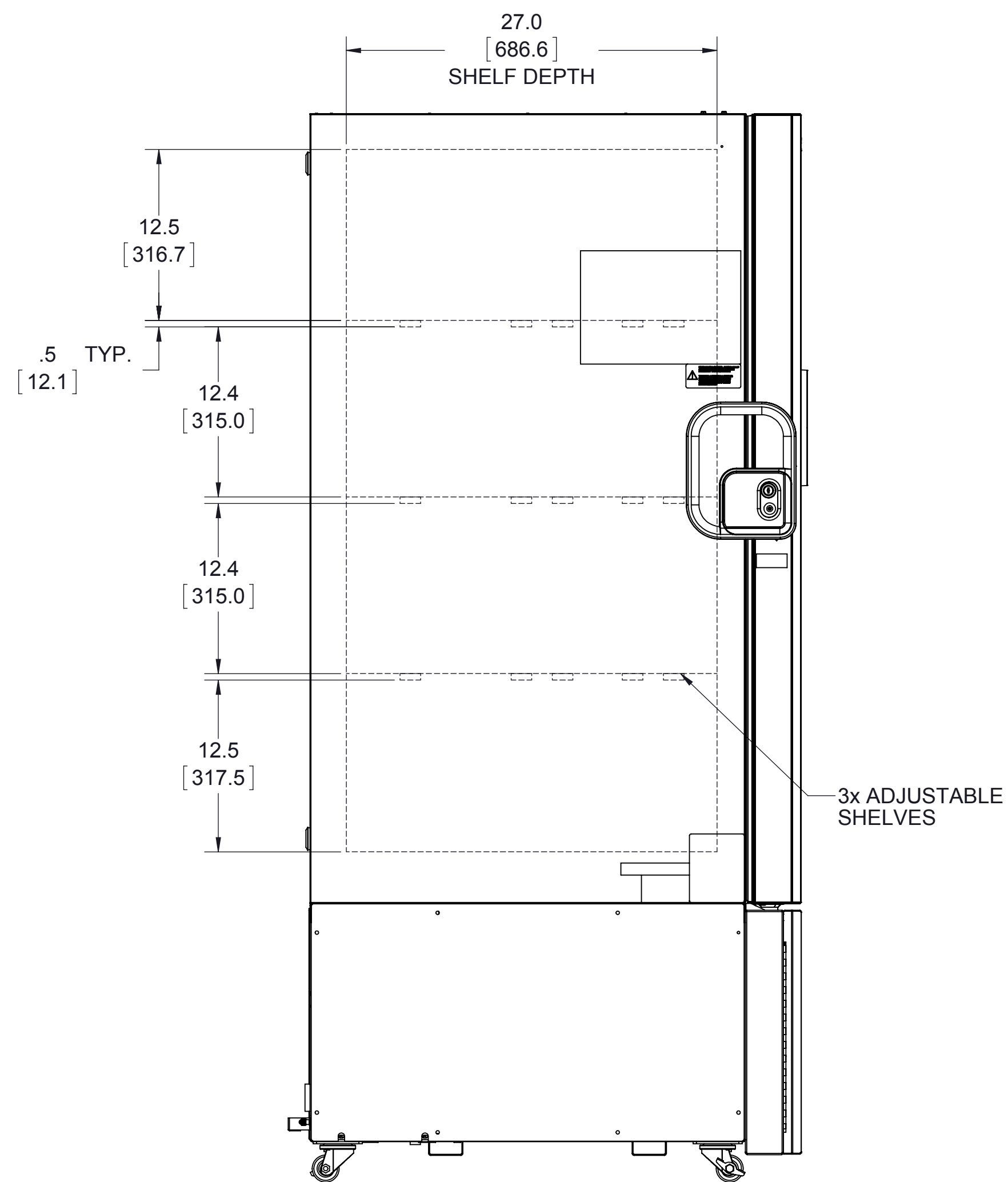
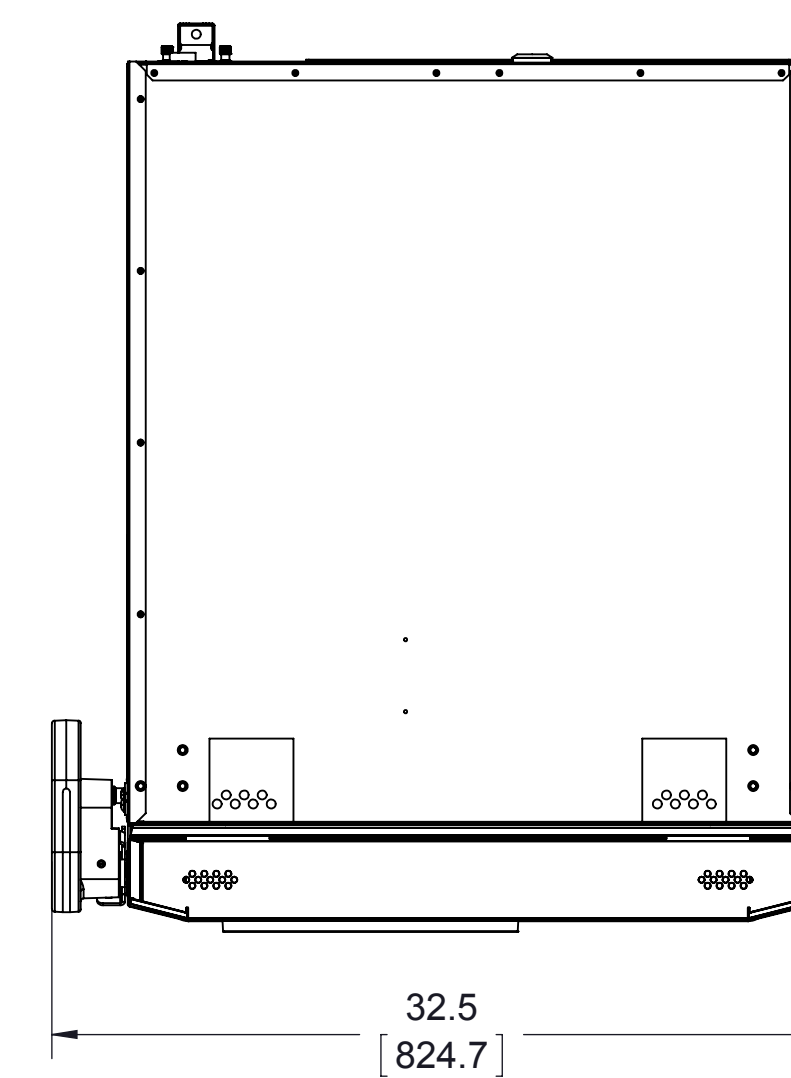
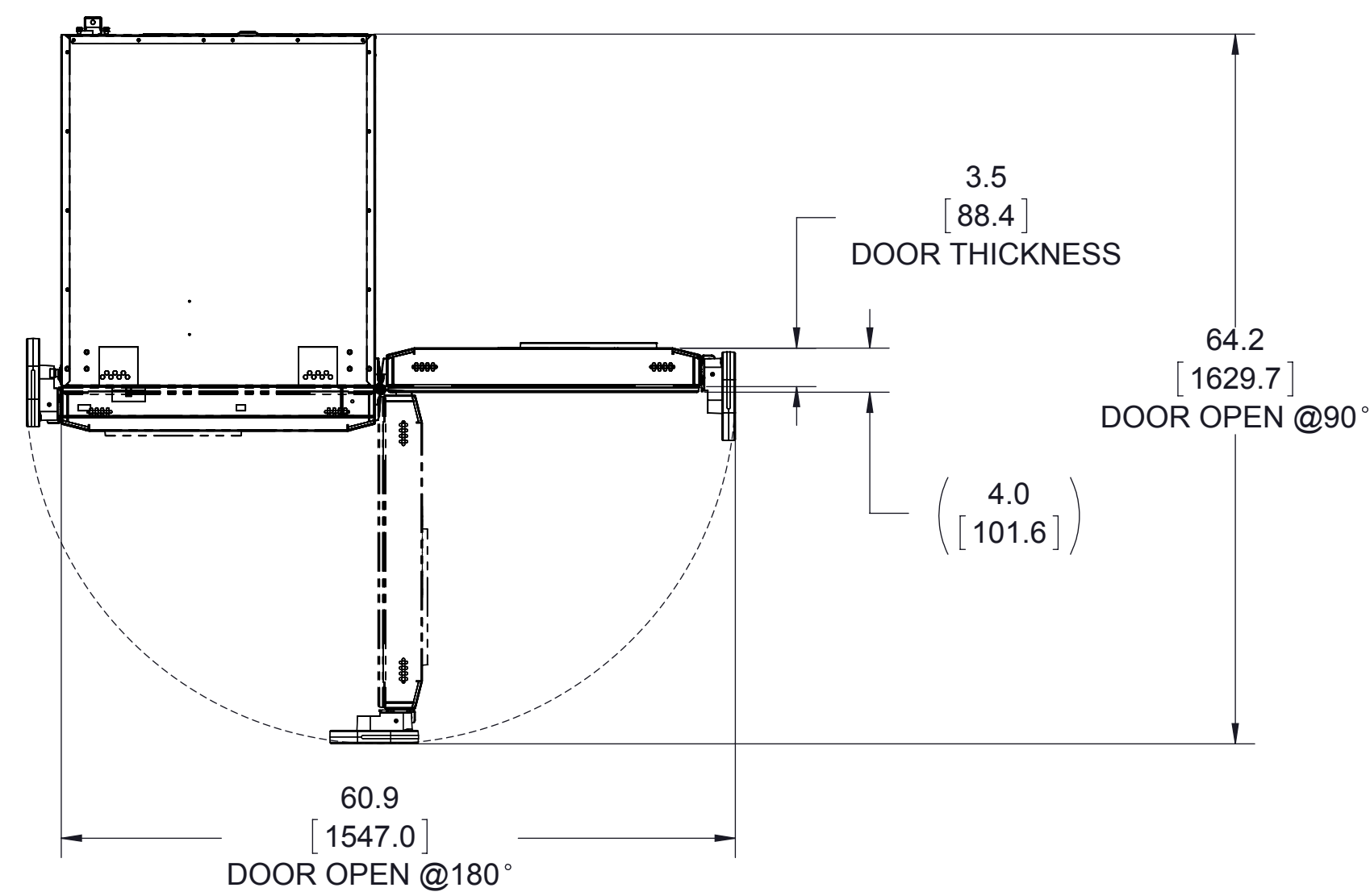
NOTES:

1. VERIFICATION OF ALL DIMENSIONS, SPECS, & NOTES REQUIRED FROM THE SUPPLIER AT THE TIME OF FIRST ARTICLE SUBMISSION. THIS SHALL INCLUDE MEASUREMENTS FROM THE FIRST ARTICLE SAMPLES.
2. SYMBOLS, DESIGNATIONS AND GENERAL DRAWING METHODS ENGWI002.
3. DUAL DIMENSION IS INCH OVER METRIC.
4. BASIC DIMENSION TOLERANCE UNLESS OTHERWISE SPECIFIED: .X = 0.100"

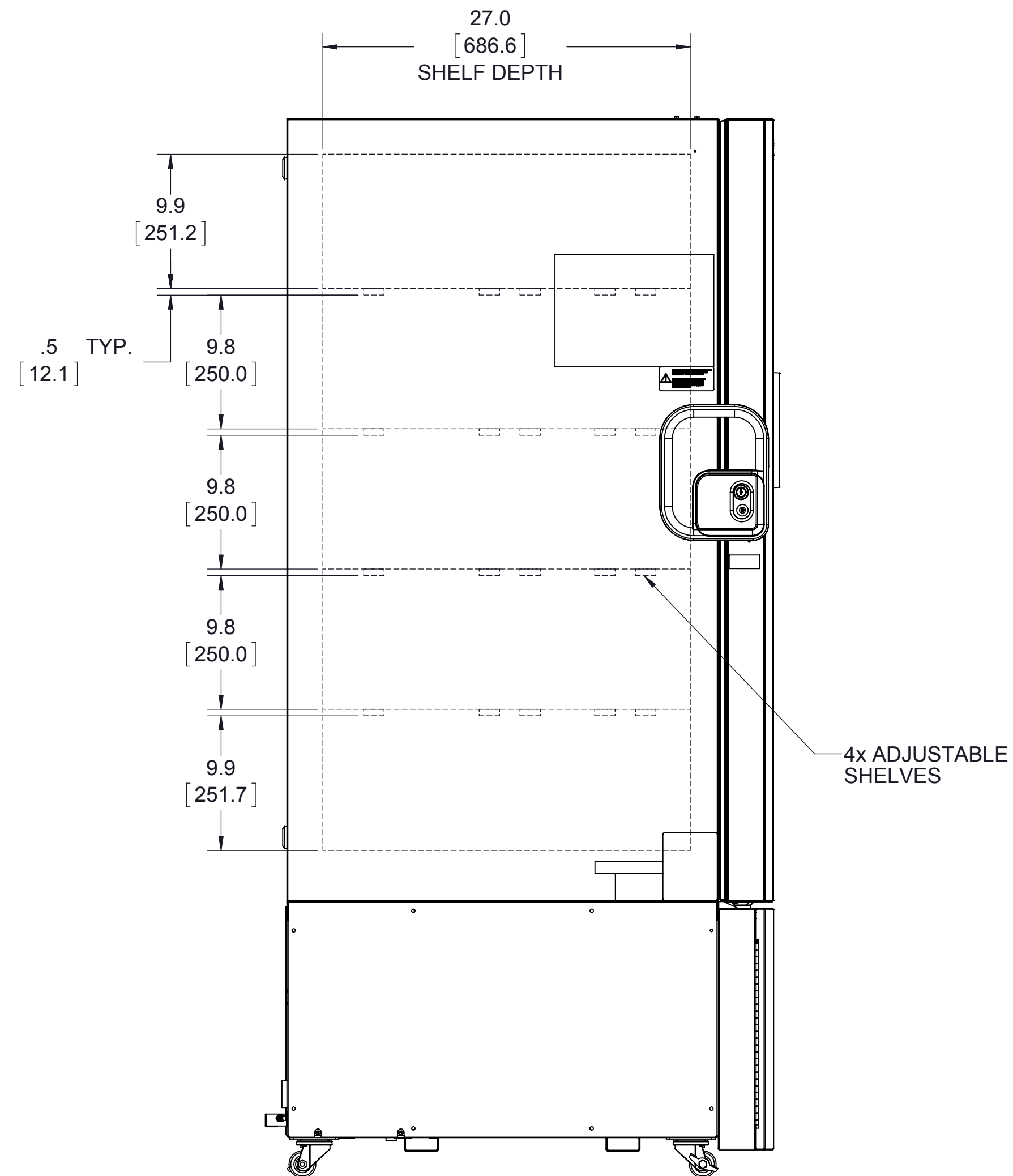
REV	DCO #	DATE	DESCRIPTION	INITIAL RELEASE
A	004030	2017-05-19		INITIAL RELEASE
REVISIONS THE INFORMATION CONTAINED HEREIN IS THE PROPERTY OF THERMO FISHER SCIENTIFIC. IT IS NOT TO BE REPRODUCED OR DISCLOSED IN WHOLE OR IN PART WITHOUT PRIOR WRITTEN CONSENT OF THERMO FISHER SCIENTIFIC. DO NOT SCALE THIS DRAWING.				
TITLE: UNIT DIMENSIONAL DRAWING, 400, PEEK HC / TSX DWG. NO.: 328048H02 SHEET 1 OF 2				

ARTICLE OR MATERIAL MUST COMPLY WITH THE ENVIRONMENTAL COMPLIANCE SPECIFICATION TFS DRAWING 260111S01

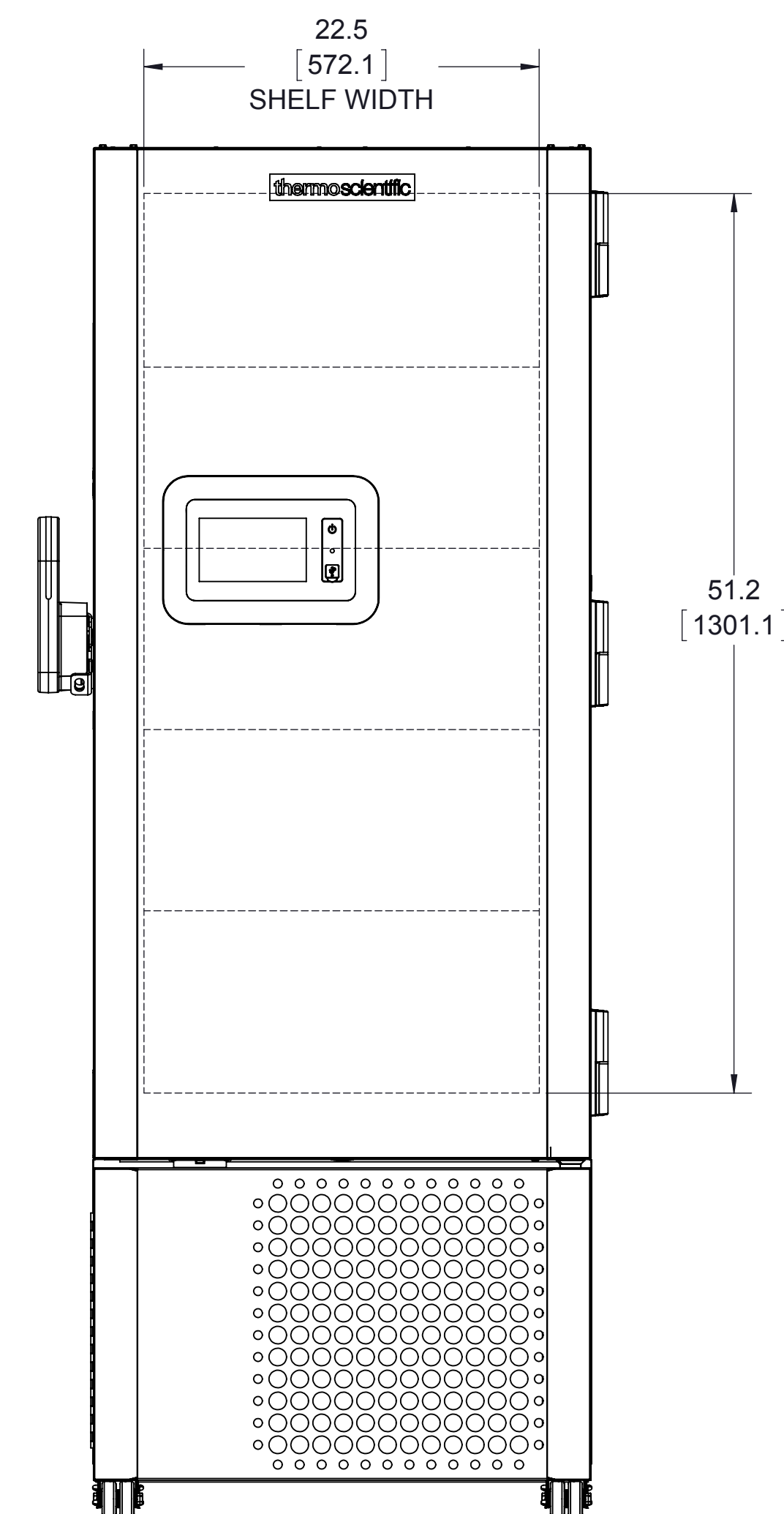
3RD ANGLE PROJECTION  
 SIZE: D  
 SHEET 1 OF 2



3 SHELVES



4 SHELVES



FRONT

REV	DCO #	DATE	DESCRIPTION
A	004030	2017-05-19	SEE SHEET 1

REVISIONS

THE INFORMATION CONTAINED HEREIN IS THE PROPERTY OF THERMO FISHER SCIENTIFIC. IT IS NOT TO BE REPRODUCED OR DISCLOSED IN WHOLE OR IN PART WITHOUT PRIOR WRITTEN CONSENT OF THERMO FISHER SCIENTIFIC. DO NOT SCALE THIS DRAWING.

TITLE: UNIT DIMENSIONAL DRAWING, 400, PEEK HC / TSX

ARTICLE OR MATERIAL MUST COMPLY WITH THE ENVIRONMENTAL COMPLIANCE SPECIFICATION TFS DRAWING 260111S01

3RD ANGLE PROJECTION

SIZE: D SHEET 2 OF 2

DWG. NO. 328048H02

ARTICLE OR MATERIAL MUST COMPLY WITH THE ENVIRONMENTAL COMPLIANCE SPECIFICATION TFS DRAWING 260111S01

3RD ANGLE PROJECTION

DWG. NO. 328048H02