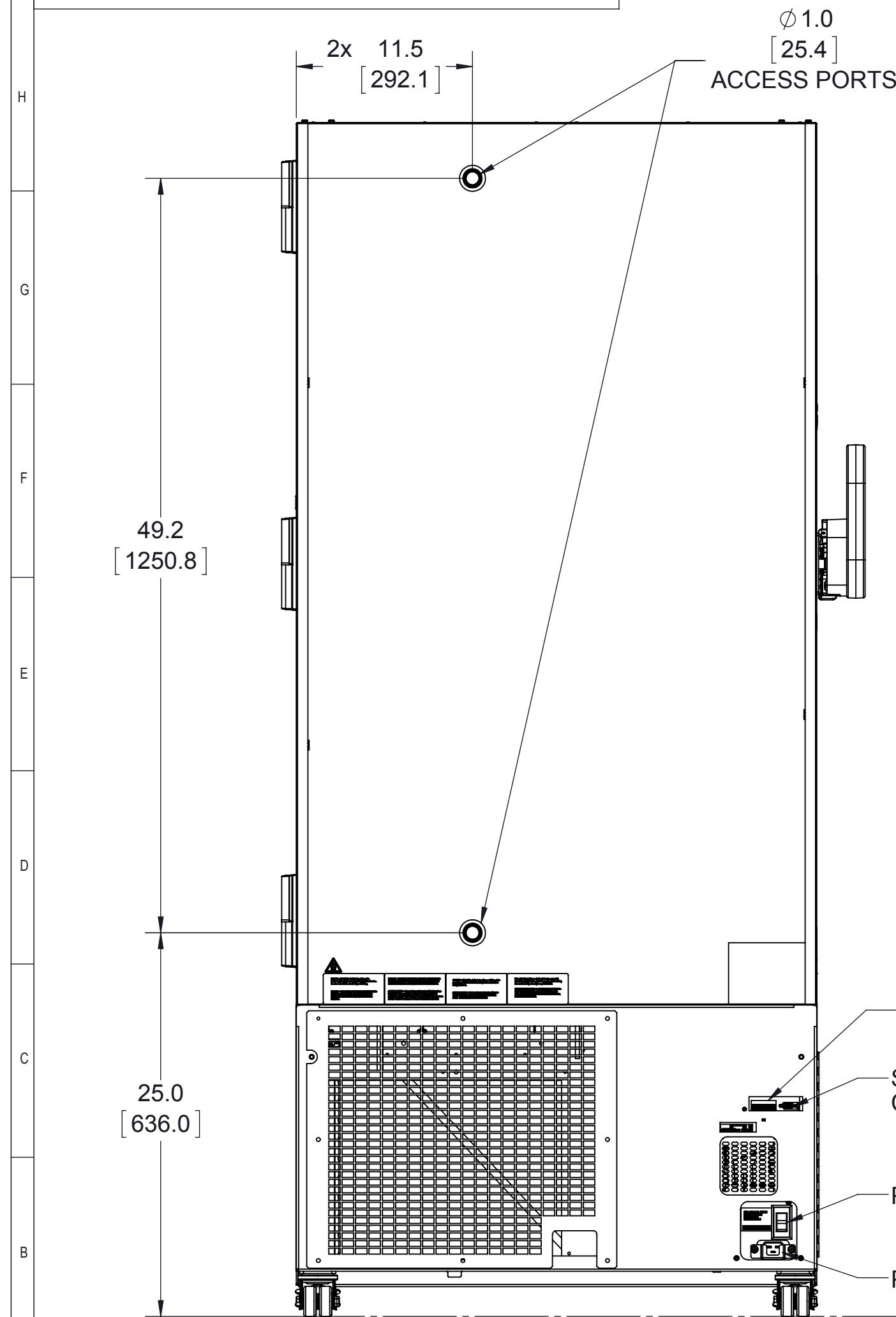
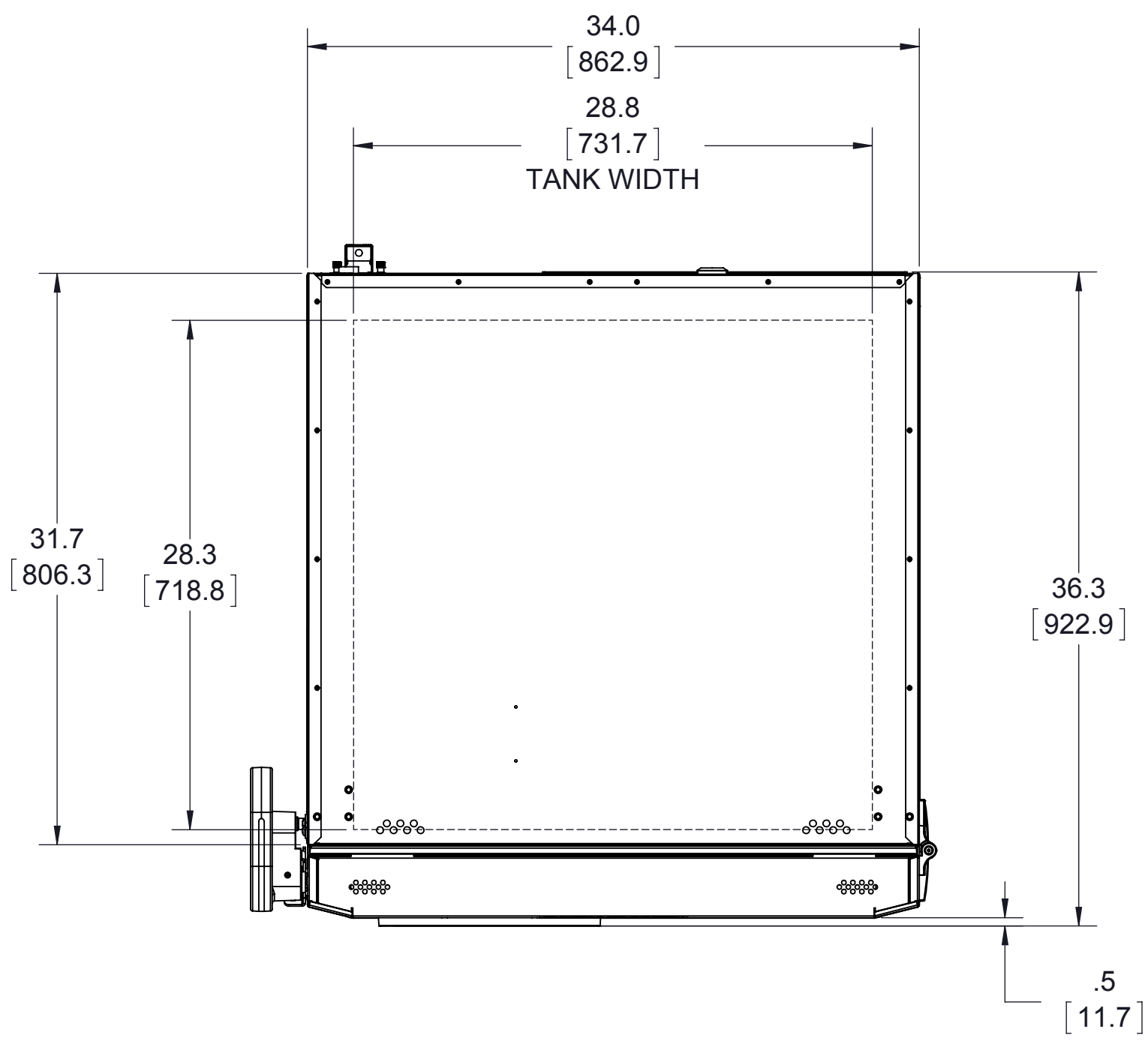
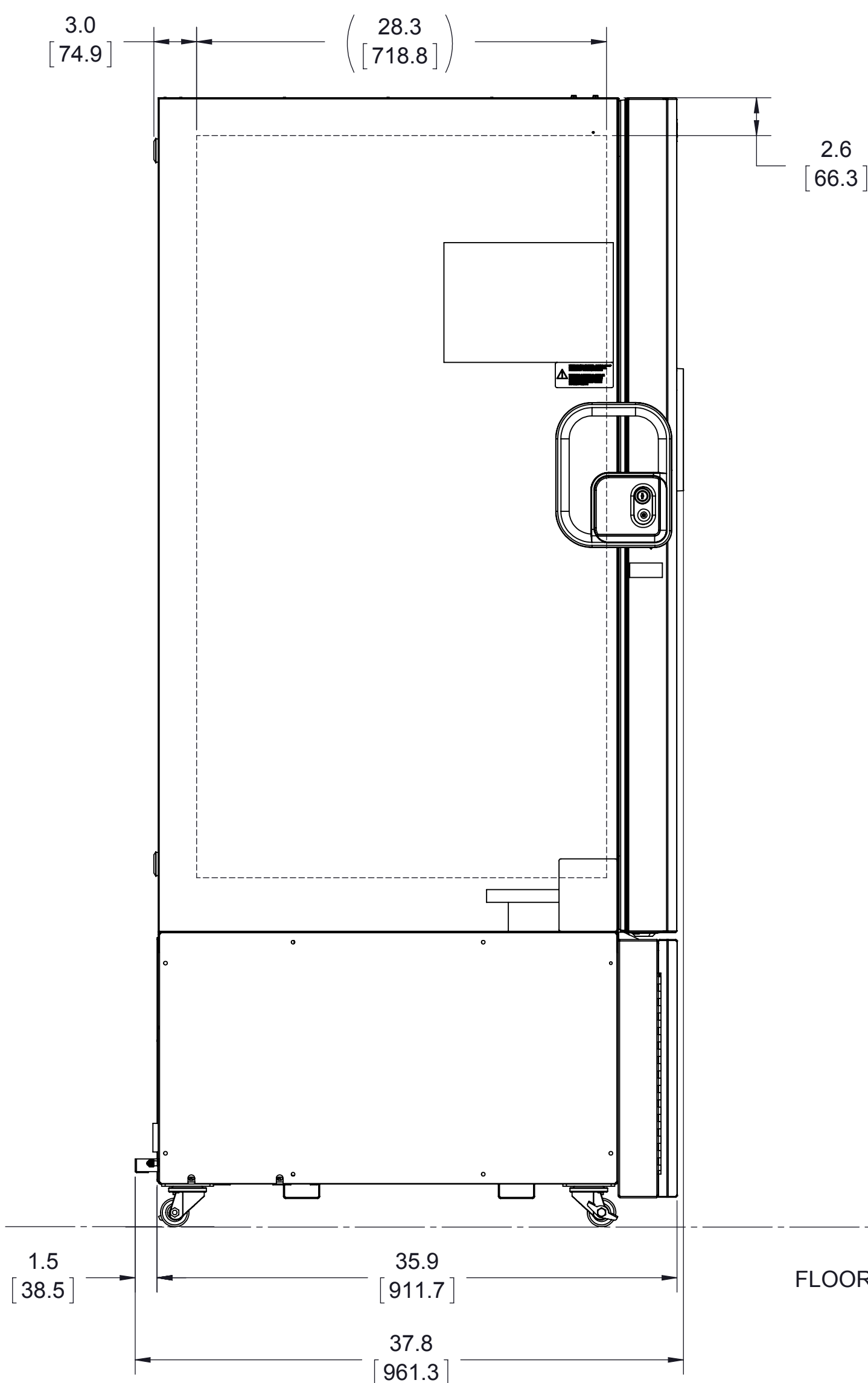


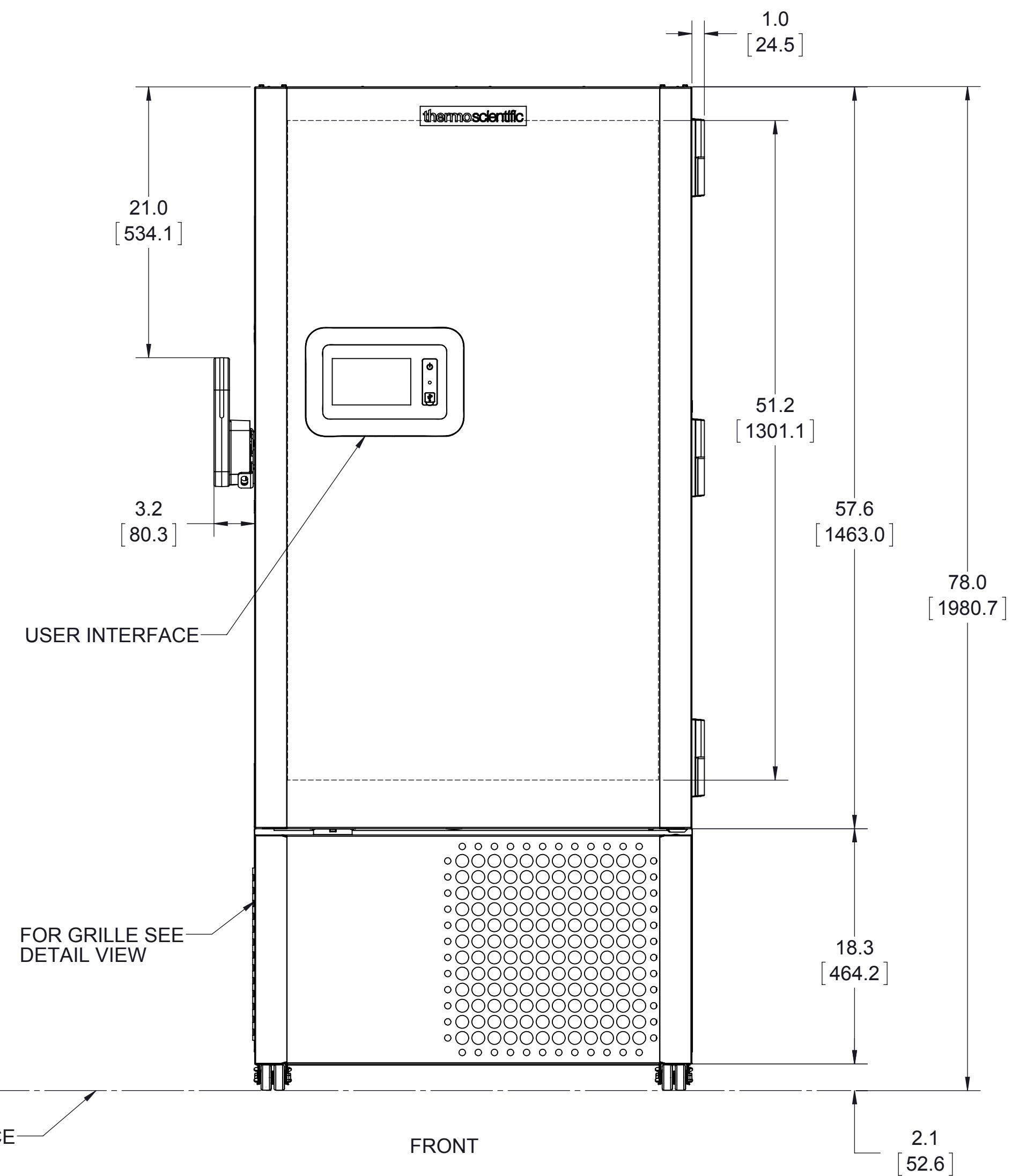
DETAIL VIEW OF GRILLE



BACK



FLOOR REFERENCE



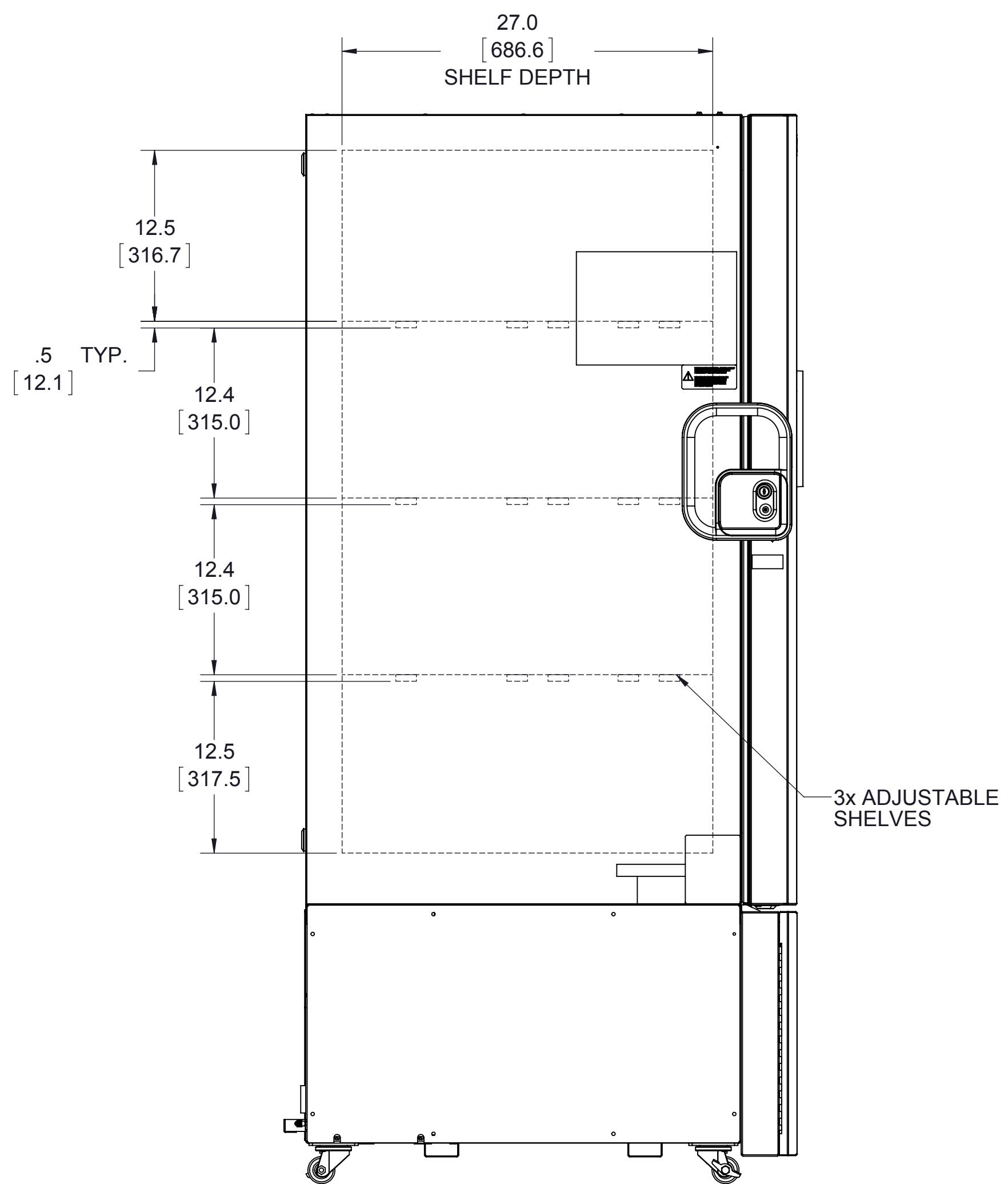
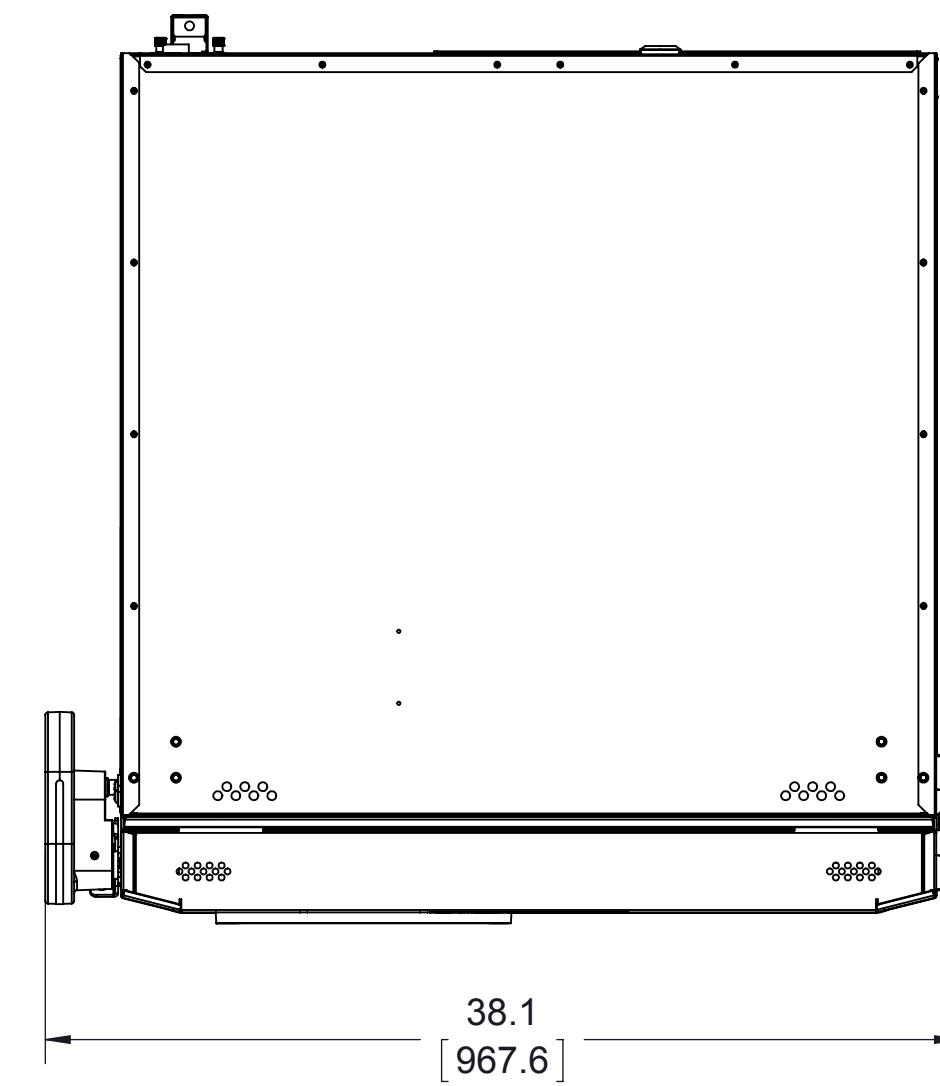
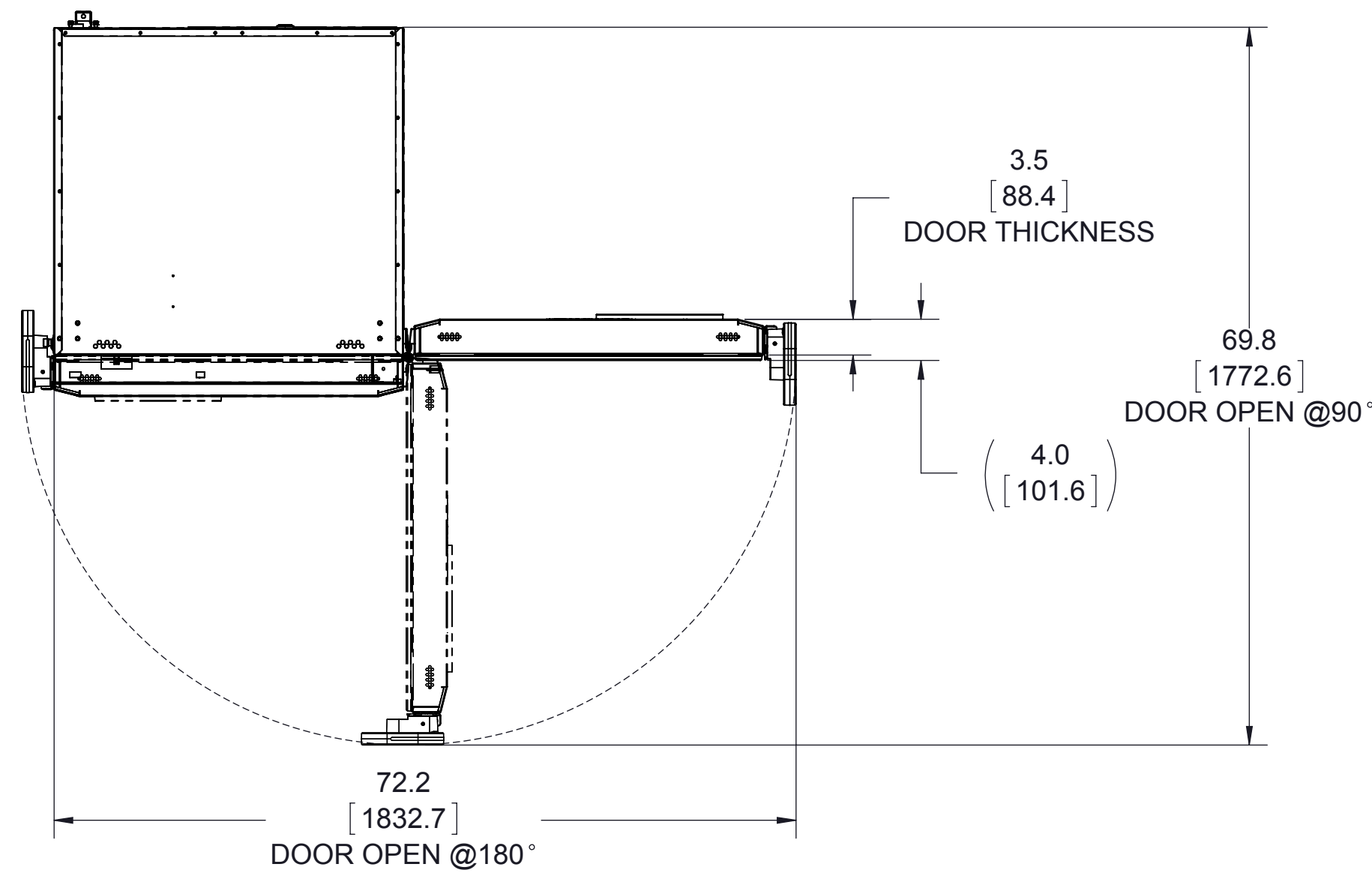
FRONT

NOTES:

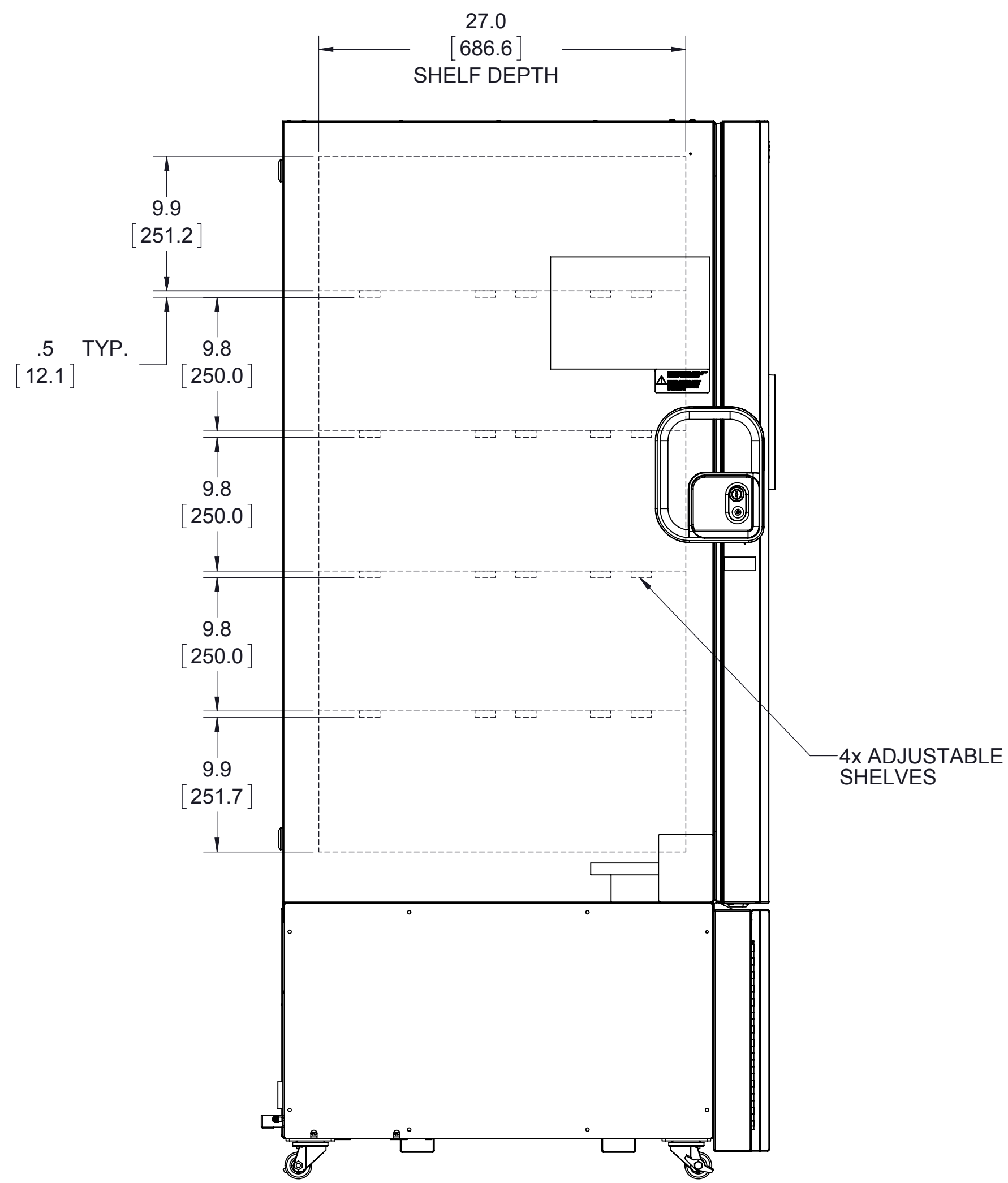
1. VERIFICATION OF ALL DIMENSIONS, SPECS, & NOTES REQUIRED FROM THE SUPPLIER AT THE TIME OF FIRST ARTICLE SUBMISSION. THIS SHALL INCLUDE MEASUREMENTS FROM THE FIRST ARTICLE SAMPLES.
2. SYMBOLS, DESIGNATIONS AND GENERAL DRAWING METHODS ENGWI002.
3. DUAL DIMENSION IS INCH OVER METRIC.
4. BASIC DIMENSION TOLERANCE UNLESS OTHERWISE SPECIFIED: .X = 0.100"

REV	DCO #	DATE	DESCRIPTION
A	004030	2017-05-23	INITIAL RELEASE

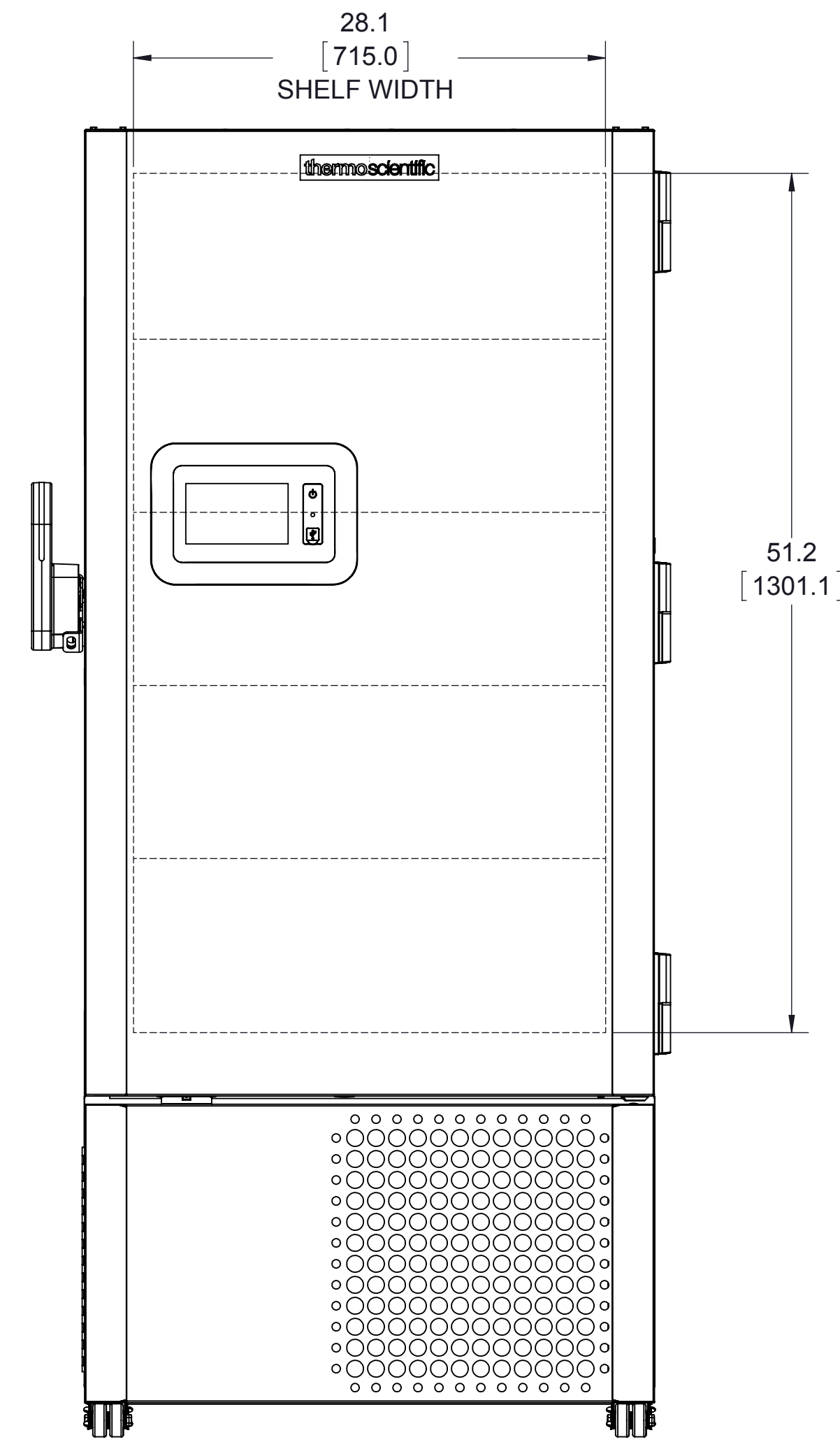
ThermoFisher SCIENTIFIC 275 AIKEN ROAD ASHEVILLE, NC 28804		THE INFORMATION CONTAINED HEREIN IS THE PROPRIETARY DATA OF THERMO FISHER SCIENTIFIC. IT IS NOT TO BE REPRODUCED OR DISCLOSED IN WHOLE OR IN PART WITHOUT PRIOR WRITTEN CONSENT OF THERMO FISHER SCIENTIFIC. DO NOT SCALE THIS DRAWING.
TITLE UNIT DIMENSIONAL DRAWING, 500, PEEK HC / TSX		DWG. NO. 328048H03
ARTICLE OR MATERIAL MUST COMPLY WITH THE ENVIRONMENTAL COMPLIANCE SPECIFICATION TFS DRAWING 260111S01		SIZE D SHEET 1 OF 2



3 SHELVES



4 SHELVES



FRONT

REV	DCO #	DATE	DESCRIPTION
A	004030	2017-05-23	SEE SHEET 1

REVISIONS

ThermoFisher
SCIENTIFIC

THE INFORMATION CONTAINED HEREIN IS THE PROPRIETARY DATA OF THERMO FISHER SCIENTIFIC. IT IS NOT TO BE REPRODUCED OR DISCLOSED IN WHOLE OR IN PART WITHOUT PRIOR WRITTEN CONSENT OF THERMO FISHER SCIENTIFIC. DO NOT SCALE THIS DRAWING.

275 AIKEN ROAD
ASHEVILLE, NC 28804

ARTICLE OR MATERIAL MUST COMPLY WITH THE ENVIRONMENTAL COMPLIANCE SPECIFICATION TFS DRAWING 260111S01

3RD ANGLE PROJECTION

DWG. NO. 328048H03

SIZE D SHEET 2 OF 2