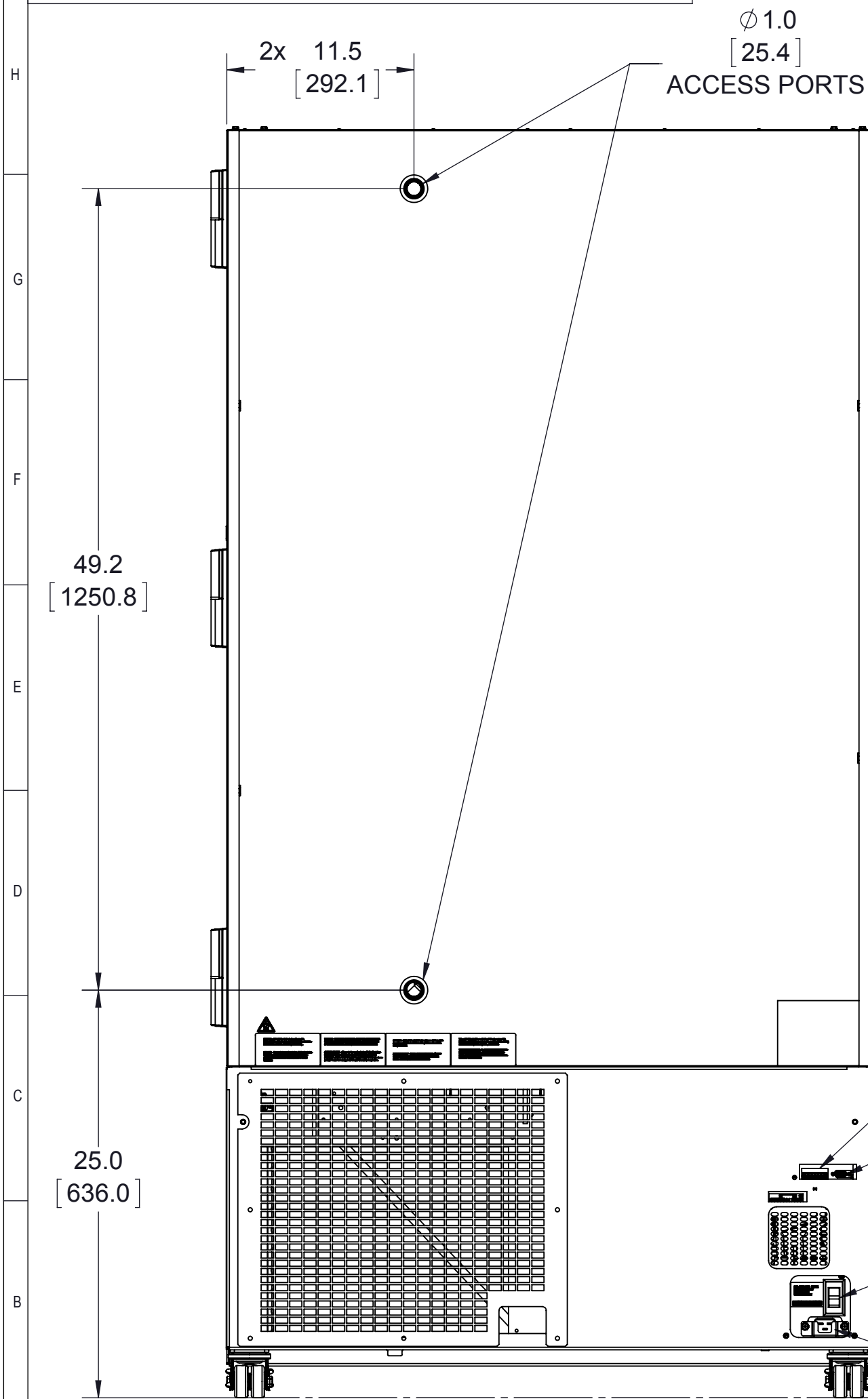
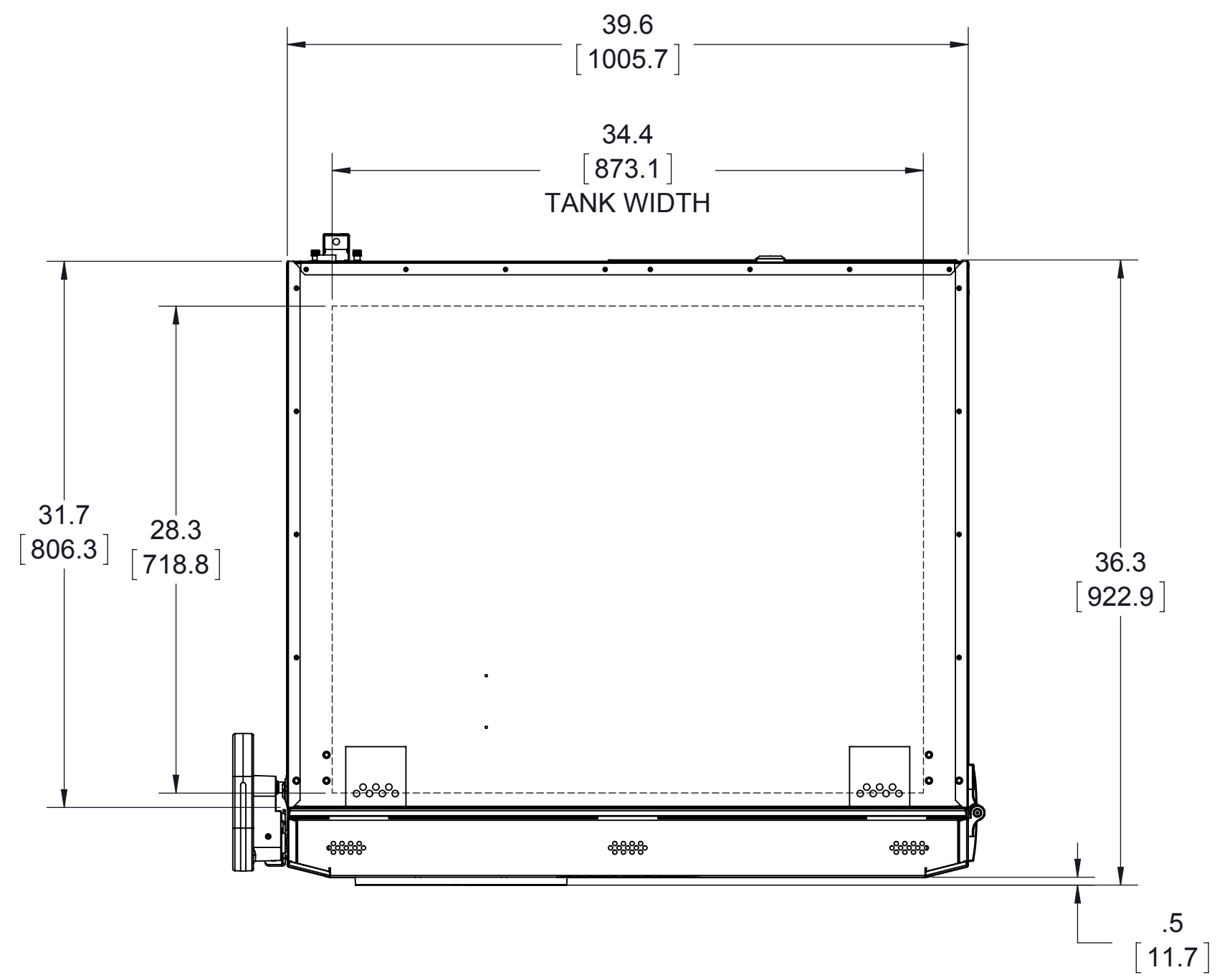
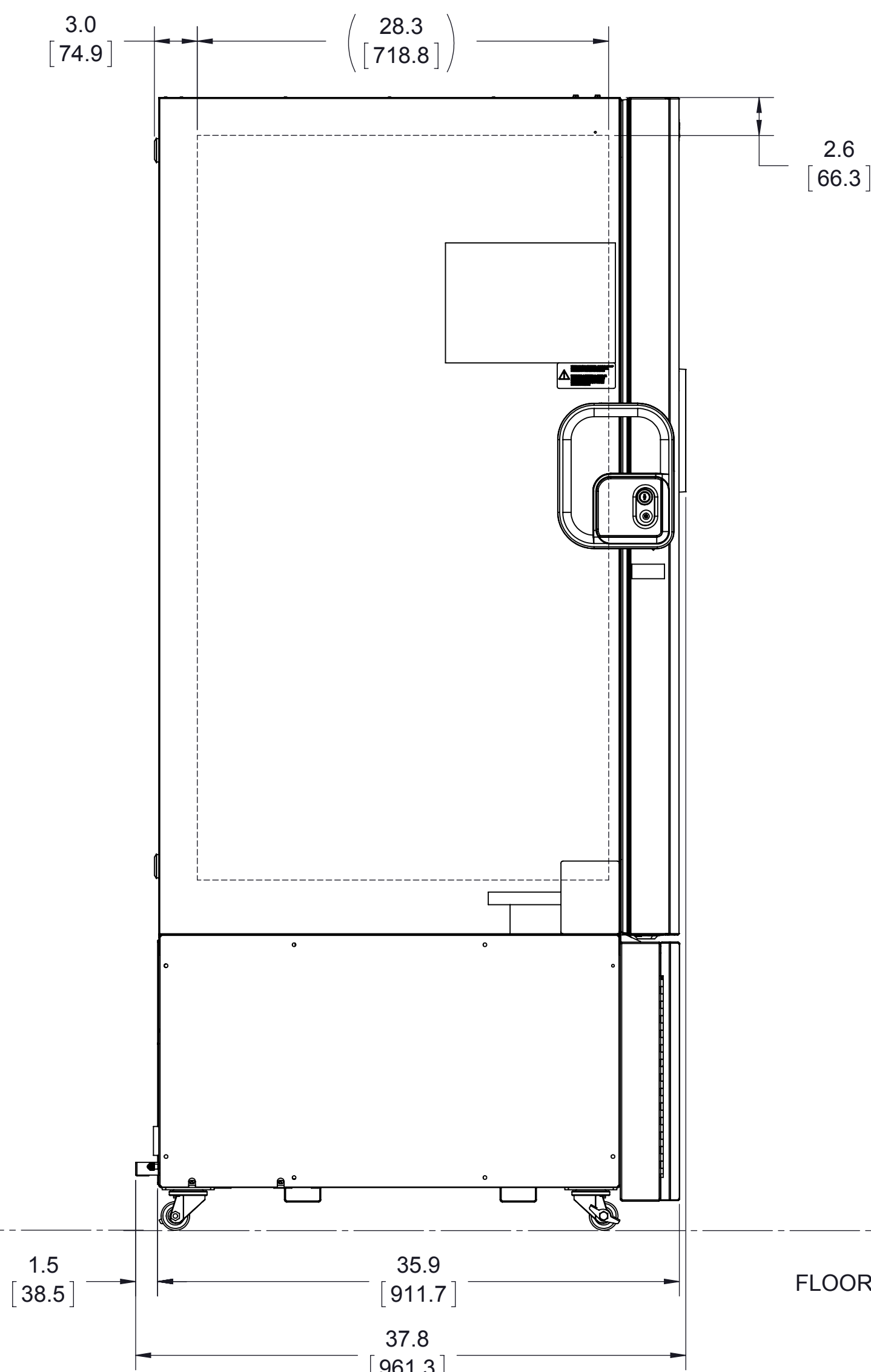


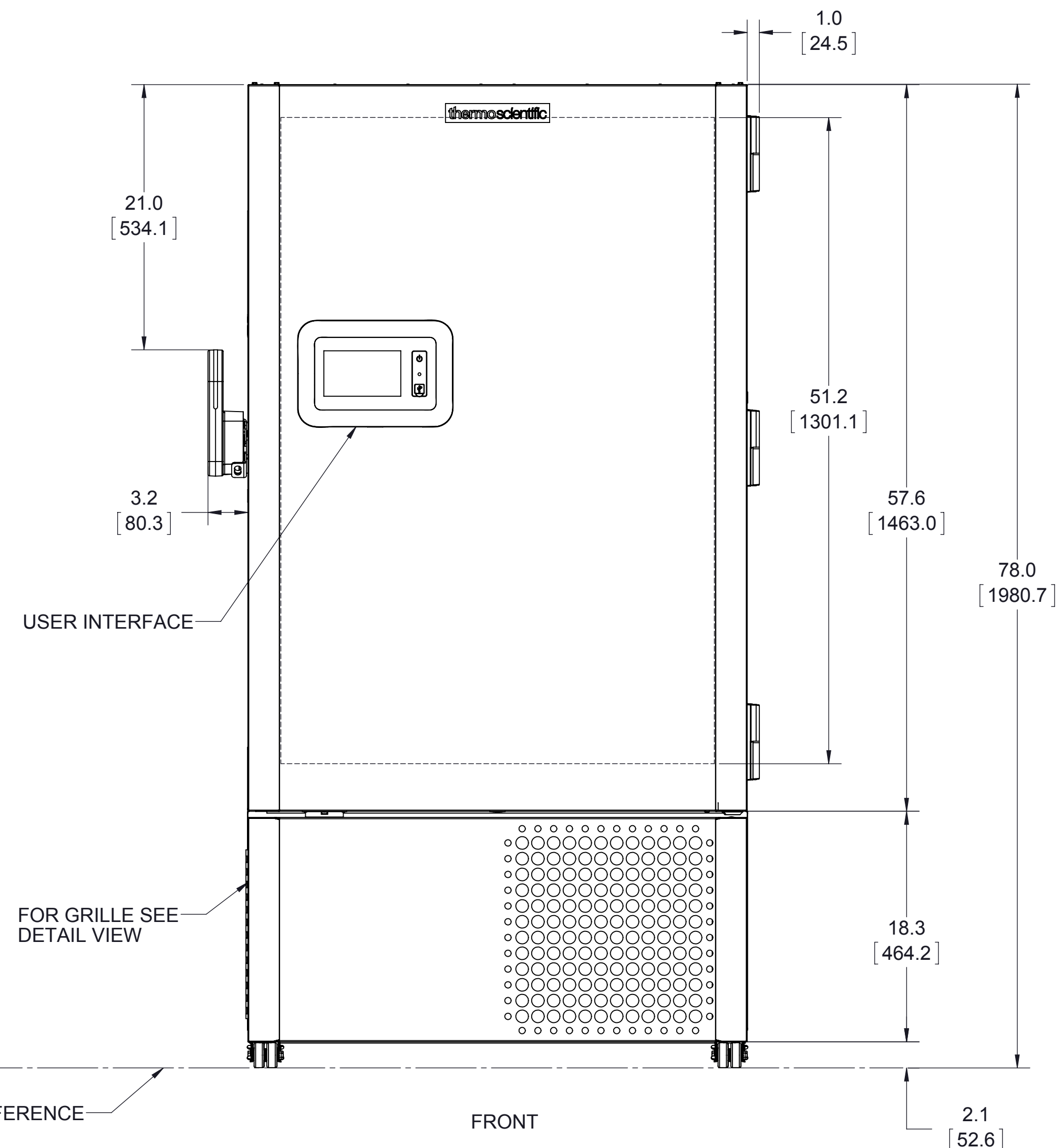
DETAIL VIEW OF GRILLE



BACK



FLOOR REFERENCE



FRONT

NOTES:

1. VERIFICATION OF ALL DIMENSIONS, SPECS, & NOTES REQUIRED FROM THE SUPPLIER AT THE TIME OF FIRST ARTICLE SUBMISSION. THIS SHALL INCLUDE MEASUREMENTS FROM THE FIRST ARTICLE SAMPLES.
2. SYMBOLS, DESIGNATIONS AND GENERAL DRAWING METHODS ENGWI002.
3. DUAL DIMENSION IS INCH OVER METRIC.
4. BASIC DIMENSION TOLERANCE UNLESS OTHERWISE SPECIFIED: .X = 0.100"

REV	DCO #	DATE	DESCRIPTION
A	004030	2017-05-23	INITIAL RELEASE

REVISIONS

ThermoFisher SCIENTIFIC

275 AIKEN ROAD
ASHEVILLE, NC 28804

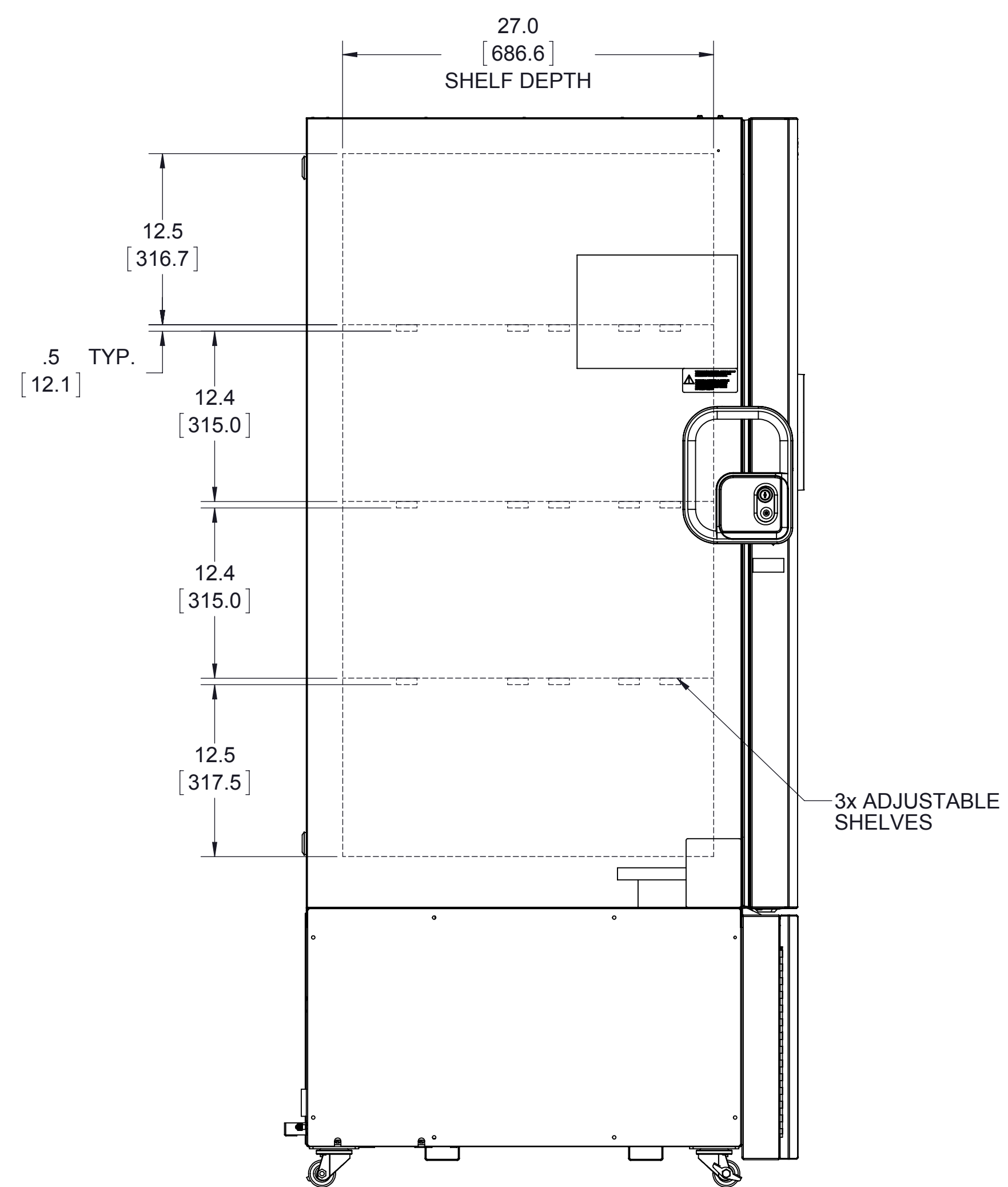
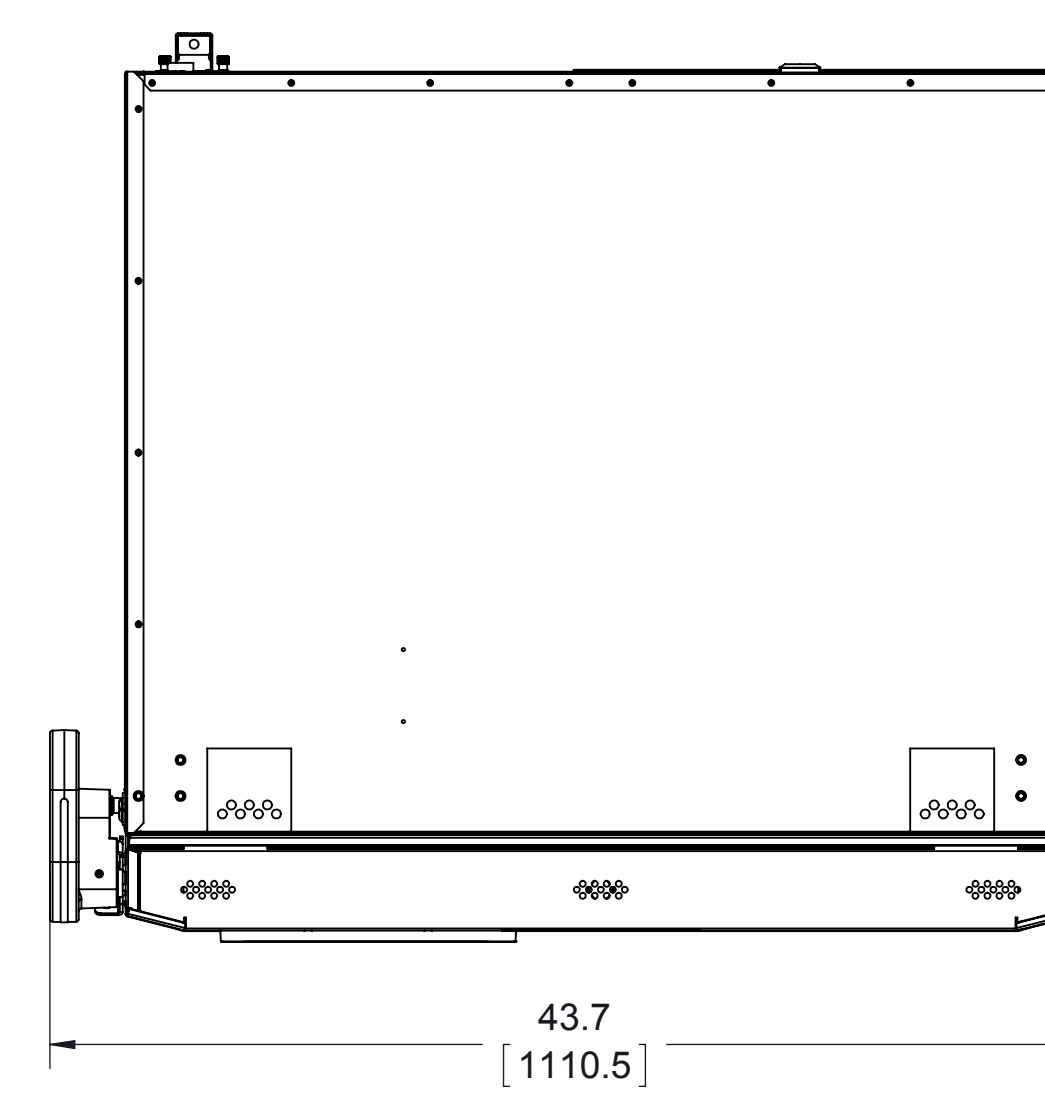
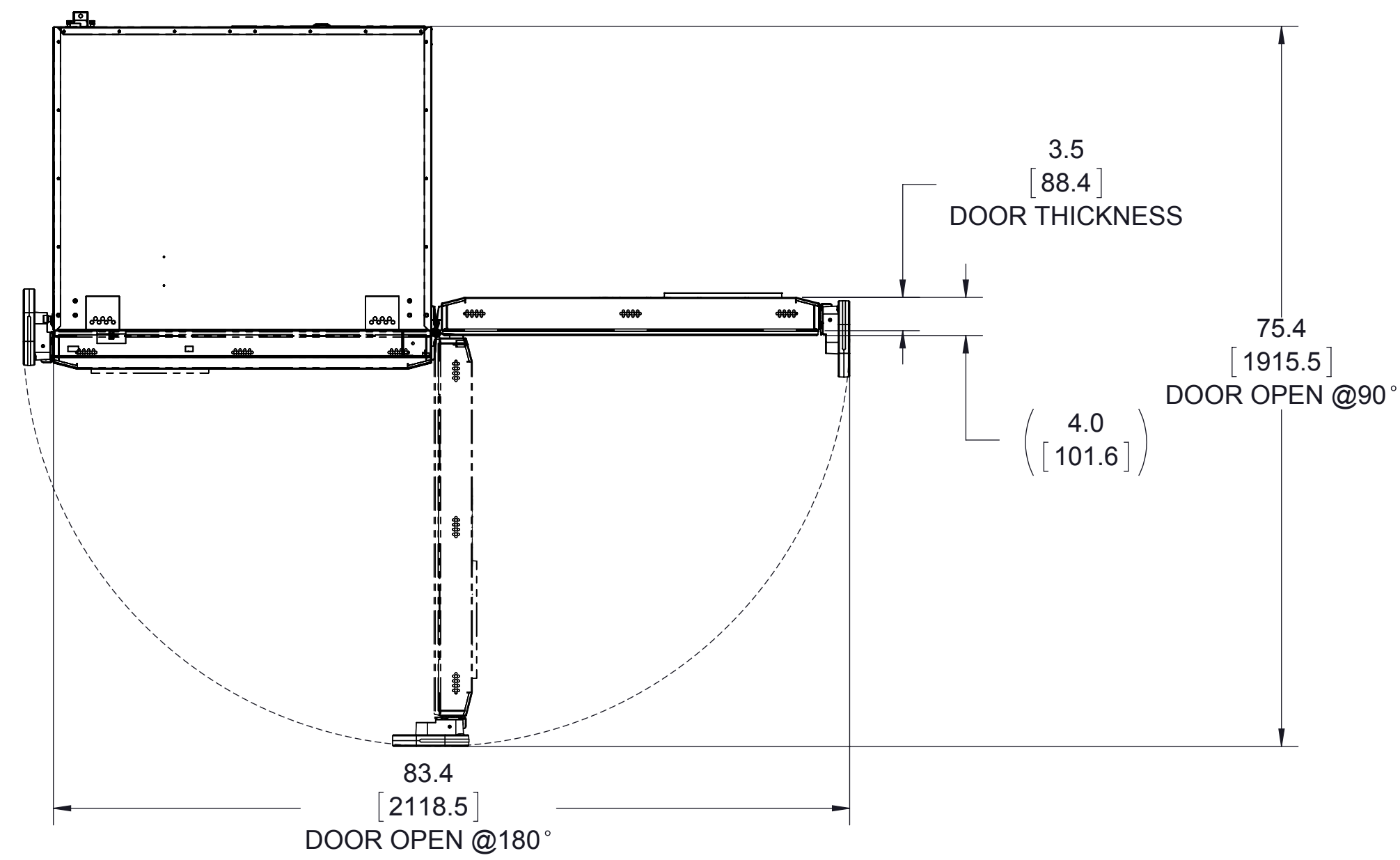
TITLE: UNIT DIMENSIONAL DRAWING, 600, PEEK HC / TSX

ARTICLE OR MATERIAL MUST COMPLY WITH THE ENVIRONMENTAL COMPLIANCE SPECIFICATION TFS DRAWING 260111S01

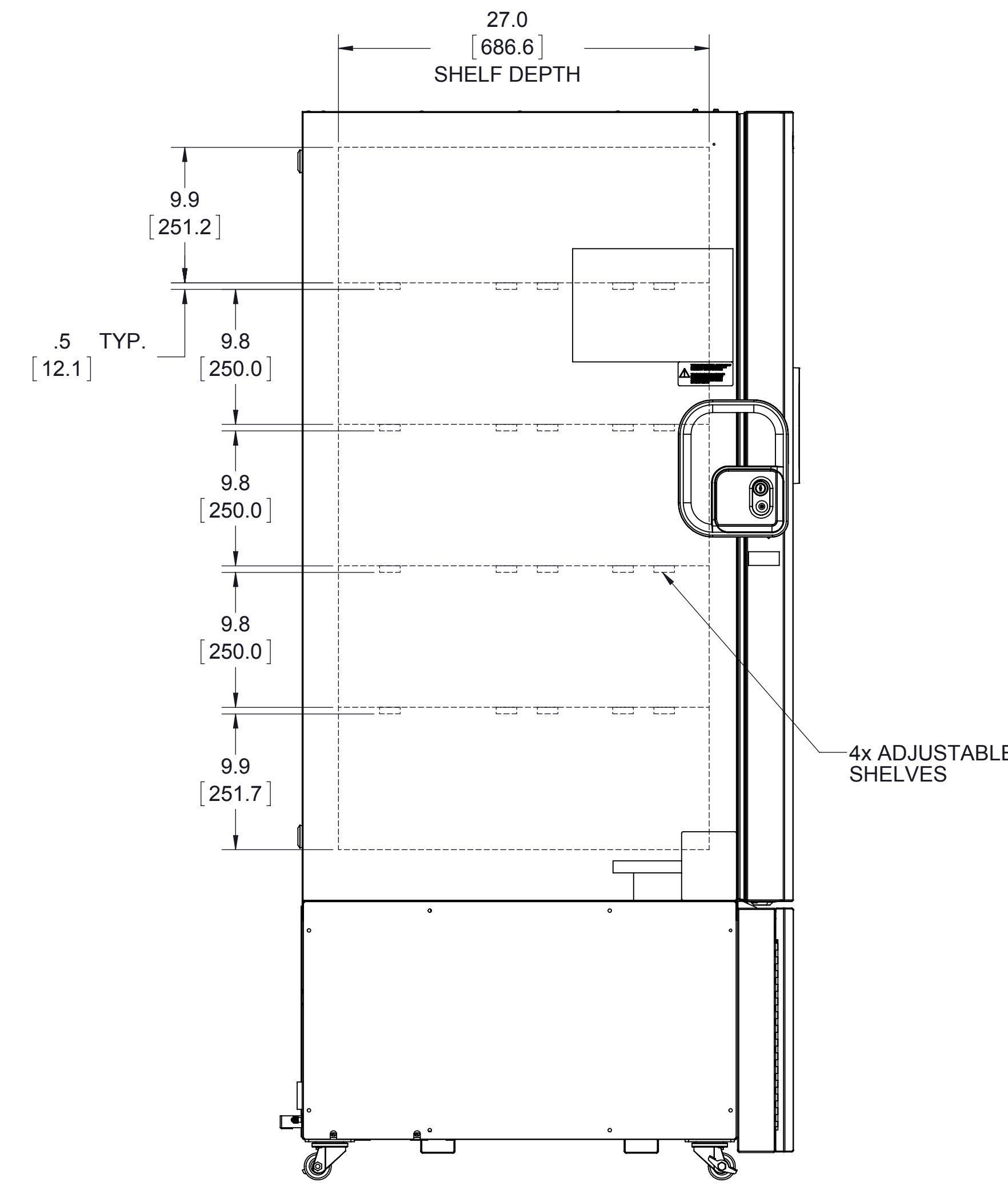
3RD ANGLE PROJECTION

SIZE: D SHEET 1 OF 2

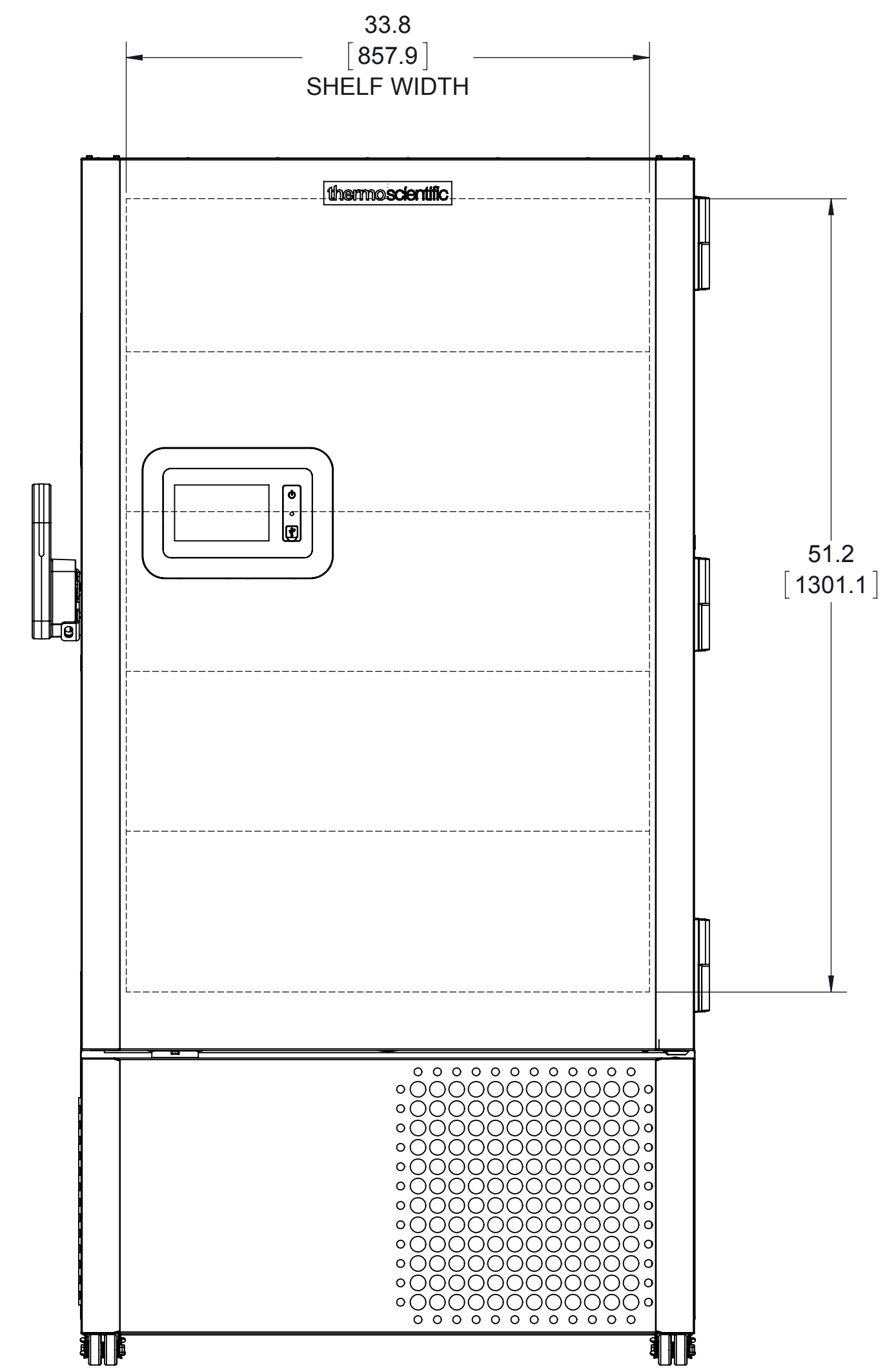
DWG. NO. 328048H04



3 SHELVES



4 SHELVES



FRONT

A	004030	2017-05-23	SEE SHEET 1
REV	DCO #	DATE	DESCRIPTION
REVISIONS ThermoFisher SCIENTIFIC 275 AIKEN ROAD ASHEVILLE, NC 28804 THE INFORMATION CONTAINED HEREIN IS THE PROPRIETARY DATA OF THERMO FISHER SCIENTIFIC. IT IS NOT TO BE REPRODUCED OR DISCLOSED IN WHOLE OR IN PART WITHOUT PRIOR WRITTEN CONSENT OF THERMO FISHER SCIENTIFIC. DO NOT SCALE THIS DRAWING.			
TITLE UNIT DIMENSIONAL DRAWING, 600, PEEK HC / TSX			
ARTICLE OR MATERIAL MUST COMPLY WITH THE ENVIRONMENTAL COMPLIANCE SPECIFICATION TFS DRAWING 260111S01			DWG. NO. 328048H04
SIZE D SHEET 2 OF 2		2	

ARTICLE OR MATERIAL MUST COMPLY WITH THE ENVIRONMENTAL COMPLIANCE SPECIFICATION TFS DRAWING 260111S01

3RD ANGLE PROJECTION

DWG. NO. 328048H04