

Thermo Scientific RapidStak™ Microplate Stacker

Automate your instruments for unattended operation using the fastest, most flexible stacker in its class.

The Thermo Scientific RapidStak is the fastest, most flexible microplate stacker in its class. It can be set up in minutes, providing walk-away time and relief from monotonous tasks. Dual-instrument loading allows plates to be quickly delivered and processed using two instruments simultaneously. And it can be easily upgraded to triple the capacity, making RapidStak the most versatile and productive stacker on the market.



The Advantages Stack Up

Laboratory automation frees you to concentrate on more important tasks. The Thermo Scientific RapidStak microplate stacker maximizes that walk-away time. Just fill the stacker with plates, start it, and walk away.

The RapidStak model holds 2 Staks, for a capacity of 50 plates. Its larger version, the RapidStak 2x, holds 4 Staks handling up to 150 plates, giving you even greater walk-away time.

The RapidStak Difference

- The fastest pick-and-place microplate stacking on the market
- As little as 6 seconds per plate load/unload
- Up to 300 plates per hour throughput
- Easy upgrade from base unit to 2x model for triple the capacity
- Rapid, easy setup in the field for least amount of instrument downtime
- Quickly and seamlessly interchange Thermo Scientific or third-party instruments on one stacker

- Does not interfere with the stand-alone use of the instruments

Two Instrument Automation

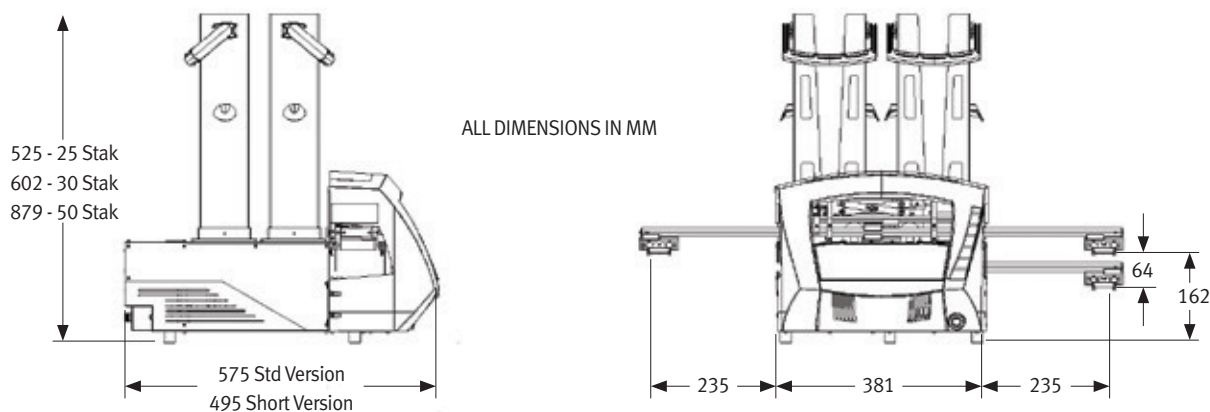
The RapidStak now offers even greater versatility with the ability to automate virtually any two instruments simultaneously with the addition of Thermo Scientific POLARA RS software. The system seamlessly integrates with almost any Thermo Scientific or third-party instrument, so you can perform an endless range of applications and assays.

The Reliable Choice

The RapidStak unit is built upon our heritage of robotics leadership and systems integration expertise, which generate the highest value in your research applications. The RapidStak is as tough and reliable as our proven automation platforms.



Thermo
SCIENTIFIC



RapidStak Specifications

Models	F01350 – RapidStak (2 Staks) F01351 – RapidStak 2x (4 Staks) F01489 – Shortened RapidStak (2 Staks) F01490 – Shortened RapidStak (4 Staks)	
Staks (assume 15mm plates)	F01492 – 25 plate stak F01362 – 30 plate stak F01363 – 50 plate stak	
Compatible Microplate Types	6-22mm, SBS conforming	
Speed and Throughput	6 seconds per plate delivery/retrieval Up to 300 plates per hour 5 seconds restacking per plate (approx.)	
Plate Capacity (10/15 mm plates)	RapidStak – 50 / 75 plates RapidStak 2x – 150 / 225 plates (Above capacities still allow for destination Stak)	
Safety Conformance	CE, CSA, UL	
Power Requirements	110-230 volts, autoswitching	
Upgrades	Field upgradeable to 2x (4-Stak model) Programming Toolkits Polara RS, PC scheduling software Dual instrument loading	3rd party instruments integration Offset telescoping arm Microplate lid handling Custom Stak sizes
Unique Technologies	2-stage cam for plate stack/unstack Bidirectional, telescoping arm for two instrument loading Buffer Nest to pre-queue plates Choreography for simultaneous plate handling	



RapidStak



RapidStak 2x



RapidStak with Multidrop Combi

thermoscientific.com/rapidstak

© 2014 Thermo Fisher Scientific Inc. All rights reserved. All other trademarks are the property of Thermo Fisher Scientific Inc. and its subsidiaries. Specifications, terms and pricing are subject to change. Not all products are available in all countries. Please consult your local sales representative for details.

USA/Canada +1 603 595 0505
USA toll free 800 345 0206
Austria +43 1 801 40 0
Belgium +32 53 73 42 41
Finland +358 9 3291 0200
France +33 2 2803 2000
Germany national toll free 08001-536 376
Germany international +49 6184 90 6940

Italy +39 02 95059 552
Netherlands +31 76 571 4440
Nordic/Baltic countries +358 9 329 100
Russia/CIS +7 (495) 739 76 41
Spain/Portugal +34 93 223 09 18
Switzerland +41 44 454 12 12
UK/Ireland +44 870 609 9203
Australia +613 9757 4474

China +86 21 6865 4588 or +86 10 8419 3588
China toll free 800-810-5118, 400-650-5118
India +91 22 6716 2200
Japan +81-3-5826-1616
Korea +82 11 796 7771
Other Asian countries +65 6872 9717
Countries not listed: +49 6184 90 6940 or +33 2 2803 2000

Thermo
SCIENTIFIC

Part of Thermo Fisher Scientific