

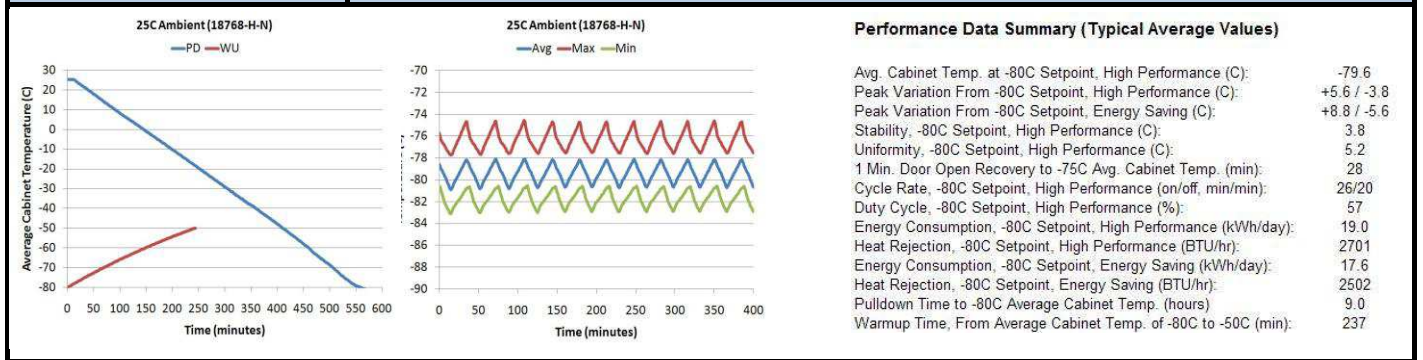
Technical Data Sheet

Thermo Scientific Revco Ultra-Low Temperature Upright Freezer

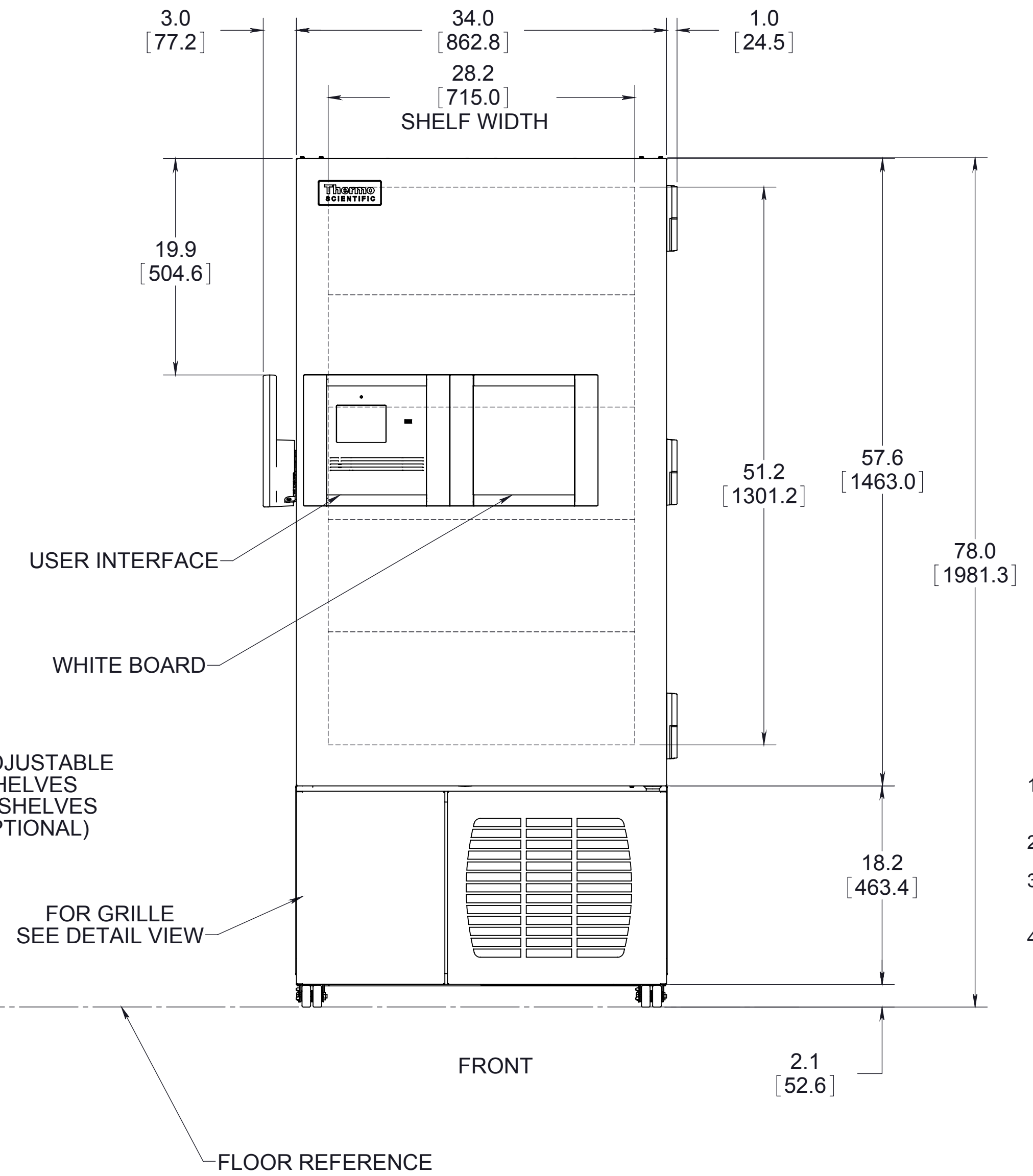
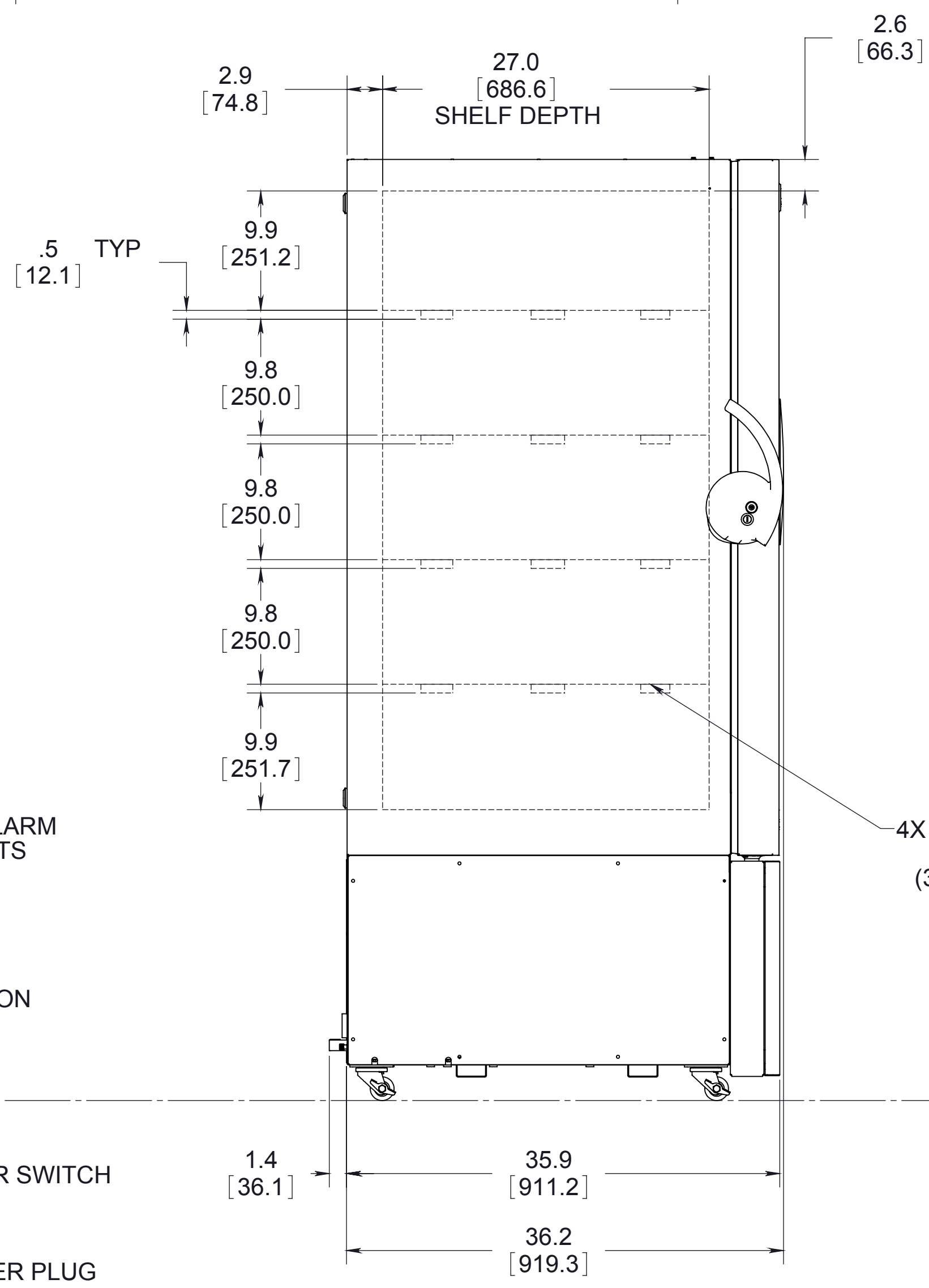
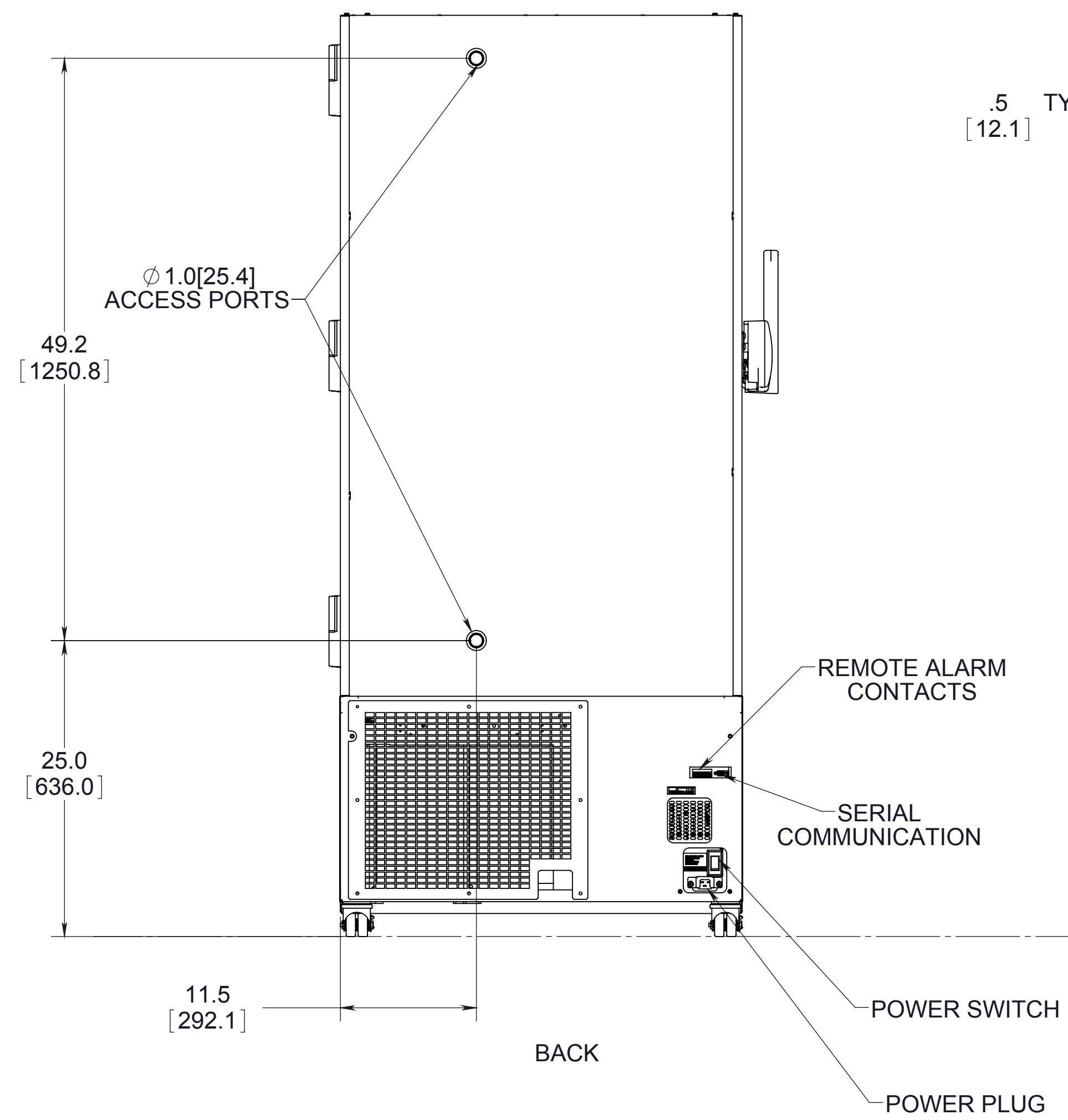
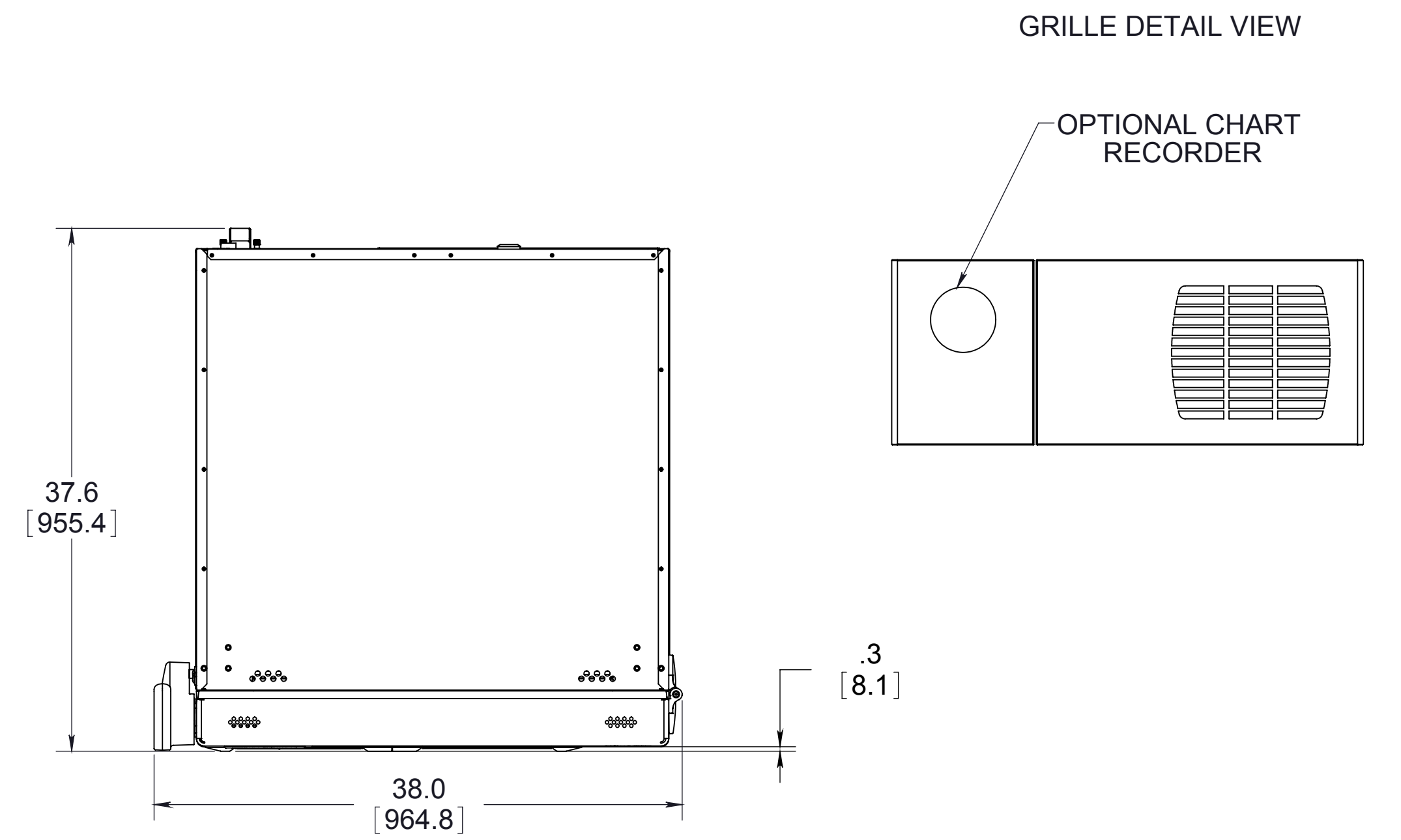
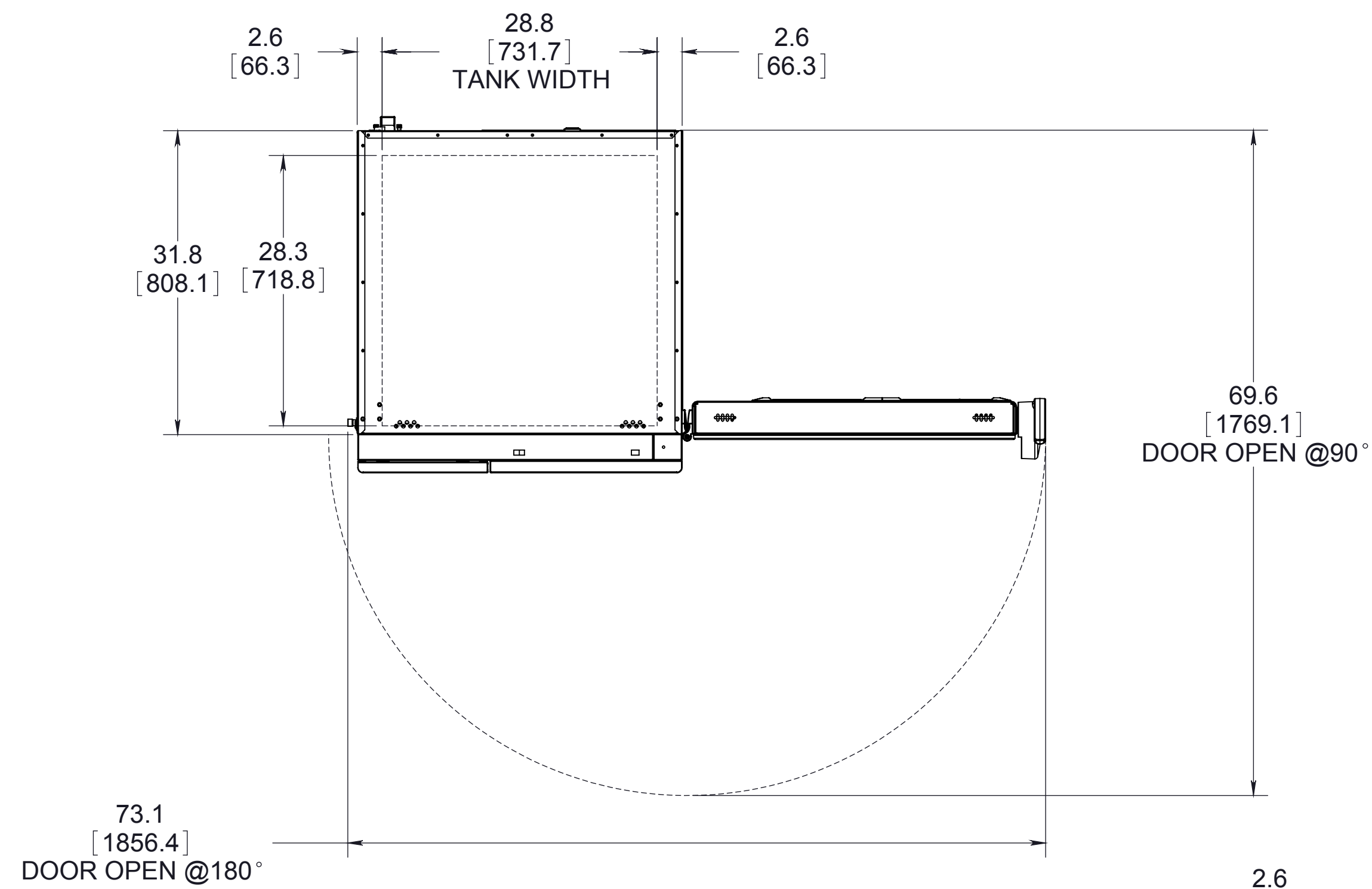
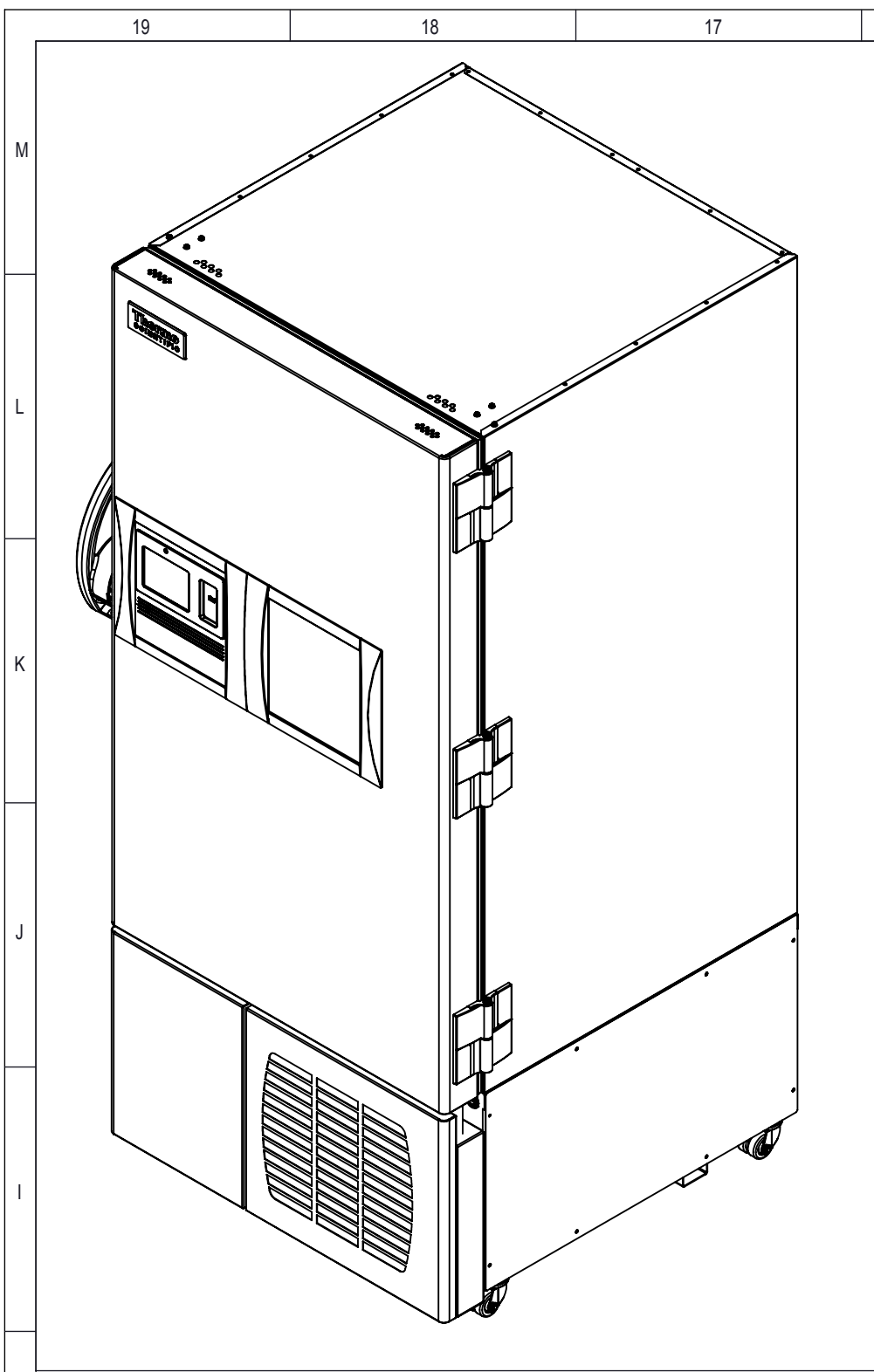
Revision-3

Thermo Fisher Scientific, Asheville, North Carolina

Specifications	Model Number
	Thermo Scientific Revco UxF50086D
Application, Rating and Electrical Data	Application, Rating and Electrical Data
Application	Storage of General (non-flammable) Laboratory Materials
Storage Volume	682 liters / 24.1 cu. ft., 500 Standard 2" Boxes
Temperature Rating	-50°C to -85°C @ 32 °C(90°F) Ambient
Electrical Power	208V/230V, 60 Hz, 1 Phase
Instrument Rated Current	9.0 FLA
Building Supply Rating	20.0A dedicated grounded circuit. Protected by circuit breaker rated for inductive loads
Power Plug/Power Cord Length	NEMA 6-15P, 10 Feet or 3.0 Meters
Agency Listings	UL, cUL
Application Environment	Indoor Use Only; Non-Corrosive, Non-Flammable, Non-Explosive, Good Air Ventilation, 15C - 32C (59F - 90F)
Cooling Water Condition	N/A
Lifetime of Product	10 years
Refrigeration Configuration	Refrigeration Configuration
Refrigeration System	Industrial-Rated Two Stage Cascade System
Compressor / Number	1 HP Hermetic Compressor for Low Temperature Application / 2
Condenser Type/Number	Enhanced Finned-Tube and Forced-Air Cooled / 1
Expansion Device	Capillary Tube On Both Cascade Stages
Evaporator Type	Cold Wall With Enhanced Heat Transfer Treatment
Defrost Method	Manual Defrost
Refrigerant Charge/Flammability	CFC/HCFC-Free Environmentally Safe Refrigerant Mixtures / Non-Flammable in both stages
Controller/Electrical System Configuration and Features	Controller/Electrical System Configuration and Features
Controller Level	Eye Level
Power Switch	On-Off with Circuit Breaker
Controller Type	Microprocessor Control with Touch Screen Input and Display. Includes USB System Data Retrieval
Setpoint Security	Yes
Compressor Safe Guard	High Temperature Warning/Current and Temperature Protection/Logic Protection
Control Sensor	Single RTD (1000 ohm Platinum RTD)
RS232/Remote Alarm Terminals	RS485/4-20mA output
Adjustable Warm/Cold Alarms	Fully Adjustable
Auto-Voltage Safeguard	Buck/Boost System
Dimensions and Construction	Dimensions and Construction
Interior Dimensions (H x D x W)	1.30 x 0.72 x 0.73 m (51.2 x 28.3 x 28.8 in.)
Exterior Dimensions (H x D x W)	1.98 x 0.96 x 0.97 m (78.0 x 37.6 x 38.0 in.)
Insulation	High R-value Vacuum Insulation Panels and High Density Water-Blown Polyurethane Foam
Perimeter Heater	Silicone-Based High Performance Seal Gasket with Electrical Door Perimeter Heater
Shelves / Capacity	3 or 4 Stainless Steel Shelves Adjustable In 1" Increments. Max. Cap. per Shelf: 91.7 kg (205 lbs.)
All-Direction Casters	Standard with Locks
Ship Weight	Approximately 355 kg (782 lbs.)
Other Options	LN2 or CO2 Back Up System, HID Controlled Access, SMS Text, Chart Recorder, 4 or 5 Inner Doors



- 1) Performance is nominal and individual units may vary.
- 2) Freezer performance will differ due to product amount, product size and operating conditions.
- 3) Continuous product enhancements may, without notice, result in amendments or omissions to this specification. Thermo Scientific cannot accept responsibility for damage, injury, loss or expenses resulting from misapplication of the information herein.



1. SYMBOLS, DESIGNATIONS AND GENERAL DRAWING METHODS ENGWI002
2. ALL COMPONENTS SHOULD BE RoHS COMPLIANT
3. BASIC DIMENSION TOLERANCE UNLESS OTHERWISE SPECIFIED: .X = ±0.100"
4. DUAL DIMENSION IS INCH OVER METRIC.

REV.	ECN #	DATE	DESCRIPTION
A	65469	2011-12-07	UPDATED GAP BETWEEN THE SHELVES
-	60347	2011-06-30	NEW RELEASE

REVISIONS	
ThermoFisher Scientific	THE INFORMATION CONTAINED HEREIN IS THE PROPRIETARY DATA OF THERMO FISHER SCIENTIFIC. IT IS NOT TO BE REPRODUCED OR DISCLOSED IN WHOLE OR IN PART WITHOUT PRIOR WRITTEN CONSENT OF THERMO FISHER SCIENTIFIC. DO NOT SCALE THIS DRAWING.

TITLE	FREEZER UNIT	DWG. NO.	315100G03
	ULT 500		
3rd ANGLE PROJECTION			
SIZE D	SHEET 1 OF 1		