

MATERIALS	
CLOSURE	PP
FUNNEL BODY	PP
STOPCOCK ASSY	TEFLON TFE
TIP	TEFLON FEP

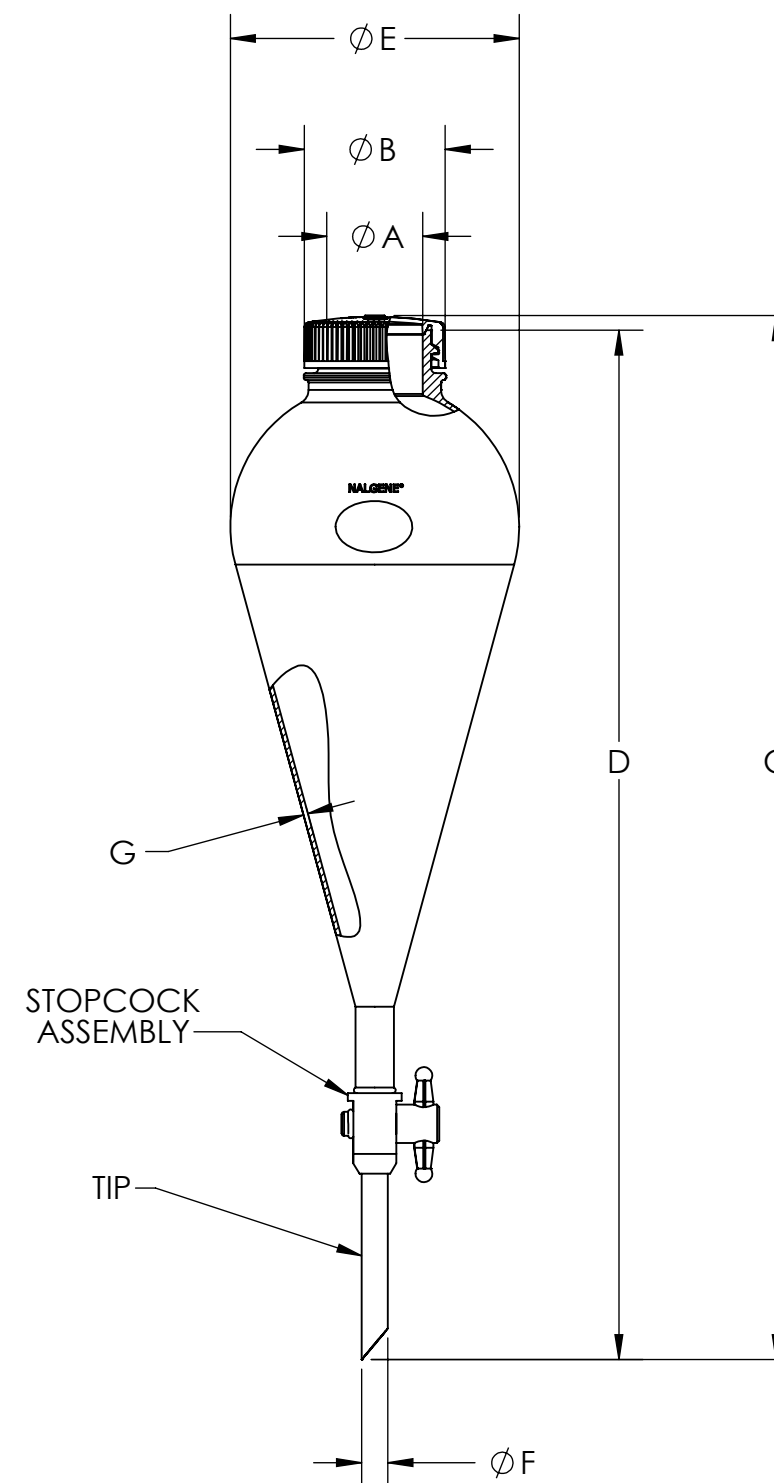
CATALOG NUMBER	4300-0125	
NOMINAL VOL. (mL)	125	
NOM. BRIM CAPACITY (mL)	145	
NOMINAL WEIGHT (g)	50	
	INCH	MM (REF)
A (NECK ID)	.77	19.6
B (CLOSURE OD)	1.26	32.0
C (HEIGHT W/CLOSURE)	10.15	257.8
D (HEIGHT W/O CLOSURE)	10.02	254.5
E (OD AT BULB AREA)	2.24	56.9
F (TUBING OD)	.34	8.6
G (MIN WALL THICKNESS)	.02	0.5

CATALOG NUMBER	4300-0250	
NOMINAL VOL. (mL)	250	
NOM. BRIM CAPACITY (mL)	320	
NOMINAL WEIGHT (g)	75	
	INCH	MM (REF)
A (NECK ID)	.93	23.6
B (CLOSURE OD)	1.46	37.1
C (HEIGHT W/CLOSURE)	12.65	321.3
D (HEIGHT W/O CLOSURE)	12.49	317.2
E (OD AT BULB AREA)	3.0	76.2
F (TUBING OD)	.34	8.6
G (MIN WALL THICKNESS)	.02	0.5

CATALOG NUMBER	4300-0500	
NOMINAL VOL. (mL)	500	
NOM. BRIM CAPACITY (mL)	650	
NOMINAL WEIGHT (g)	100	
	INCH	MM (REF)
A (NECK ID)	1.23	31.2
B (CLOSURE OD)	1.83	46.5
C (HEIGHT W/CLOSURE)	13.65	346.7
D (HEIGHT W/O CLOSURE)	13.45	341.6
E (OD AT BULB AREA)	3.76	95.5
F (TUBING OD)	.34	8.6
G (MIN WALL THICKNESS)	.02	0.5

CATALOG NUMBER	4300-1000	
NOMINAL VOL. (mL)	1000	
NOM. BRIM CAPACITY (mL)	1160	
NOMINAL WEIGHT (g)	130	
	INCH	MM (REF)
A (NECK ID)	1.62	41.1
B (CLOSURE OD)	2.26	57.4
C (HEIGHT W/CLOSURE)	14.59	370.6
D (HEIGHT W/O CLOSURE)	14.37	365.0
E (OD AT BULB AREA)	4.70	119.4
F (TUBING OD)	.34	8.6
G (MIN WALL THICKNESS)	.02	0.5

1. ALL DIMENSIONS ARE NOMINAL AND IN INCHES AND MILLIMETERS UNLESS OTHERWISE NOTED.
2. THIS IS NOT A PRODUCTION DRAWING, BUT IS FOR INFORMATIONAL PURPOSES ONLY, AND IS SUBJECT TO CHANGE WITHOUT NOTICE.



SPECS ON BACK

NOT TO SCALE

CONFIDENTIAL

THIS PRODUCT SPECIFICATION SHEET CONTAINS CONFIDENTIAL AND/OR PROPRIETARY INFORMATION AND IS TO BE USED ONLY FOR THE EXPRESSED PURPOSES AGREED UPON BY AN AUTHORIZED OFFICER OF THERMO FISHER SCIENTIFIC.

ThermoFisher
SCIENTIFIC

Thermo Fisher Scientific
75 Panorama Creek Drive
Rochester, NY 14625-2385, USA

MADE
PELYCHATY
CKTD
JC

APP'D
1/13/17
PWC

PSS 4300-XXXX

REV.
0117

DESCRIPTION:

SEPARATORY FUNNEL