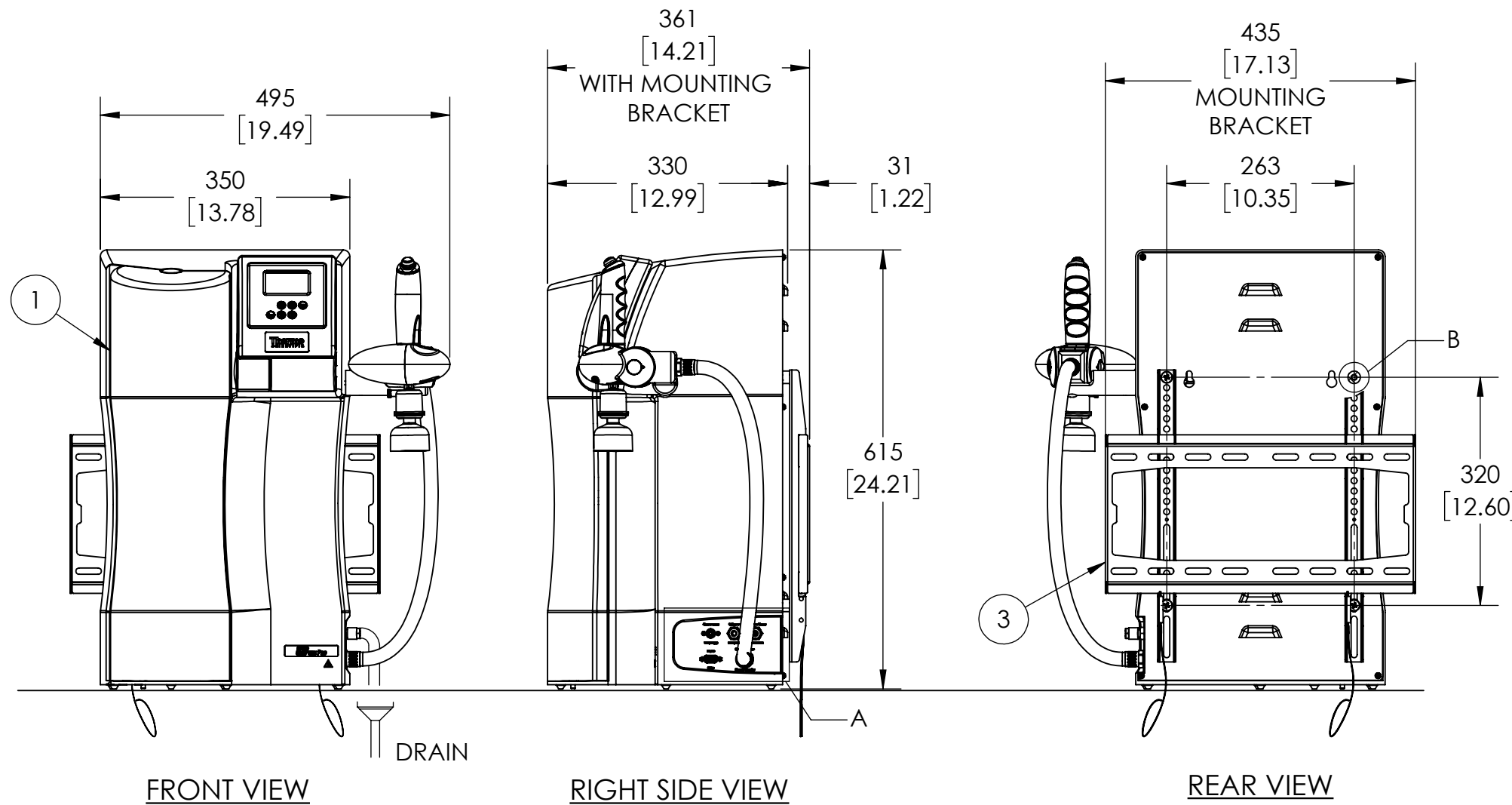
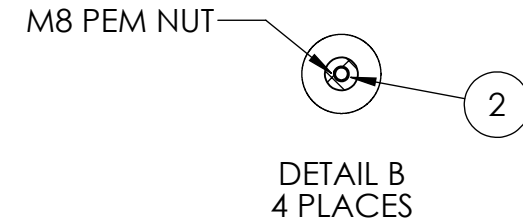


REVISIONS			
REV.	DESCRIPTION	DATE	CHANGED BY
A	INITIAL RELEASE	11/14/2014	M.A
B	UPDATED REAR PANEL WITH MOUNTING BRACKET & HOLES; UPDATED PER STANDARDS	03/16/2020	TFI

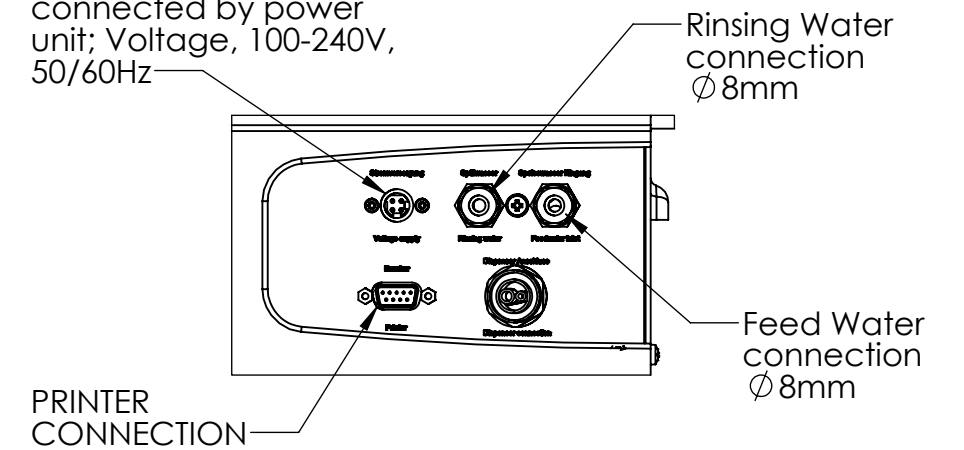


REAR PANEL MOUNTING- GENPURE PRO



CONNECTION PLATE GENPURE PRO

Voltage Supply, 24V DC connected by power unit; Voltage, 100-240V, 50/60Hz



- LEGEND:
1. BARNSTEAD GENPURE PRO ULTRAPURE WATER PURIFICATION SYSTEM
 2. HOLES ARE FOR OPTIONAL WALL MOUNTING OF WATER SYSTEM WITH WALL MOUNTING BRACKET, 50157885
 3. OPTIONAL WALL MOUNTING BRACKET, 50157885

ELECTRICAL REQUIRMENTS	100-240 V, 50/60Hz, 2-1A, UPTO 1.5M (5 FEET) FROM UNIT
WATER CONNECTIONS	3/4" NPT WITH MANUAL SHUT OFF VALVE RECOMMENDED
MIN/MAX INLET PRESSURE	2-87 PSI(0.1-6 BAR)
RECOMMENDED FEED TEMPERATURE	2-40 °C
RECOMMENDED FEED WATER TYPE	PURE WATER (TYPE 2 WATER)
DRAIN	AN ATMOSPHERIC DRAIN MUST BE AVAILABLE WITHIN 1.5M(5 FEET) OF THE UNIT
UNIT DRY WEIGHT	53 Lbs (24 KG)

NOTES:

1. DUAL DIMENSIONS ARE METRIC OVER INCH
2. ENSURE THAT THERE IS ADEQUATE SPACE ALL AROUND THE UNIT APPROX. 30 CM (11.8 INCH) FOR CONSUMABLE REPLACEMENT

CONFIDENTIAL INFORMATION THIS DRAWING AND ALL INFORMATION AND FEATURES CONTAINED HEREIN ARE AND SHALL REMAIN THE EXCLUSIVE PROPERTY OF THERMO FISHER SCIENTIFIC. SHALL BE HELD CONFIDENTIAL, AND SHALL NOT BE REPRODUCED, COPIED, OR OTHERWISE DISPOSED OF, IN WHOLE OR IN PART, WITHOUT THE PRIOR WRITTEN PERMISSION OF THERMO FISHER SCIENTIFIC.		DO NOT SCALE DRAWING	DATE	ThermoFisher 22 Alpha Road Chelmsford, MA 01824 SCIENTIFIC
CREATED BY AVADIEVA	10/08/2014	CHECKED BY OPP	10/08/2014	
RoHS COMPLIANCE ALL PARTS, COMPONENTS, MATERIALS AND PROCESSES MUST BE CERTIFIABLY RoHS COMPLIANT ACCORDING TO CURRENT WORLD STANDARDS. ANY DEVIATION FROM THE RoHS STANDARD MUST BE SUBMITTED TO THERMO FISHER SCIENTIFIC ENGINEERING FOR APPROVAL PRIOR TO THE MANUFACTURING, PURCHASING AND ASSEMBLY OF ANY AND ALL PARTS, COMPONENTS, MATERIALS AND PROCESSES.		UNLESS OTHERWISE SPECIFIED, SURFACE ROUGHNESS SHALL BE: <input checked="" type="checkbox"/>	THIRD ANGLE PROJECTION	TITLE DIMENSION DRAWING, GENPURE PRO
		SIZE B	DWG. NO. MB124	REV. B
		SCALE: 1:8	SHEET 1 OF 1	