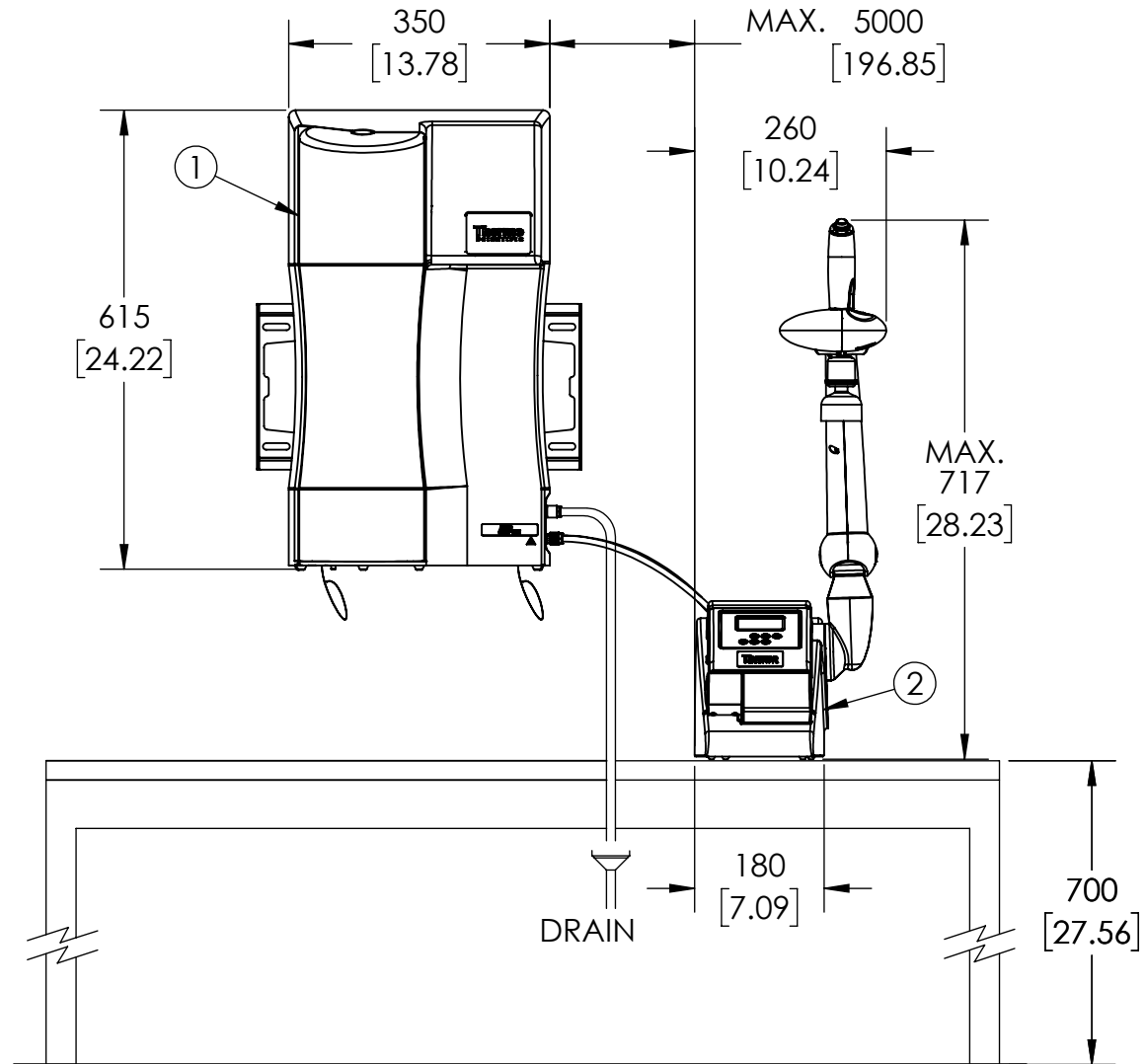
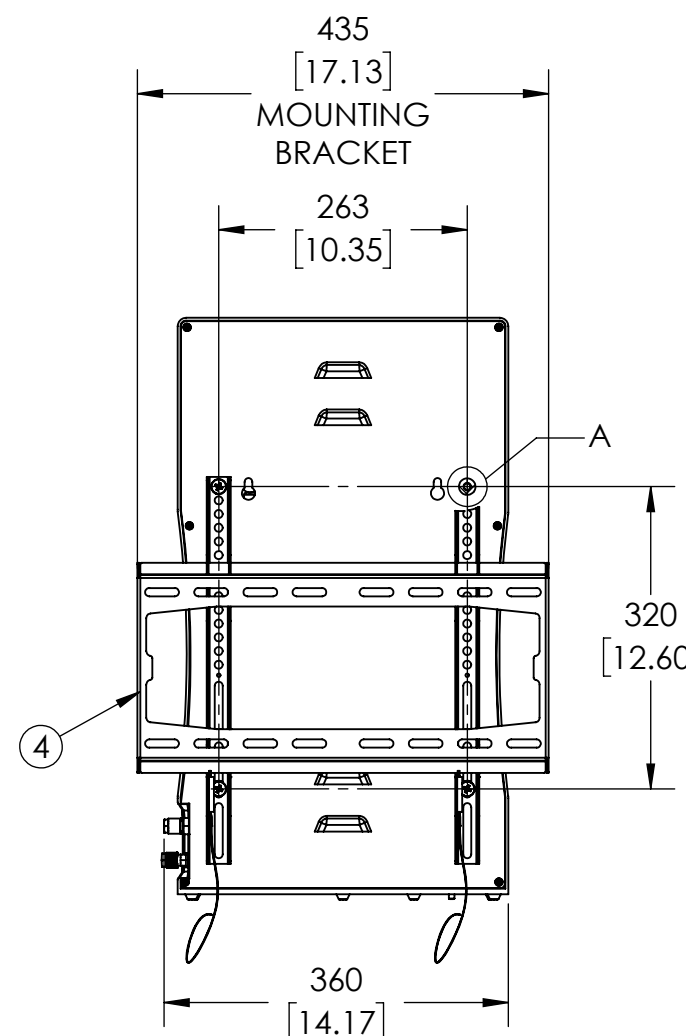


8 7 6 5 4 3 2 1

REVISIONS			
REV.	DESCRIPTION	DATE	CHANGED BY
A	INITIAL RELEASE	11/14/2014	M.A
B	UPDATED REAR PANEL WITH MOUNTING BRACKET & HOLES; UPDATED PER STANDARDS	03/16/2020	TFI

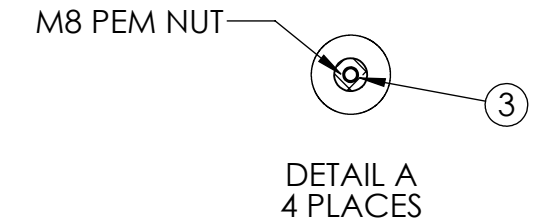


FRONT VIEW

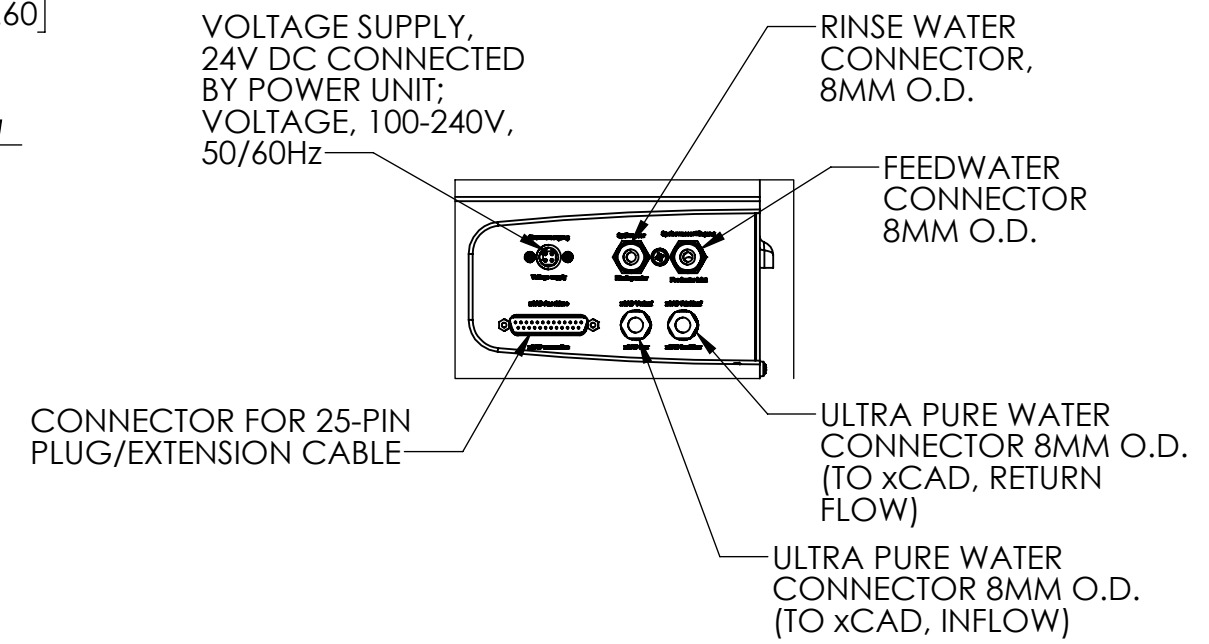


REAR VIEW

REAR PANEL MOUNTING- GENPURE xCAD PLUS



CONNECTION PLATE BARNSTEAD GENPURE xCAD PLUS



- LEGEND:
1. BARNSTEAD GENPURE xCAD PLUS WATER PURIFICATION SYSTEM
  2. BARNSTEAD xCAD BENCH MOUNTED REMOTE DISPENSER
  3. HOLES ARE FOR OPTIONAL WALL MOUNTING OF WATER SYSTEM WITH WALL MOUNTING BRACKET, 50157885
  4. OPTIONAL WALL MOUNTING BRACKET, 50157885

ELECTRICAL REQUIRMENTS	100-240 V, 50/60Hz, 2-1A, UPTO 1.5M(5 FEET) FROM UNIT
WATER CONNECTIONS	3/4" NPT WITH MANUAL SHUT OFF VALVE RECOMMENDED
MIN/MAX INLET PRESSURE	2-87 PSI(0.1-6 BAR)
RECOMMENDED FEED TEMPERATURE	2-40 °C
RECOMMENDED FEED WATER TYPE	PURE WATER (TYPE 2 WATER)
DRAIN	AN ATMOSPHERIC DRAIN MUST BE AVAILABLE WITHIN 1.5M(5 FEET) OF THE UNIT
UNIT DRY WEIGHT	GENPURE UNIT 24-25 KG(52 - 54 Lbs) xCAD DISPENSER BENCH 12 KG(26.5 Lbs)

- NOTES:
1. DUAL DIMENSIONS ARE METRIC OVER INCH
  2. ENSURE THAT THERE IS ADEQUATE SPACE ALL AROUND THE UNIT APPROX. 30 CM(11.8INCH) FOR CONSUMABLE REPLACEMENT

CONFIDENTIAL INFORMATION		DO NOT SCALE DRAWING	DATE	
THIS DRAWING AND ALL INFORMATION AND FEATURES CONTAINED HEREIN ARE AND SHALL REMAIN THE EXCLUSIVE PROPERTY OF THERMO FISHER SCIENTIFIC. SHALL BE HELD CONFIDENTIAL, AND SHALL NOT BE REPRODUCED, COPIED, OR OTHERWISE DISPOSED OF, IN WHOLE OR IN PART, WITHOUT THE PRIOR WRITTEN PERMISSION OF THERMO FISHER SCIENTIFIC.		CREATED BY AVADIEVA	10/08/2014	
RoHS COMPLIANCE		CHECKED BY OPP	10/08/2014	TITLE DIMENSION DRAWING, GENPURE xCAD PLUS(BENCH VERSION)
ALL PARTS, COMPONENTS, MATERIALS AND PROCESSES MUST BE CERTIFIABLY RoHS COMPLIANT ACCORDING TO CURRENT WORLD STANDARDS. ANY DEVIATION FROM THE RoHS STANDARD MUST BE SUBMITTED TO THERMO FISHER SCIENTIFIC ENGINEERING FOR APPROVAL PRIOR TO THE MANUFACTURING, PURCHASING AND ASSEMBLY OF ANY AND ALL PARTS, COMPONENTS, MATERIALS AND PROCESSES.		UNLESS OTHERWISE SPECIFIED, SURFACE ROUGHNESS SHALL BE: <input checked="" type="checkbox"/>	THIRD ANGLE PROJECTION	SIZE B
				DWG. NO. MB121
				REV. B
		SCALE: 1:8		SHEET 1 OF 1

8 7 6 5 4 3 2 1