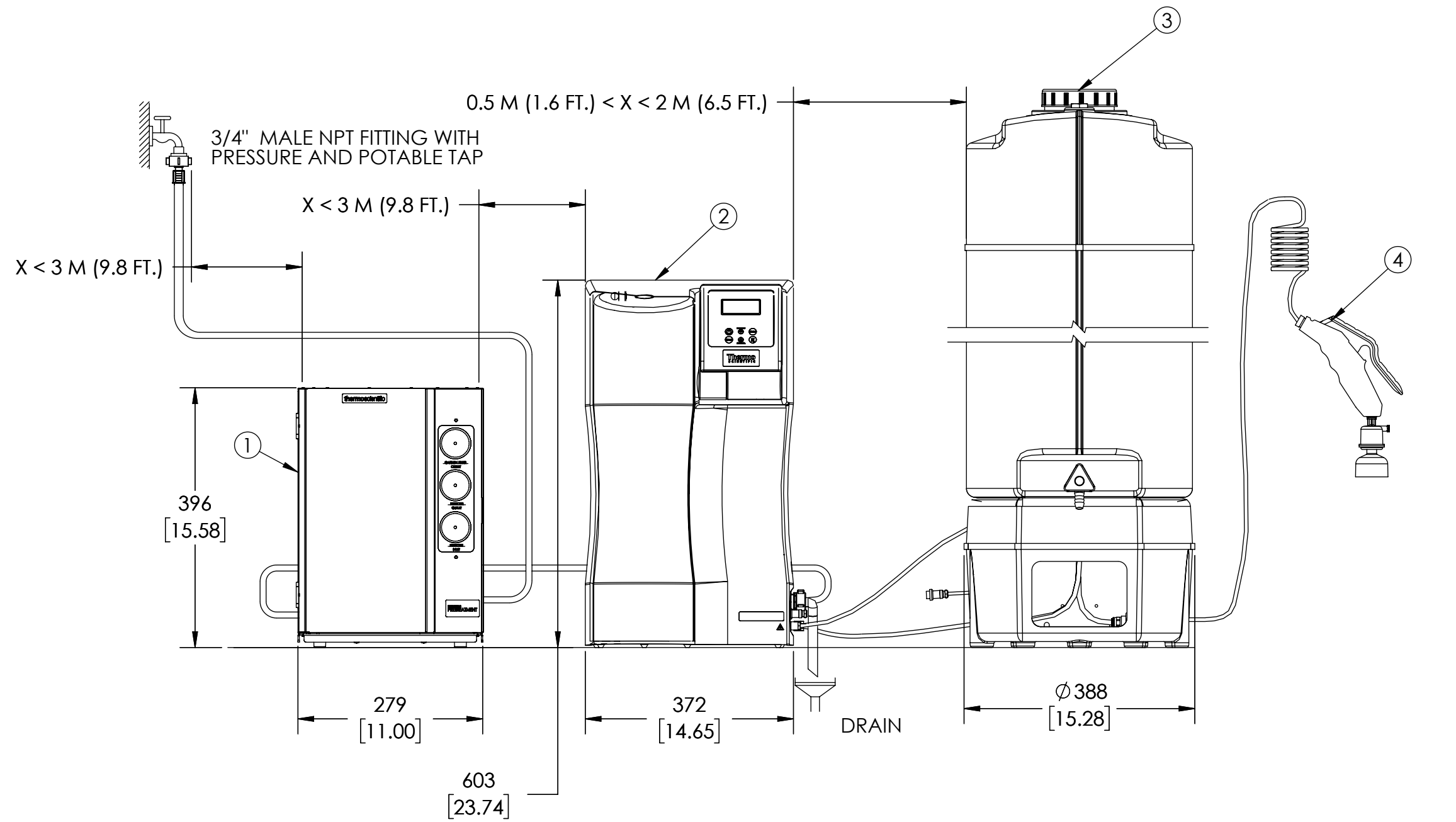
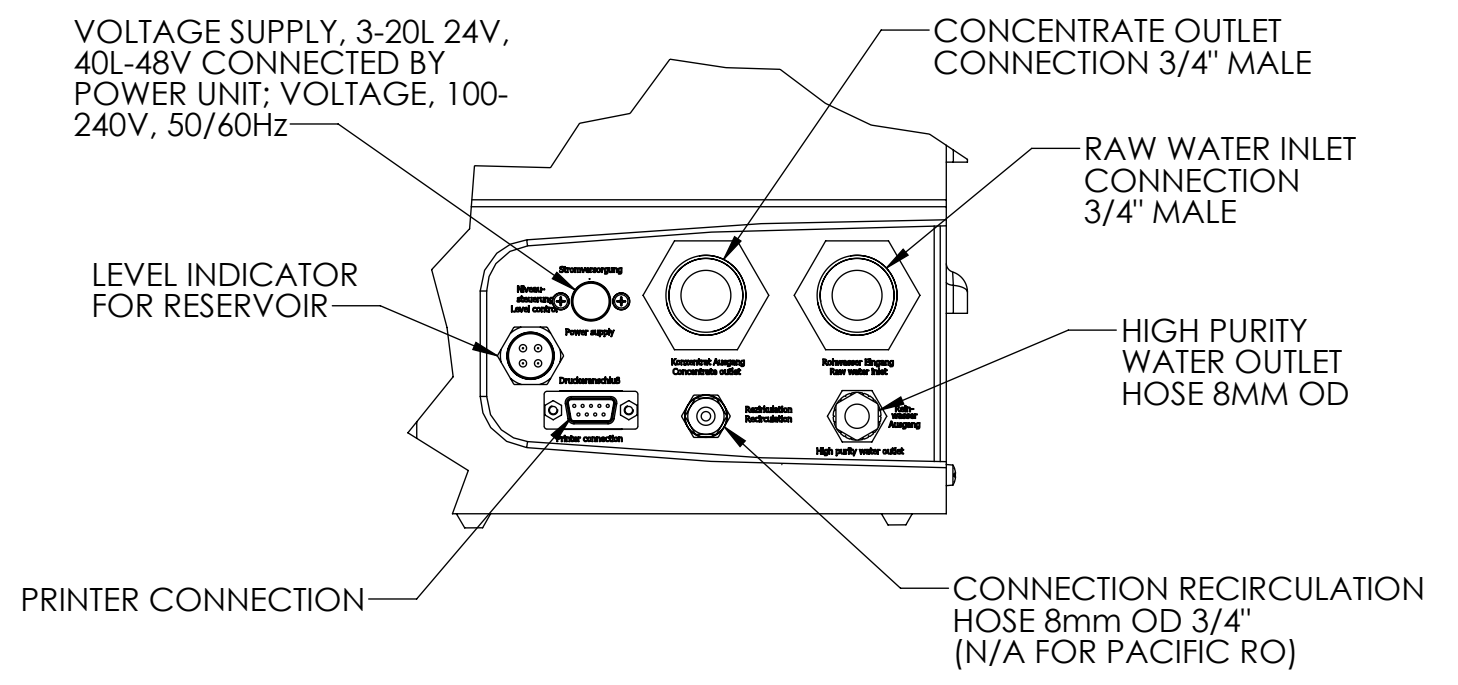


REVISIONS			
REV.	DESCRIPTION	DATE	CHANGED BY
A	UPDATED DRAWING	11/14/2014	M.A.
B	UPDATED DRAWING	11/26/2014	M.A.
C	UPDATED WITH PRETREATMENT	06/26/2015	M.A.
D	UPDATED REAR PANEL WITH MOUNTING BRACKET & HOLES; UPDATED DRAWING PER STANDARDS; PRE TREATMENT 50157886 WAS 09.4000	03/20/2020	TFI

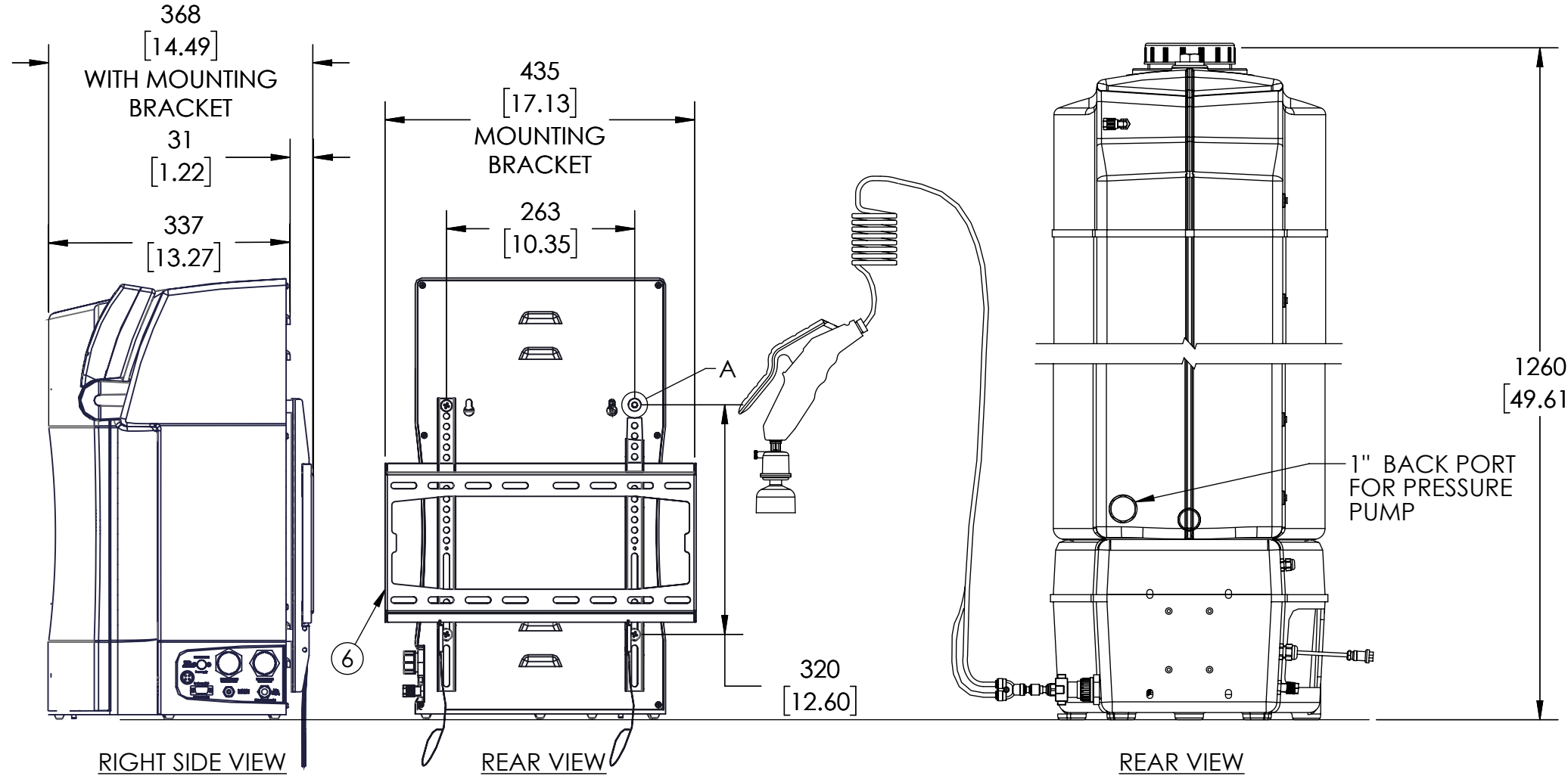
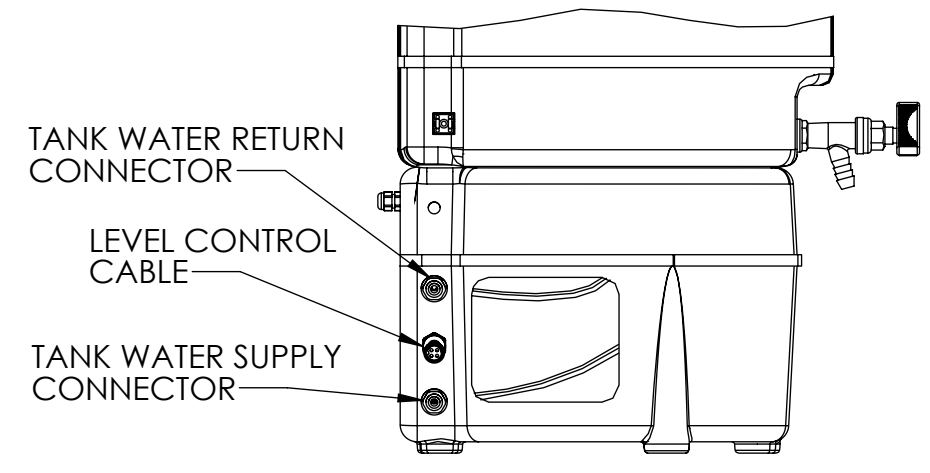


- LEGEND:
- BARNSTEAD PRETREATMENT FOR BARNSTEAD PACIFIC TII/RO WATER SYSTEMS (ITEM NO. 50157886)
 - BARNSTEAD PACIFIC TII/RO PURE WATER SYSTEM
 - BARNSTEAD 100L RESERVOIR FOR PACIFIC TII/RO WATER SYSTEMS
 - OPTIONAL HAND DISPENSER CAN BE UTILIZED UP TO 3M (108") FROM WATER SYSTEM
 - HOLES FOR OPTIONAL WALL MOUNTING OF WATER SYSTEM WITH WALL MOUNTING BRACKET, 50157885
 - OPTIONAL WALL MOUNTING BRACKET, 50157885

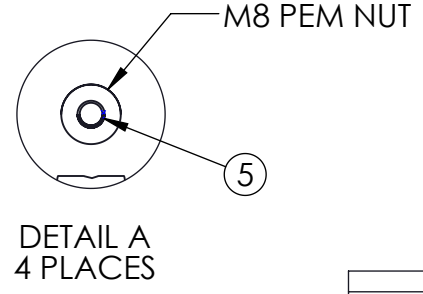
CONNECTION PLATE PACIFIC



CONNECTIONS FROM TANK



ELECTRICAL REQUIRMENTS	100-240 V, 50/60Hz, 2-1A, UPTO 1.5M(5 FEET) FROM UNIT
WATER CONNECTIONS	3/4" NPT WITH MANUAL SHUT OFF VALVE RECOMMENDED
MIN/MAX INLET PRESSURE	29-87 PSI (2-6 BAR)
RECOMMENDED FEED TEMPERATURE	2-40°C
RECOMMENDED FEED WATER TYPE	TAP/POTABLE WATER
DRAIN	AN ATMOSPHERIC DRAIN MUST BE AVAILABLE WITHIN 1.5M(5 FEET) OF THE UNIT
UNIT WEIGHT	PACIFIC UNIT 23 KG (51 Lbs) DRY, 25 KG (55 Lbs) W/WATER 100 L TANK 15 KG (33 Lbs) DRY, 115 KG (254 Lbs) W/WATER



- NOTES:
- DUAL DIMENSIONS ARE METRIC OVER INCH
 - ENSURE THAT THERE IS ADEQUATE SPACE ALL AROUND THE UNIT APPROX. 30 CM (11.8 INCH) FOR CONSUMABLE REPLACEMENT

<small>CONFIDENTIAL INFORMATION</small> THIS DRAWING AND ALL INFORMATION AND FEATURES CONTAINED HEREIN ARE AND SHALL REMAIN THE EXCLUSIVE PROPERTY OF THERMO FISHER SCIENTIFIC. SHALL BE HELD CONFIDENTIAL, AND SHALL NOT BE REPRODUCED, COPIED, OR OTHERWISE DISPOSED OF, IN WHOLE OR IN PART, WITHOUT THE PRIOR WRITTEN PERMISSION OF THERMO FISHER SCIENTIFIC.		<small>DO NOT SCALE DRAWING</small> DATE: 09/11/2014 DESIGNED BY: AVADIEVA CHECKED BY: OPP DATE: 09/11/2014	ThermoFisher SCIENTIFIC 22 Alpha Road Chelmsford, MA 01824
<small>RHHS COMPLIANCE</small> ALL PARTS, COMPONENTS, MATERIALS AND PROCESSES MUST BE CERTIFIABLY RHHS COMPLIANT ACCORDING TO CURRENT WORLD STANDARDS. ANY DEVIATION FROM THE RHHS STANDARD MUST BE SUBMITTED TO THERMO FISHER SCIENTIFIC ENGINEERING FOR APPROVAL PRIOR TO THE MANUFACTURING, PURCHASING AND ASSEMBLY OF ANY AND ALL PARTS, COMPONENTS, MATERIALS AND PROCESSES.		<small>UNLESS OTHERWISE SPECIFIED, SURFACE ROUGHNESS SHALL BE:</small> THIRDO ANGLE PROJECTION	TITLE: DIMENSION DRAWING PRETREATMENT, PACIFIC, 100L. TANK SIZE: C DWG. NO.: MB119 REV: D SCALE: 1:1 SHEET 1 OF 1